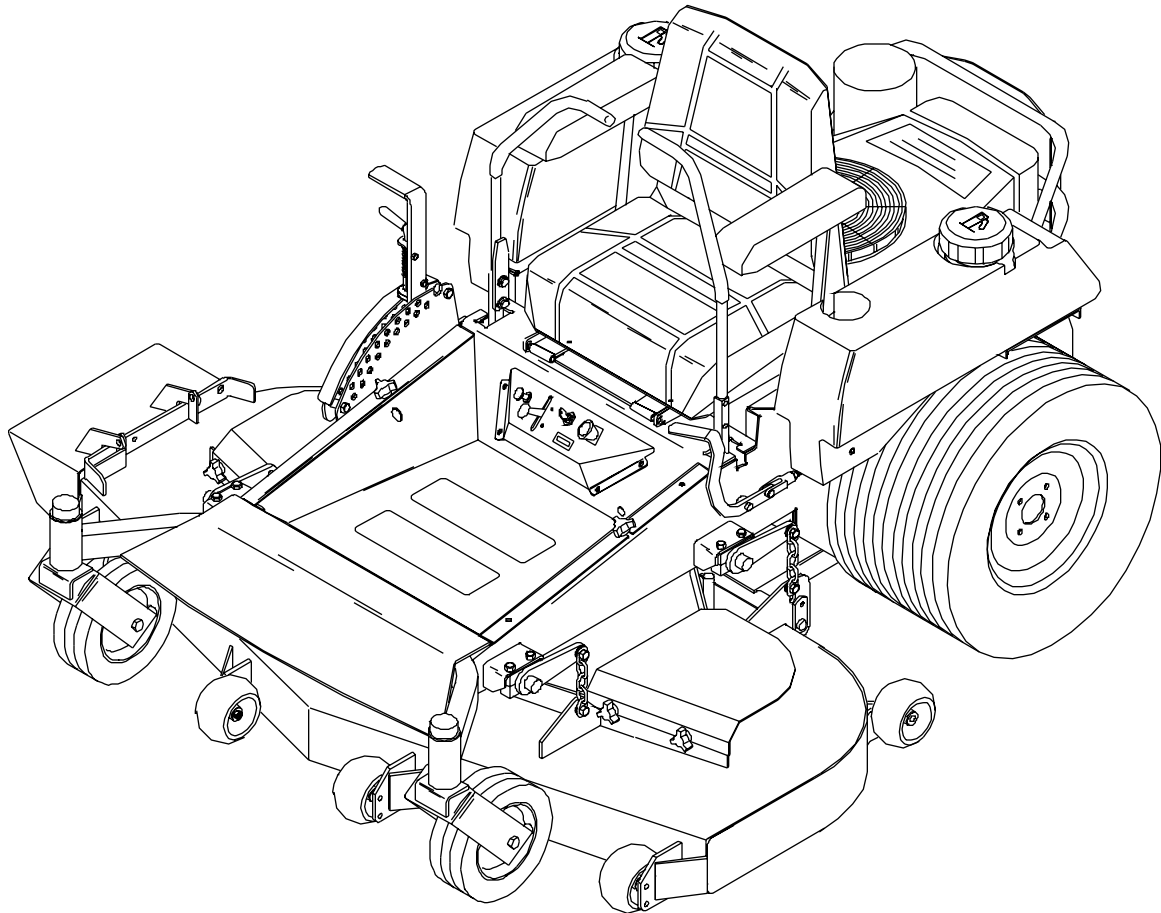


Husqvarna

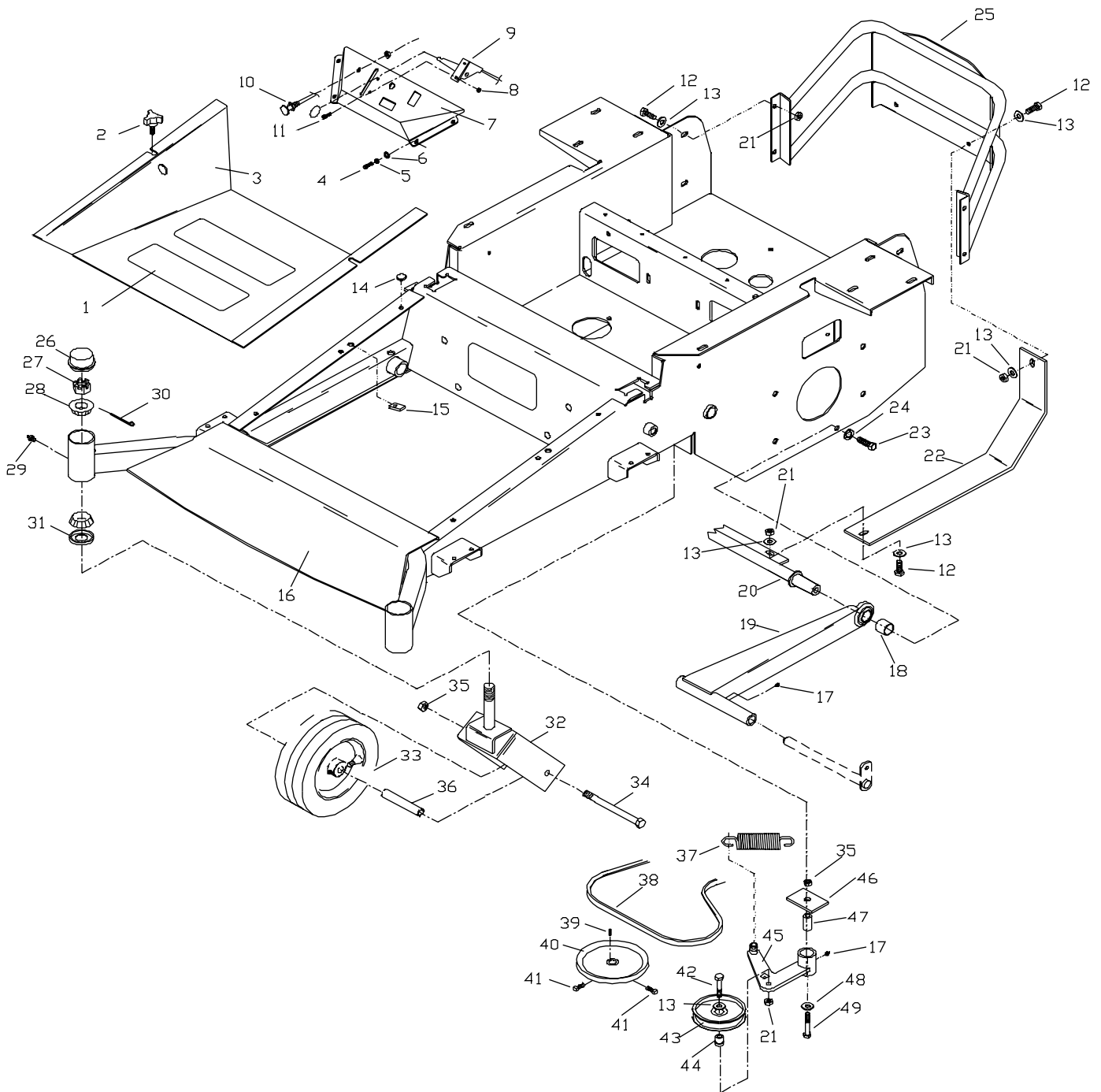


Parts manual

Models:

968999159 / ZTH5221KAA
968999160 / ZTH5223KAA
968999161 / ZTH5223KOA
968999162 / ZTH5223KOLA
968999163 / ZTH5225KOA
968999165 / ZTH6125KOA
968999166 / ZTH6125KAA
968999171 / ZTH6126KOA
968999173 / ZTH5225KAA

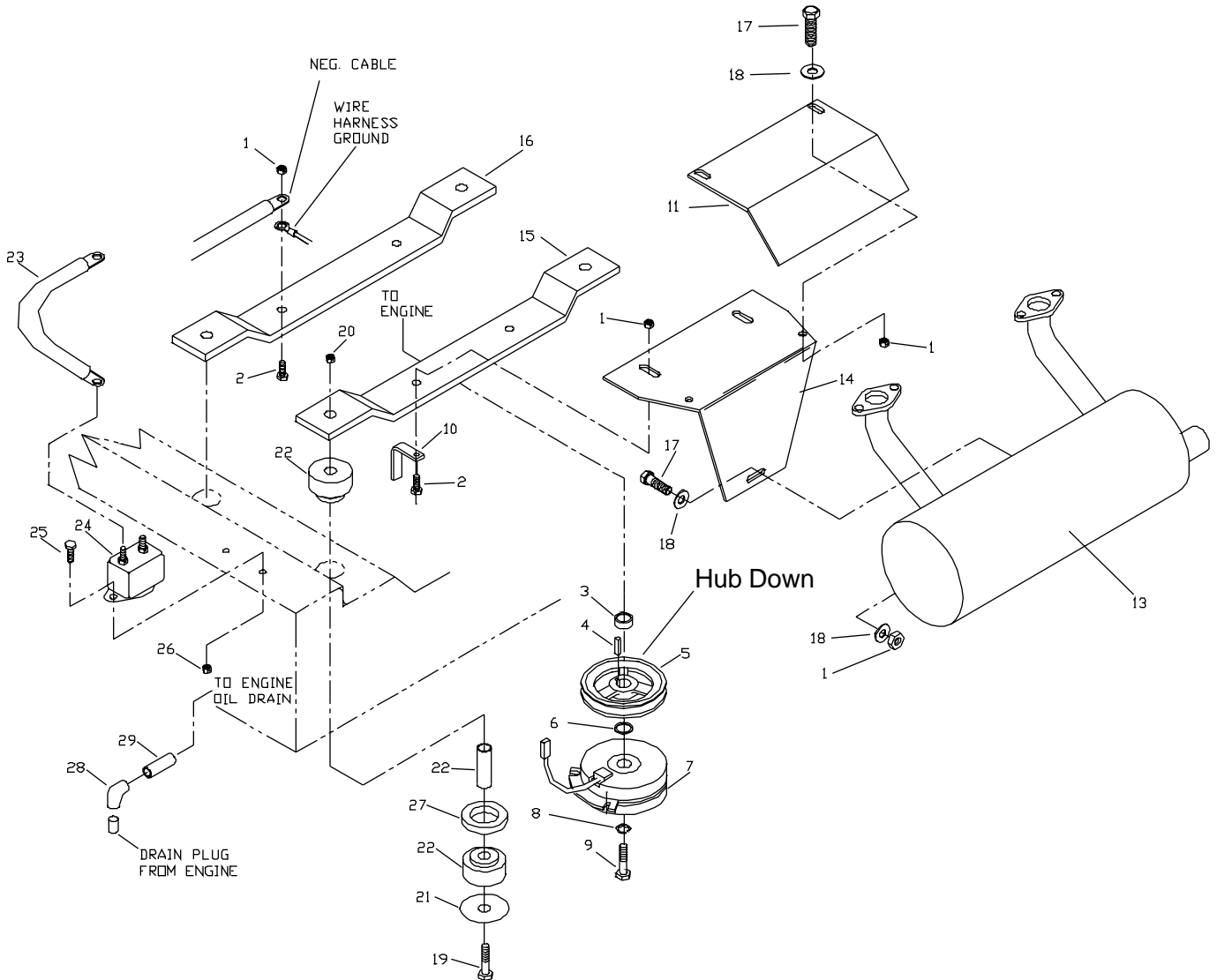
MAIN FRAME ASSEMBLY



MAIN FRAME ASSEMBLY

ITEM	PART NO.	QTY.	DESCRIPTION	ITEM	PART NO.	QTY.	DESCRIPTION
1	539977778	3	ANTI-SKID PAD	29	539101474	2	DRIVE IN ZERK
2	539104411	2	KNOB W/ STUD	30	539102889	2	COTTER PIN 1/8 X 2"
3	539104721	1	FOOT PLATE	31	539102851	2	SEAL
4	539990580	4	HCS 1/4C X 3/4"	32	539104571	2	YOKE, CASTER
5	539990052	4	1/4" LOCK WASHER	33	539104572	2	TIRE & WHEEL ASM.
6	539990598	4	1/4" FLAT WASHER		539104573	1	RIM
7	539105151	1	CONSOLE W/ DECAL		539102546	1	TIRE
8	539976977	2	# 10-24 NYLOC NUT		539976997	1	ZERK
9	539102732	1	THROTTLE CABLE		539102484	2	FLANGE BEARING
10	539102733	1	CHOKE CABLE		539912234	1	AIR VALVE
11	539990411	2	#10-24 X 1/2" HCS		539102485	2	2.5" ROLLER BEARING
12	539990563	8	HCS 3/8C X 1"	34	539102855	2	HCS 1/2-13 X 7.5" GD. 5
13	539990517	13	3/8 FLAT WASHER	35	539101331	3	1/2C NYLOC NUT
14	539102587	6	BUMPER	36	539102856	2	SPACER, CASTER
15	539104763	2	"U" CLIP	37	539103256	1	SPRING
16	539105148	1	MAIN FRAME W/DECALS	38	539104334	1	PUMP BELT
17	539976998	3	ZERK	39	539101177	2	5MM X 25MM KEY SQ.
18	539104521	2	STRUT SPACER	40	539101176	2	PULLEY
19	539104390	2	STRUT	41	539102717	4	5/16C X 5/8 SET SCREW
20	539104332	1	CROSS SHAFT	42	539990730	1	HCS 3/8C X 1.75
21	539990546	9	3/8C CENTERLOCK	43	539976688	1	IDLER PULLEY
22	539105022	2	SKID PLATE	44	539976695	1	IDLER FLANGE BUSHING
23	539100143	2	HCS 7/16C X 1"	45	539104388	1	IDLER ARM
24	539990247	2	7/16 LOCK WASHER	46	539102236	1	SUPPORT PLATE
25	539104329	1	REAR GUARD	47	539103427	1	PIVOT BUSHING
26	539102535	2	CAP, GREASE	48	539990550	1	1/2 FLAT WASHER
27	539102852	2	CASTLE NUT 1" C	49	539103433	1	HCS 1/2C X 3.25 GD. 5
28	539102626	4	BEARING W/CUP				

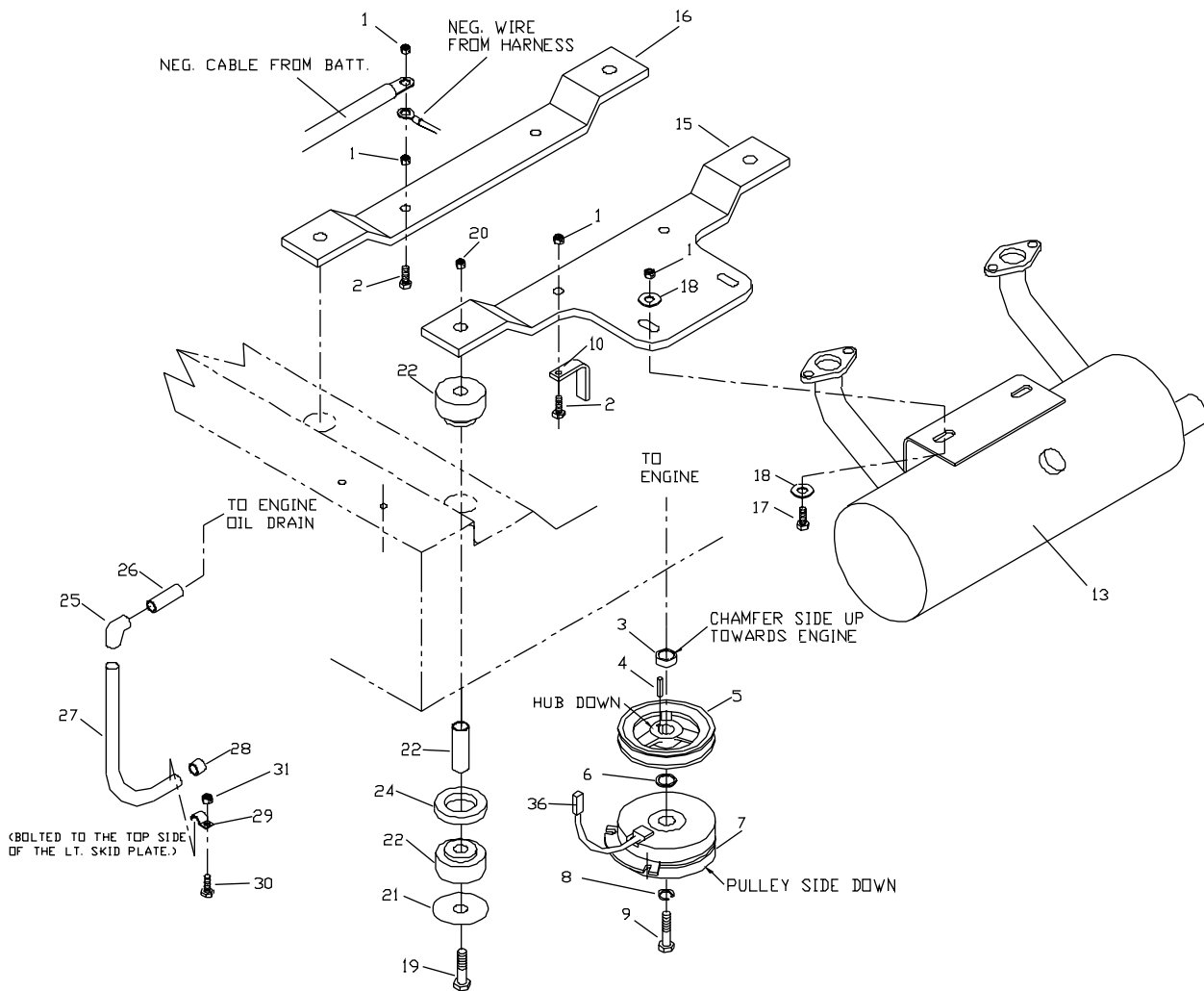
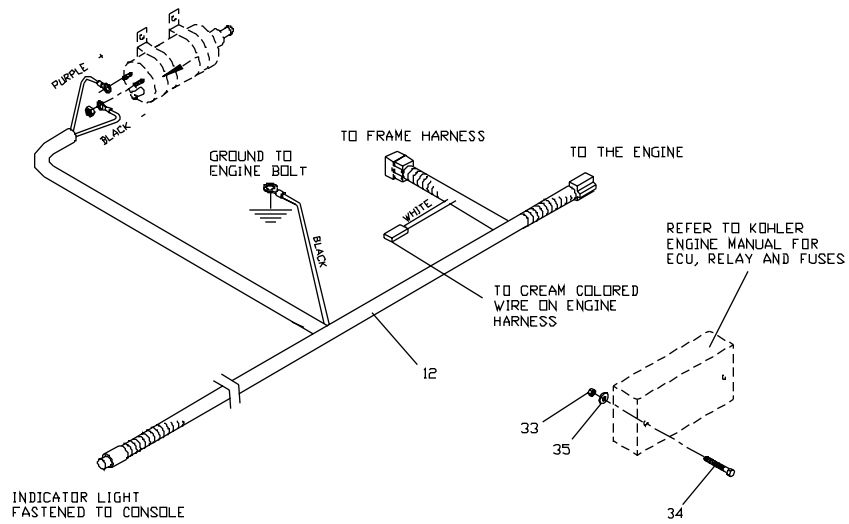
ENGINE ASSEMBLY



ENGINE ASSEMBLY

ITEM	PART NO.	QTY.	DESCRIPTION
1	539990184	7	NUT 5/16C CTR. LOCK
2	539990669	4	HCS 5/16C X 1.75
3	539104427	1	SPACER
4	539105308	1	KEY 1/4SQ. X 1.0
5	539104429	1	PULLEY
6	539104428	1	SPACER
7	539104515	1	ELECTRIC CLUTCH
8	539990427	1	7/16 LOCKWASHER
9	539991120	1	HCS 7/16F X 2.5
10	539103251	1	CLUTCH TIE DOWN
11	539105047	1	MUFFLER GUARD (KAW.)
12	539104416	1	KOHLER PIGTAIL
	539104415	1	KAWASAKI PIGTAIL
13	539104956	1	MUFFLER, KOHLER
	539104957	1	MUFFLER, KAWASAKI
14	539105048	1	MUFFLER BRACKET
15	539105025	1	ENGINE MOUNT
16	539105031	1	ENGINE MOUNT
17	539976934	3	HCS 5/16C X 3/4
18	539990692	6	5/16 FLAT WASHER
19	539103433	4	HCS 1/2C X 3.25
20	539101331	4	NUT 1/2C NYLOC
21	539104959	4	ISOLATOR WASHER
22	539104958	4	ISOLATOR
23	539102757	1	CABLE, POSITIVE (KAW)
24	539101714	1	SOLINOID (KAW)
25	539990072	2	HCS 1/4C X 5/8 (KAW)
26	539990761	3	1/4C CTR. LOCK (KAW)
27	539105034	4	ISOLATOR SPACER
28	539105072	1	ELBOW (KOHLER)
29	539105073	1	3/8 NPT X 1.5 PIPE (KOHLER)
30	539105246	1	GAUGE, TEMP. (KOHLER L/C) NOT SHOWN
31	539105248	1	GAUGE BRACKET (KOHLER L/C) NOT SHOWN
32	539976937	1	HCS 5/16 X 2 (KOHLER L/C) NOT SHOWN
33	539990053	1	1/4 INT. TOOTH WASHER (KAW) NOT SHOWN
34	539105409	1	GROUND WIRE (KAW) NOT SHOWN
35	539105395	1	OIL DRAIN HOSE (KAW) NOT SHOWN
	539101362	1	OIL DRAIN HOSE (KOHLER) NOT SHOWN
36	539102685	1	LOOM CLIP (KAW) NOT SHOWN
37	539990580	1	HCS 1/4C X 3/4 (NOT SHOWN)
38	539101364	1	OIL DRAIN CAP (KOHLER) NOT SHOWN
39	539101363	1	CLAMP (KOHLER) NOT SHOWN
40	539102877	1	OIL DRAIN HOSE CLAMP (KAWASAKI)

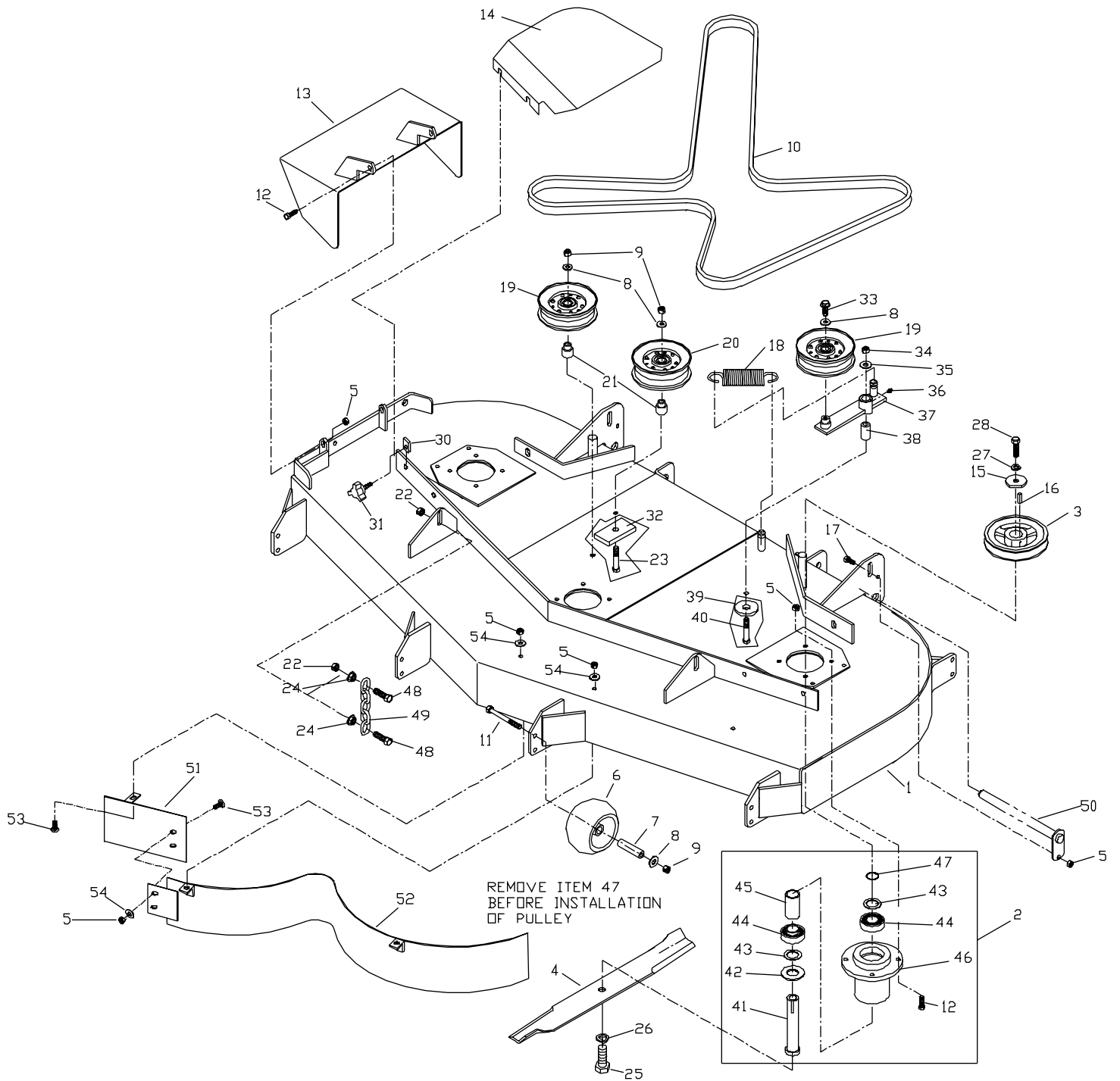
EFI ENGINE ASSEMBLY



EFI ENGINE ASSEMBLY

ITEM	PART NO.	QTY.	DESCRIPTION
1	539990184	6	NUT 5/16C CTR. LOCK
2	539990669	4	HCS 5/16C X 1.75
3	539104427	1	SPACER
4	539105308	1	KEY 1/4SQ. X 1.0
5	539104429	1	PULLEY
6	539104428	1	SPACER
7	539105406	1	ELECTRIC CLUTCH 200 lb.
8	539990427	1	7/16 LOCKWASHER
9	539991120	1	HCS 7/16F X 2.5
10	539103251	1	CLUTCH TIE DOWN
12	539105333	1	EFI HARNESS
13	539105335	1	MUFFLER
15	539105410	1	ENGINE MOUNT
16	539105025	1	ENGINE MOUNT
17	539990209	2	HCS 5/16C X 1
18	539990692	4	5/16 FLAT WASHER
19	539103433	4	HCS 1/2C X 3.25
20	539101331	4	NUT 1/2C NYLOC
21	539104959	4	ISOLATOR WASHER
22	539104958	4	ISOLATOR
24	539105034	4	ISOLATOR SPACER
25	539105072	1	ELBOW
26	539105073	1	PIPE 3/8 NPT.
27	539101362	1	OIL DRAIN HOSE
28	539101364	1	OIL DRAIN CAP
29	539101363	1	CLAMP
30	539990580	1	HCS 1/4C X 3/4
31	539990761	1	NUT 1/4C CTR. LOCK
32	539991034	3	SELF TAPPING SCREW
33	539976977	2	NUT #10-24
34	539105407	2	#10-24 X 2
35	539105408	2	WASHER #10
36	539105637	1	CLUTCH HARNESS

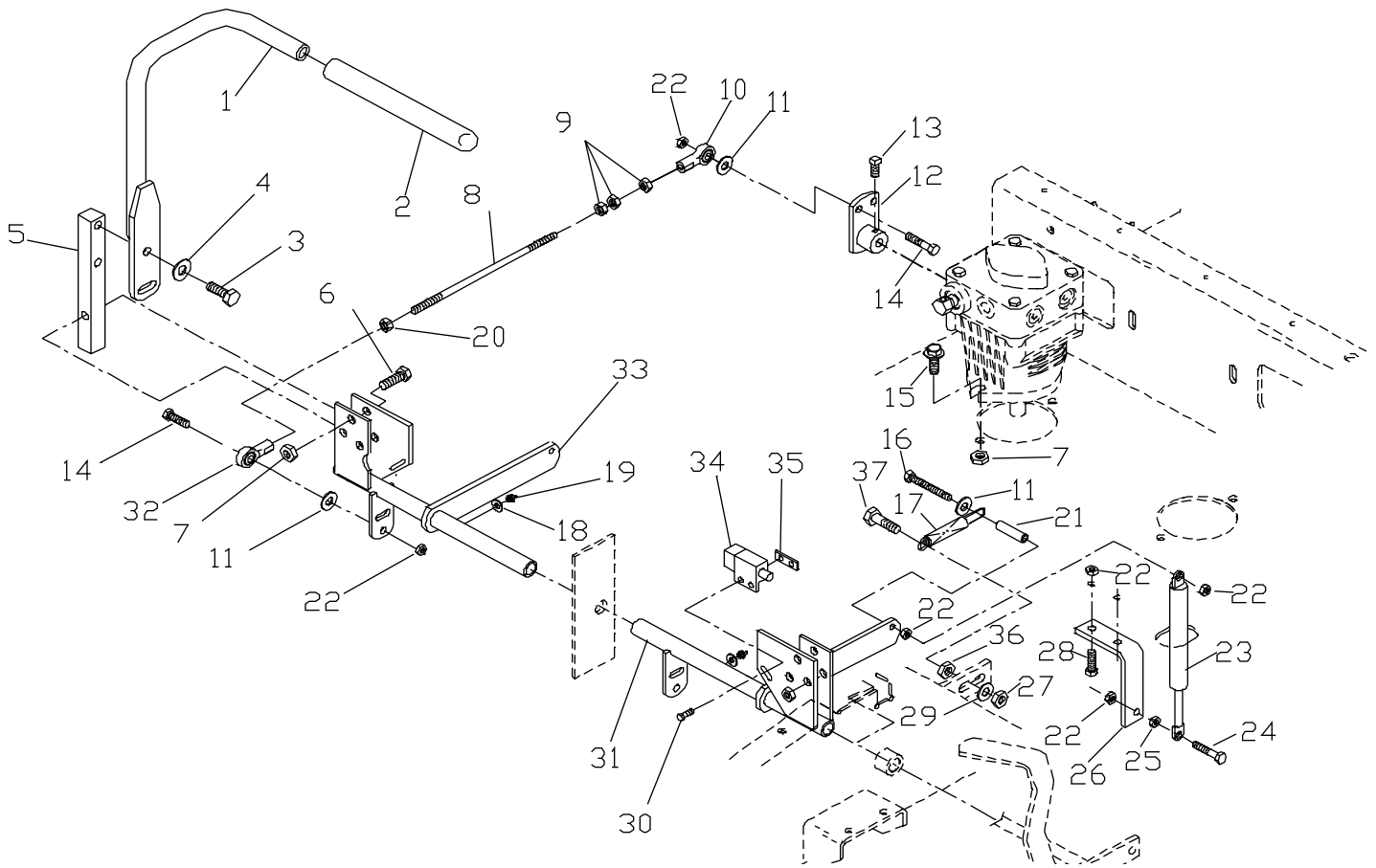
FRONT DECK ASSEMBLY



FRONT DECK ASSEMBLY

ITEM	PART NO.	QTY.	DESCRIPTION	ITEM	PART NO.	QTY.	DESCRIPTION
1	539105149	1	61" DECK W/ DECALS	24	539102582	8	7/16C WHIZ NUT
	539105150	1	52" DECK W/ DECALS	25	539103299	3	HCS 5/8F X 1.25
2	539104403	3	CUTTER HOUSING ASM.	26	539990333	3	SLW 5/8
3	539104420	3	PULLEY 61" DECK	27	539990247	3	7/16 LOCK WASHER
	539104421	3	PULLEY 52" DECK	28	539100141	3	HCS 7/16F X 1.5
4	539101733	3	BLADE 21"	29	539105103	1	BELT SHIELD LT. 61"
	539100341	3	BLADE 18"		539105105	1	BELT SHIELD LT. 52"
5	539990184	21	NUT 5/6C CENTERLOCK	30	539104763	6	"U" CLIP
6	539102643	6	ROLLER	31	539104411	6	KNOB W/ STUD
7	539102698	6	BUSHING	32	539103303	2	PAD
8	539990517	9	WASHER 3/8 STD.	33	539990582	1	HCS 3/8C X 1 SERR.
9	539990546	8	NUT 3/8C CENTERLOCK	34	539101331	1	NUT 1/2C NYLOC
10	539104336	1	BELT 61"	35	539990550	1	1/2 FLAT WASHER
	539104335	1	BELT 52"	36	539976998	1	ZERK
11	539102754	6	HCS 3/8C X 3.5	37	539103230	1	IDLER ARM
12	539990209	14	HCS 5/16C X 1	38	539103427	1	PIVOT BUSHING
13	539104422	1	DISCHARGE CHUTE	39	539102243	1	SUPPORT WASHER
14	539105102	1	BELT SHIELD RT. 61"	40	539103433	1	HCS 1/2C X 3.25
	539105104	1	BELT SHIELD RT. 52"	41	539104402	1	SPINDLE
15	539100132	3	WASHER	42	539102675	1	MACH. BUSHING 10GA.
16	539101995	3	KEY 1/4SQ. X 1 1/8	43	539102244	2	MACH. BUSHING 18GA.
17	539976934	2	HCS 5/16C X 3/4	44	539102677	2	BEARING
18	539105192	1	SPRING	45	539102676	1	SPACER
19	539103257	2	IDLER PULLEY (1.31)	46	539104852	1	HOUSING
20	539103258	1	IDLER PULLEY (1.62)	47	539102253	1	"O" RING
21	539103295	2	IDLER BUSHING	48	539101175	8	HCS 7/16C X 1.5
22	539990839	8	NUT 7/16C CENTERLOCK	49	539102641	4	LIFT CHAIN
23	539990637	2	HCS 3/8C X 2.5	50	539102619	2	PIVOT PIN
				51	539105453	1	CENTER BAFFLE 52"
					539105461	1	CENTER BAFFLE 61"
				52	539105457	1	MAIN BAFFLE 52"
					539105465	1	MAIN BAFFLE 61"
				53	539990799	1	CARRIAGE BOLT
				54	539990692	5	5/16 FLAT WASHER

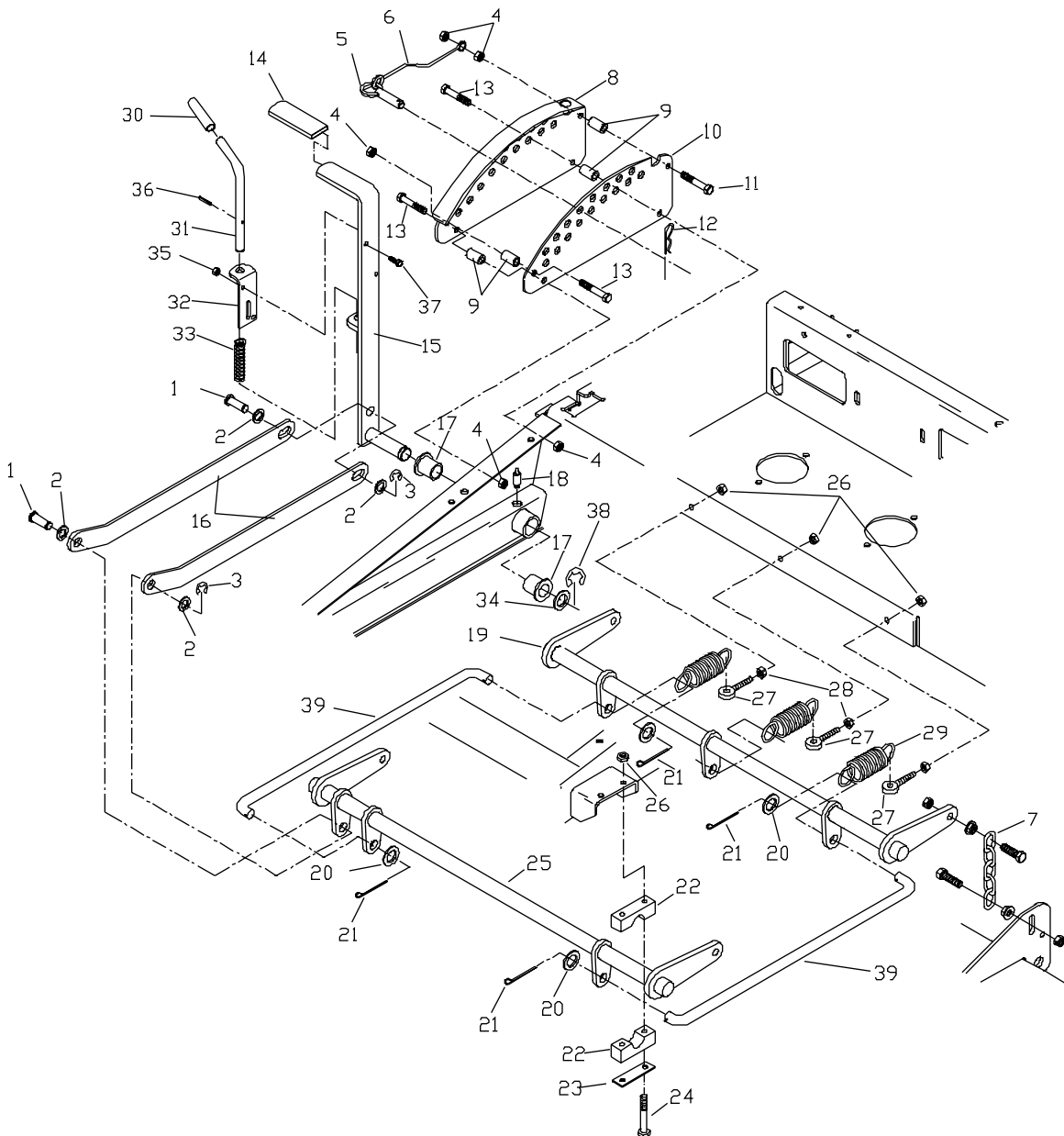
MOTION CONTROL ASSEMBLY



MOTION CONTROL ASSEMBLY

ITEM	PART NO.	QTY.	DESCRIPTION
1	539104190	2	CONT. LEVER
2	539102592	2	GRIP
3	539990563	4	HCS 3/8C X 1
4	539102593	4	3/8 SPRING WASHER
5	539102809	2	ARM CONT. SHAFT
6	539990655	6	HCS 3/8C X 1 1/2
7	539990546	10	NUT 3/8C CTR. LOCK
8	539105279	2	PUMP CONTROL LINK
9	539990223	6	NUT 5/16F
10	539102590	2	BALL JOINT RT.
11	539990692	6	5/16 FLAT WASHER
12	539104382	2	PUMP LEVER
13	539105079	2	5/16C X 5/8 "V" POINT
14	539990209	4	HCS 5/16C X 1
15	539990582	4	HCS 3/8C X 1
16	539991055	2	TAPBOLT 5/16C X 2.25
17	539103297	2	REV. DETENT SPRING
18	539103547	2	WASHER
19	539976998	2	ZERK
20	539991073	2	NUT 5/16F LH.
21	539104995	2	SPACER
22	539990184	14	5/16C CTR. LOCK
23	539102720	2	DAMPENER
24	539990627	4	HCS 5/16C X 1.25
25	539990585	2	5/16C WHIZ NUT
26	539105023	2	BRACKET "L"
27	539976979	2	3/8C NYLOC
28	539976934	4	HCS 5/16C X 3/4
29	539990517	2	3/8 FLAT WASHER
30	539976952	4	SCREW #10-24 X 5/8
31	539104363	1	CONTROL WLDMT. LEFT
32	539102591	1	BALL JOINT LH.
33	539104364	1	CONTROL WLDMT. RIGHT
34	539101080	2	SWITCH
35	539102678	2	TAPPED PLATE
36	539990613	2	3/8C WHIZ NUT
37	539990588	2	HCS 3/8C X 2
38	539102685	1	HOSE CLAMP

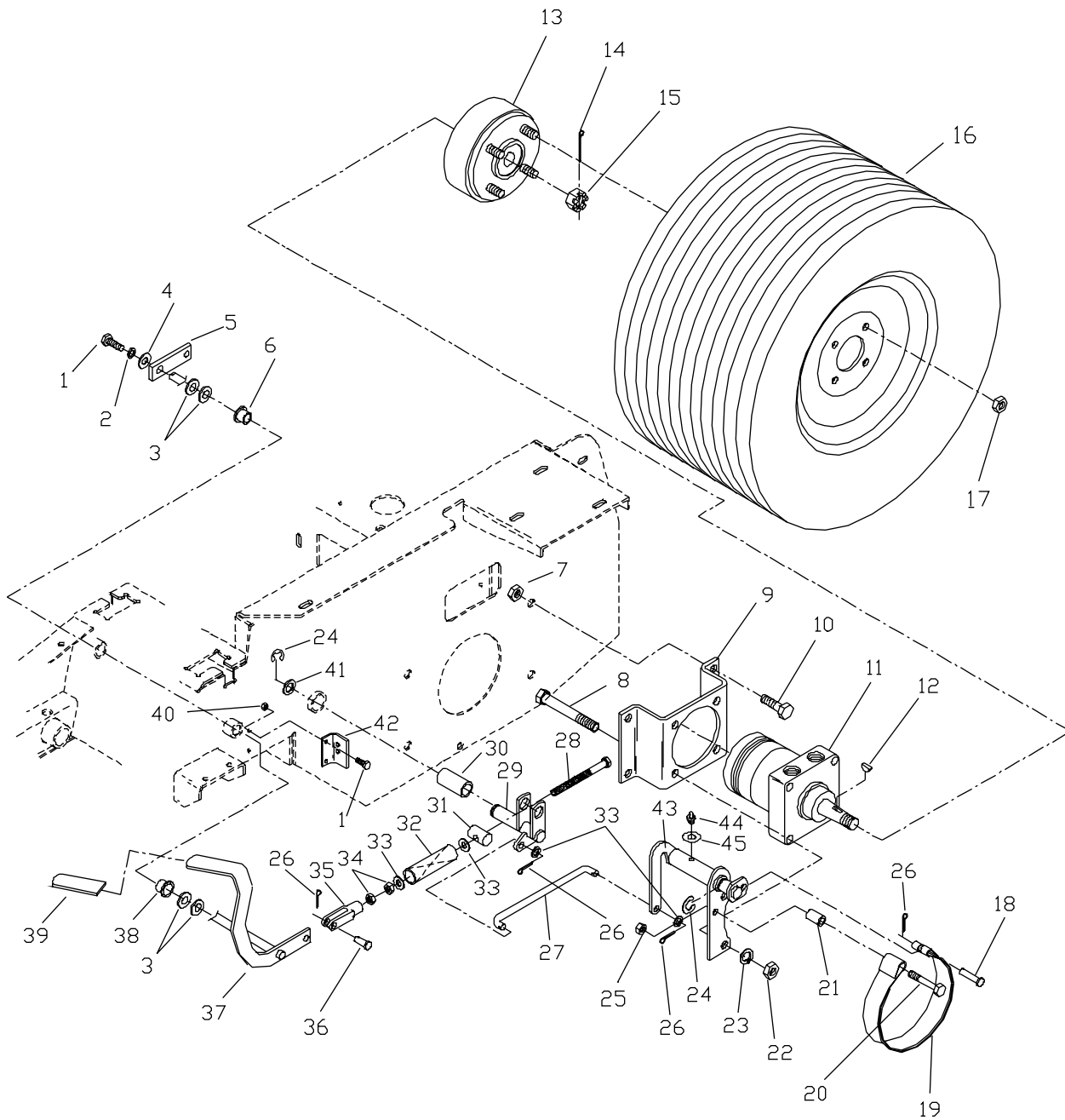
DECK LIFT ASSEMBLY



DECK LIFT ASSEMBLY

ITEM	PART NO.	QTY.	DESCRIPTION
1	539105060	2	CLEVIS PIN
2	539991043	4	MACH. BUSHING
3	539105069	2	5/8 E - RING
4	539990546	5	NUT 3/8C CTR. LOCK
5	539102526	1	HITCH PIN
6	539105059	1	LANYARD
7	539102641	4	LIFT CHAIN
8	539104321	1	ADJ. PLATE WLDMT.
9	539104530	4	DECK LIFT SPACER
10	539104323	1	ADJ. PLATE PAINTED
11	539990637	1	HCS 3/8C X 2.5
12	539976989	1	# 4 HAIR PIN
13	539990629	3	HCS 3/8C X 2.25
14	539102515	1	GRIP
15	539104320	1	LEVER WLDMT.
16	539105050	2	LIFT LINKAGE
17	539101232	2	FLANGE BUSHING
18	539104761	1	ZERK - LONG
19	539104389	1	LIFT SHAFT
20	539976982	4	5/8 SAE WASHER
21	539990654	4	COTTER PIN
22	539104808	8	PILLOW BLOCK
23	539104807	4	SUPPORT PLATE
24	539991046	8	HCS 5/16C X 2.5
25	539104424	1	LIFT SHAFT, FRONT
26	539990184	11	NUT 5/16C CTR. LOCK
27	539101982	3	EYE BOLT
28	539990585	3	5/16C WHIZ NUT
29	539104760	3	DECK LIFT SPRING
30	539101050	1	GRIP
31	539104523	1	PIN
32	539103534	1	PIN MT.,UPPER
33	539101058	1	SPRING
34	539923787	1	MACH. BUSHING
35	539990761	2	NUT 1/4C CTR. LOCK
36	539101082	1	3/16 X 1 ROLL PIN
37	539990580	2	HCS 1/4C X 3/4
38	539101802	1	7/8 E - RING
39	539104310	2	CONN. LINK

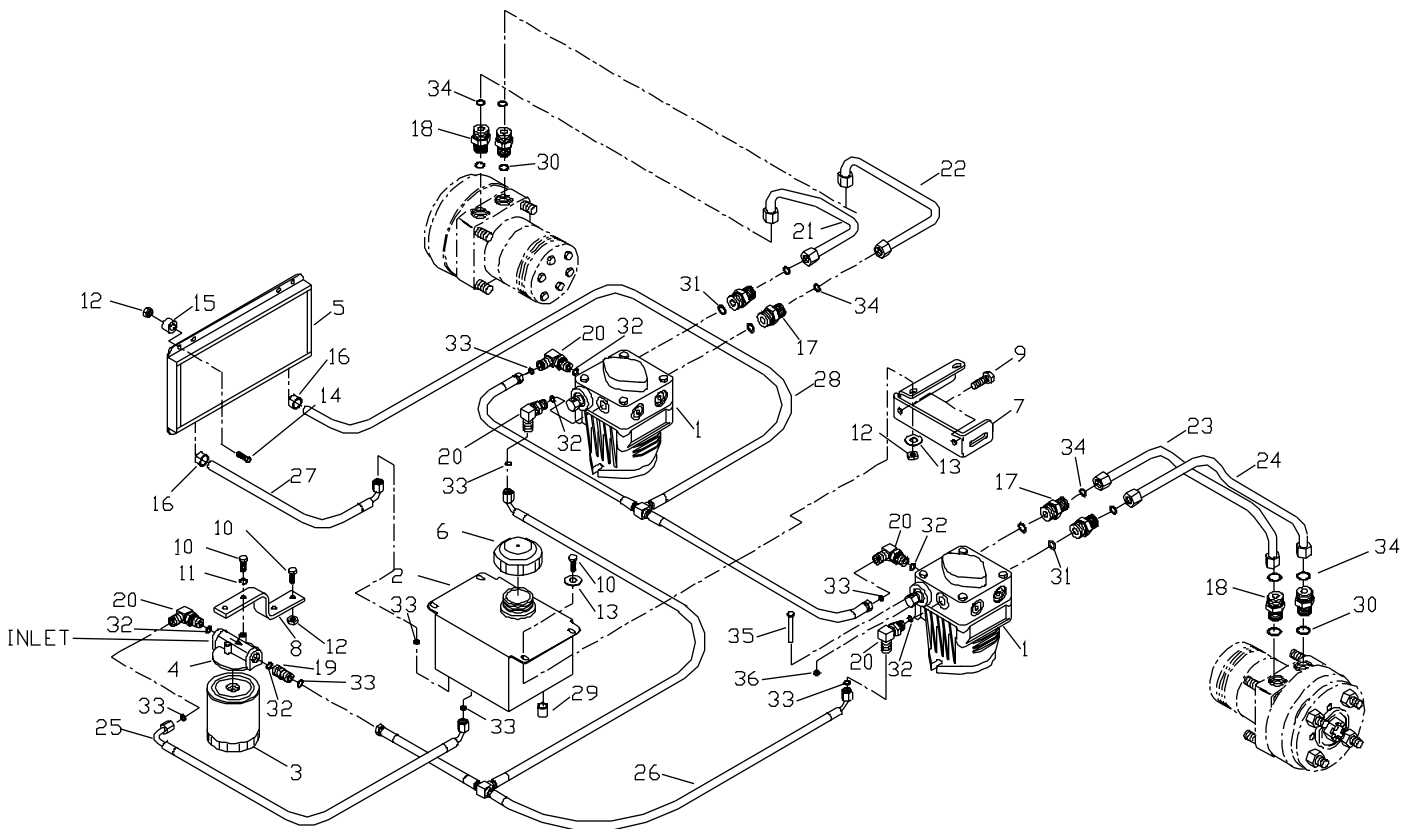
PARK BRAKE ASSEMBLY



PARK BRAKE ASSEMBLY

ITEM	PART NO.	QTY.	DESCRIPTION	ITEM	PART NO.	QTY.	DESCRIPTION
1	539990580	3	HCS 1/4C X 3/4	23	539990254	8	1/2 LOCK WASHER
2	539990052	1	1/4 LOCK WASHER	24	539102454	4	E - RING 3/4
3	539102843	4	WASHER 7/16 SPRING	25	539990546	2	NUT 3/8C CTR. LOCK
4	539990598	1	1/4 FLAT WASHER	26	539990365	8	COTTER PIN
5	539103576	1	ARM, PARK BRAKE	27	539105303	1	BRAKE LINKAGE LT.
6	539102519	2	BUSHING		539105302	1	BRAKE LINKAGE RT.
7	539101331	8	NUT 1/2C NYLOC	28	539104984	2	HCS 3/8F SPECIAL
8	539101332	8	HCS 1/2C X 2.75	29	539105040	2	BELLCRANK
9	539104327	2	MOTOR STANDOFF	30	539105044	2	BRONZE BEARING
10	539990622	8	HCS 1/2C X 1.25	31	539102821	2	TRUNION PIN
11	539104417	2	WHEEL MOTOR	32	539104986	2	SPRING
12	539105278	2	WOODRUFF KEY	33	539990122	6	3/8 SAE WASHER
13	539102415	2	HUB W/ BRAKE DRUM	34	539990155	4	NUT 3/8F
14	539990297	2	COTTER PIN	35	539977465	2	YOKE
15	539105277	2	CASTLE NUT	36	539977703	2	3/8 X 1.125
16	539104412	2	REAR TIRE ASSEMBLY	37	539104351	1	BRAKE LEVER WLDMT.
	539105152	1	TIRE	38	539102519	2	BUSHING
	539105153	1	RIM	39	539105036	1	GRIP
	539912234	1	AIR VALVE	40	539990372	2	1/4C LOCK NUT
17	539101173	8	LUG NUT 1/2F	41	539991050	2	MACH. BUSHING 3/4
18	539102455	2	3/8 X 1.50 CLEVIS PIN	42	539105029	1	BRACKET
19	539102822	2	BRAKE BAND	43	539104346	1	LEFT BRAKE BKT.
20	539105070	2	HCS 3/8C X 3 GD 8		539104347	1	RIGHT BRAKE BKT.
21	539105043	2	SPACER	44	539976998	2	ZERK
22	539990258	8	NUT 1/2C	45	539103547	2	WASHER

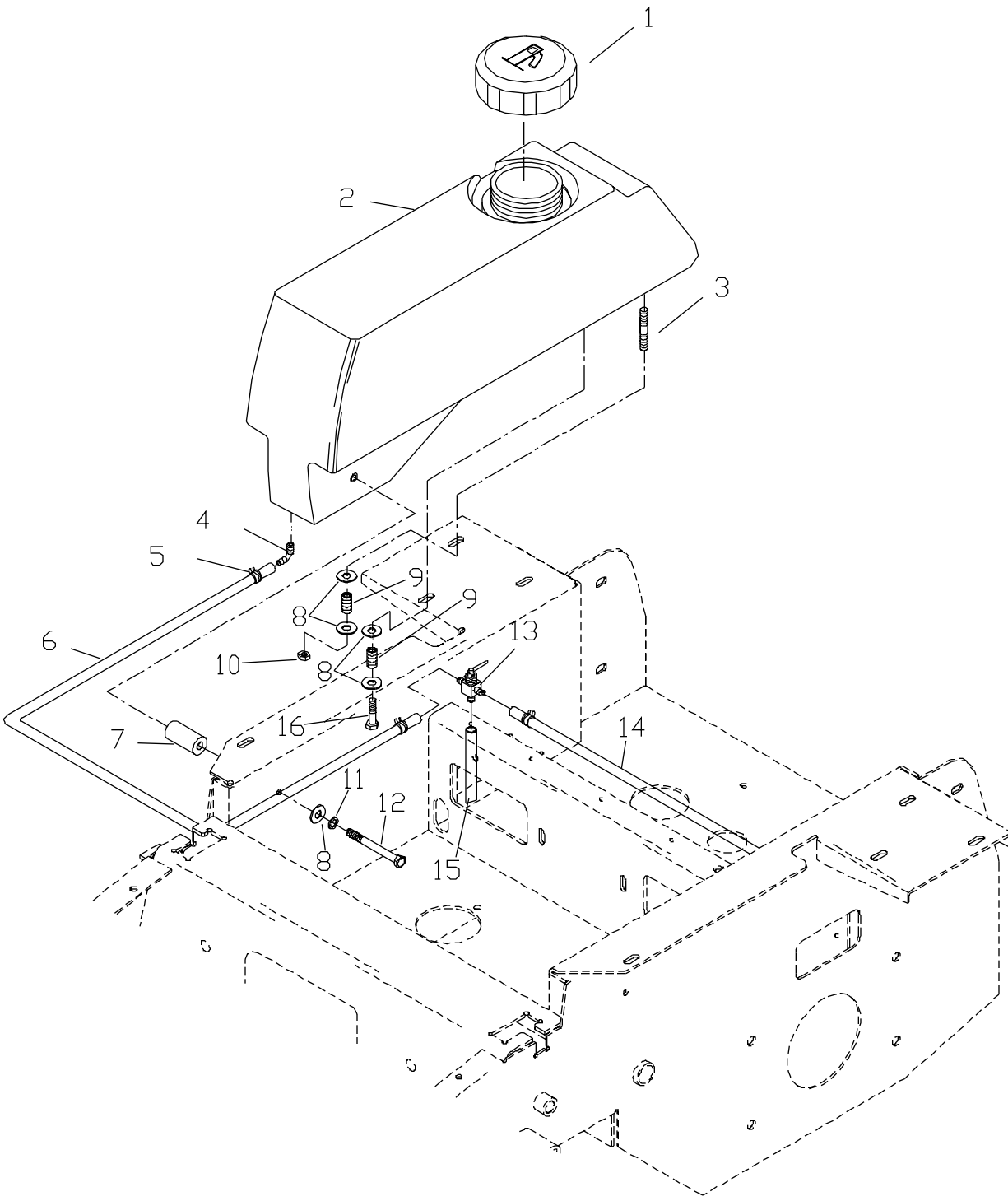
HYDRAULIC SYSTEM ASSEMBLY



HYDRAULIC SYSTEM ASSEMBLY

ITEM	PART NO.	QTY.	DESCRIPTION
1	539104529	2	PUMP
2	539105024	1	OIL TANK
3	539102606	1	FILTER
4	539101165	1	FILTER HEAD
5	539105167	1	COOLER
6	539101202	1	HYD. CAP
7	539105027	1	TANK MOUNT LT.
	539105026	1	TANK MOUNT RT.
8	539105028	1	FILTER BRACKET
9	539976934	4	HCS 5/16 X 3/4
10	539990580	8	HCS 1/4C X 3/4
11	539990052	2	1/4 LOCK WASHER
12	539990372	10	1/4 LOCK NUT
13	539990598	8	1/4 FLAT WASHER
14	539990892	4	HCS 1/4C X 2.25
15	539923515	4	SPACER
16	539976966	2	HOSE CLAMP
17	539101237	4	F6400-8-8-0
18	539102396	4	STR. FITTING
19	539103316	1	F6400-6-6-0
20	539101238	5	F6801-6-6-0
21	539104393	1	R. OUTSIDE TUBE
22	539104394	1	R. INSIDE TUBE
23	539104395	1	L.INSIDE TUBE
24	539104396	1	L. OUTSIDE TUBE
25	539104722	1	7" TUBE
26	539104723	1	"T"ASM
27	539104896	1	HOSE
28	539105154	1	"T"ASM
29	539105168	1	CAP
30	539103115	4	3/4 "O" RING
31	539103116	4	1/2 "O" RING
32	539103117	6	3/8 "O" RING
33	539103118	8	3/8 "O" RING FLARE
34	539103119	8	3/8 "O" RING FLARE
35	539102233	2	CLEVIS PIN
36	539102234	2	PUSH NUT
37	539102685	1	HOSE CLAMP (NOT SHOWN)

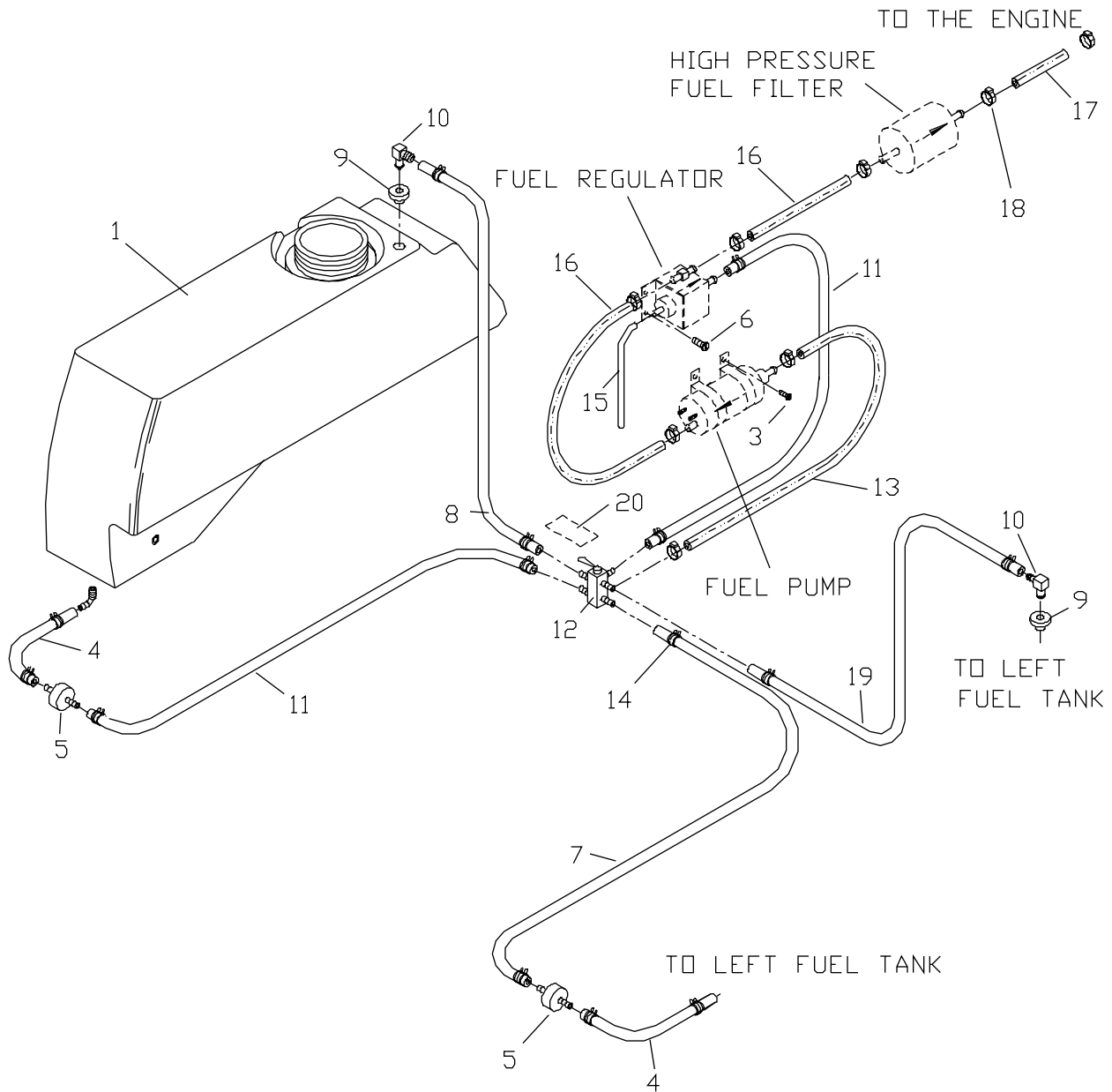
FUEL ASSEMBLY



FUEL ASSEMBLY

ITEM	PART NO.	QTY.	DESCRIPTION
1	539104962	2	FUEL CAP
2	539104410	1	RT. FUEL TANK
	539104409	1	LT. FUEL TANK
3	539102502	6	STUD
4	539102650	2	90 DEG. HOSE BARB
5	539912222	6	HOSE CLAMP
6	539105281	1	FUEL LINE 30" (2 ON KAW.)
7	539104897	2	TANK SPACER
8	539990692	18	5/16 FLAT WASHER
9	539102845	8	SPRING
10	539990184	8	5/16C LOCKNUT
11	539990187	2	5/16 LOCK WASHER
12	539102335	2	HCS 5/16C X 4
13	539102679	1	FUEL VALVE
14	539105280	1	FUEL LINE 41"
15	539104980	1	FUEL LINE 16" (KOHLER)
16	539990209	2	HCS 5/16C X 1

EFI FUEL ASSEMBLY



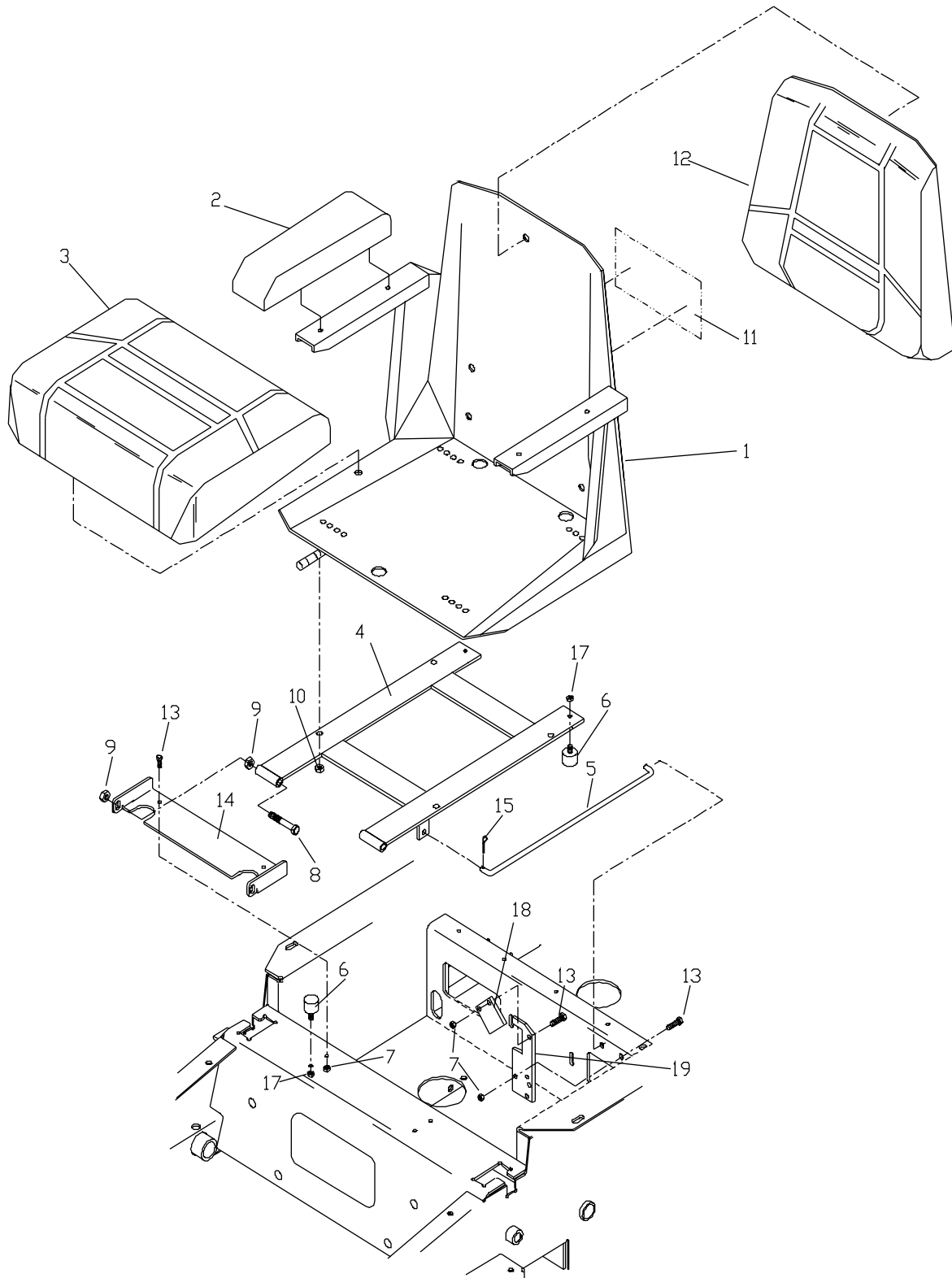
EFI FUEL ASSEMBLY

ITEM	PART NO.	QTY.	DESCRIPTION
1	539105330	1	RT. FUEL TANK
2	539105329	1	LT. FUEL TANK (NOT SHOWN)
3	539991034	4	SELF TAPPING SCREW
4	539977351	2	FUEL LINE
5	539914359	2	FILTER
6	539105532	6	1/4-20 SELF TAPPING SCREW
7	539105531	1	FUEL LINE
8	539105526	1	FUEL LINE
9	539105245	2	RUBBER GROMMET
10	539105244	2	ELBOW
11	539105527	2	FUEL LINE
12	539105331	1	FUEL VALVE
13	539105398	1	EFI HOSE
14	539912222	14	HOSE CLAMP
15	539105411	1	VENT HOSE
16	539105399	2	EFI HOSE
17	539105400	1	EFI HOSE
18	539105529	8	CLAMPS
19	539105530	1	FUEL LINE
20	539105334	1	DECAL, FUEL VALVE
21	539104962	2	FUEL CAP(NOT SHOWN)

NOTE: Items 13, 16, and 17 are high pressure fuel lines

Refer to Kohler engine manual for information on the fuel regulator, fuel pump, and the high pressure fuel filter.

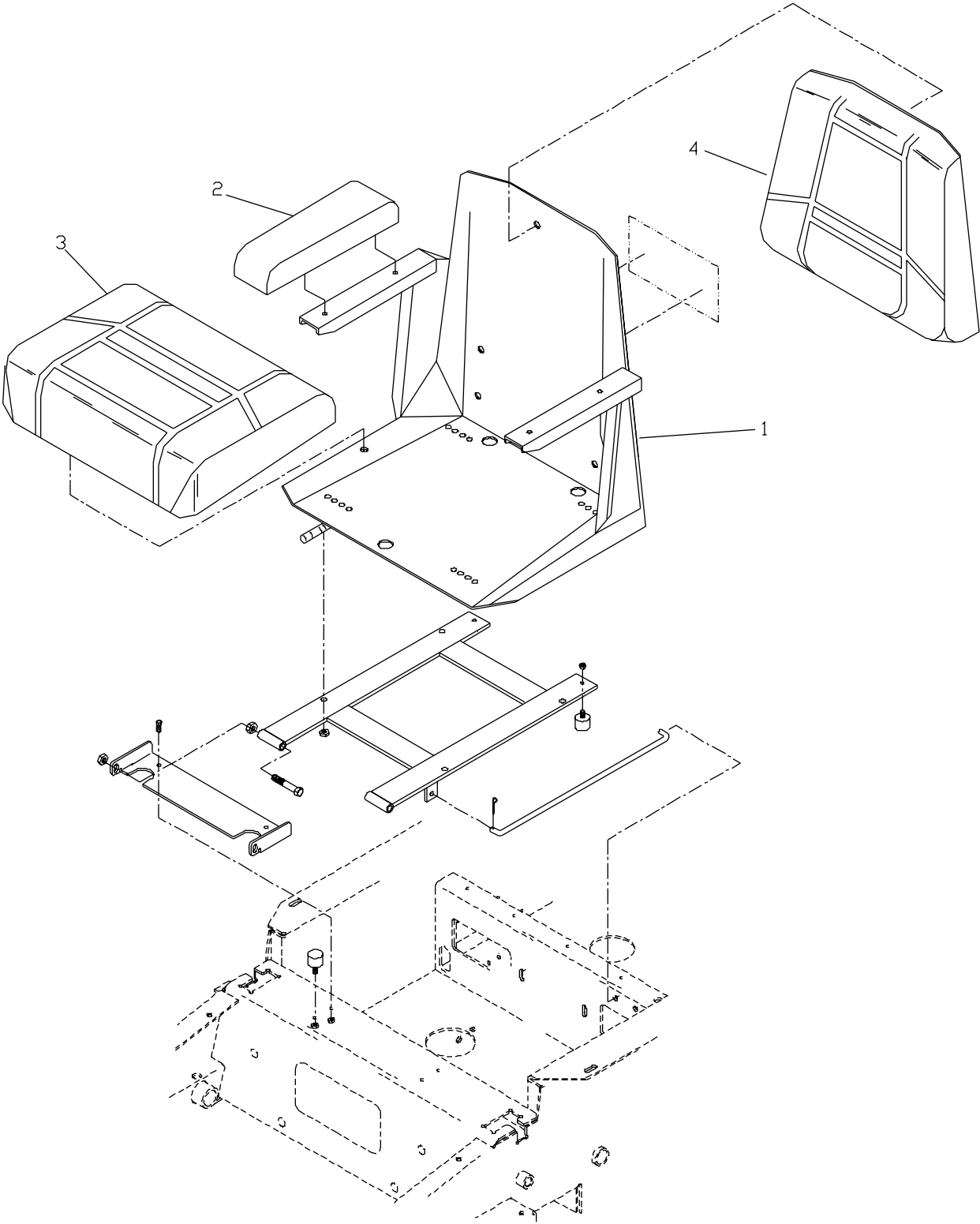
SEAT ASSEMBLY



SEAT ASSEMBLY

ITEM	PART NO.	QTY.	DESCRIPTION
1	539104584	1	SEAT, COMPLETE
2	539102844	1 Pair	ARM REST CUSHIONS (Left & Right)
3	539102539	1	SEAT CUSHION W/SWITCH
4	539105283	1	SEAT MOUNT
5	539104525	1	SEAT ROD
6	539105039	4	STUD / PLATE MOUNT
7	539990372	5	1/4C LOCKNUT
8	539101341	2	HCS 3/8C X 3
9	539990546	4	NUT 3/8C CTR. LOCK
10	539990184	4	NUT 5/16C CTR. LOCK
11	539104789	1	DECAL, CROWN
12	539104565	1	SEAT BACK CUSHION
13	539990580	5	HCS 1/4C X 3/4
14	539105224	1	SEAT BKT. W/DECAL
15	539990365	1	COTTER PIN
16	539105294	1	SEAT RAILS (NOT SHOWN)
17	539976978	4	NUT 1/4C NYLOC
18	539102917	1	SEAT LATCH
19	539105282	1	SEAT LATCH MOUNT

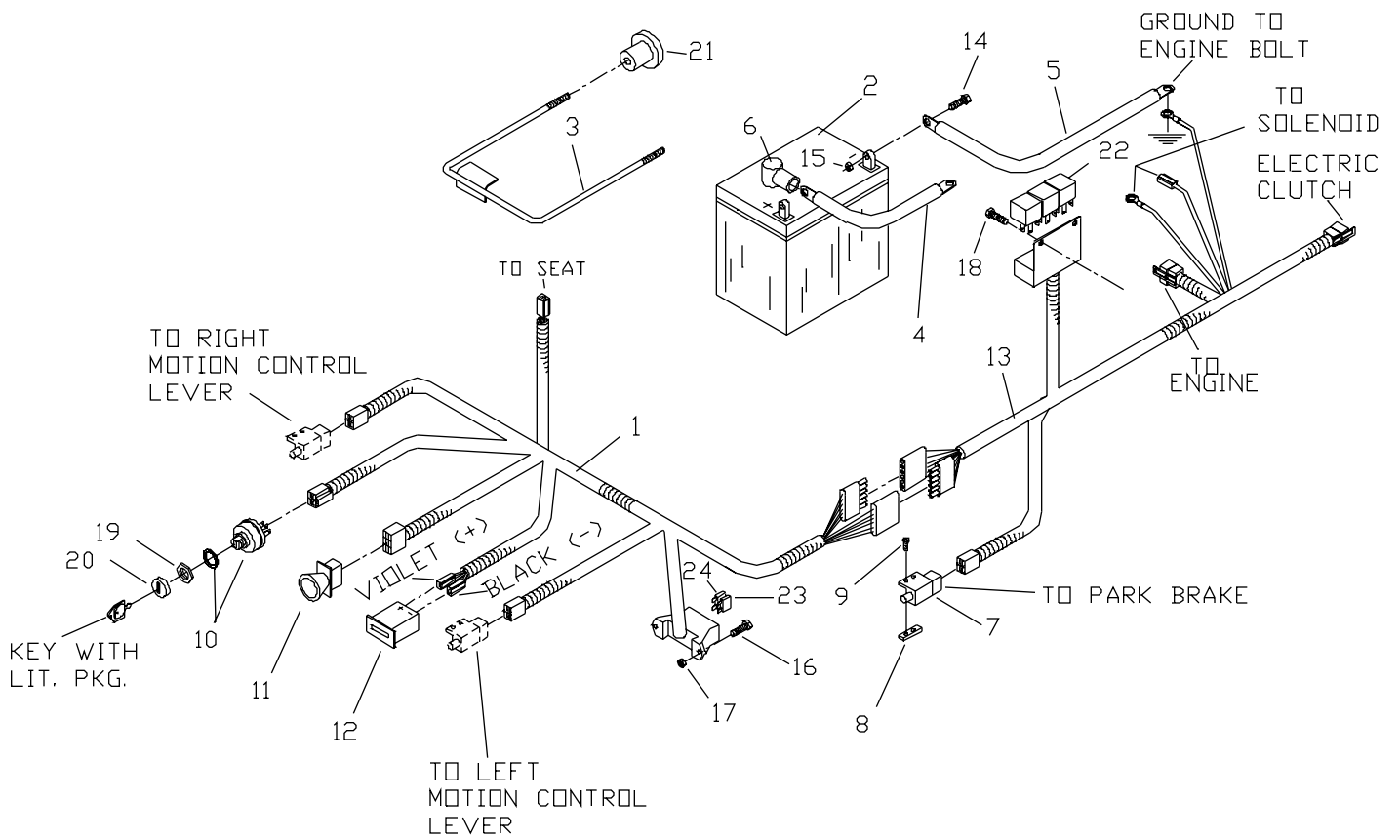
SUSPENSION SEAT ASSEMBLY



SUSPENSION SEAT ASSEMBLY

ITEM	PART NO.	QTY.	DESCRIPTION
1	539105211	1	SEAT, COMPLETE
2	539105539	2	ARM REST CUSHION
3	539105541	1	SEAT CUSHION
4	539105540	1	BACK CUSHION
5	539105542	1	SWITCH, SEAT
6	539105544	2	SEAT RAILS
7	539105545	1	SEAT HARNESS

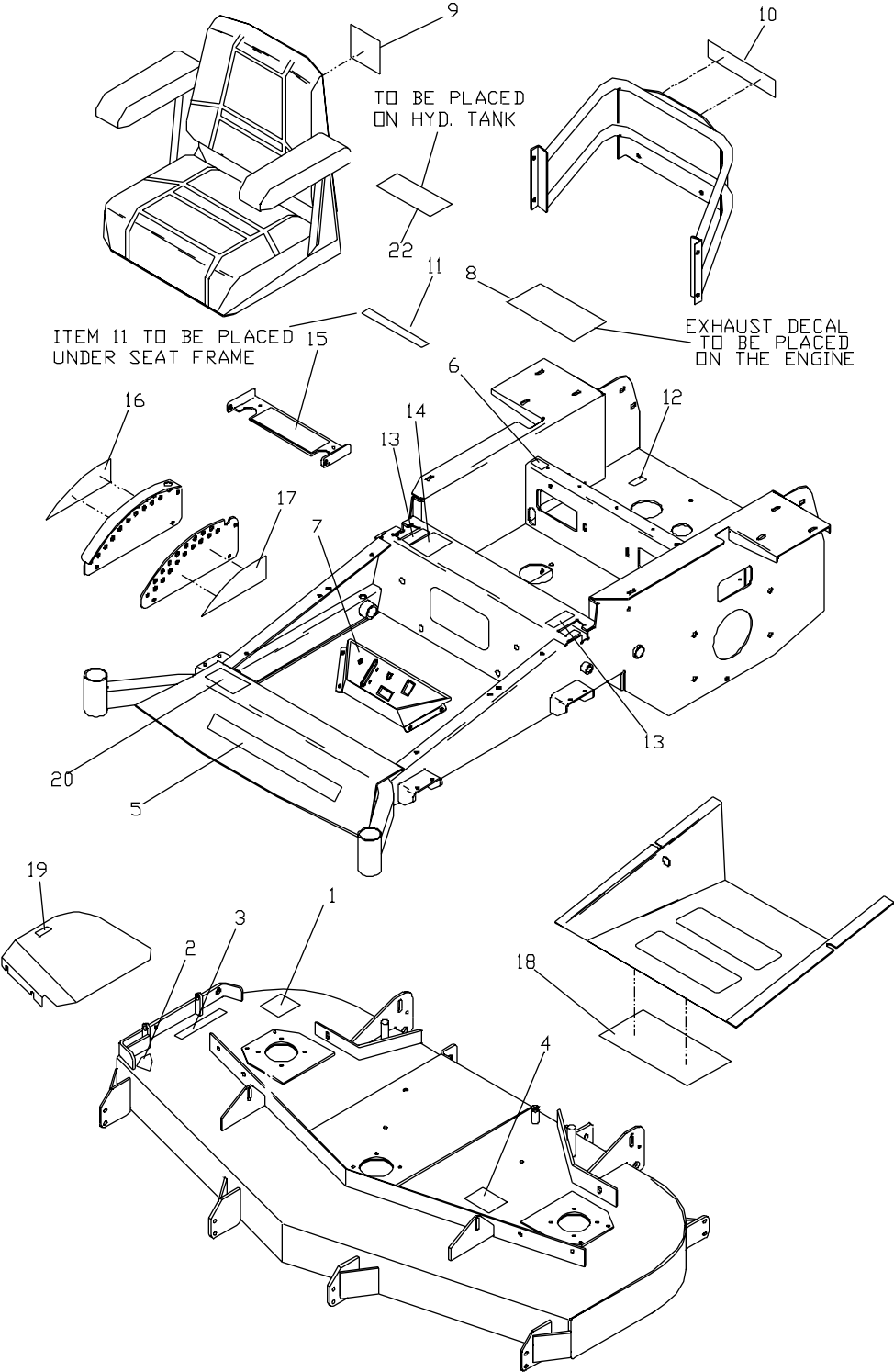
WIRING ASSEMBLY



WIRING ASSEMBLY

ITEM	PART NO.	QTY.	DESCRIPTION
1	539104414	1	CONSOLE HARNESS
2	539102463	1	12V BATTERY
3	539104344	1	BATTERY HOLD DOWN
4	539104974	1	POSITIVE CABLE
5	539102758	1	NEGITIVE CABLE
6	539102759	2	INSULATOR
7	539101080	1	INTERLOCK SWITCH
8	539102678	1	TAPPED PLATE
9	539976952	2	#10-24 X 5/8
10	539101770	1	IGNITION SWITCH
11	539101768	1	BLADE SWITCH
12	539102540	1	HOUR METER
13	539104964	1	FRAME HARNESS
14	539976934	2	HCS 5/16C X 3/4
15	539990184	2	NUT 5/16C CTR. LOCK
16	539102617	2	#10-24 X 7/8 SCREW
17	539976977	2	#10-24 HEX NYLOC NUT
18	539991034	2	SELF TAPPING SCREW
19	539103177	1	NUT IGN. SWITCH
20	539103178	1	CAP, IGN. SWITCH
21	539105169	2	KNOB
22	539102914	3	RELAY
23	539101771	1	7.5 AMP 32V ATO FUSE
24	539102086	1	20.0 AMP 32V ATO FUSE
25	539105300	1	KOHLER PIGTAIL(NOT SHOWN)
26	539105247	1	GAGE HARNESS(NOT SHOWN)

DECAL PLACEMENT ASSEMBLY



DECAL PLACEMENT ASSEMBLY

ITEM	PART NO.	QTY.	DESCRIPTION
1	539105232	1	DECAL, ANTI SCALP
2	539100344	1	DECAL, DANGER
3	539913010	1	DECAL, WARNING
4	539105012	1	DECAL, BELT ROUTING
5	539104790	1	DECAL, HUSQVARNA
6	539102670	1	DECAL, FUEL VALVE
7	539105010	1	DECAL, CONSOLE
8	539100128	1	DECAL, EXHAUST
9	539104789	1	DECAL, CROWN
10	539104787	1	DECAL, HUSQVARNA
11	539102669	1	DECAL, BATTERY
12	539101881	1	DECAL, PROP 65
13	539103333	2	DECAL, MOTION CONTROL
14	539103328	1	DECAL, THROWN OBJECTS
15	539103331	1	DECAL, WARNING
16	539104898	1	DECAL, HEIGHT
17	539104899	1	DECAL, HEIGHT
18	539105011	1	DECAL, SERVICE
19	539102892	2	DECAL, NO STEP
20	539105071	1	DECAL, NASCAR
21	539105051	3	DECAL, 5221(NOT SHOWN)
	539105052	3	DECAL, 5223
	539105053	3	DECAL, 5223L
	539105054	3	DECAL, 5225
	539105056	3	DECAL, 6125
22	539105301	1	DECAL, MOBIL 1