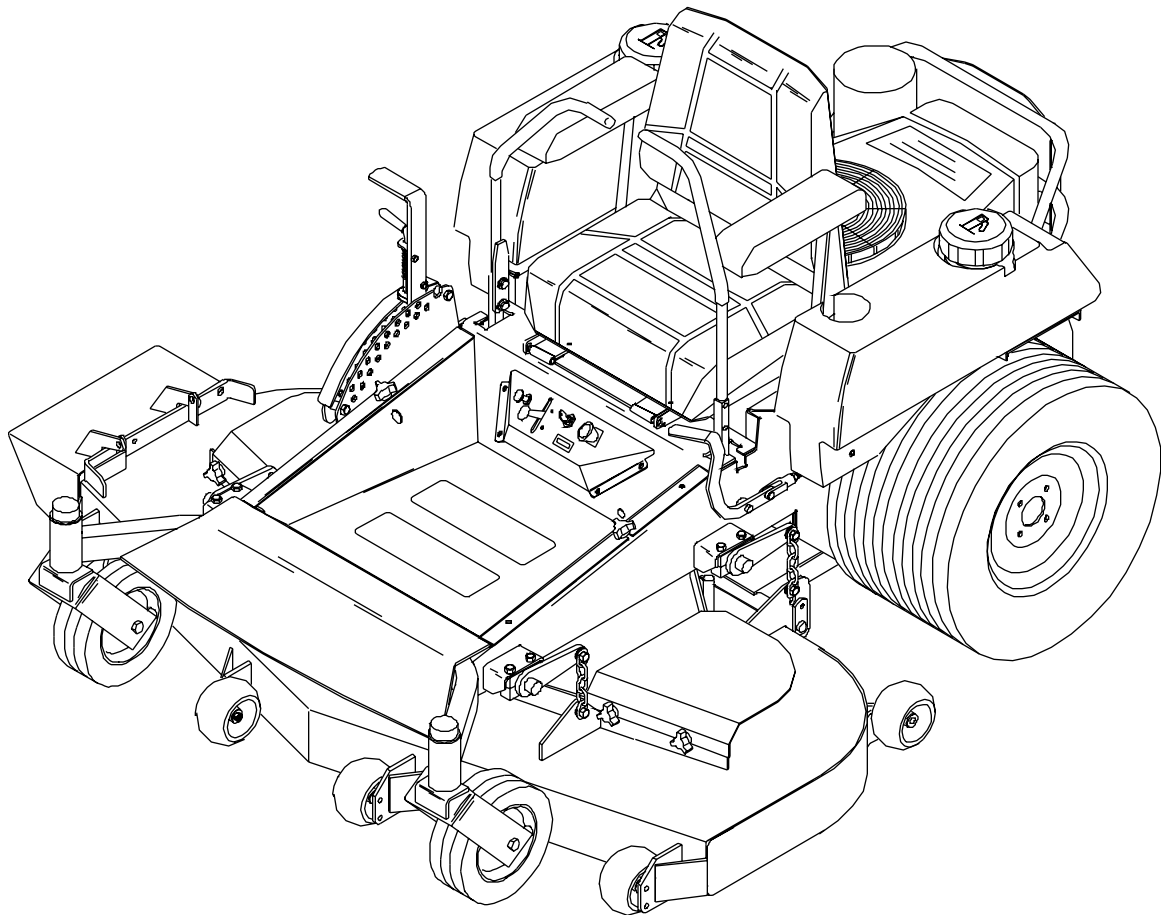


# Husqvarna

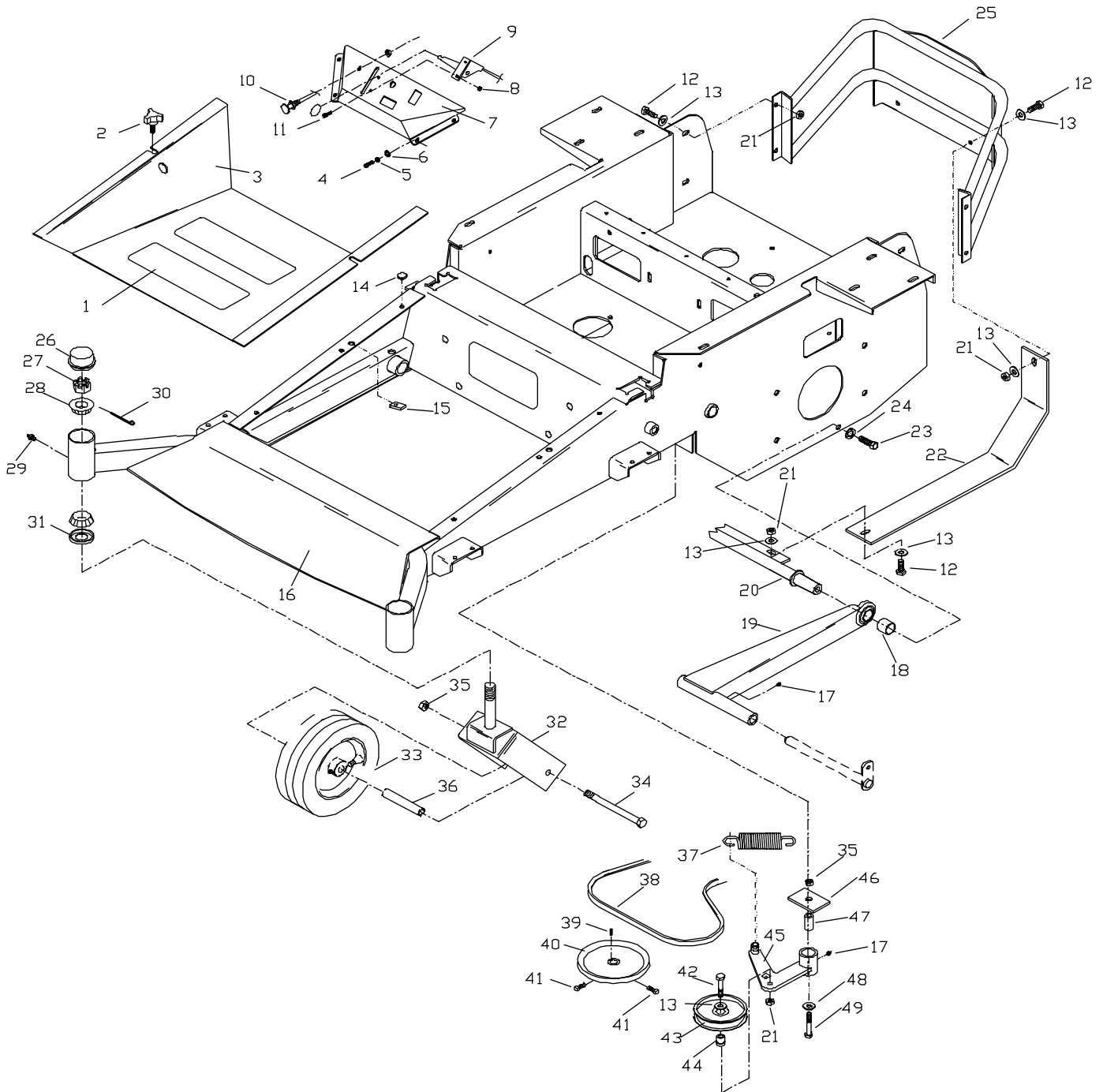


## Parts manual

## Models:

968999159 / ZTH5221KAA  
968999160 / ZTH5223KAA  
968999161 / ZTH5223KOA  
968999162 / ZTH5223KOLA  
968999163 / ZTH5225KOA  
968999165 / ZTH6125KOA  
968999166 / ZTH6125KAA  
968999171 / ZTH6126KOA  
968999173 / ZTH5225KAA

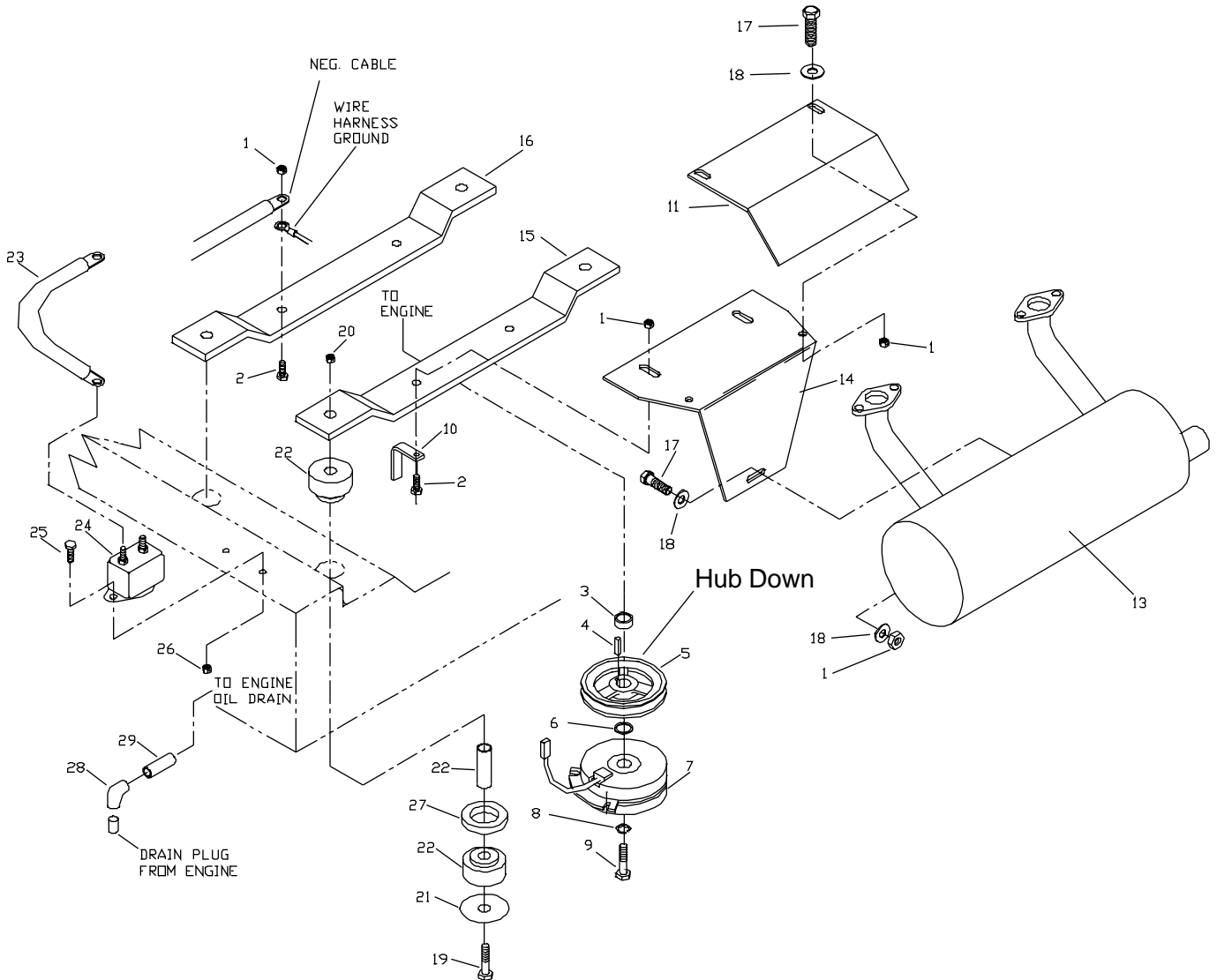
# MAIN FRAME ASSEMBLY



# MAIN FRAME ASSEMBLY

ITEM	PART NO.	QTY.	DESCRIPTION	ITEM	PART NO.	QTY.	DESCRIPTION
1	539977778	3	ANTI-SKID PAD	29	539101474	2	DRIVE IN ZERK
2	539104411	2	KNOB W/ STUD	30	539102889	2	COTTER PIN 1/8 X 2"
3	539104721	1	FOOT PLATE	31	539102851	2	SEAL
4	539990580	4	HCS 1/4C X 3/4"	32	539104571	2	YOKE, CASTER
5	539990052	4	1/4" LOCK WASHER	33	539104572	2	TIRE & WHEEL ASM.
6	539990598	4	1/4" FLAT WASHER		539104573	1	RIM
7	539105151	1	CONSOLE W/ DECAL		539102546	1	TIRE
8	539976977	2	# 10-24 NYLOC NUT		539976997	1	ZERK
9	539102732	1	THROTTLE CABLE		539102484	2	FLANGE BEARING
10	539102733	1	CHOKE CABLE		539912234	1	AIR VALVE
11	539990411	2	#10-24 X 1/2" HCS		539102485	2	2.5" ROLLER BEARING
12	539990563	8	HCS 3/8C X 1"	34	539102855	2	HCS 1/2-13 X 7.5" GD. 5
13	539990517	13	3/8 FLAT WASHER	35	539101331	3	1/2C NYLOC NUT
14	539102587	6	BUMPER	36	539102856	2	SPACER, CASTER
15	539104763	2	"U" CLIP	37	539103256	1	SPRING
16	539105148	1	MAIN FRAME W/DECALS	38	539104334	1	PUMP BELT
17	539976998	3	ZERK	39	539101177	2	5MM X 25MM KEY SQ.
18	539104521	2	STRUT SPACER	40	539101176	2	PULLEY
19	539104390	2	STRUT	41	539102717	4	5/16C X 5/8 SET SCREW
20	539104332	1	CROSS SHAFT	42	539990730	1	HCS 3/8C X 1.75
21	539990546	9	3/8C CENTERLOCK	43	539976688	1	IDLER PULLEY
22	539105022	2	SKID PLATE	44	539976695	1	IDLER FLANGE BUSHING
23	539100143	2	HCS 7/16C X 1"	45	539104388	1	IDLER ARM
24	539990247	2	7/16 LOCK WASHER	46	539102236	1	SUPPORT PLATE
25	539104329	1	REAR GUARD	47	539103427	1	PIVOT BUSHING
26	539102535	2	CAP, GREASE	48	539990550	1	1/2 FLAT WASHER
27	539102852	2	CASTLE NUT 1" C	49	539103433	1	HCS 1/2C X 3.25 GD. 5
28	539102626	4	BEARING W/CUP				

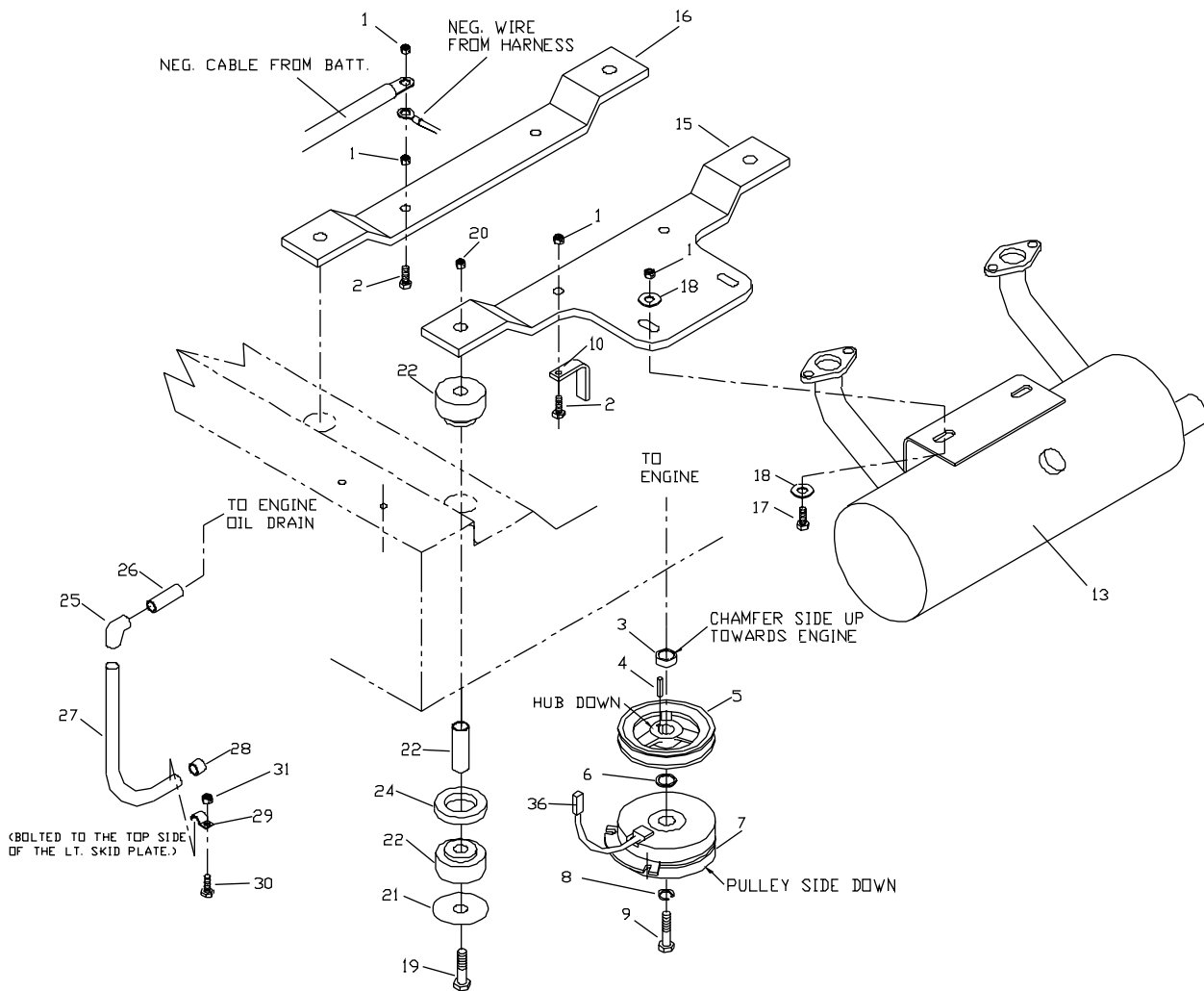
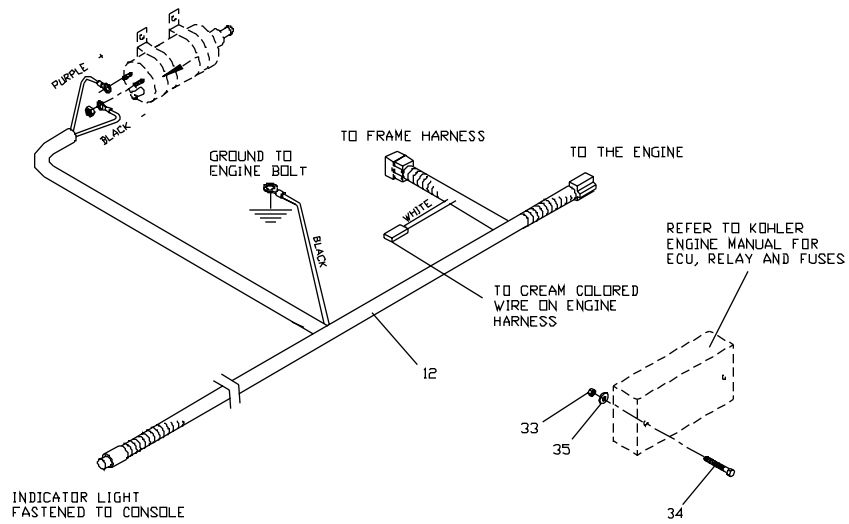
# ENGINE ASSEMBLY



# ENGINE ASSEMBLY

ITEM	PART NO.	QTY.	DESCRIPTION
1	539990184	7	NUT 5/16C CTR. LOCK
2	539990669	4	HCS 5/16C X 1.75
3	539104427	1	SPACER
4	539105308	1	KEY 1/4SQ. X 1.0
5	539104429	1	PULLEY
6	539104428	1	SPACER
7	539104515	1	ELECTRIC CLUTCH
8	539990427	1	7/16 LOCKWASHER
9	539991120	1	HCS 7/16F X 2.5
10	539103251	1	CLUTCH TIE DOWN
11	539105047	1	MUFFLER GUARD (KAW.)
12	539104416	1	KOHLER PIGTAIL
	539104415	1	KAWASAKI PIGTAIL
13	539104956	1	MUFFLER, KOHLER
	539104957	1	MUFFLER, KAWASAKI
14	539105048	1	MUFFLER BRACKET
15	539105025	1	ENGINE MOUNT
16	539105031	1	ENGINE MOUNT
17	539976934	3	HCS 5/16C X 3/4
18	539990692	6	5/16 FLAT WASHER
19	539103433	4	HCS 1/2C X 3.25
20	539101331	4	NUT 1/2C NYLOC
21	539104959	4	ISOLATOR WASHER
22	539104958	4	ISOLATOR
23	539102757	1	CABLE, POSITIVE (KAW)
24	539101714	1	SOLINOID (KAW)
25	539990072	2	HCS 1/4C X 5/8 (KAW)
26	539990761	3	1/4C CTR. LOCK (KAW)
27	539105034	4	ISOLATOR SPACER
28	539105072	1	ELBOW (KOHLER)
29	539105073	1	3/8 NPT X 1.5 PIPE (KOHLER)
30	539105246	1	GAUGE, TEMP. (KOHLER L/C) NOT SHOWN
31	539105248	1	GAUGE BRACKET (KOHLER L/C) NOT SHOWN
32	539976937	1	HCS 5/16 X 2 (KOHLER L/C) NOT SHOWN
33	539990053	1	1/4 INT. TOOTH WASHER (KAW) NOT SHOWN
34	539105409	1	GROUND WIRE (KAW) NOT SHOWN
35	539105395	1	OIL DRAIN HOSE (KAW) NOT SHOWN
	539101362	1	OIL DRAIN HOSE (KOHLER) NOT SHOWN
36	539102685	1	LOOM CLIP (KAW) NOT SHOWN
37	539990580	1	HCS 1/4C X 3/4 (NOT SHOWN)
38	539101364	1	OIL DRAIN CAP (KOHLER) NOT SHOWN
39	539101363	1	CLAMP (KOHLER) NOT SHOWN
40	539102877	1	OIL DRAIN HOSE CLAMP (KAWASAKI)

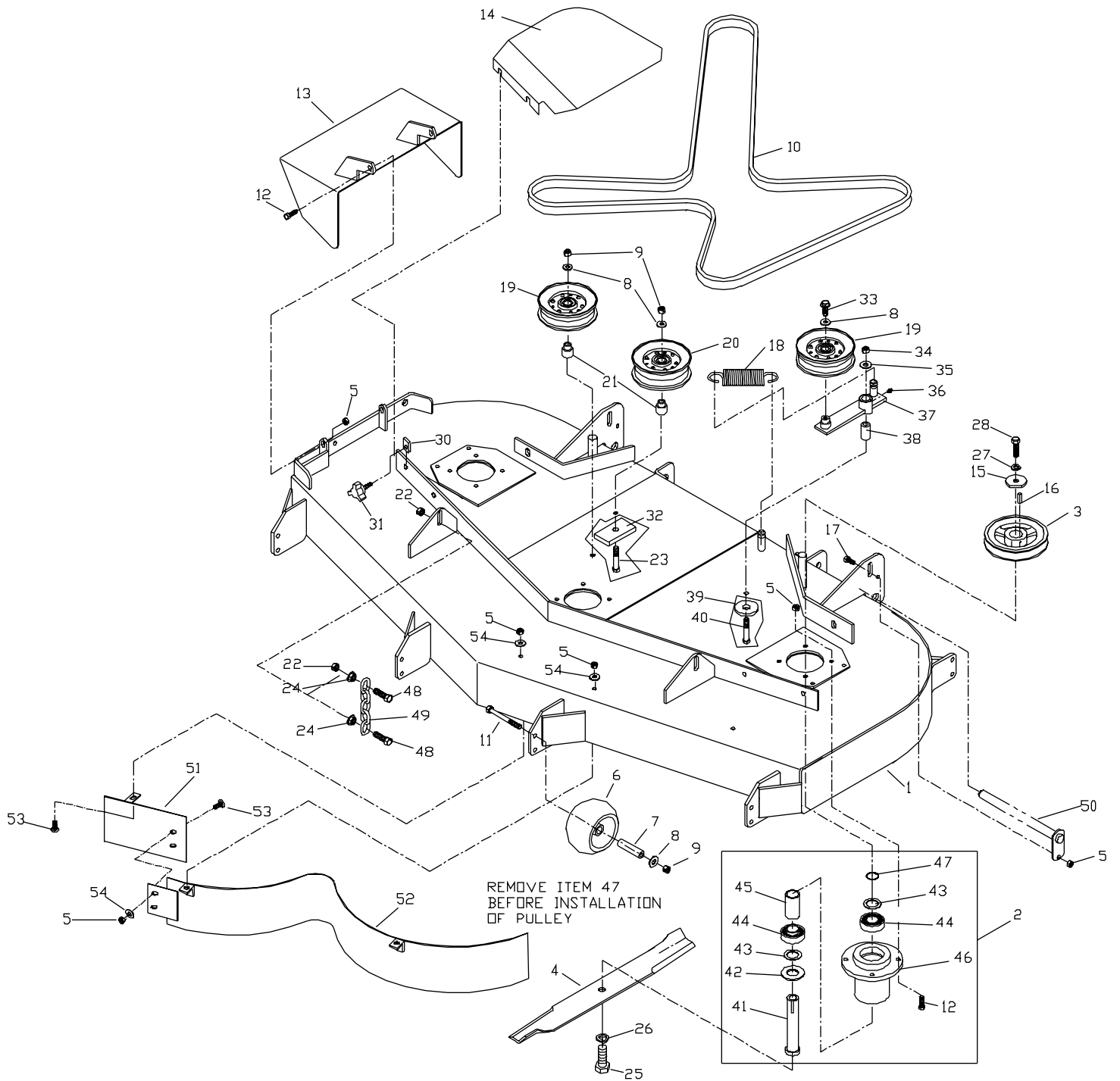
# EFI ENGINE ASSEMBLY



# EFI ENGINE ASSEMBLY

ITEM	PART NO.	QTY.	DESCRIPTION
1	539990184	6	NUT 5/16C CTR. LOCK
2	539990669	4	HCS 5/16C X 1.75
3	539104427	1	SPACER
4	539105308	1	KEY 1/4SQ. X 1.0
5	539104429	1	PULLEY
6	539104428	1	SPACER
7	539105406	1	ELECTRIC CLUTCH 200 lb.
8	539990427	1	7/16 LOCKWASHER
9	539991120	1	HCS 7/16F X 2.5
10	539103251	1	CLUTCH TIE DOWN
12	539105333	1	EFI HARNESS
13	539105335	1	MUFFLER
15	539105410	1	ENGINE MOUNT
16	539105025	1	ENGINE MOUNT
17	539990209	2	HCS 5/16C X 1
18	539990692	4	5/16 FLAT WASHER
19	539103433	4	HCS 1/2C X 3.25
20	539101331	4	NUT 1/2C NYLOC
21	539104959	4	ISOLATOR WASHER
22	539104958	4	ISOLATOR
24	539105034	4	ISOLATOR SPACER
25	539105072	1	ELBOW
26	539105073	1	PIPE 3/8 NPT.
27	539101362	1	OIL DRAIN HOSE
28	539101364	1	OIL DRAIN CAP
29	539101363	1	CLAMP
30	539990580	1	HCS 1/4C X 3/4
31	539990761	1	NUT 1/4C CTR. LOCK
32	539991034	3	SELF TAPPING SCREW
33	539976977	2	NUT #10-24
34	539105407	2	#10-24 X 2
35	539105408	2	WASHER #10
36	539105637	1	CLUTCH HARNESS

# FRONT DECK ASSEMBLY

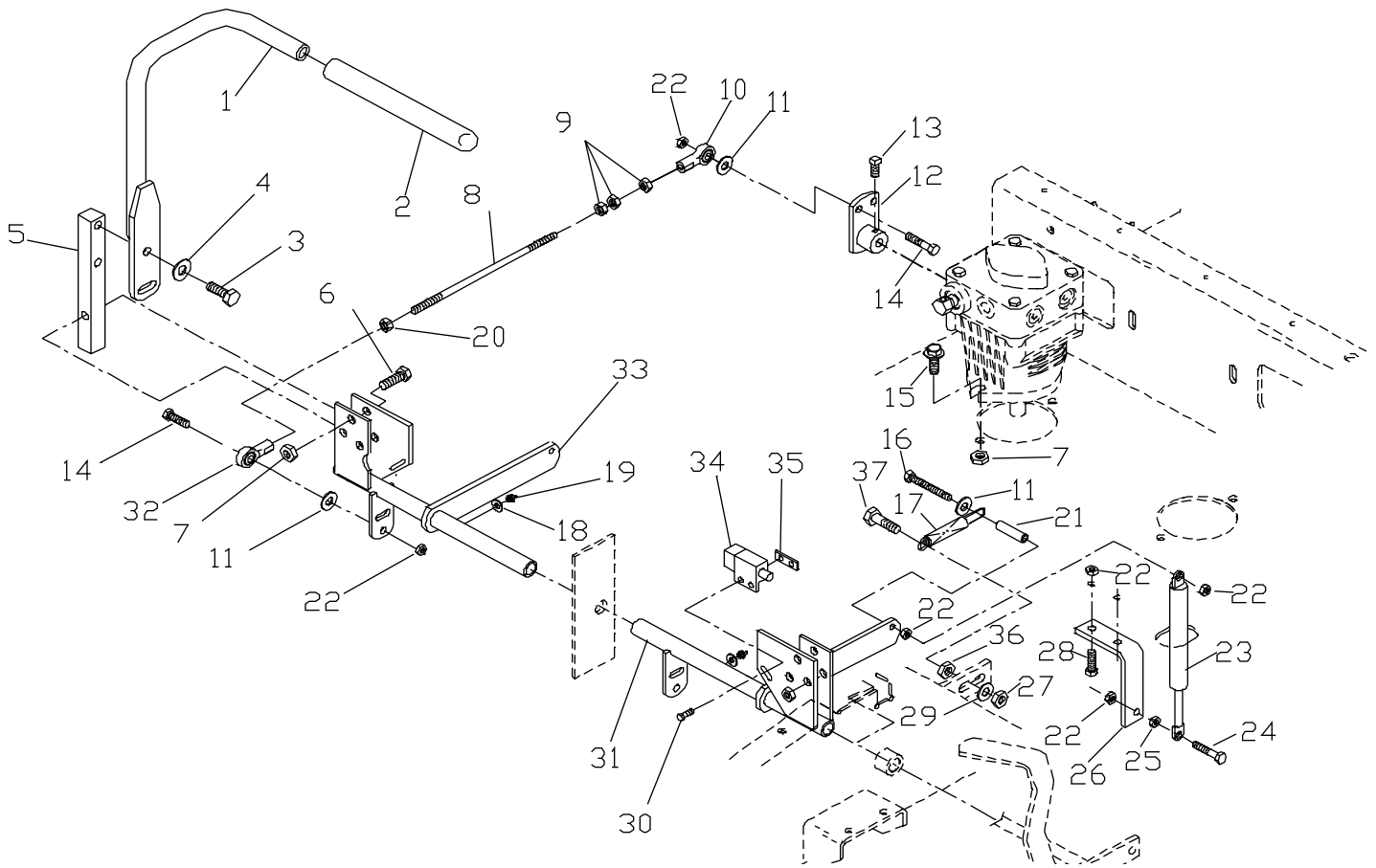




# FRONT DECK ASSEMBLY

ITEM	PART NO.	QTY.	DESCRIPTION	ITEM	PART NO.	QTY.	DESCRIPTION
1	539105149	1	61" DECK W/ DECALS	24	539102582	8	7/16C WHIZ NUT
	539105150	1	52" DECK W/ DECALS	25	539103299	3	HCS 5/8F X 1.25
2	539104403	3	CUTTER HOUSING ASM.	26	539990333	3	SLW 5/8
3	539104420	3	PULLEY 61" DECK	27	539990247	3	7/16 LOCK WASHER
	539104421	3	PULLEY 52" DECK	28	539100141	3	HCS 7/16F X 1.5
4	539101733	3	BLADE 21"	29	539105103	1	BELT SHIELD LT. 61"
	539100341	3	BLADE 18"		539105105	1	BELT SHIELD LT. 52"
5	539990184	21	NUT 5/6C CENTERLOCK	30	539104763	6	"U" CLIP
6	539102643	6	ROLLER	31	539104411	6	KNOB W/ STUD
7	539102698	6	BUSHING	32	539103303	2	PAD
8	539990517	9	WASHER 3/8 STD.	33	539990582	1	HCS 3/8C X 1 SERR.
9	539990546	8	NUT 3/8C CENTERLOCK	34	539101331	1	NUT 1/2C NYLOC
10	539104336	1	BELT 61"	35	539990550	1	1/2 FLAT WASHER
	539104335	1	BELT 52"	36	539976998	1	ZERK
11	539102754	6	HCS 3/8C X 3.5	37	539103230	1	IDLER ARM
12	539990209	14	HCS 5/16C X 1	38	539103427	1	PIVOT BUSHING
13	539104422	1	DISCHARGE CHUTE	39	539102243	1	SUPPORT WASHER
14	539105102	1	BELT SHIELD RT. 61"	40	539103433	1	HCS 1/2C X 3.25
	539105104	1	BELT SHIELD RT. 52"	41	539104402	1	SPINDLE
15	539100132	3	WASHER	42	539102675	1	MACH. BUSHING 10GA.
16	539101995	3	KEY 1/4SQ. X 1 1/8	43	539102244	2	MACH. BUSHING 18GA.
17	539976934	2	HCS 5/16C X 3/4	44	539102677	2	BEARING
18	539105192	1	SPRING	45	539102676	1	SPACER
19	539103257	2	IDLER PULLEY (1.31)	46	539104852	1	HOUSING
20	539103258	1	IDLER PULLEY (1.62)	47	539102253	1	"O" RING
21	539103295	2	IDLER BUSHING	48	539101175	8	HCS 7/16C X 1.5
22	539990839	8	NUT 7/16C CENTERLOCK	49	539102641	4	LIFT CHAIN
23	539990637	2	HCS 3/8C X 2.5	50	539102619	2	PIVOT PIN
				51	539105453	1	CENTER BAFFLE 52"
					539105461	1	CENTER BAFFLE 61"
				52	539105457	1	MAIN BAFFLE 52"
					539105465	1	MAIN BAFFLE 61"
				53	539990799	1	CARRIAGE BOLT
				54	539990692	5	5/16 FLAT WASHER

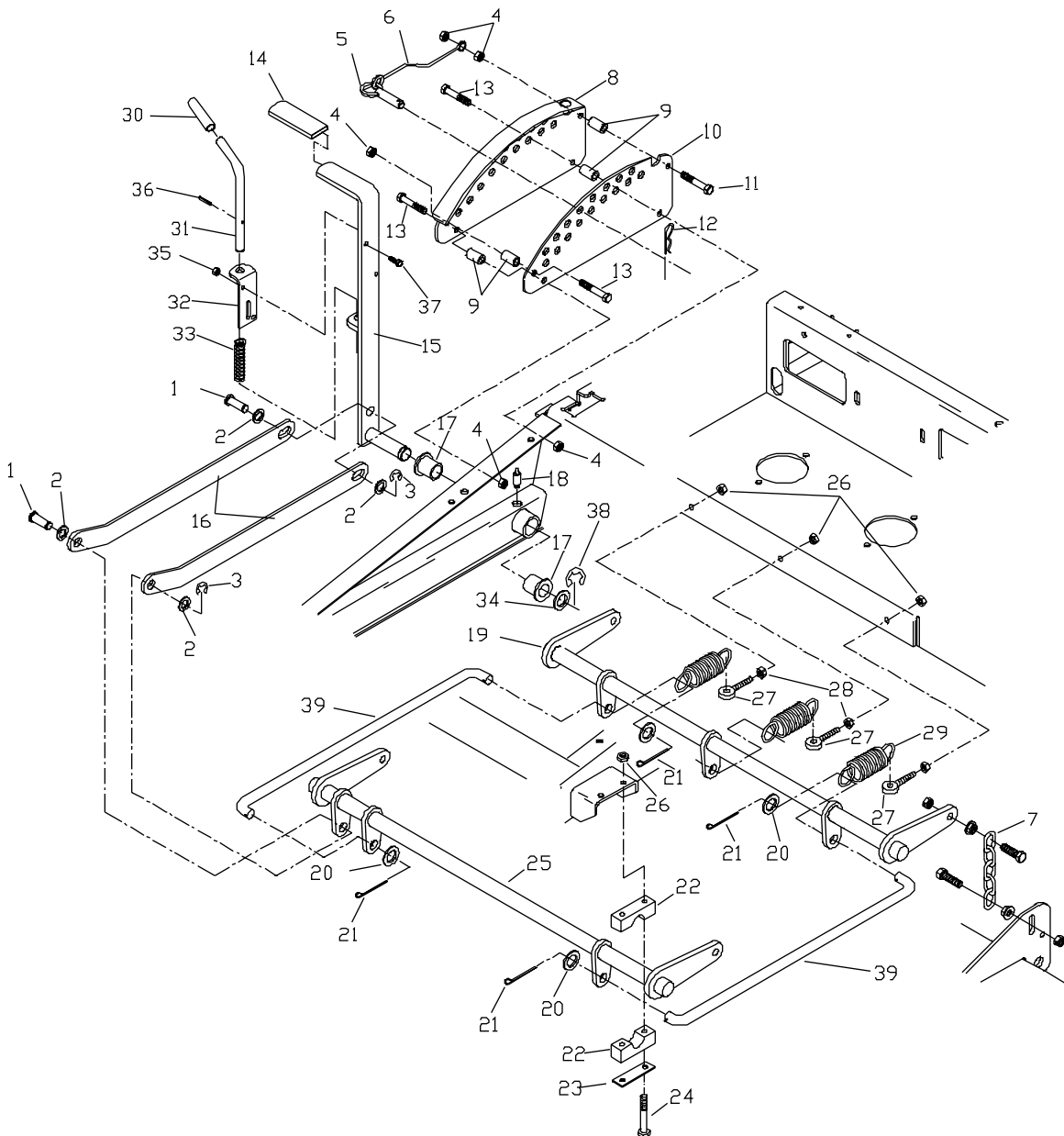
# MOTION CONTROL ASSEMBLY



# MOTION CONTROL ASSEMBLY

ITEM	PART NO.	QTY.	DESCRIPTION
1	539104190	2	CONT. LEVER
2	539102592	2	GRIP
3	539990563	4	HCS 3/8C X 1
4	539102593	4	3/8 SPRING WASHER
5	539102809	2	ARM CONT. SHAFT
6	539990655	6	HCS 3/8C X 1 1/2
7	539990546	10	NUT 3/8C CTR. LOCK
8	539105279	2	PUMP CONTROL LINK
9	539990223	6	NUT 5/16F
10	539102590	2	BALL JOINT RT.
11	539990692	6	5/16 FLAT WASHER
12	539104382	2	PUMP LEVER
13	539105079	2	5/16C X 5/8 "V" POINT
14	539990209	4	HCS 5/16C X 1
15	539990582	4	HCS 3/8C X 1
16	539991055	2	TAPBOLT 5/16C X 2.25
17	539103297	2	REV. DETENT SPRING
18	539103547	2	WASHER
19	539976998	2	ZERK
20	539991073	2	NUT 5/16F LH.
21	539104995	2	SPACER
22	539990184	14	5/16C CTR. LOCK
23	539102720	2	DAMPENER
24	539990627	4	HCS 5/16C X 1.25
25	539990585	2	5/16C WHIZ NUT
26	539105023	2	BRACKET "L"
27	539976979	2	3/8C NYLOC
28	539976934	4	HCS 5/16C X 3/4
29	539990517	2	3/8 FLAT WASHER
30	539976952	4	SCREW #10-24 X 5/8
31	539104363	1	CONTROL WLDMT. LEFT
32	539102591	1	BALL JOINT LH.
33	539104364	1	CONTROL WLDMT. RIGHT
34	539101080	2	SWITCH
35	539102678	2	TAPPED PLATE
36	539990613	2	3/8C WHIZ NUT
37	539990588	2	HCS 3/8C X 2
38	539102685	1	HOSE CLAMP

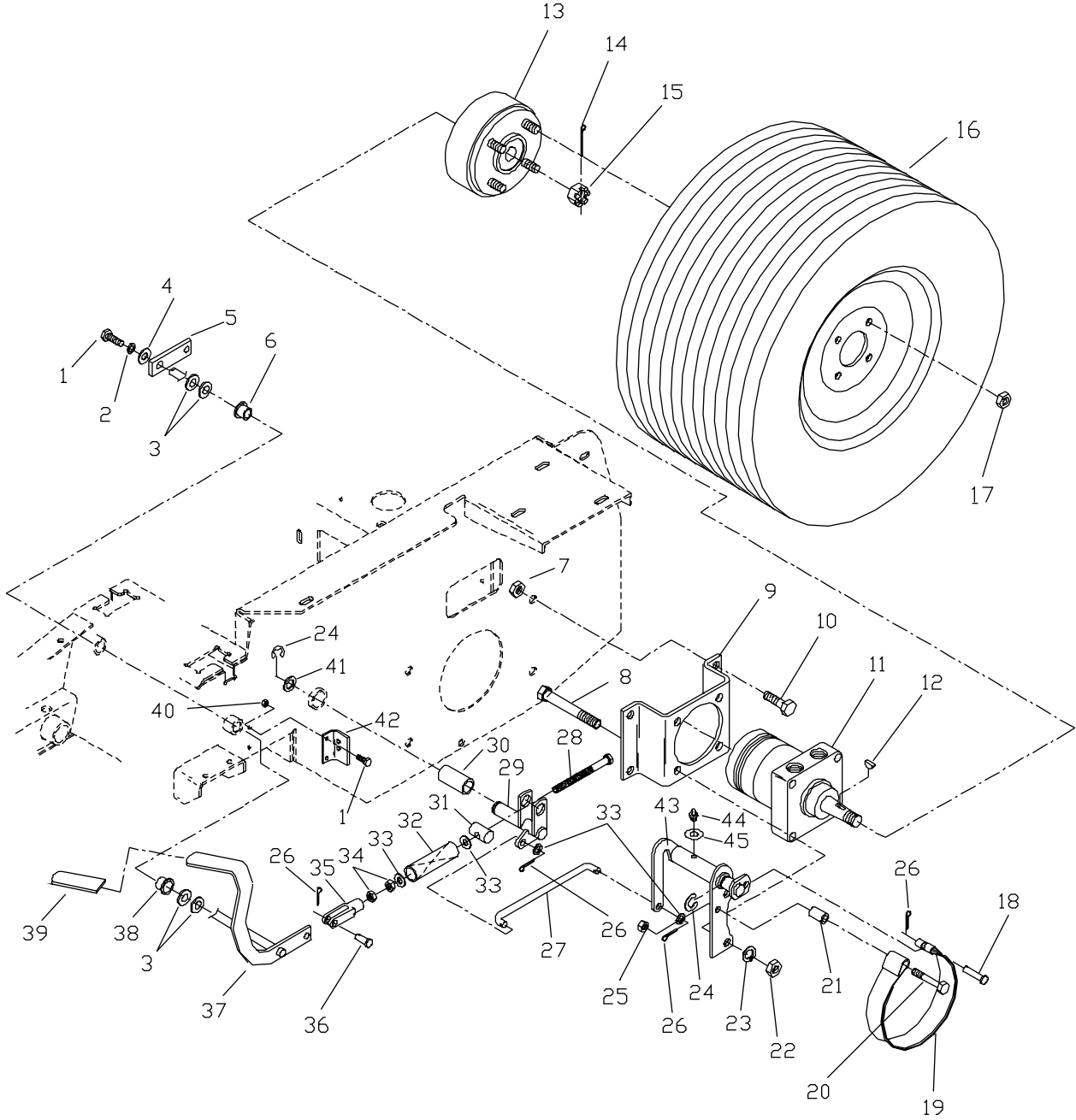
# DECK LIFT ASSEMBLY



# DECK LIFT ASSEMBLY

ITEM	PART NO.	QTY.	DESCRIPTION
1	539105060	2	CLEVIS PIN
2	539991043	4	MACH. BUSHING
3	539105069	2	5/8 E - RING
4	539990546	5	NUT 3/8C CTR. LOCK
5	539102526	1	HITCH PIN
6	539105059	1	LANYARD
7	539102641	4	LIFT CHAIN
8	539104321	1	ADJ. PLATE WLDMT.
9	539104530	4	DECK LIFT SPACER
10	539104323	1	ADJ. PLATE PAINTED
11	539990637	1	HCS 3/8C X 2.5
12	539976989	1	# 4 HAIR PIN
13	539990629	3	HCS 3/8C X 2.25
14	539102515	1	GRIP
15	539104320	1	LEVER WLDMT.
16	539105050	2	LIFT LINKAGE
17	539101232	2	FLANGE BUSHING
18	539104761	1	ZERK - LONG
19	539104389	1	LIFT SHAFT
20	539976982	4	5/8 SAE WASHER
21	539990654	4	COTTER PIN
22	539104808	8	PILLOW BLOCK
23	539104807	4	SUPPORT PLATE
24	539991046	8	HCS 5/16C X 2.5
25	539104424	1	LIFT SHAFT, FRONT
26	539990184	11	NUT 5/16C CTR. LOCK
27	539101982	3	EYE BOLT
28	539990585	3	5/16C WHIZ NUT
29	539104760	3	DECK LIFT SPRING
30	539101050	1	GRIP
31	539104523	1	PIN
32	539103534	1	PIN MT.,UPPER
33	539101058	1	SPRING
34	539923787	1	MACH. BUSHING
35	539990761	2	NUT 1/4C CTR. LOCK
36	539101082	1	3/16 X 1 ROLL PIN
37	539990580	2	HCS 1/4C X 3/4
38	539101802	1	7/8 E - RING
39	539104310	2	CONN. LINK

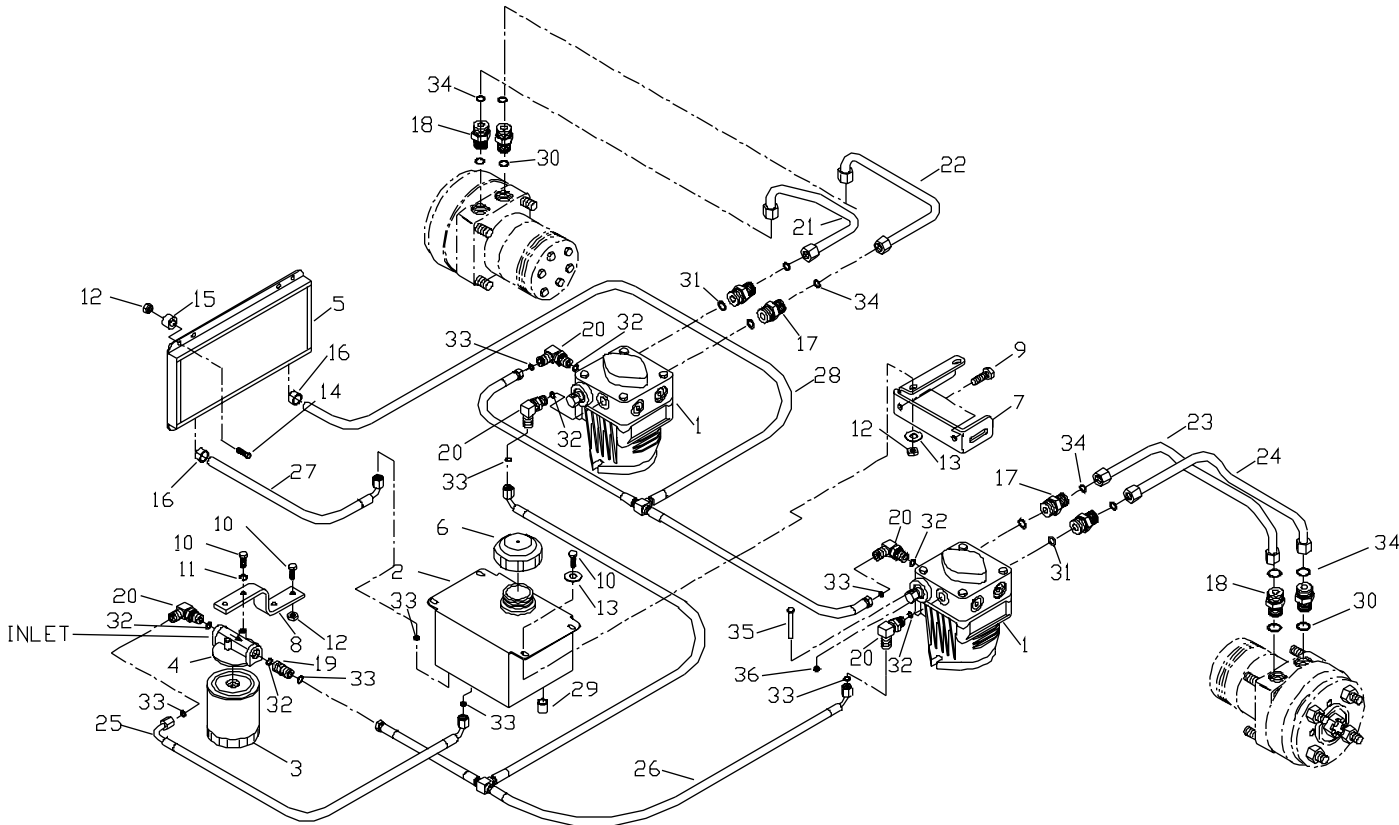
# PARK BRAKE ASSEMBLY



# PARK BRAKE ASSEMBLY

ITEM	PART NO.	QTY.	DESCRIPTION	ITEM	PART NO.	QTY.	DESCRIPTION
1	539990580	3	HCS 1/4C X 3/4	23	539990254	8	1/2 LOCK WASHER
2	539990052	1	1/4 LOCK WASHER	24	539102454	4	E - RING 3/4
3	539102843	4	WASHER 7/16 SPRING	25	539990546	2	NUT 3/8C CTR. LOCK
4	539990598	1	1/4 FLAT WASHER	26	539990365	8	COTTER PIN
5	539103576	1	ARM, PARK BRAKE	27	539105303	1	BRAKE LINKAGE LT.
6	539102519	2	BUSHING		539105302	1	BRAKE LINKAGE RT.
7	539101331	8	NUT 1/2C NYLOC	28	539104984	2	HCS 3/8F SPECIAL
8	539101332	8	HCS 1/2C X 2.75	29	539105040	2	BELLCRANK
9	539104327	2	MOTOR STANDOFF	30	539105044	2	BRONZE BEARING
10	539990622	8	HCS 1/2C X 1.25	31	539102821	2	TRUNION PIN
11	539104417	2	WHEEL MOTOR	32	539104986	2	SPRING
12	539105278	2	WOODRUFF KEY	33	539990122	6	3/8 SAE WASHER
13	539102415	2	HUB W/ BRAKE DRUM	34	539990155	4	NUT 3/8F
14	539990297	2	COTTER PIN	35	539977465	2	YOKE
15	539105277	2	CASTLE NUT	36	539977703	2	3/8 X 1.125
16	539104412	2	REAR TIRE ASSEMBLY	37	539104351	1	BRAKE LEVER WLDMT.
	539105152	1	TIRE	38	539102519	2	BUSHING
	539105153	1	RIM	39	539105036	1	GRIP
	539912234	1	AIR VALVE	40	539990372	2	1/4C LOCK NUT
17	539101173	8	LUG NUT 1/2F	41	539991050	2	MACH. BUSHING 3/4
18	539102455	2	3/8 X 1.50 CLEVIS PIN	42	539105029	1	BRACKET
19	539102822	2	BRAKE BAND	43	539104346	1	LEFT BRAKE BKT.
20	539105070	2	HCS 3/8C X 3 GD 8		539104347	1	RIGHT BRAKE BKT.
21	539105043	2	SPACER	44	539976998	2	ZERK
22	539990258	8	NUT 1/2C	45	539103547	2	WASHER

# HYDRAULIC SYSTEM ASSEMBLY

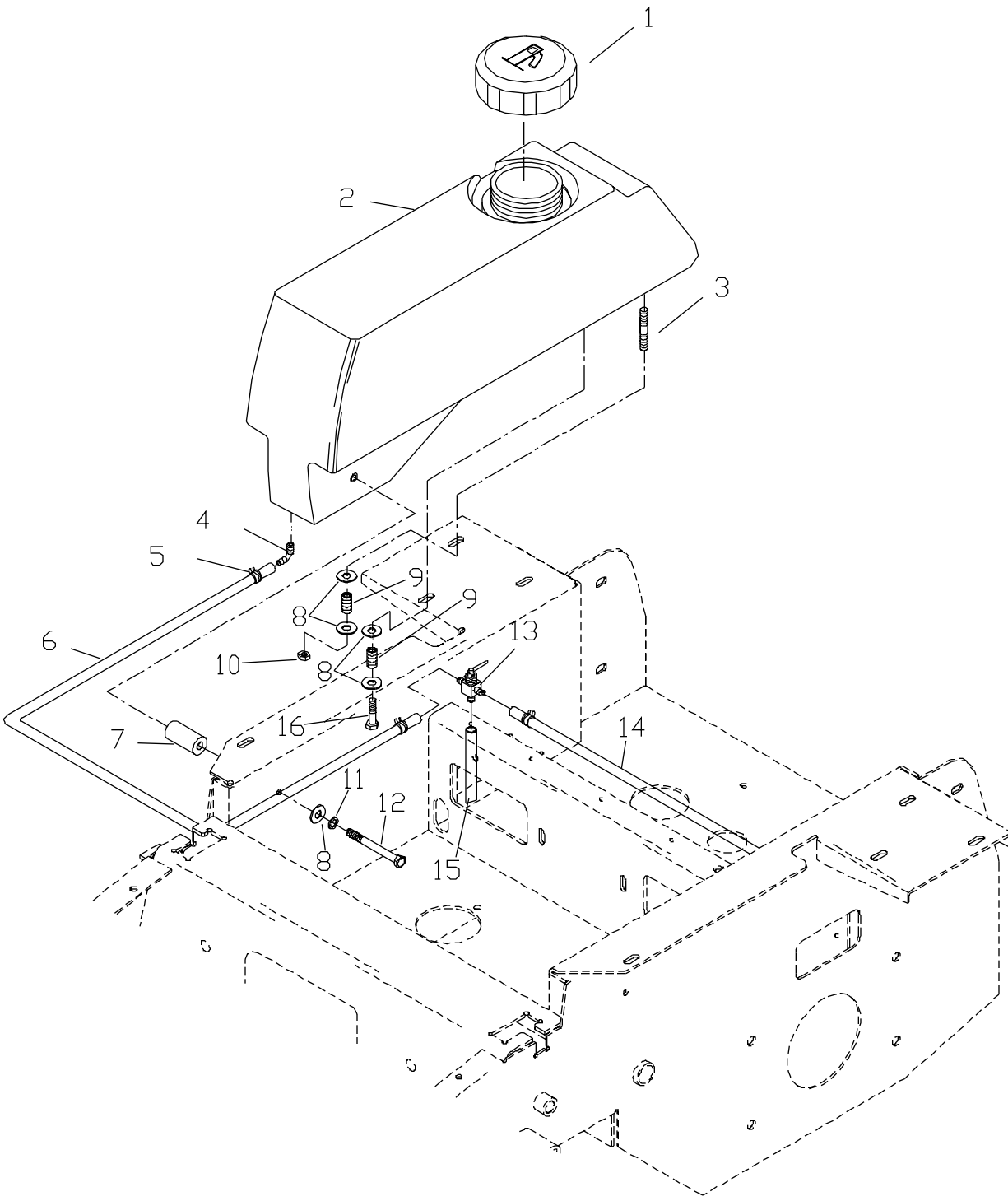




# HYDRAULIC SYSTEM ASSEMBLY

ITEM	PART NO.	QTY.	DESCRIPTION
1	539104529	2	PUMP
2	539105024	1	OIL TANK
3	539102606	1	FILTER
4	539101165	1	FILTER HEAD
5	539105167	1	COOLER
6	539101202	1	HYD. CAP
7	539105027	1	TANK MOUNT LT.
	539105026	1	TANK MOUNT RT.
8	539105028	1	FILTER BRACKET
9	539976934	4	HCS 5/16 X 3/4
10	539990580	8	HCS 1/4C X 3/4
11	539990052	2	1/4 LOCK WASHER
12	539990372	10	1/4 LOCK NUT
13	539990598	8	1/4 FLAT WASHER
14	539990892	4	HCS 1/4C X 2.25
15	539923515	4	SPACER
16	539976966	2	HOSE CLAMP
17	539101237	4	F6400-8-8-0
18	539102396	4	STR. FITTING
19	539103316	1	F6400-6-6-0
20	539101238	5	F6801-6-6-0
21	539104393	1	R. OUTSIDE TUBE
22	539104394	1	R. INSIDE TUBE
23	539104395	1	L.INSIDE TUBE
24	539104396	1	L. OUTSIDE TUBE
25	539104722	1	7" TUBE
26	539104723	1	"T"ASM
27	539104896	1	HOSE
28	539105154	1	"T"ASM
29	539105168	1	CAP
30	539103115	4	3/4 "O" RING
31	539103116	4	1/2 "O" RING
32	539103117	6	3/8 "O" RING
33	539103118	8	3/8 "O" RING FLARE
34	539103119	8	3/8 "O" RING FLARE
35	539102233	2	CLEVIS PIN
36	539102234	2	PUSH NUT
37	539102685	1	HOSE CLAMP (NOT SHOWN)

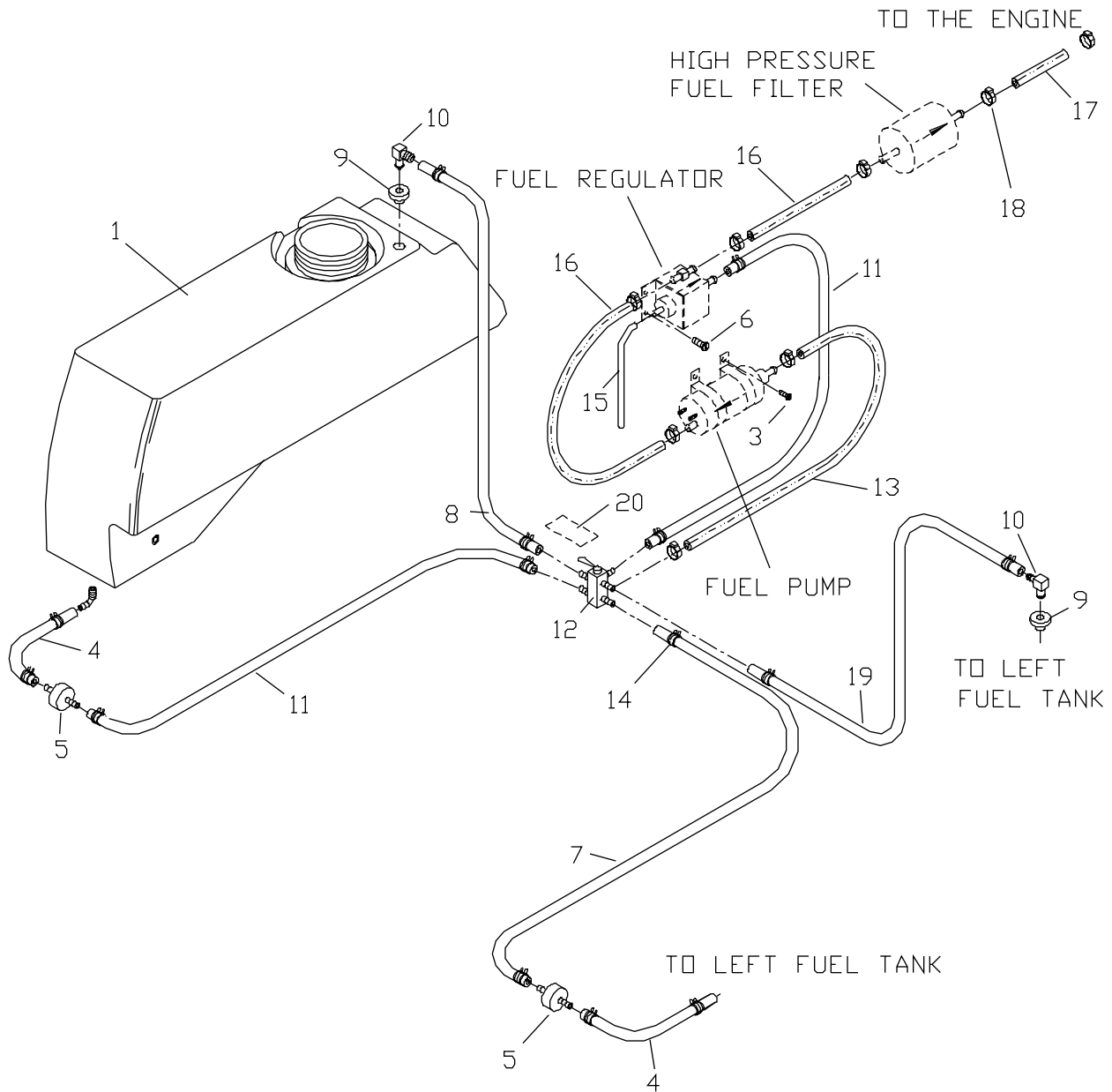
# FUEL ASSEMBLY



# FUEL ASSEMBLY

ITEM	PART NO.	QTY.	DESCRIPTION
1	539104962	2	FUEL CAP
2	539104410	1	RT. FUEL TANK
	539104409	1	LT. FUEL TANK
3	539102502	6	STUD
4	539102650	2	90 DEG. HOSE BARB
5	539912222	6	HOSE CLAMP
6	539105281	1	FUEL LINE 30" (2 ON KAW.)
7	539104897	2	TANK SPACER
8	539990692	18	5/16 FLAT WASHER
9	539102845	8	SPRING
10	539990184	8	5/16C LOCKNUT
11	539990187	2	5/16 LOCK WASHER
12	539102335	2	HCS 5/16C X 4
13	539102679	1	FUEL VALVE
14	539105280	1	FUEL LINE 41"
15	539104980	1	FUEL LINE 16" (KOHLER)
16	539990209	2	HCS 5/16C X 1

# EFI FUEL ASSEMBLY



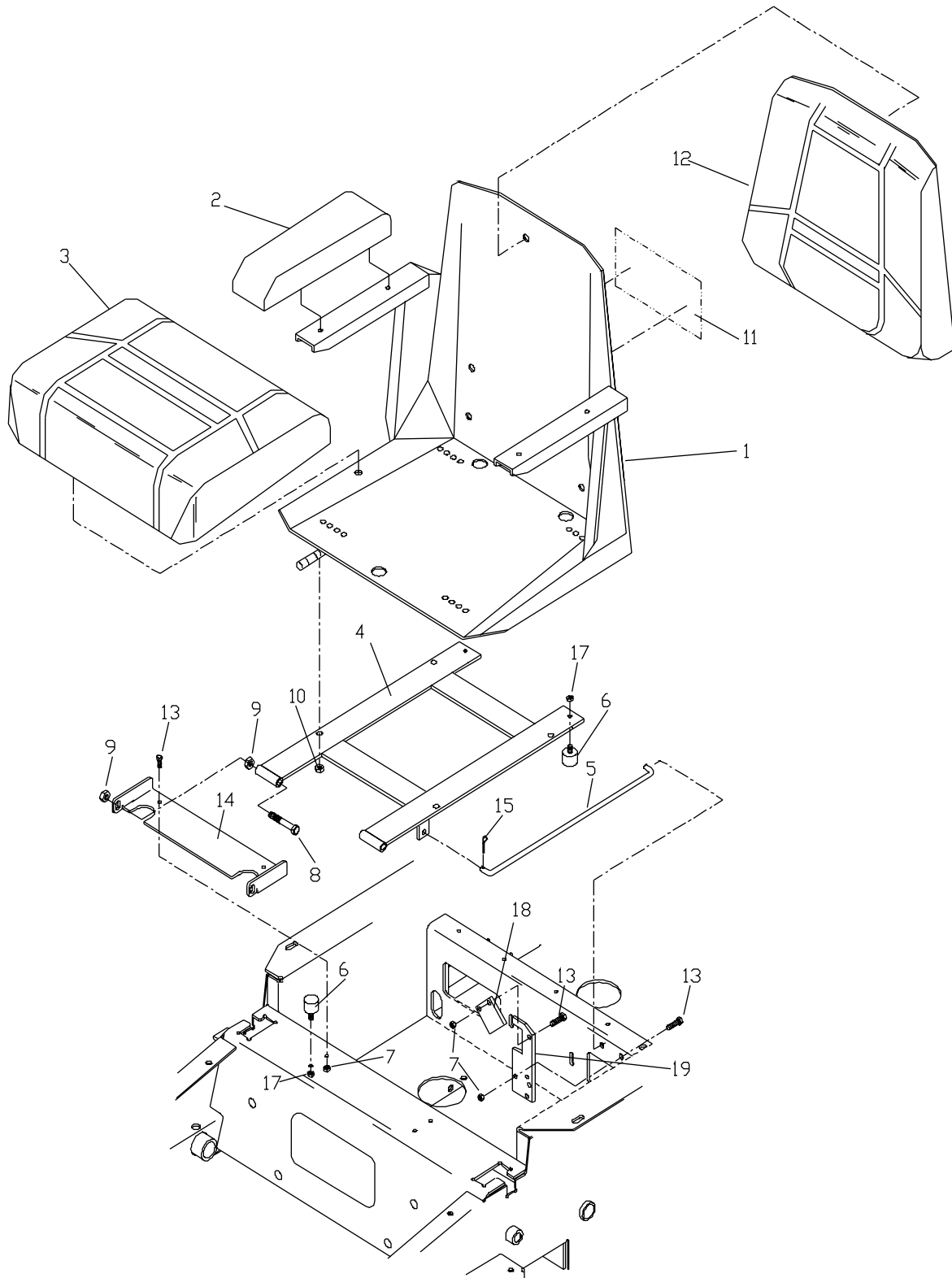
# EFI FUEL ASSEMBLY

ITEM	PART NO.	QTY.	DESCRIPTION
1	539105330	1	RT. FUEL TANK
2	539105329	1	LT. FUEL TANK (NOT SHOWN)
3	539991034	4	SELF TAPPING SCREW
4	539977351	2	FUEL LINE
5	539914359	2	FILTER
6	539105532	6	1/4-20 SELF TAPPING SCREW
7	539105531	1	FUEL LINE
8	539105526	1	FUEL LINE
9	539105245	2	RUBBER GROMMET
10	539105244	2	ELBOW
11	539105527	2	FUEL LINE
12	539105331	1	FUEL VALVE
13	539105398	1	EFI HOSE
14	539912222	14	HOSE CLAMP
15	539105411	1	VENT HOSE
16	539105399	2	EFI HOSE
17	539105400	1	EFI HOSE
18	539105529	8	CLAMPS
19	539105530	1	FUEL LINE
20	539105334	1	DECAL, FUEL VALVE
21	539104962	2	FUEL CAP(NOT SHOWN)

**NOTE: Items 13, 16, and 17 are high pressure fuel lines**

**Refer to Kohler engine manual for information on the fuel regulator, fuel pump, and the high pressure fuel filter.**

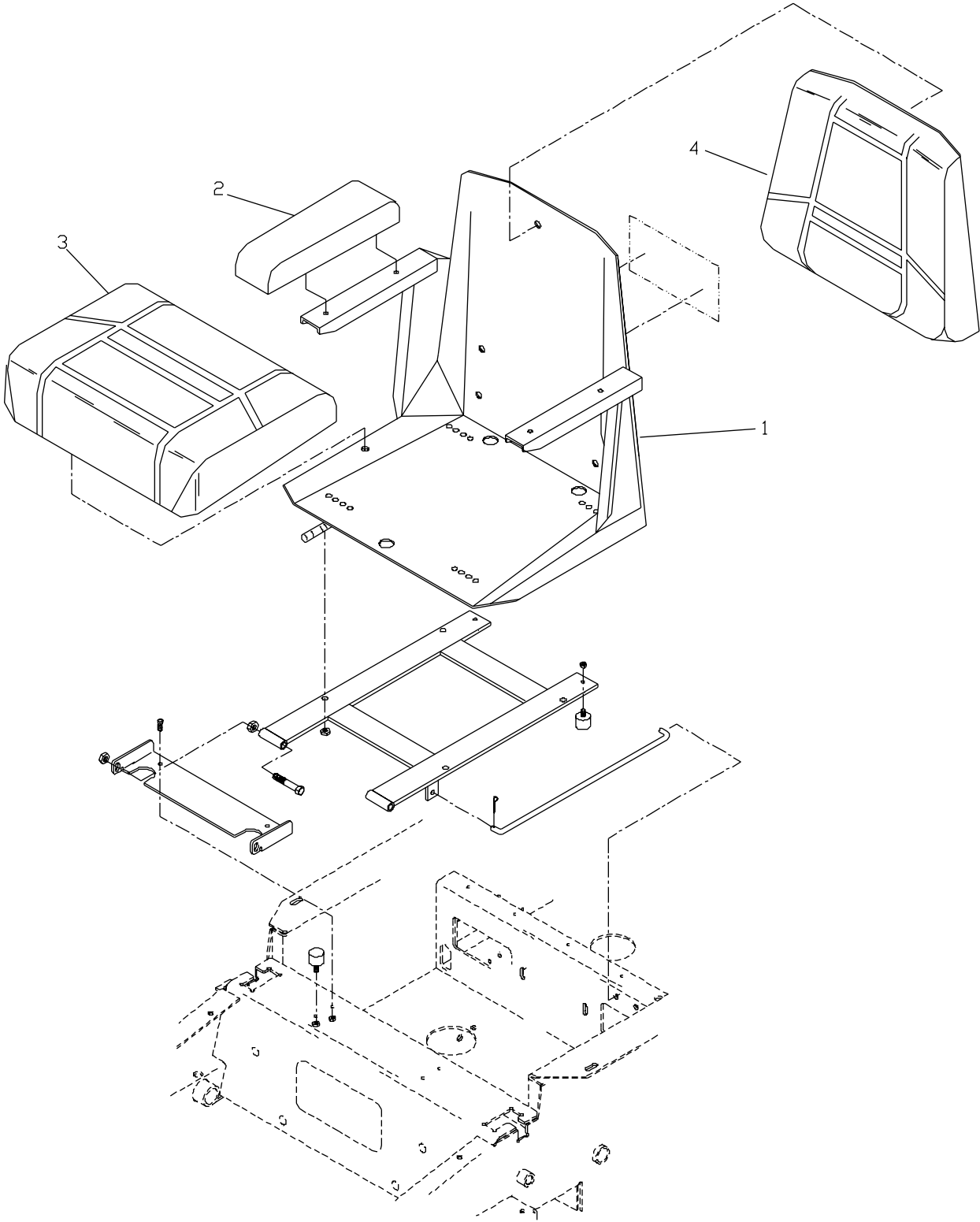
# SEAT ASSEMBLY



# SEAT ASSEMBLY

ITEM	PART NO.	QTY.	DESCRIPTION
1	539104584	1	SEAT, COMPLETE
2	539102844	1 Pair	ARM REST CUSHIONS (Left & Right)
3	539102539	1	SEAT CUSHION W/SWITCH
4	539105283	1	SEAT MOUNT
5	539104525	1	SEAT ROD
6	539105039	4	STUD / PLATE MOUNT
7	539990372	5	1/4C LOCKNUT
8	539101341	2	HCS 3/8C X 3
9	539990546	4	NUT 3/8C CTR. LOCK
10	539990184	4	NUT 5/16C CTR. LOCK
11	539104789	1	DECAL, CROWN
12	539104565	1	SEAT BACK CUSHION
13	539990580	5	HCS 1/4C X 3/4
14	539105224	1	SEAT BKT. W/DECAL
15	539990365	1	COTTER PIN
16	539105294	1	SEAT RAILS (NOT SHOWN)
17	539976978	4	NUT 1/4C NYLOC
18	539102917	1	SEAT LATCH
19	539105282	1	SEAT LATCH MOUNT

# SUSPENSION SEAT ASSEMBLY

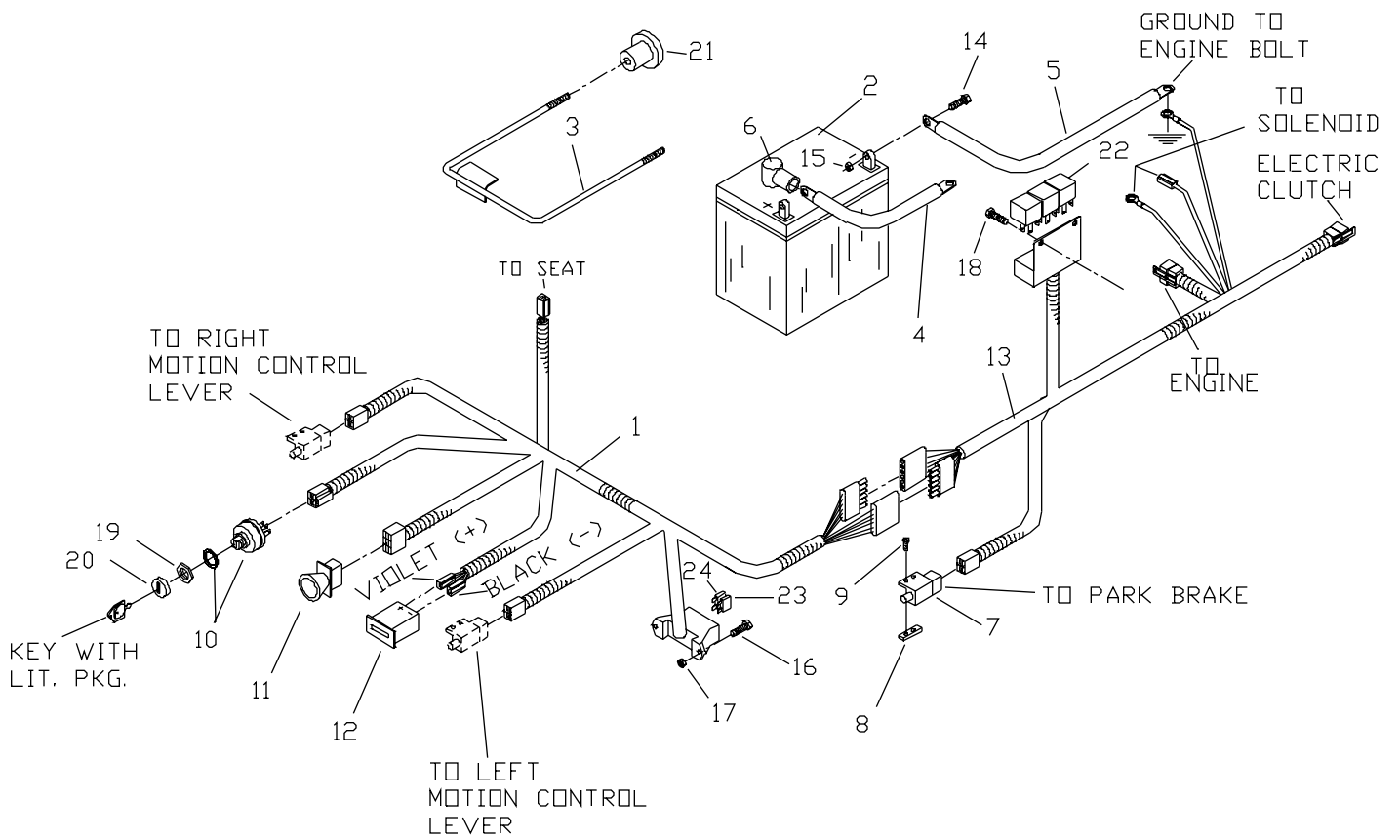




# SUSPENSION SEAT ASSEMBLY

ITEM	PART NO.	QTY.	DESCRIPTION
1	539105211	1	SEAT, COMPLETE
2	539105539	2	ARM REST CUSHION
3	539105541	1	SEAT CUSHION
4	539105540	1	BACK CUSHION
5	539105542	1	SWITCH, SEAT
6	539105544	2	SEAT RAILS
7	539105545	1	SEAT HARNESS

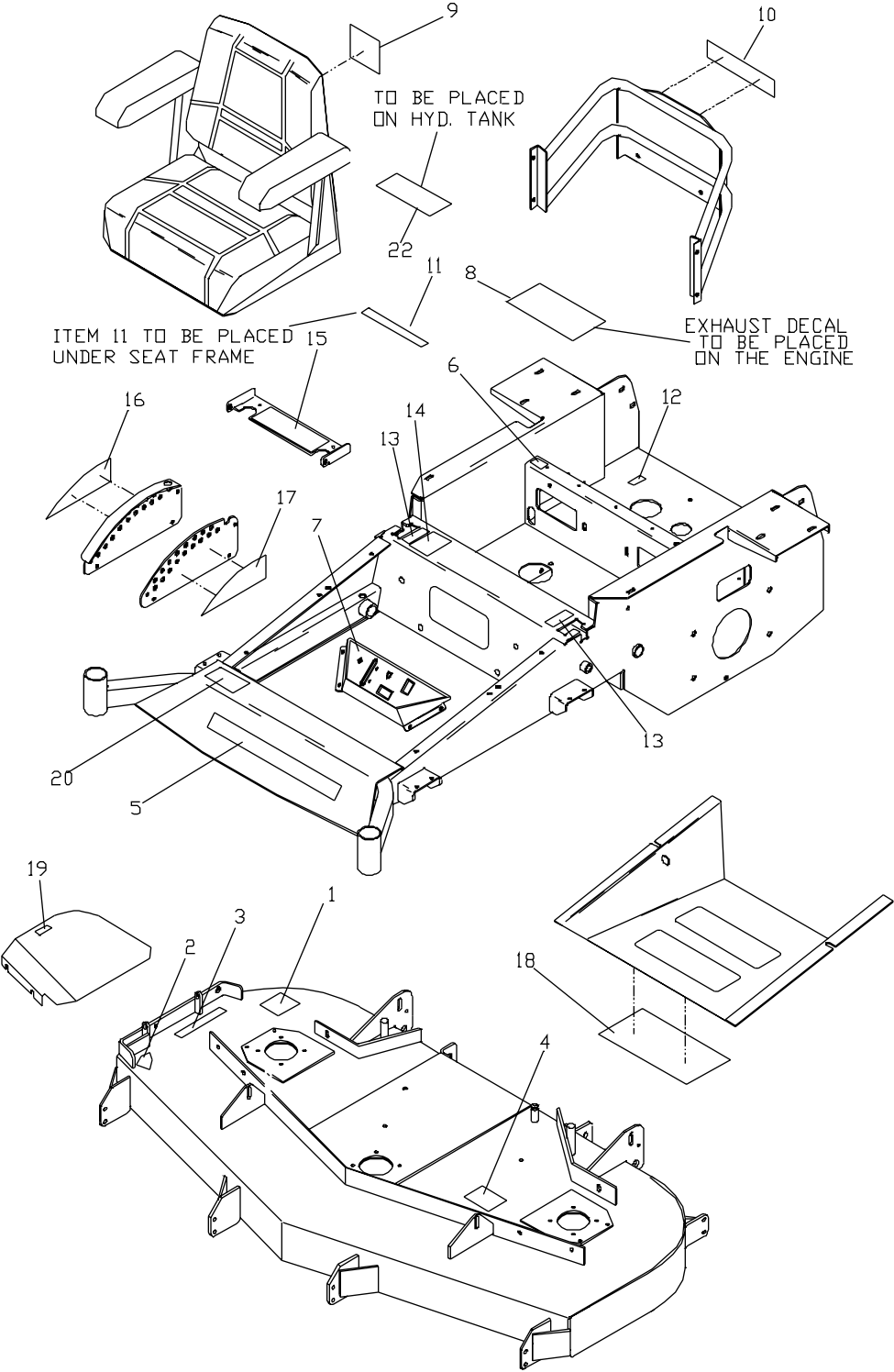
# WIRING ASSEMBLY



# WIRING ASSEMBLY

ITEM	PART NO.	QTY.	DESCRIPTION
1	539104414	1	CONSOLE HARNESS
2	539102463	1	12V BATTERY
3	539104344	1	BATTERY HOLD DOWN
4	539104974	1	POSITIVE CABLE
5	539102758	1	NEGITIVE CABLE
6	539102759	2	INSULATOR
7	539101080	1	INTERLOCK SWITCH
8	539102678	1	TAPPED PLATE
9	539976952	2	#10-24 X 5/8
10	539101770	1	IGNITION SWITCH
11	539101768	1	BLADE SWITCH
12	539102540	1	HOUR METER
13	539104964	1	FRAME HARNESS
14	539976934	2	HCS 5/16C X 3/4
15	539990184	2	NUT 5/16C CTR. LOCK
16	539102617	2	#10-24 X 7/8 SCREW
17	539976977	2	#10-24 HEX NYLOC NUT
18	539991034	2	SELF TAPPING SCREW
19	539103177	1	NUT IGN. SWITCH
20	539103178	1	CAP, IGN. SWITCH
21	539105169	2	KNOB
22	539102914	3	RELAY
23	539101771	1	7.5 AMP 32V ATO FUSE
24	539102086	1	20.0 AMP 32V ATO FUSE
25	539105300	1	KOHLER PIGTAIL(NOT SHOWN)
26	539105247	1	GAGE HARNESS(NOT SHOWN)

# DECAL PLACEMENT ASSEMBLY



# DECAL PLACEMENT ASSEMBLY

ITEM	PART NO.	QTY.	DESCRIPTION
1	539105232	1	DECAL, ANTI SCALP
2	539100344	1	DECAL, DANGER
3	539913010	1	DECAL, WARNING
4	539105012	1	DECAL, BELT ROUTING
5	539104790	1	DECAL, HUSQVARNA
6	539102670	1	DECAL, FUEL VALVE
7	539105010	1	DECAL, CONSOLE
8	539100128	1	DECAL, EXHAUST
9	539104789	1	DECAL, CROWN
10	539104787	1	DECAL, HUSQVARNA
11	539102669	1	DECAL, BATTERY
12	539101881	1	DECAL, PROP 65
13	539103333	2	DECAL, MOTION CONTROL
14	539103328	1	DECAL, THROWN OBJECTS
15	539103331	1	DECAL, WARNING
16	539104898	1	DECAL, HEIGHT
17	539104899	1	DECAL, HEIGHT
18	539105011	1	DECAL, SERVICE
19	539102892	2	DECAL, NO STEP
20	539105071	1	DECAL, NASCAR
21	539105051	3	DECAL, 5221(NOT SHOWN)
	539105052	3	DECAL, 5223
	539105053	3	DECAL, 5223L
	539105054	3	DECAL, 5225
	539105056	3	DECAL, 6125
22	539105301	1	DECAL, MOBIL 1