

HOOD KIT PART NO. (539) 109395 FOR Z12 HOOD KIT PART NO. (539) 109396 FOR Z9

1. Remove screen vent from container.
2. Open container door.
3. Drill out rivets that hold aluminum air dam and remove from container.
4. Mount new air dam with hardware provided, #10 washer, #10 screws and #10 nyloc nuts. Make sure to orient air dam with formed leg at bottom toward rear of container.
5. Measure and mark centers for the eight (8) 3 1/4" vent holes on the top of container. See Figure 1.
6. Using a 3 1/4" hole saw, drill eight (8) holes in the top of the container.

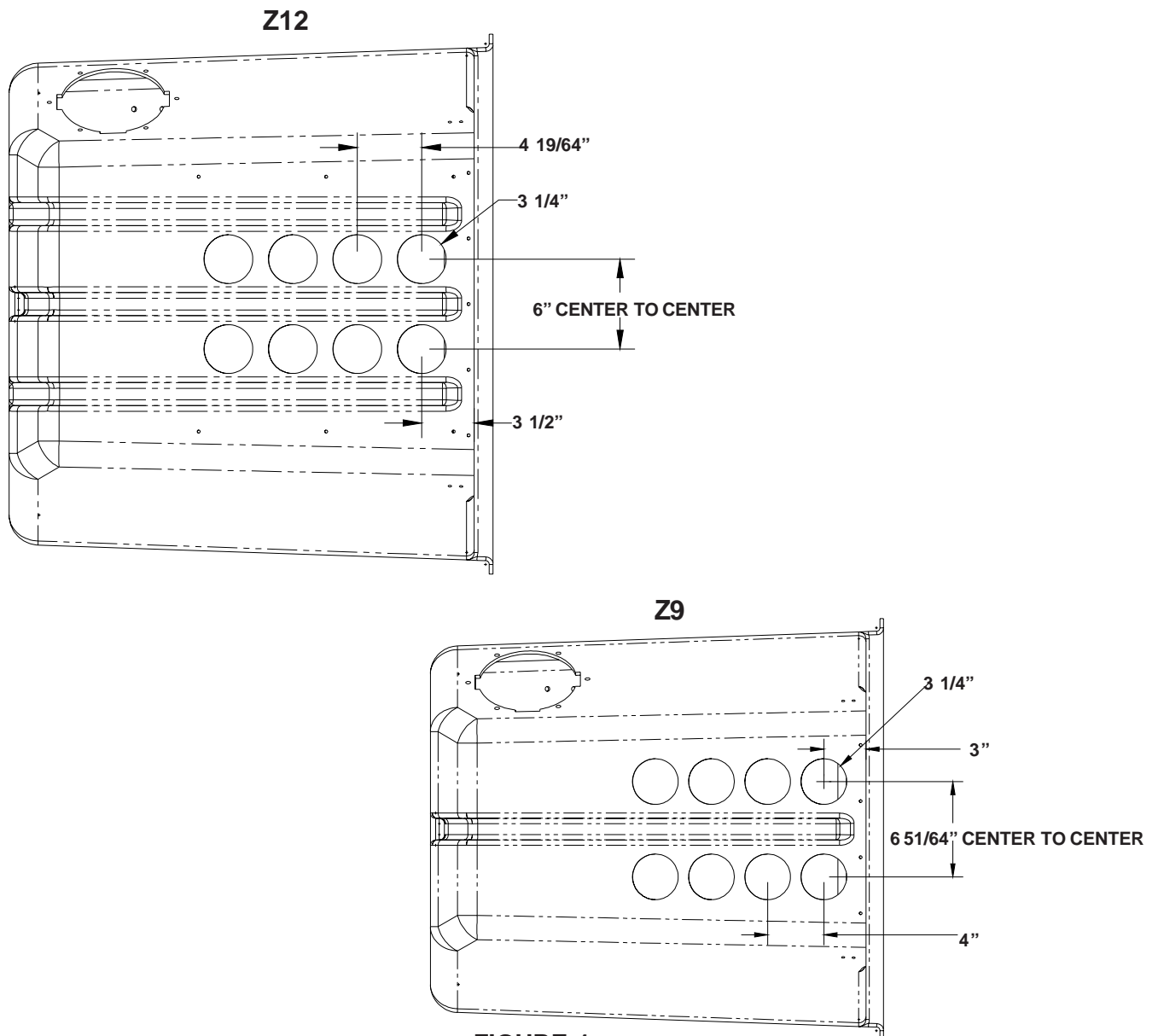


FIGURE 1

- Using the hood as a template place hood on top of container and mark the six (6) mounting holes. Remove hood and drill 1/4" dia. holes. Align hood as shown in Figure 2.

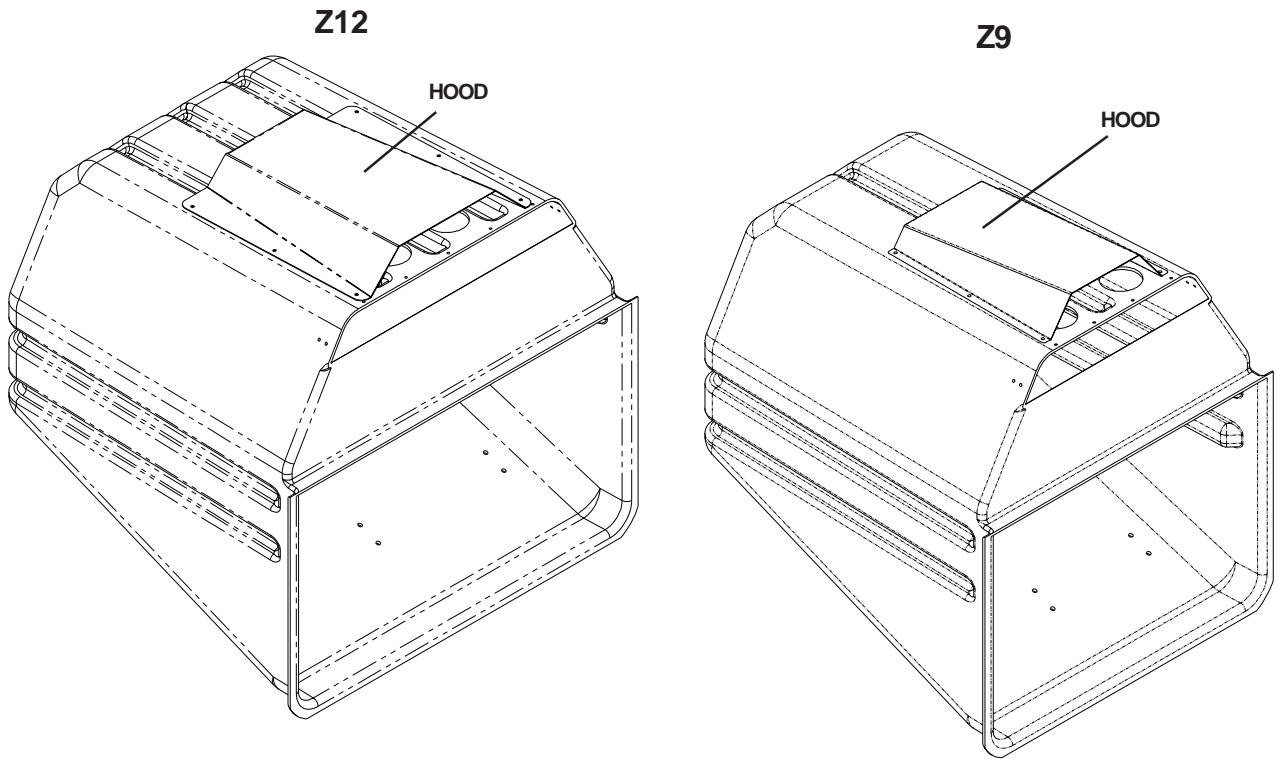


FIGURE 2

- Mount hood using the six (6) #10 screws and #10 nyloc nuts provided.
- Reinstall screen vent and secure.

PARTS

ITEM	PART NO.	QTY.	DESCRIPTION
1	(539) 108309	1	HOOD - Z12
2	(539) 108311	1	AIR DAM - Z12
3	(539) 109399	1	HOOD - Z9
4	(539) 109397	1	AIR DAM - Z9
5	(539) 108535	10	SCREW #10-24 X 3/4
6	(539) 976977	10	NUT, #10-24, NYLOC
7	(539) 105408	4	WASHER, #10