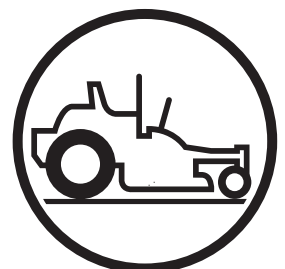


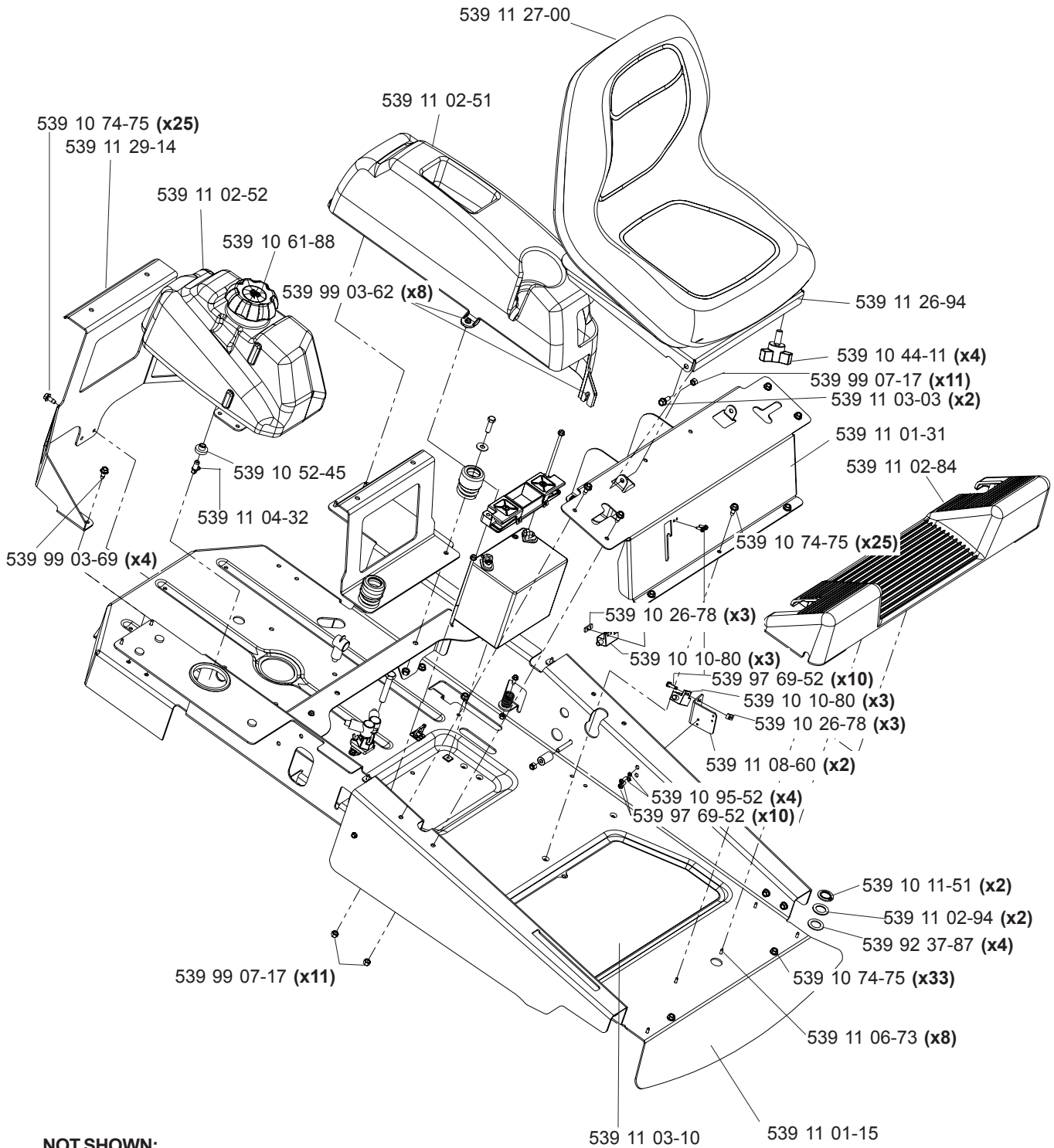
Parts manual
Z4822/968999301
Z4824/968999303



Please read the operator's manual carefully and make sure you understand the instructions before using the machine.

English

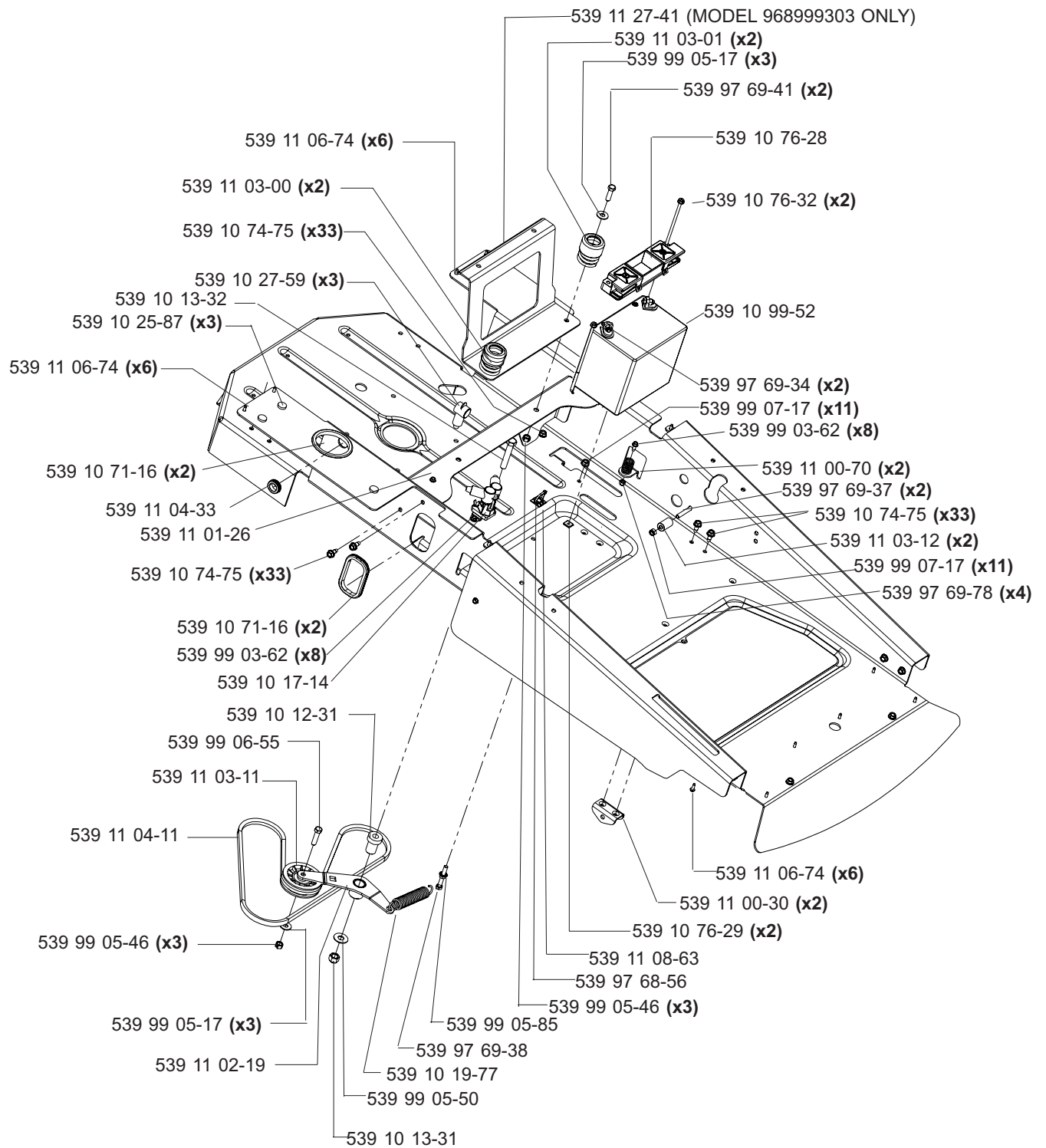
MAIN FRAME



NOT SHOWN:

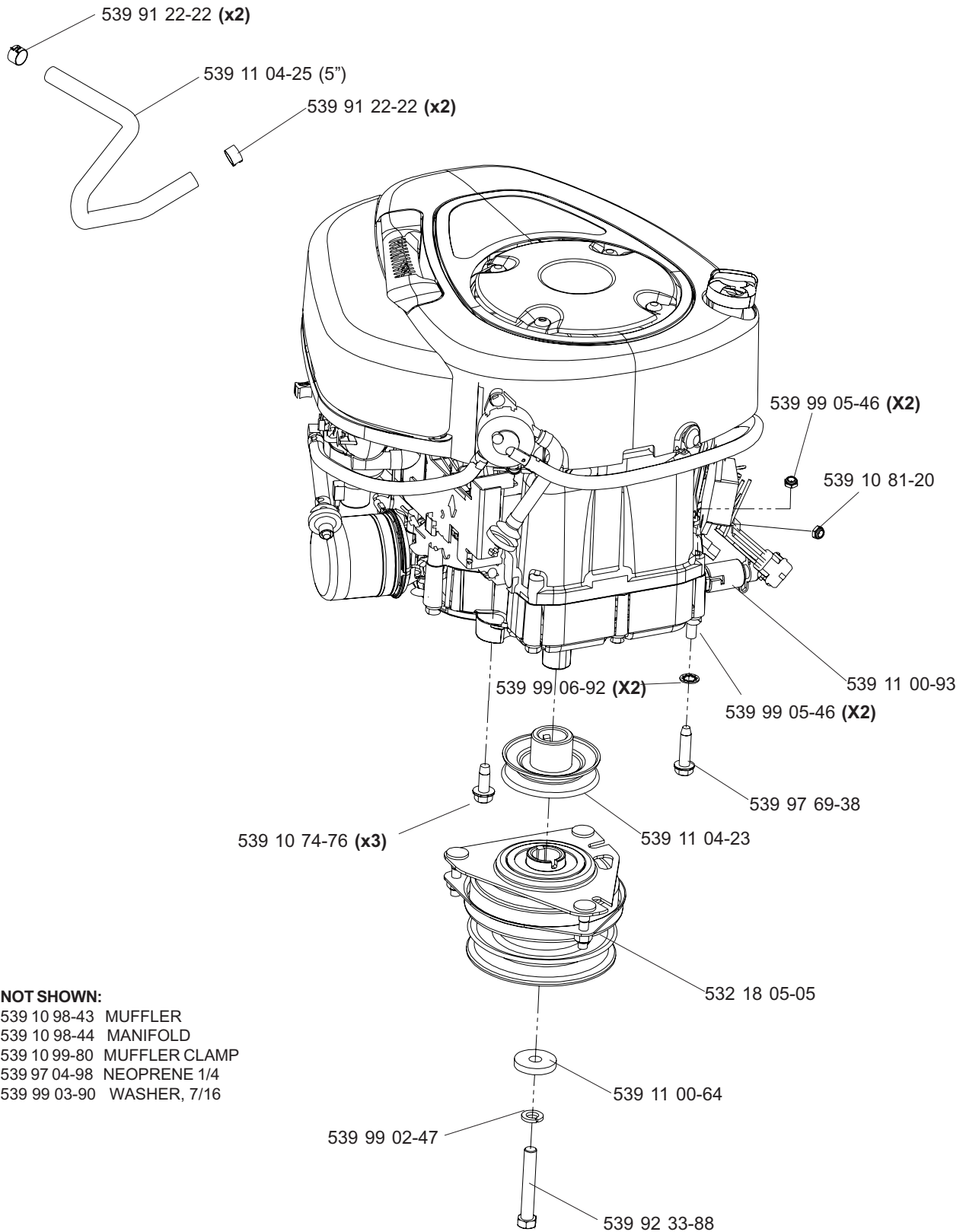
- 539 10 75-23 SEAT SWITCH ????
- 539 10 76-16 BATTERY CABLE, POSITIVE
- 539 11 00-68 BATTERY CABLE, NEGATIVE
- 539 11 02-90 FOAM STRIP, FUEL TANK
- 539 11 03-09 WIRE HARNESS

MAIN FRAME

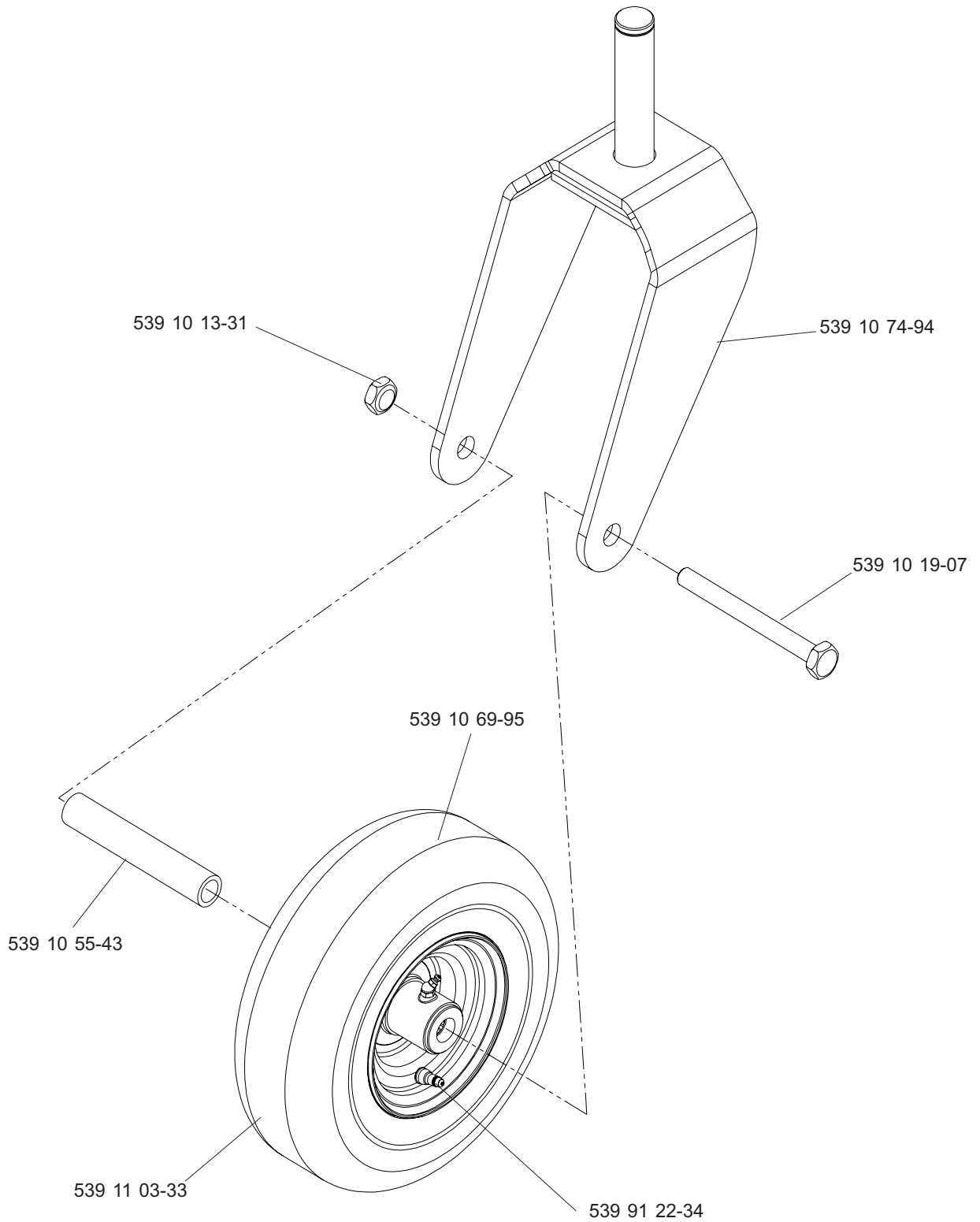


ENGINE ASSEMBLY (22 & 24 HP)

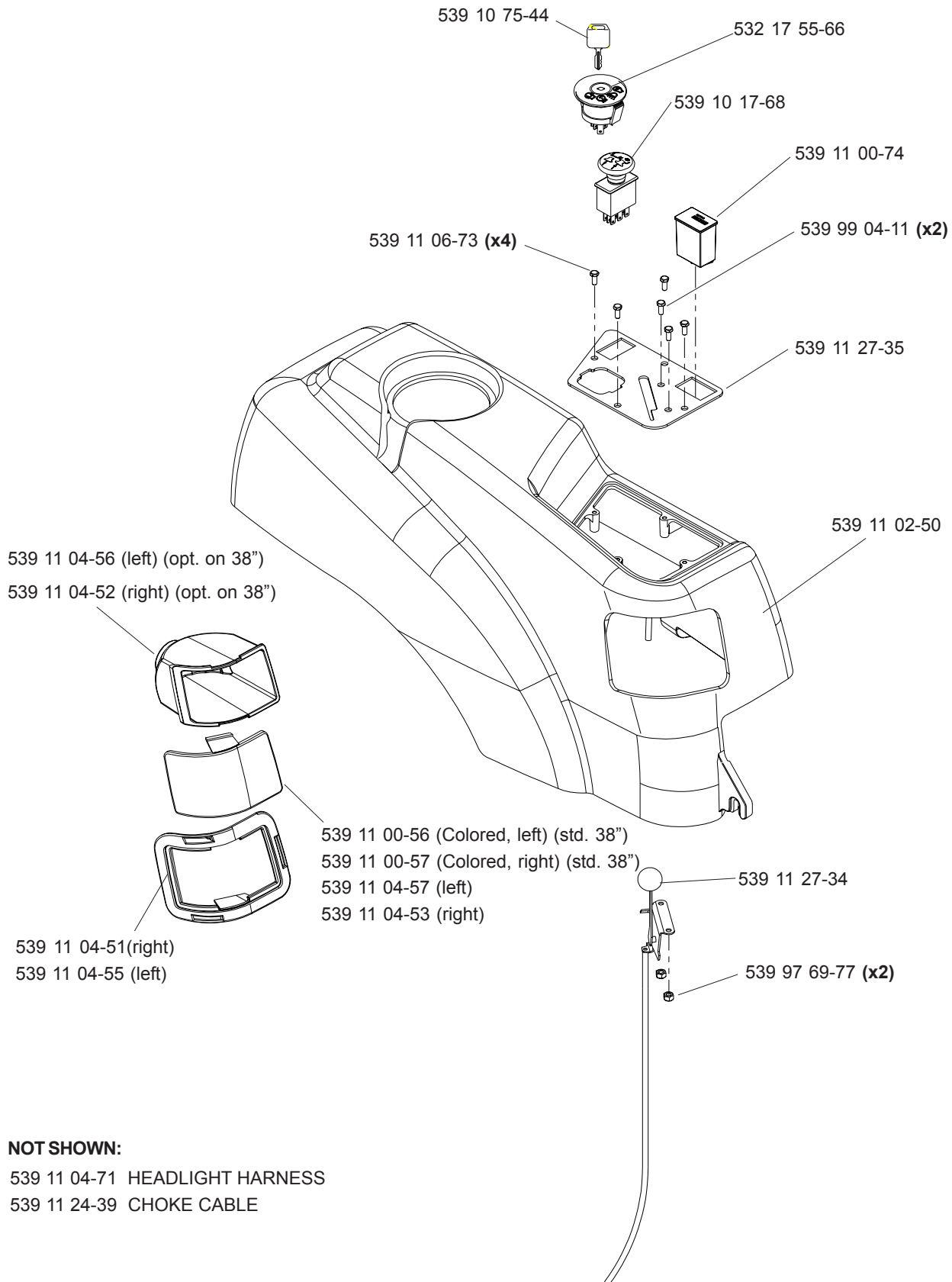
BRIGGS & STRATTON



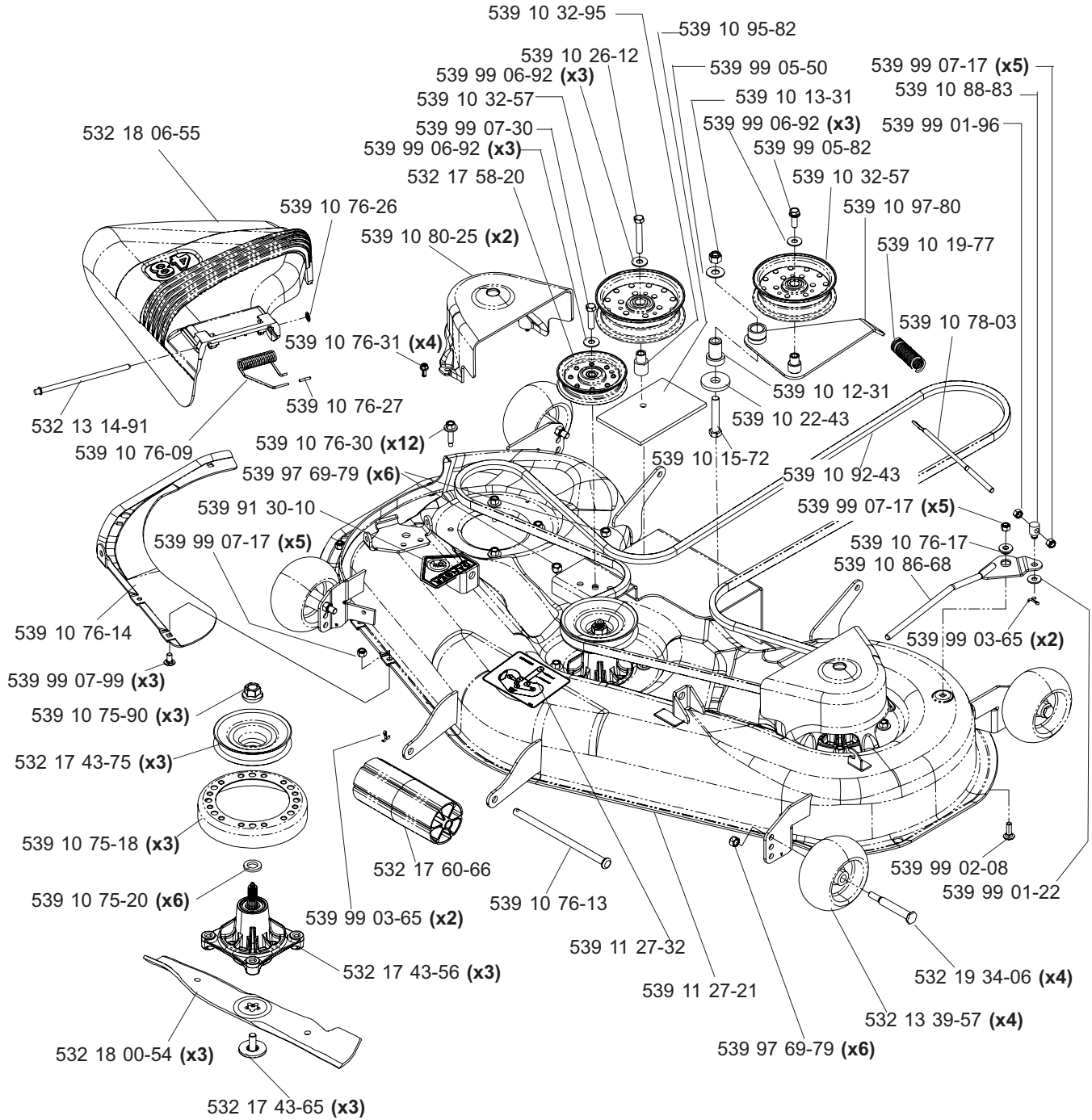
CASTER ASSEMBLY



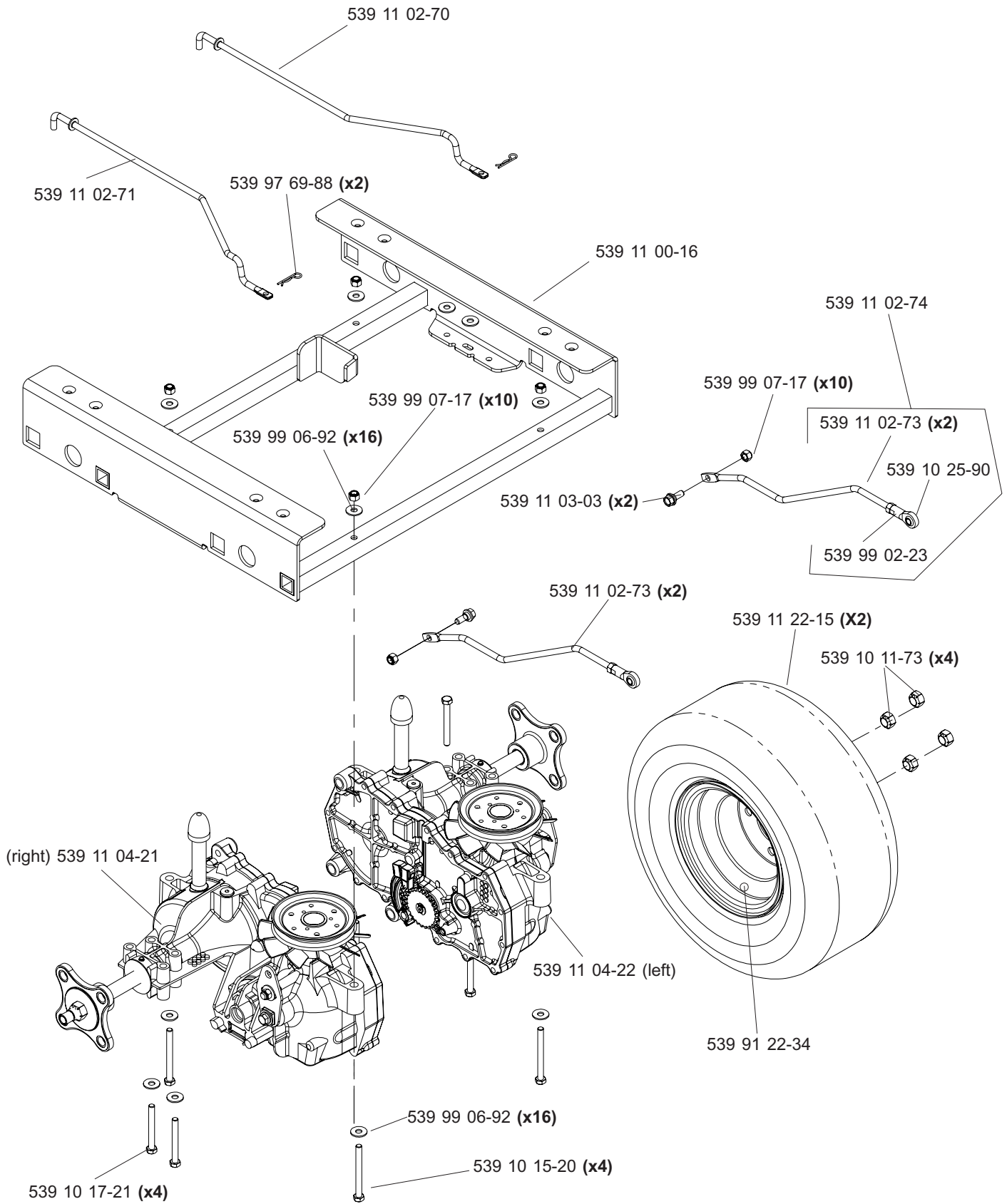
CONSOLE ASSEMBLY



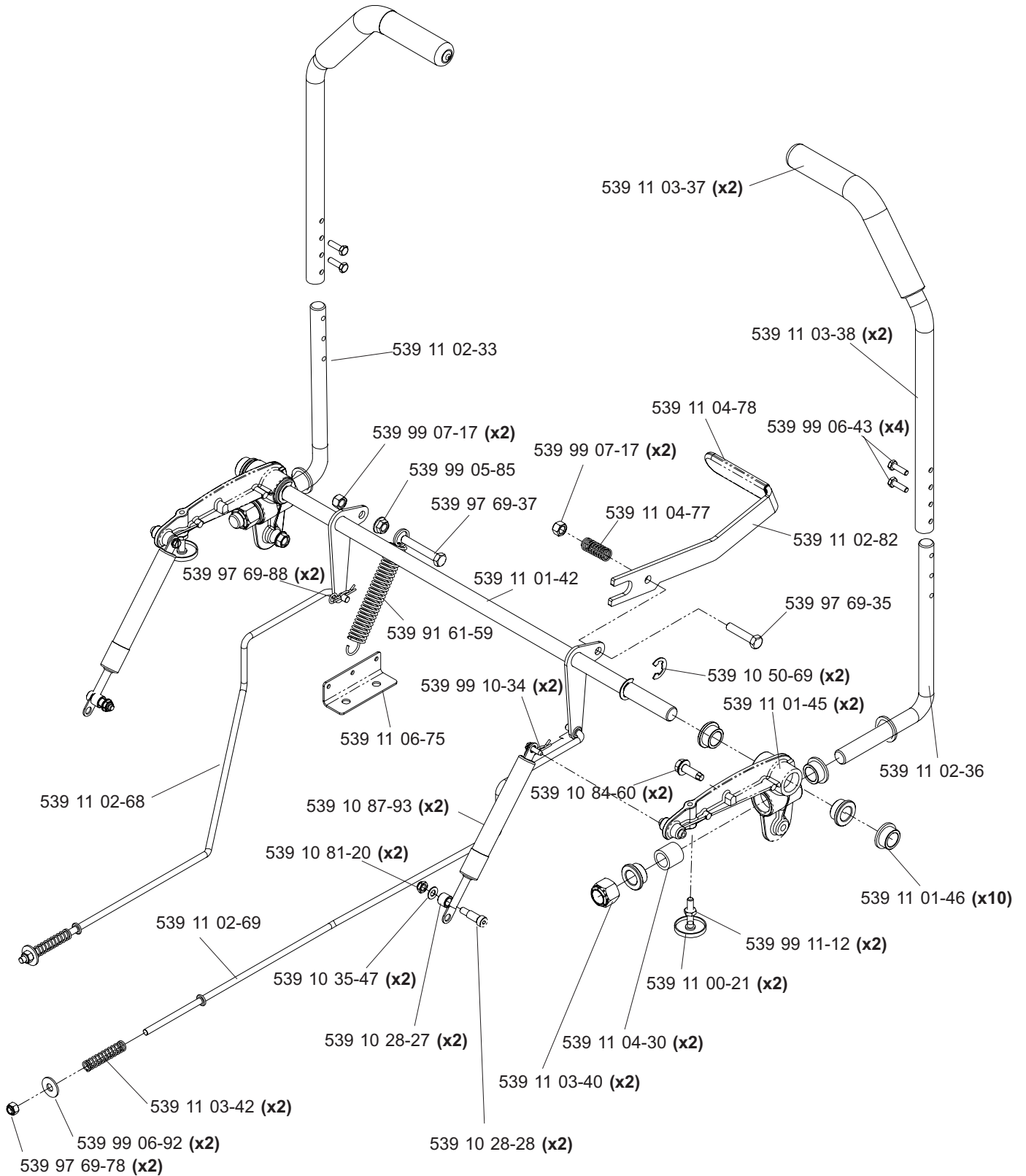
48" DECK ASSEMBLY



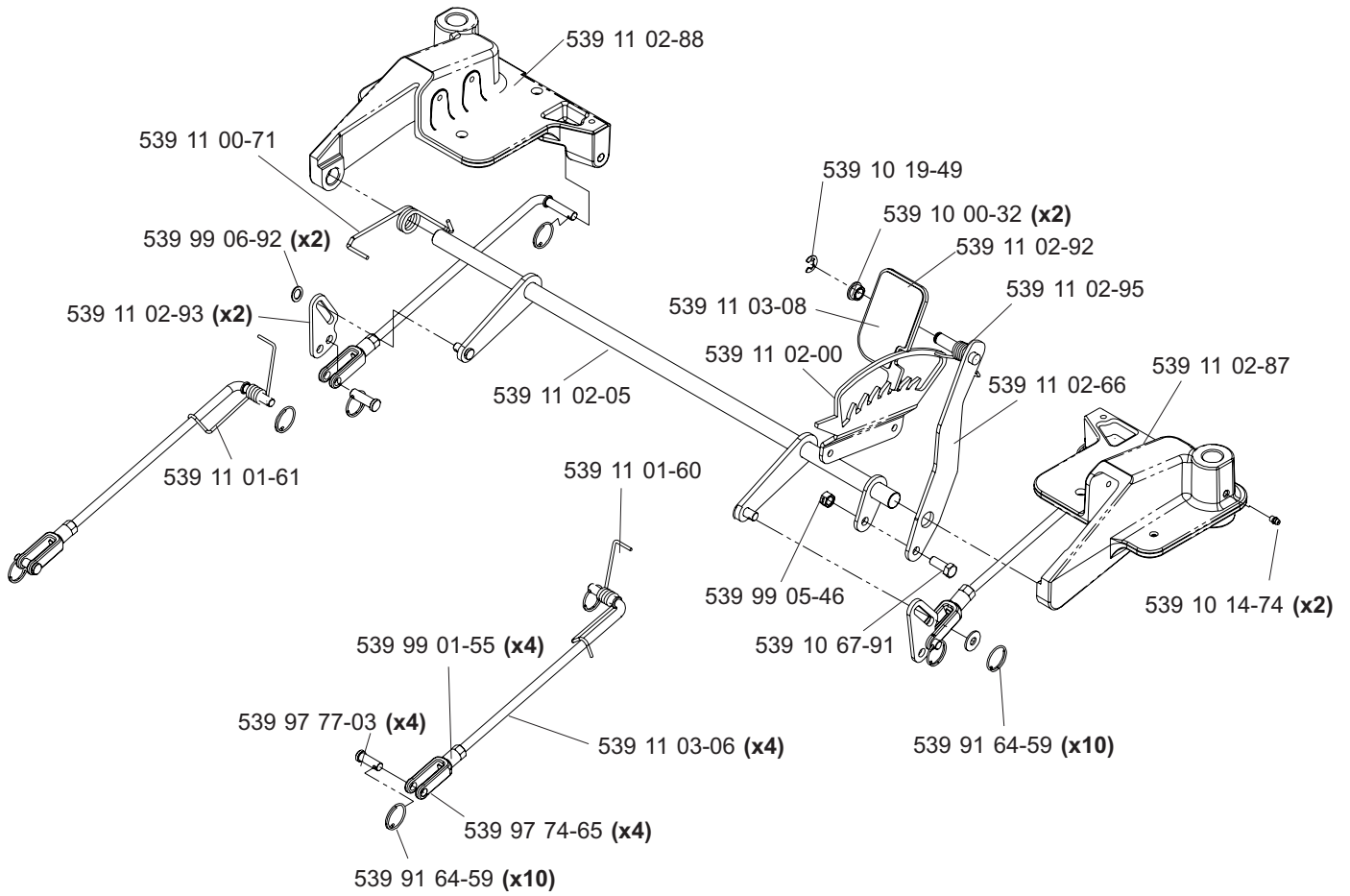
EZT



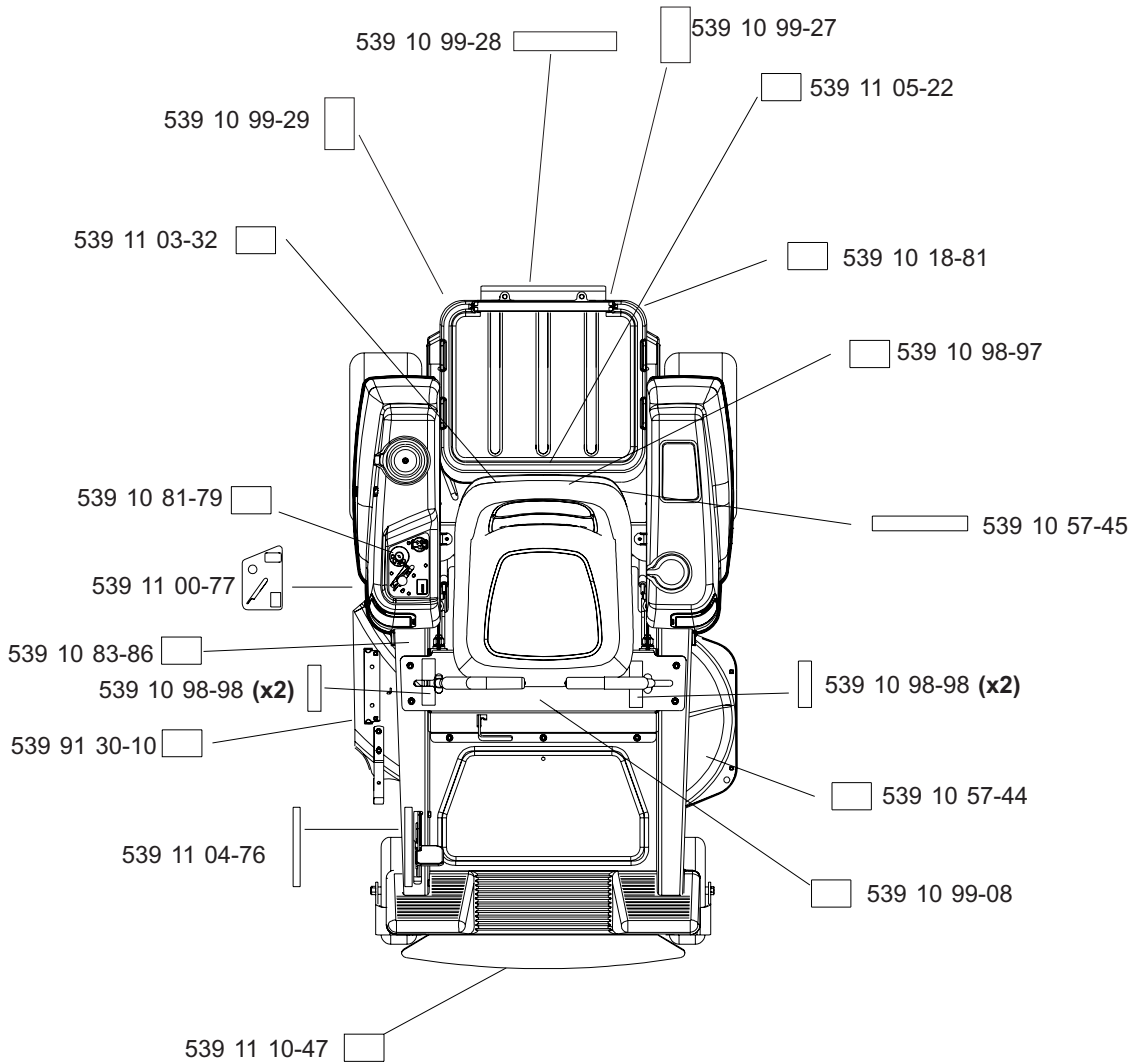
MOTION CONTROL



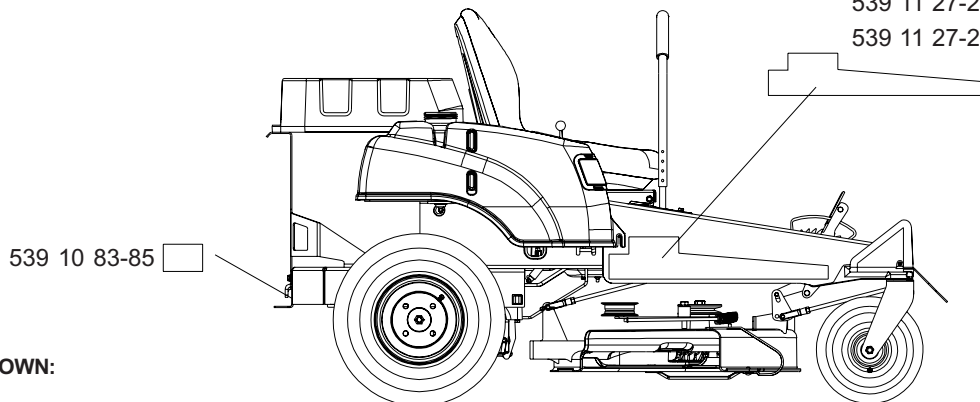
DECK LIFT



DECALS



- 539 11 27-22 (Z4822, RIGHT)
- 539 11 27-23 (Z4822, LEFT)
- 539 11 27-24 (Z4824, RIGHT)
- 539 11 27-25 (Z4824, LEFT)



NOT SHOWN:

539 91 30-10 DECAL, WARNING

UTILITY BOX

