

Parts Manual

Z5426 / 968999508

Z4219 / 968999511

Z4824 / 968999512

Z4220 / 968999655

Z4619 / 968999656

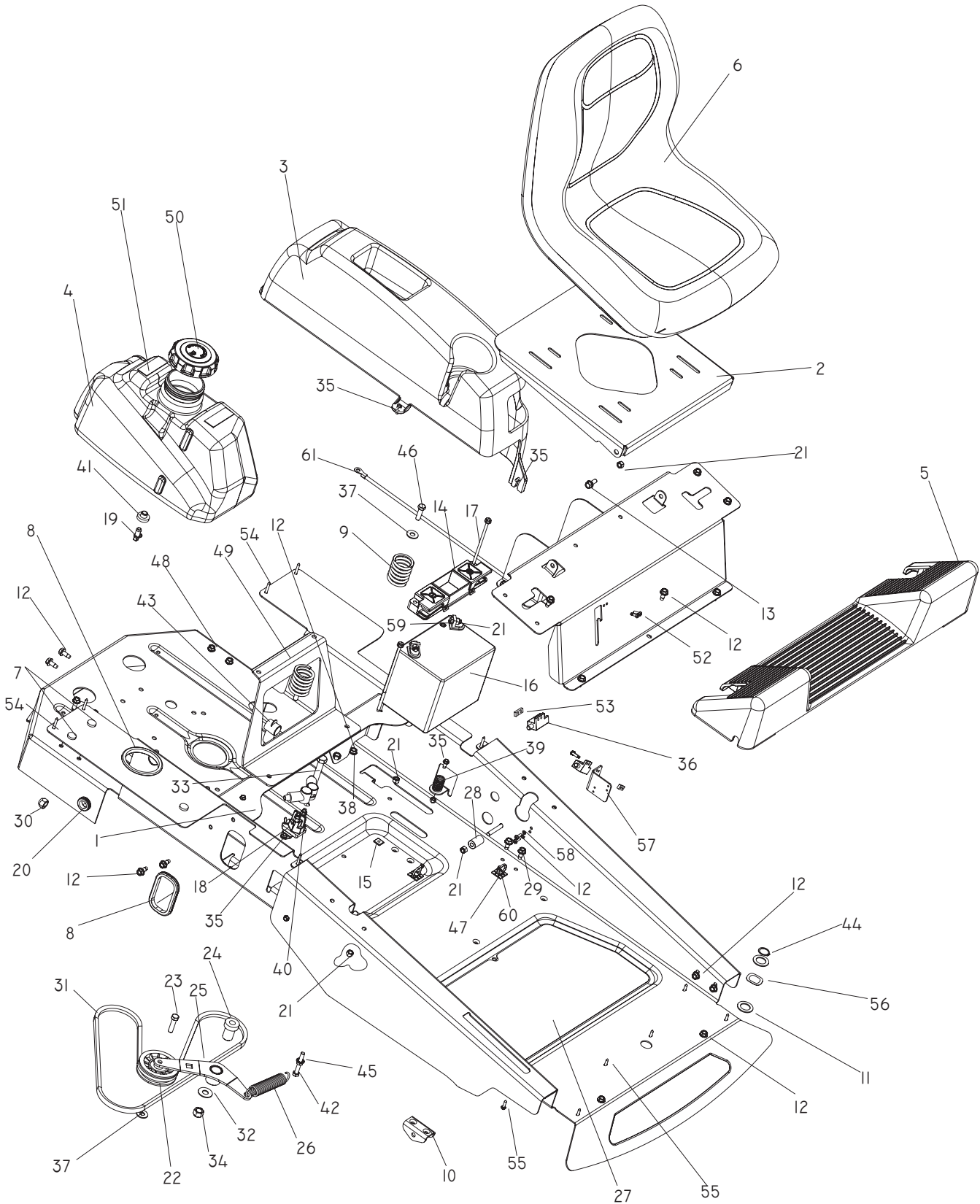
Please read the operator's manual carefully and make sure you understand the instructions before using the machine.



English

CHASSIS / FRAME

Built Prior to 9/3/07



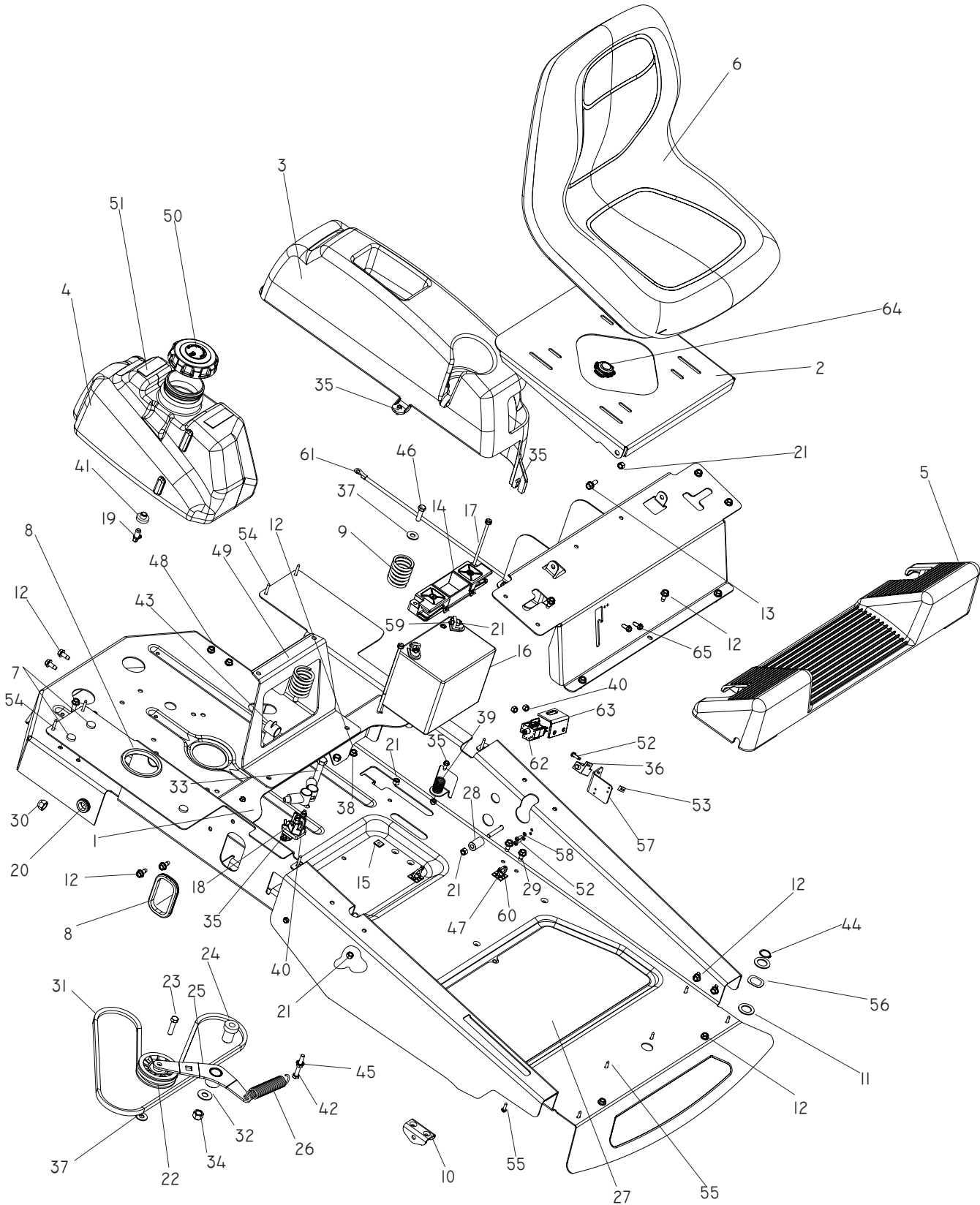
CHASSIS / FRAME

Built Prior to 9/3/07

ITEM	PART NO.	QTY.	DESCRIPTION	ITEM	PART NO.	QTY.	DESCRIPTION
1...	539 110126	.. 1	.. REAR SEAT SUPPORT	30...	539 101173	.. 8	.. LUG NUT, 1/2
2...	539 112694	.. 1	.. SEAT PLATE	31...	539 110411	.. 1	.. BELT, HYDRO
3...	539 130374	.. 1	.. FENDER, LT	32...	539 990550	.. 1	.. WASHER, 1/2 STD FLT ZD
4...	539 110252	.. 1	.. TANK, FUEL	33...	539 101332	.. 1	.. HCS 1/2-13 X 2 3/4 GD5
5...	539 110284	.. 1	.. FOOT REST	34...	539 101331	.. 1	.. NUT 1/2-13 NYLOC NUT
6...	539 112700	.. 1	.. SEAT MODELS 968999508, 968999512, 968999655, 968999656	35...	539 990362	.. 8	.. 1/4C X 5/8 SELF TAPPING
...	539 112699	... 1...	SEAT MODEL 968999511	36...	539 101080	.. 3	.. SWITCH N.C.
7...	539 102587	.. 3	.. GROMMET,BUMPER	37...	539 990517	.. 3	.. WASHER, 3/8 STD FLT ZD
8...	539 107116	.. 2	.. GROMMET	38...	539 990546	.. 3	.. NUT 3/8-16 CENTER LOCK
9...	539 110300	.. 2	.. SPRING, SEAT	39...	539 110070	.. 2	.. NEUTRAL RETURN SPRING
10...	539 110030	.. 2	.. BRACKET, DECK HANGER NOT ON MODEL 968999508	40...	539 976978	.. 4	.. NUT, 25C NYLOC
11...	539 923787	.. 4	.. MACHINE BUSHING, .875"	41...	539 105245	.. 1	.. RUBBER GROMMET
12...	539 107475	33	.. 5/16-18 X 3/4 THD FORM BOLT	42...	539 976938	.. 1	.. HCS 5/16-18 X 2 1/4 ZD
13...	539 110303	.. 2	.. BOLT, 5/16-SHOULDER	43...	539 102759	.. 3	.. INSULATOR
14...	539 107628	.. 1	.. BATTERY HOLD DOWN	44...	539 101151	.. 2	.. RETAINING RING
15...	539 107629	.. 2	.. PUSH NUT, NYLON	45...	539 990585	.. 1	.. NUT, 5/16-19 HEX WHZLK
16...	539 102436	.. 1	.. BATTERY	46...	539 976941	.. 2	.. HCS 3/8-16 X 1 1/4 ZD
17...	539 107632	.. 2	.. BOLT, 1/4 X 7 1/2	47...	539 110863	.. 2	.. MOUNTING BLOCK,CABLE
18...	539 101714	.. 1	.. SOLENOID	48...	539 990369	.. 4	.. BOLT 5/16-18 X 1 THD CUT ZD
19...	539 110432	.. 1	.. ELBOW, TANK	49...	539 112139	.. 1	.. BRACKET, FRT SUPPORT MODEL 968999655 ONLY
20...	539 110433	.. 1	.. GROMMET, FUEL LINE	50...	539 106188	.. 1	.. FUEL CAP
21...	539 990717	..11	.. NUT 5/16-18 HEX NYLOC	51...	539 110290	.. 2	.. FOAM STRIP, TANK
22...	539 110311	.. 1	.. IDLER PULLEY	52...	539 976952	10	.. SCREW 10-24 X .625 MACH
23...	539 990655	.. 1	.. HCS 3/8-16 X 1 1/2 ZD	53...	539 102678	.. 3	.. TAPPED PLATE
24...	539 101231	.. 1	.. IDLER SPINDLE	54...	539 110674	.. 6	.. SCREW 10-12 X 1 1/4 HX
25...	539 110219	.. 1	.. IDLER ARM, PUMP	55...	539 110673	.. 8	.. SCREW 10-12 X 3/4 HX WSH
26...	539 101977	.. 1	.. TRACTION SPRING	56...	539 110294	.. 2	.. WASHER, WAVE 7/8
27...	539 110310	.. 1	.. NON-SLIP MAT	57...	539 110860	.. 2	.. SWITCH BRACKET
28...	539 110312	.. 2	.. MOTION LIMITER	58...	539 107360	.. 4	.. WASHER, 10 SPLT LCK ZD
29...	539 976937	.. 2	.. HCS 5/16-18 X 2 ZD	59...	539 976934	.. 2	.. HCS 5/16-18 X 3/4 ZD
				60...	539 976856	.. 2	.. WIRE TIE
				61...	539 107616	.. 2	.. BATTERY CABLE, POSITIVE NOT SHOWN
				...	539 110068	.. 1	.. BATTERY CABLE NEGATIVE
				...	539 110309	.. 1	.. WIRING HARNESS

CHASSIS / FRAME

Built After to 9/3/07



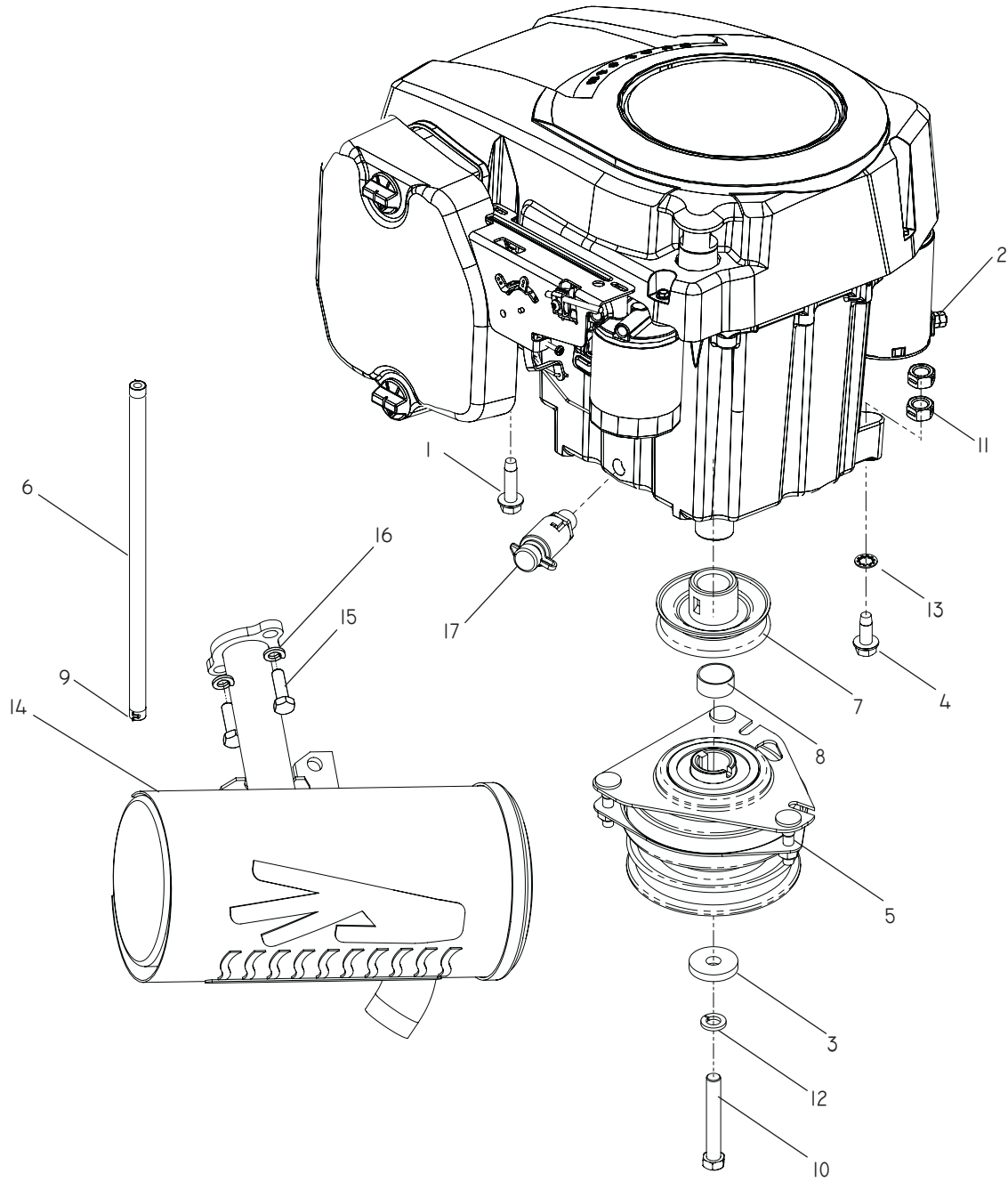
CHASSIS / FRAME

Built After to 9/3/07

ITEM	PART NO.	QTY.	DESCRIPTION	ITEM	PART NO.	QTY.	DESCRIPTION
1...	539 110126	.. 1	.. REAR SEAT SUPPORT	33...	539 101332	.. 1	.. HCS ½-13 X 2¾ GD5
2...	539 112694	.. 1	.. SEAT PLATE	34...	539 101331	.. 1	.. NUT ½-13 NYLOC NUT
3...	539 130374	.. 1	.. FENDER, LT	35...	539 990362	.. 8	.. ¼C X ⅝ SELF TAPPING
4...	539 110252	.. 1	.. TANK, FUEL	36...	539 101080	.. 2	.. SWITCH N.C.
5...	539 110284	.. 1	.. FOOT REST	37...	539 990517	.. 3	.. WASHER, ⅜ STD FLT ZD
6...	539 130825	.. 1	.. SEAT, HIGH BACK MODELS 968999508, 968999512, 968999655, 968999656	38...	539 990546	.. 3	.. NUT ⅜-16 CENTER LOCK
...	539 130826	... 1...	.. SEAT, LOW BACK MODEL 968999511	39...	539 110070	.. 2	.. NEUTRAL RETURN SPRING
7...	539 102587	.. 3	.. GROMMET,BUMPER	40...	539 976978	.. 6	.. NUT, ¼-20 NYLOC
8...	539 107116	.. 2	.. GROMMET	41...	539 105245	.. 1	.. RUBBER GROMMET
9...	539 110300	.. 2	.. SPRING, SEAT	42...	539 976938	.. 1	.. HCS ⅝-18 X 2¼ ZD
10...	539 110030	.. 2	.. BRACKET, DECK HANGER	43...	539 102759	.. 3	.. INSULATOR
11...	539 923787	.. 4	.. MACHINE BUSHING, .875"	44...	539 101151	.. 2	.. RETAINING RING
12...	539 107475	33	.. ⅝-18 X ¾ THD FORM BOLT	45...	539 990585	.. 1	.. NUT, ⅝-19 HEX WHZLK
13...	539 110303	.. 2	.. BOLT, ⅝-SHOULDER	46...	539 976941	.. 2	.. HCS ⅜-16 X 1¼ ZD
14...	539 107628	.. 1	.. BATTERY HOLD DOWN	47...	539 110863	.. 2	.. MOUNTING BLOCK,CABLE
15...	539 107629	.. 2	.. PUSH NUT, NYLON	48...	539 990369	.. 4	.. BOLT ⅝-18 X 1 THD CUT ZD
16...	539 102436	.. 1	.. BATTERY	49...	539 112139	.. 1	.. BRACKET, FRT SUPPORT MODEL 968999655 ONLY
17...	539 107632	.. 2	.. BOLT, ¼ X 7½	50...	539 106188	.. 1	.. FUEL CAP
18...	539 101714	.. 1	.. SOLENOID	51...	539 110290	.. 2	.. FOAM STRIP, TANK
19...	539 110432	.. 1	.. ELBOW, TANK	52...	539 976952	.. 6	.. SCREW 10-24 X .625 MACH
20...	539 110433	.. 1	.. GROMMET, FUEL LINE	53...	539 102678	.. 2	.. TAPPED PLATE
21...	539 990717	..11	.. NUT ⅝-18 HEX NYLOC	54...	539 110674	.. 6	.. SCREW 10-12 X 1¼ HX
22...	539 110311	.. 1	.. IDLER PULLEY	55...	539 110673	.. 8	.. SCREW 10-12 X ¾ HX WSH
23...	539 990655	.. 1	.. HCS ⅜-16 X 1½ ZD	56...	539 110294	.. 2	.. WASHER, WAVE ⅞
24...	539 101231	.. 1	.. IDLER SPINDLE	57...	539 110860	.. 2	.. SWITCH BRACKET
25...	539 110219	.. 1	.. IDLER ARM, PUMP	58...	539 107360	.. 4	.. WASHER, 10 SPLT LCK ZD
26...	539 101977	.. 1	.. TRACTION SPRING	59...	539 976934	.. 2	.. HCS ⅝-18 X ¾ ZD
27...	539 110310	.. 1	.. NON-SLIP MAT	60...	539 976856	.. 2	.. WIRE TIE
28...	539 110312	.. 2	.. MOTION LIMITER	61...	539 107616	.. 2	.. BATTERY CABLE, POSITIVE
29...	539 976937	.. 2	.. HCS ⅝-18 X 2 ZD	62...	539 113792	... 1...	.. SWITCH, BRAKE, 3 POLE
30...	539 101173	.. 8	.. LUG NUT, ½	63...	539 114803	... 1...	.. BRACKET, BRAKE SWITCH
31...	539 110411	.. 1	.. BELT, HYDRO	64...	539 132140	... 1...	.. SWITCH, SEAT
32...	539 990550	.. 1	.. WASHER, ½ STD FLT ZD	65...	539 990071	... 2...	.. HCS, ¼-20 x ½ ZD
				NOT SHOWN			
				.. 539 110068	.. 1	.. BATTERY CABLE NEGATIVE	
				... 539 114720	.. 1	.. WIRING HARNESS	

ENGINE PLATE

20 HP KOHLER



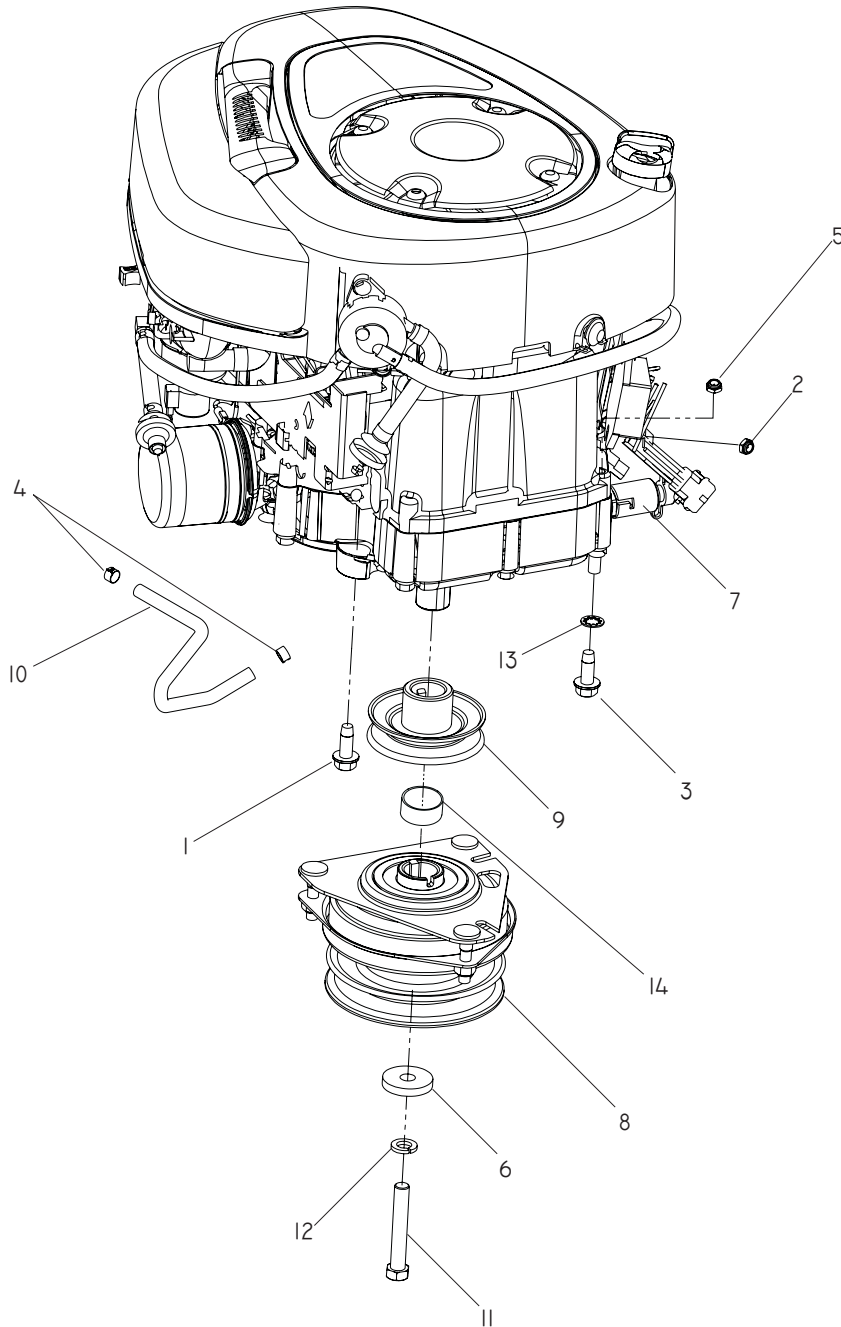
ENGINE PLATE

20 HP KOHLER

ITEM	PART NO.	QTY.	DESCRIPTION	ITEM	PART NO.	QTY.	DESCRIPTION
1...	539 107476 ...	3...	BOLT, $\frac{3}{8}$ -16 x 1, THRD FORM	10...	539 923388 ...	1...	HCS, $\frac{7}{16}$ -20 x 3
2...	539 108120 ...	1...	NUT, $\frac{1}{4}$ -20, THIN, NYLOC	11...	539 990184 ...	2...	NUT, $\frac{5}{16}$ -18, CENTERLOCK
3...	539 110064 ...	1...	CLUTCH WASHER	12...	539 990247 ...	1...	LOCKWASHER, $\frac{7}{16}$
4...	539 976938 ...	1...	HCS $\frac{5}{16}$ -18 x 2 $\frac{1}{2}$ ZD	13...	539 990390 ...	1...	WASHER, $\frac{3}{8}$
5...	539 110417 ...	1...	CLUTCH	14...	539 111902 ...	1...	MUFFLER
6...	539 110425 ...	1...	FUEL LINE, 5"	15...	539 990209 ...	2...	HCS, $\frac{5}{16}$ -18 X 1
7...	539 114530 ...	1...	PULLEY, ENGINE	16...	539 990187 ...	2...	WASHER $\frac{5}{16}$ SLW ZD
8...	539 114542 ...	1...	SPACER, ENGINE PULLEY	17...	539 110093 ...	1...	OIL DRAIN FITTING
9...	539 912222 ...	2...	CLAMP, HOSE				

ENGINE PLATE

19 HP BRIGGS AND STRATTON

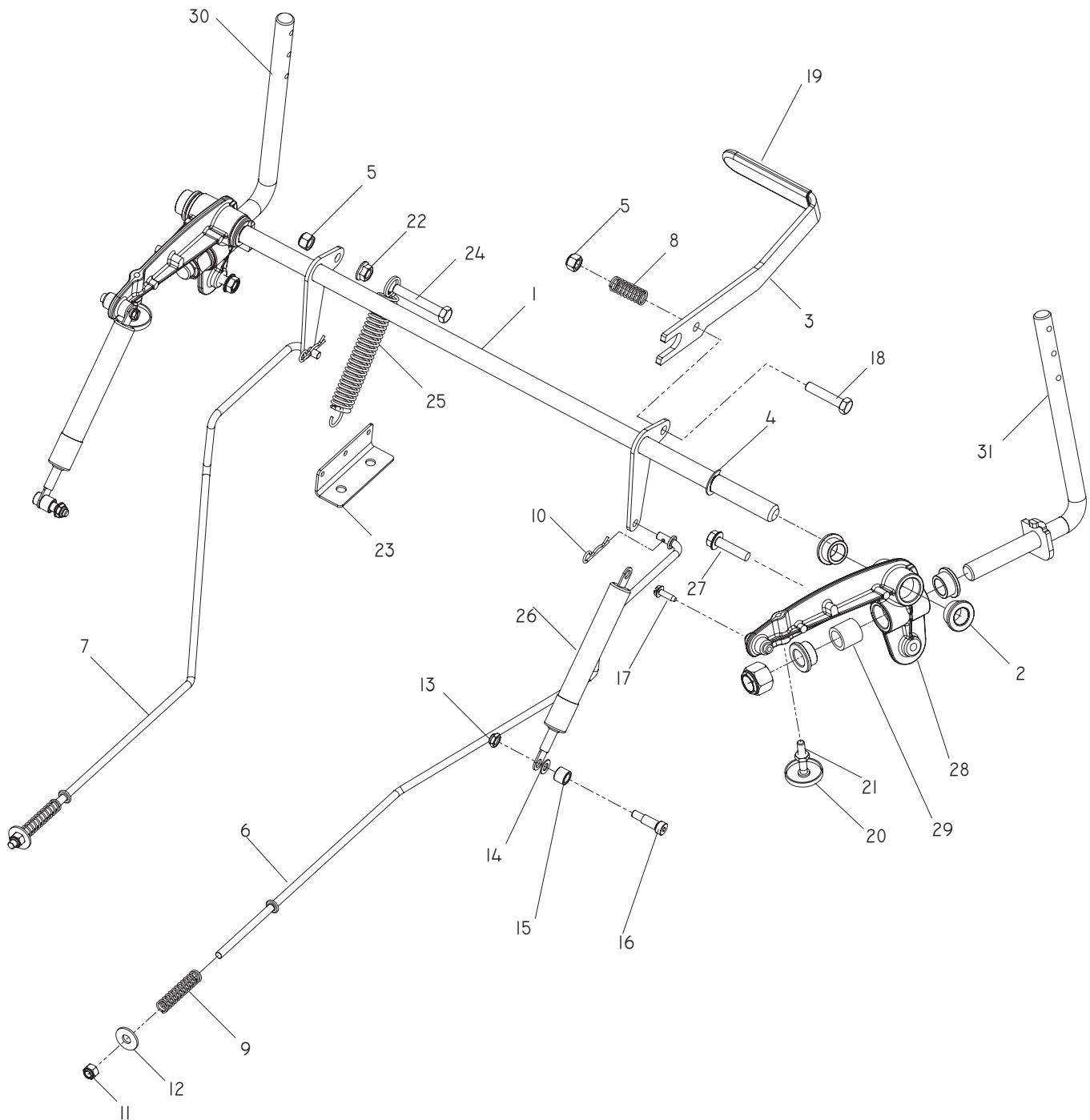


ENGINE PLATE

19 HP BRIGGS AND STRATTON

ITEM PART NO.	QTY.	DESCRIPTION	ITEM PART NO.	QTY.	DESCRIPTION
1...539 107476 ...	3...	BLT $\frac{3}{8}$ -16x1 THRD FORM ZD	8... 539 110417 ...	1...	CLUTCH
2...539 108120 ...	1...	NUT $\frac{1}{4}$ -20 HEX THIN NYLOC	9... 539 114530 ...	1...	PULLEY, ENGINE
3...539 110025 ...	1...	BOLT, $\frac{3}{8}$ -16 x $1\frac{1}{2}$, THRD FRM	10...539 110425 ...	1...	FUEL LINE, 5
4...539 912222 ...	2...	CLAMP, HOSE	11...539 923388 ...	1...	HCS $\frac{7}{16}$ -20 X 3 ZD
5...539 990546 ...	1...	NUT, $\frac{3}{8}$ -16, CENTERLOCK	12...539 990247 ...	1...	WASHER $\frac{7}{16}$ SLW ZD
6... 539 110064 ...	1...	WASHER, CLUTCH	13...539 990390 ...	1...	WASHER, $\frac{3}{8}$, ITLW
7...539 110093 ...	1...	OIL DRAIN FITTING	14... 539 114542 ...	1...	SPACER, ENGINE PULLEY

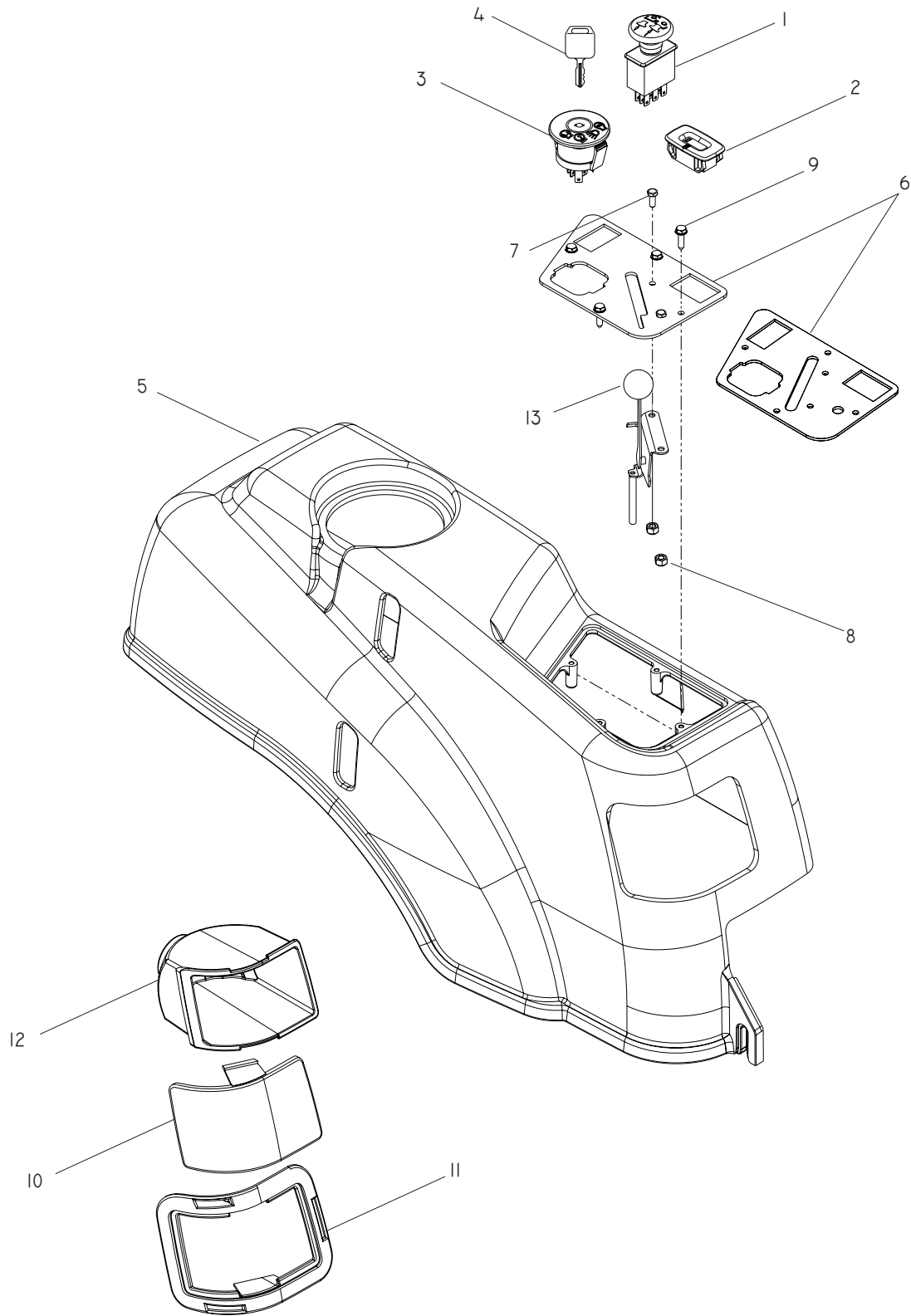
STEERING



STEERING

ITEM	PART NO.	QTY.	DESCRIPTION	ITEM	PART NO.	QTY.	DESCRIPTION
1...	539 110142	.. 1 ..	SHAFT, MOTION	17...	539 991034	.. 2 ..	SCREW 10-24 X 5/8 WASHER
2...	539 113121	10...	MOTION BUSHING	18...	539 976935	.. 1 ..	BOLT, 5/16-18 X 1 1/2
3...	539 110282	.. 1 ..	UPPER BRAKE LEVER	19...	539 110478	.. 1 ..	GRIP, PARK BRAKE
4...	539 105069	.. 2 ..	E-RING.625	20...	539 110021	.. 2 ..	POST, NEUTRAL RETURN
5...	539 990717	.. 2 ..	NUT 5/16-18 HEX NYLOC ZD	21...	539 991112	.. 2 ..	NUT 1/4-20 JAM
6...	539 110268	.. 1 ..	BRAKE ROD, RT	22...	539 990585	.. 1 ..	NUT 5/16-18 HEX WHZLK
7...	539 110269	.. 1 ..	BRAKE ROD, LT	23...	539 110675	.. 1 ..	SPRING BRACKET
8...	539 110477	.. 1 ..	BRAKE LEVER SPRING	24...	539 976937	.. 1 ..	BOLT 5/16-18 X 2
9...	539 110342	.. 2 ..	BRAKE ROD SPRING	25...	539 916159	.. 1 ..	SPRING
10...	539 976988	.. 2 ..	HAIRPIN COTTER	26...	539 108793	.. 2 ..	DAMPENER
11...	539 976978	.. 2 ..	NUT 1/4-20 HEX NYLOC ZD	27...	539 108460	.. 2 ..	BOLT 5/16-18 X 1 1/4 THD FORM
12...	539 990692	.. 2 ..	WASHER, 5/16 STD FLT ZD	28...	539 110145	... 2...	MOTION CASTING
13...	539 108120	.. 2 ..	NUT 1/4-20 HEX THIN NYLOC	29...	539 110430	... 2...	BUSHING, ELASTIMER
14...	539 103547	.. 2 ..	WASHER	30...	539 110233	... 2...	MOTION ARM, LT
15...	539 102827	.. 2 ..	PULLEY SPACER	31...	539 110236	... 1...	MOTION ARM, RT
16...	539 102828	.. 2 ..	SHOULDER BOLT, 5/16 X 5/8	30...	539 110340	... 2...	NUT, 5/8-11C NYLOC

CONTROLS

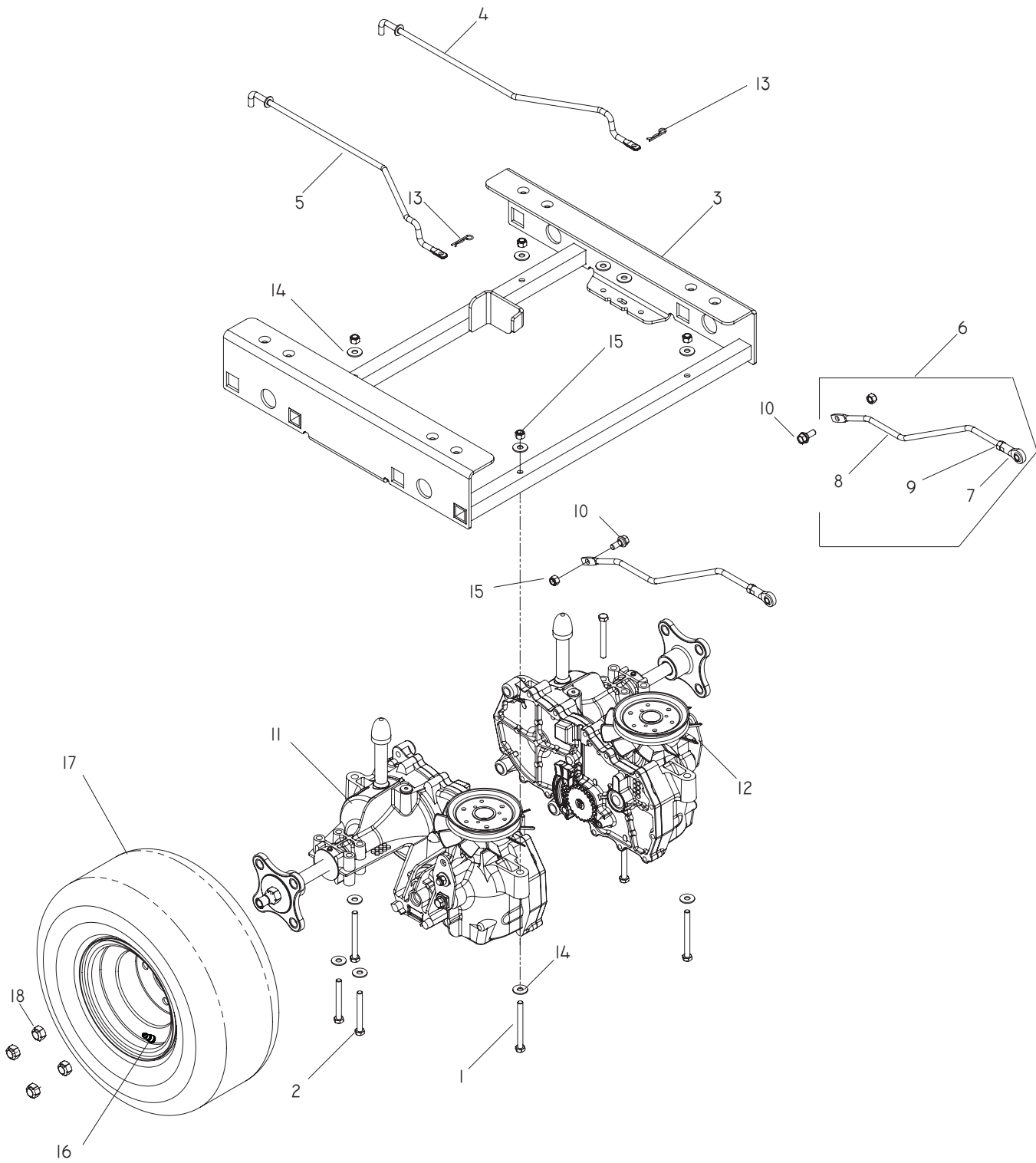


CONTROLS

MODEL 968999655

ITEM PART NO.	QTY.	DESCRIPTION	ITEM PART NO.	QTY.	DESCRIPTION
1...539 101768 ...	1...	CLUTCH SWITCH	11... 539 110451 ...	1...	HEADLIGHT RIM, RT
2...539 110074 ...	1...	HOUR METER	... 539 110455 ...	1...	HEADLIGHT RIM, LT
3...539 107541 ...	1...	IGNITION SWITCH	12...539 130675 ...	1...	HEADLIGHT REFLECTR, RT
4...539 107544 ...	1...	KEY			MODELS 968999508, 968999655
5...539 130375 ...	1...	FENDER, CONSOLE	...539 130676 ...	1...	HEADLIGHT REFLECTR, LT
6...539 112735 ...	1...	CONSOLE PLATE			MODELS 968999508, 968999655
		MODELS 968999508, 968999512, 968999655			
... 539 110305 ...	1...	CONSOLE PLATE	13... 539 112734 ...	1...	THROTTLE CABLE
		MODELS 968999511, 968999656			MODELS 968999508, 968999512, 968999655
7...539 110673 ...	4...	SCREW, #10-12 x ¾	...539 107583 ...	1...	THROTTLE CABLE
8...539 976977 ...	2...	NUT, #10-24, NYLOC			MODELS 968999511, 968999656
9...539 990411 ...	2...	SCREW, #10-24 x ½	NOT SHOWN		
10... 539 110457 ...	1...	LENS, LT	... 539 110471 ...	1...	HEADLIGHT HARNESS,
		MODELS 968999508, 968999655			MODELS 968999508, 968999655
... 539 110453 ...	1...	LENS, RT	...539 130209 ...	1...	CHOKE CABLE
		MODEL 968999508, 968999655			MODELS 968999511, 968999656
... 539 110056 ...	1...	LENS COLORED, LT			
		MODELS 968999511, 968999512, 968999656			
... 539 110057 ...	1...	LENS, COLORED, RT			
		MODELS 968999511, 968999512, 968999656			

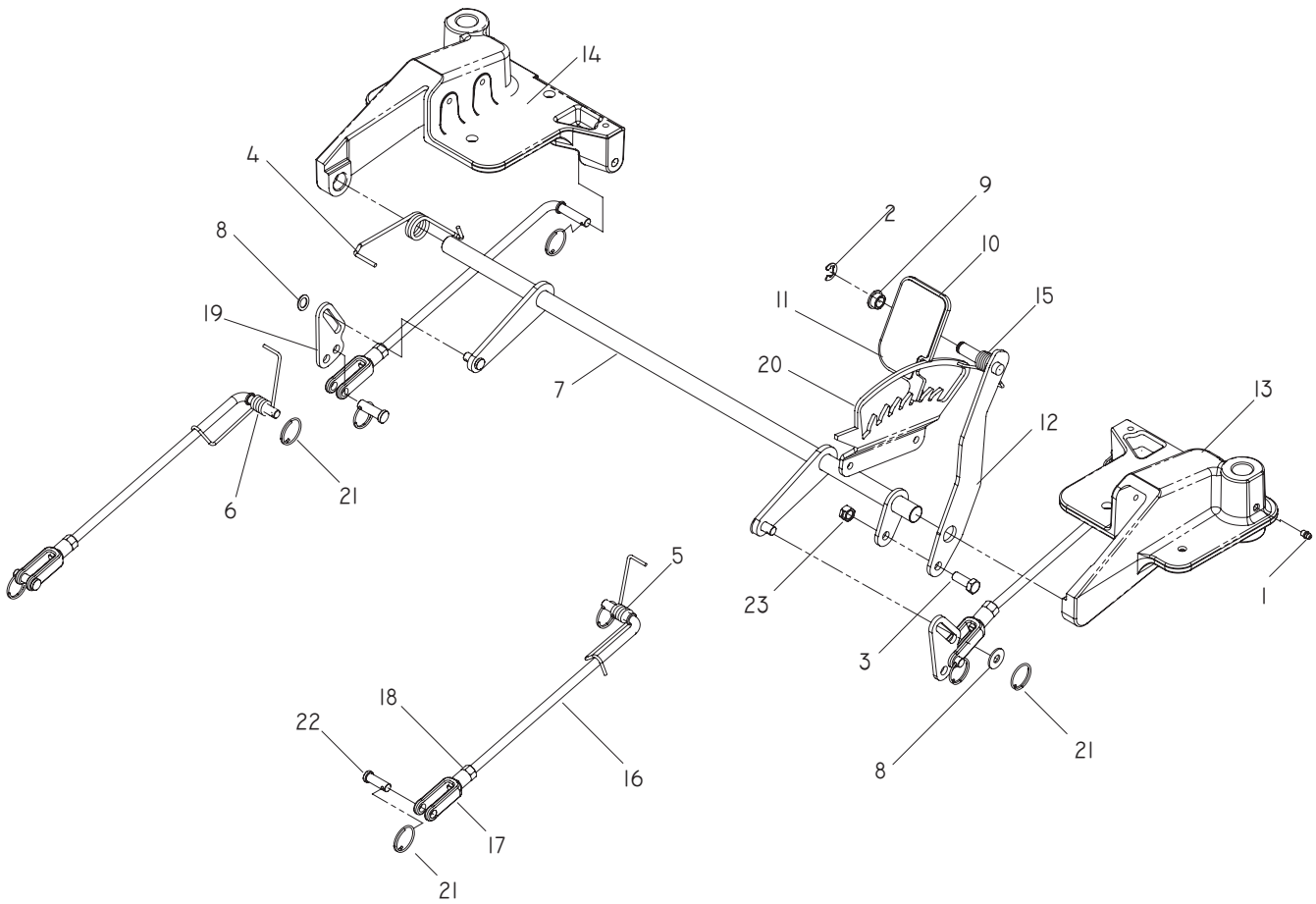
HYDRAULIC PUMP- MOTOR



HYDRAULIC PUMP- MOTOR

ITEM	PART NO.	QTY.	DESCRIPTION	ITEM	PART NO.	QTY.	DESCRIPTION
1...	539 101520 ...	4...	HCS, $\frac{5}{16}$ -18 x 3 $\frac{1}{4}$	13...	539 976988 ...	2...	PIN HAIR, .073 x 1 $\frac{7}{16}$
2...	539 101721 ...	4...	HCS, $\frac{5}{16}$ -18 x 2 $\frac{3}{4}$	14...	539 990692 .	16...	WASHER, $\frac{5}{16}$
3...	539 110016 ...	1...	FRAME	15...	539 990717 .	10...	NUT, $\frac{5}{16}$ -18, NYLOC
4...	539 110270 ...	1...	BYPASS LINKAGE, LEFT	16...	539 912234 ...	1...	VALVE STEM
5...	539 110271 ...	1...	BYPASS LINKAGE, RIGHT	17...	539 110253 ...	2...	TIRE (COMPLETE) MODEL 968999511, 968999656
6...	539 110273 ...	2...	MOTION CONTROL ROD	...	539 110470 ...	2...	TIRE (COMPLETE) MODEL 968999655
7...	539 102590 ...	1...	END BALL, RIGHT	...	539 112215 ...	2...	TIRE (COMPLETE) MODEL 968999508 069000512
8...	539 110274 ...	1...	MOTION CONTROL ROD	18...	539 101173 ...	8...	NUT, LUG
9...	539 990223 ...	1...	NUT, $\frac{5}{16}$ -24				
10...	539 110303 ...	2...	BOLT, SHOULDER, $\frac{5}{16}$				
11...	539 110487 ...	1...	EZT, RIGHT				
12...	539 110486 ...	1...	EZT, LEFT				

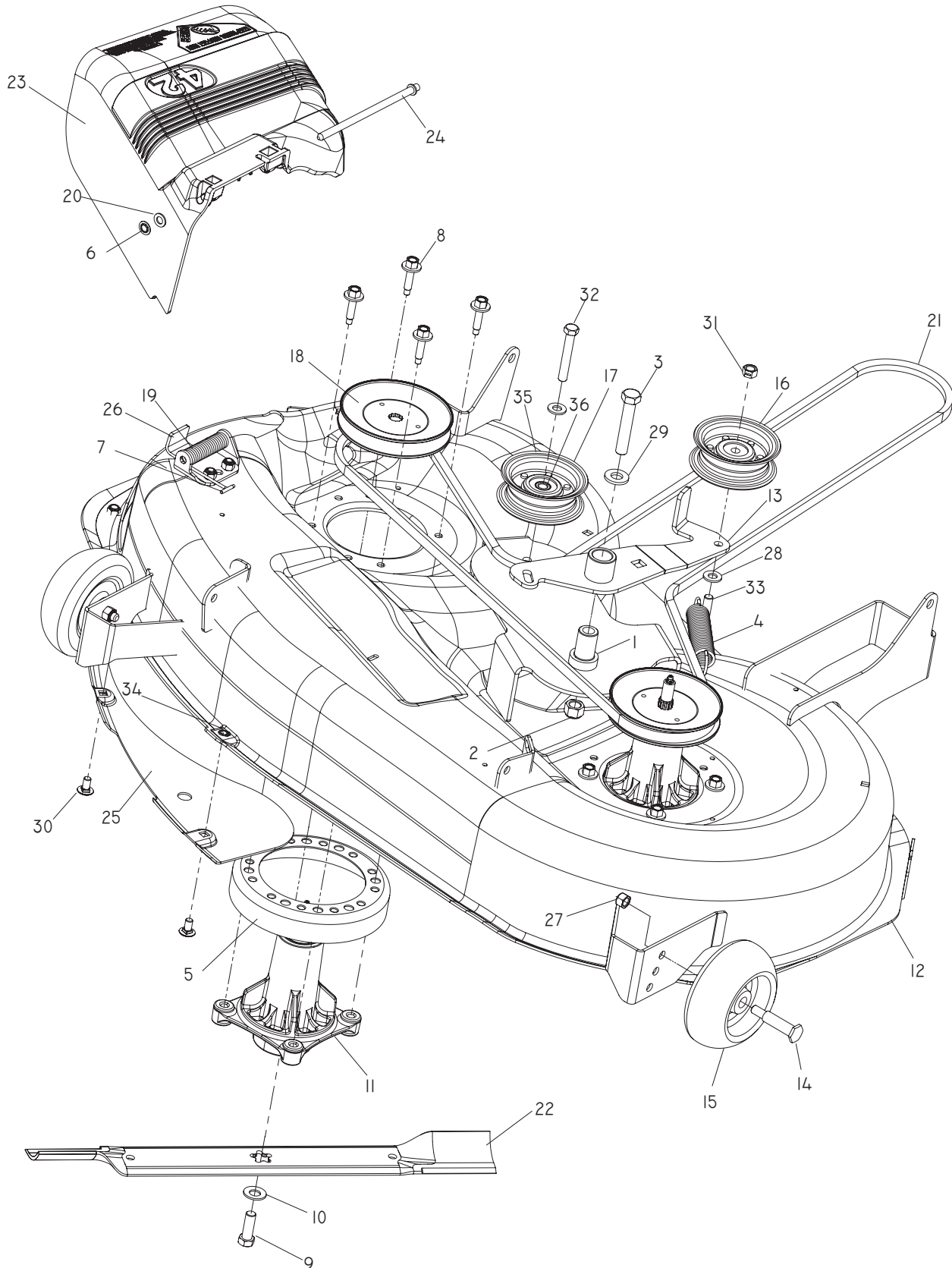
MOWER LIFT - DECK LIFT



MOWER LIFT - DECK LIFT

ITEM PART NO.	QTY.	DESCRIPTION	ITEM PART NO.	QTY.	DESCRIPTION
1...539 101474 ... 2...		ZERK	13... 539 110287 ... 1...		CASTER CASTING, RIGHT
2...539 101949 ... 1...		RING-E, 1/2	14... 539 110288 ... 1...		CASTER CASTING, LEFT
3...539 106791 ... 1...		HCS, 3/8-16 x 1	15... 539 110295 ... 1...		SPRING, PEDAL, LIFT
4... 539 110071 ... 1...		TORSION SPRING, LIFT	16... 539 110306 ... 4...		DECK LIFT ROD
5... 539 110160 ... 1...		SPRING, DECK ROD RIGHT	17...539 977465 ... 4...		YOKE, 3/8-24
6... 539 110161 ... 1...		SPRING, DECK ROD LEFT	18...539 990155 ... 4...		NUT, 3/8-24, GR2
7... 539 110205 ... 1...		DECK LIFT	19... 539 113239 ... 2...		CONNECTOR, DECK LIFT
8...539 990692 ... 2...		WASHER, 5/16	20... 539 113931 ... 1...		HEIGHT PLATE, DECK
9...539 100032 ... 2...		BUSHING, NYLON	21...539 916459 . 10...		RING, RETAINING
10... 539 110292 ... 1...		FOOT PEDAL	22...539 977703 ... 4...		PIN CLEVIS, 3/8 x 1 1/8
11... 539 110308 ... 1...		FOOT PAD, NONSLIP	23...539 990546 ... 1...		NUT, 3/8-16, CENTERLOCK
12... 539 110275 ... 1...		LEVER, LIFT FOOT MODEL 968999655			
... 539 110275 ... 1...		LEVER, LIFT FOOT MODEL 968999656			

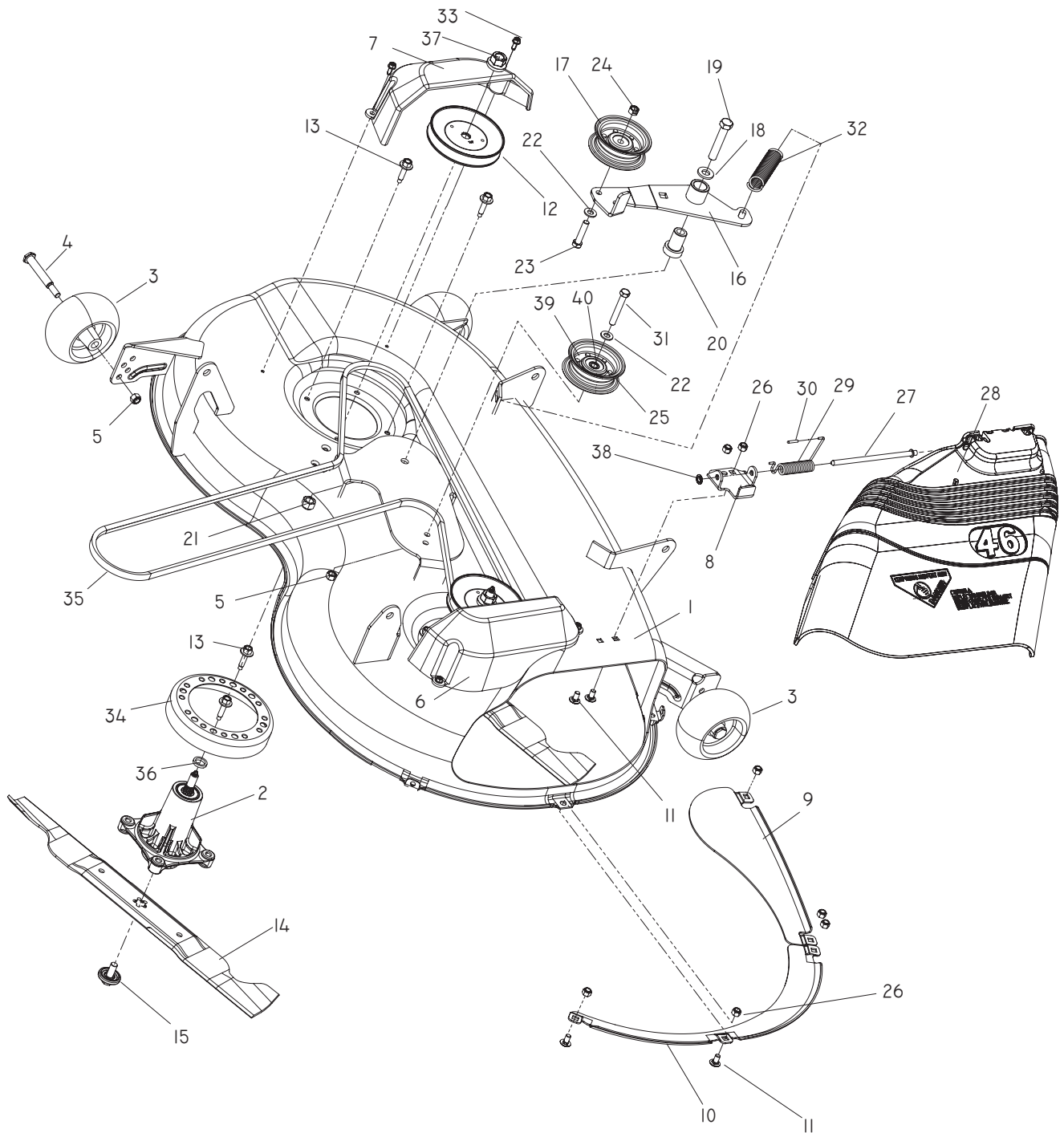
42" CUTTING DECK



42" CUTTING DECK

ITEM	PART NO.	QTY.	DESCRIPTION	ITEM	PART NO.	QTY.	DESCRIPTION
1...	539 101231	1...	SPINDLE, IDLER	19...	539 110328	1...	SPRING, TORSION
2...	539 101331	1...	NUT, 1/2-13, NYLOC	20...	539 110331	1...	WASHER, 11/32
3...	539 101332	1...	HCS, 1/2-13 x 2 3/4	21...	539 110410	1...	BELT
4...	539 101977	1...	SPRING, TRACTION	22...	539 110460	2...	BLADE
5...	539 107518	2...	STRIPPER, ROUND	23...	532 193108	1...	SHIELD DEFLECTOR
6...	539 107626	1...	NUT, 5/16, PUSH	24...	539 110462	1...	ROD, HINGE
7...	539 107627	1...	CAP-SLEEVE	25...	539 110463	1...	BAFFLE
8...	539 107630	6...	SCREW, 5/16-18 x 1 3/8	26...	532 192557	1...	BRACKET, DEFLECTOR
9...	539 130244	2...	BOLT, HEX 7/16-20 x 1 1/4 GR 8	27...	539 976979	3...	NUT, 3/8-16, NYLOC
10...	539 102843	2...	WASHER, SPRING DISC 7/16	28...	539 990122	2...	WASHER, 3/8, SAE
11...	539 112057	2...	MANDREL	29...	539 990250	1...	WASHER, 1/2, SAE
12...	539 110528	1...	DECK W/DECALS	30...	539 990799	6...	RHSNB, 5/16-18 x 5/8
13...	539 110217	1...	DECK IDLER ARM	31...	539 990546	1...	NUT, 3/8-16, CENTERLOCK
14...	539 110222	2...	BOLT, SHOULDER	32...	539 990637	1...	HCS, 3/8-16 x 2 1/2
15...	539 110289	2...	WHEEL GAUGE	33...	539 990655	1...	HCS, 3/8-16 x 1 1/2
16...	539 110316	1...	PULLEY, IDLER, SHORT	34...	539 990717	6...	NUT, 5/16-18, NYLOC
17...	539 110317	1...	PULLEY ASSEMBLY	35...	539 110080	1...	PULLEY, IDLER
18...	539 110318	2...	PULLEY, MANDREL	36...	539 110081	1...	BEARING INSERT

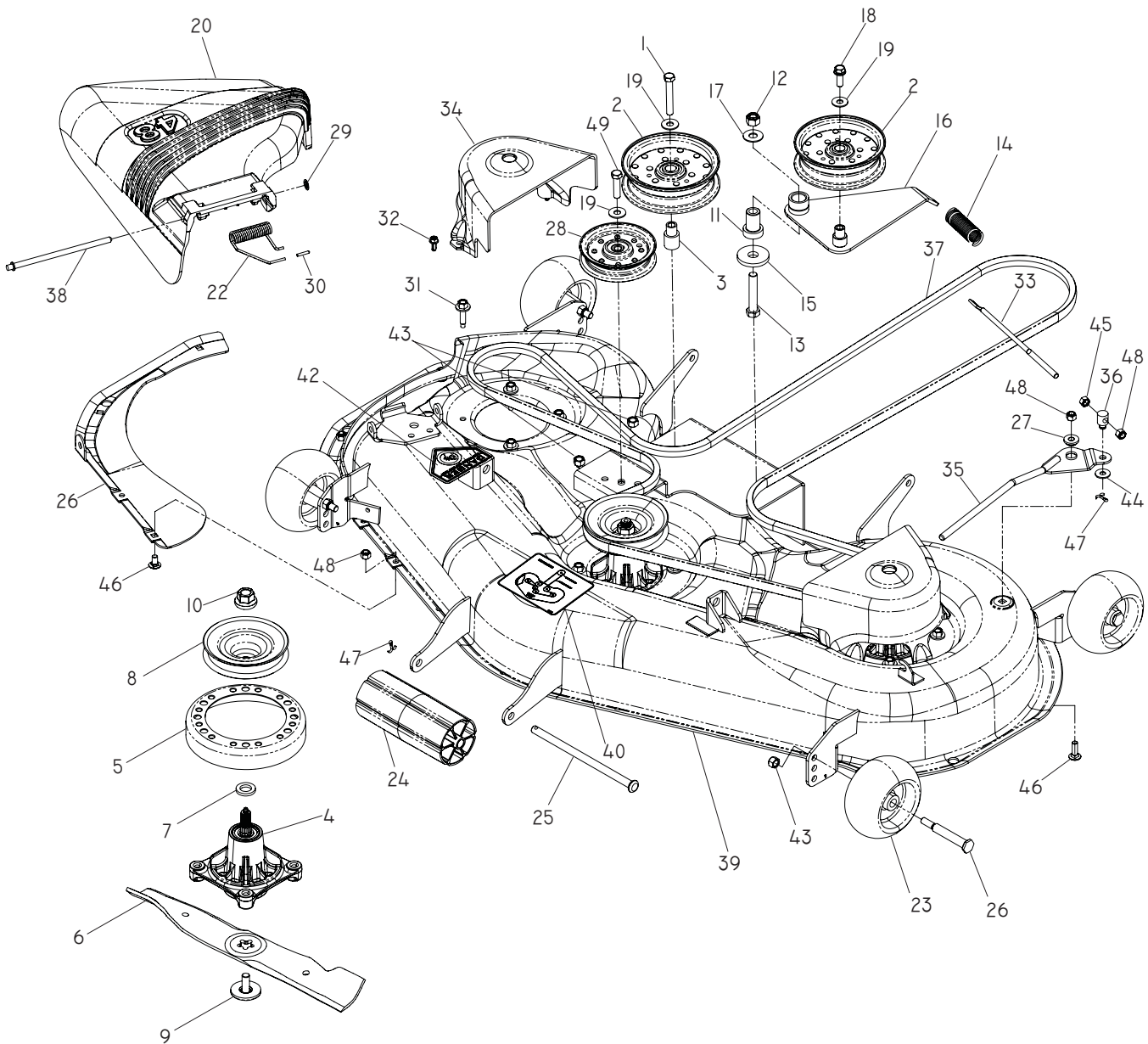
46" CUTTING DECK



46" CUTTING DECK

ITEM PART NO.	QTY.	DESCRIPTION	ITEM PART NO.	QTY.	DESCRIPTION
1...539 131485	.. 1 ..	DECK W/DECALS	21...539 101331	.. 1 ..	NUT ½ HEX NYLOC ZD
2...539 112057	.. 2 ..	MANDREL	22...539 990122	.. 2 ..	WASHER, ⅜ SAE FLT ZD
3...539 107610	.. 3 ..	WHEEL, GAUGE	23...539 990730	.. 1 ..	HCS ⅜-16 X 1¾ ZD
4...539 107608	.. 3 ..	BOLT, SHOULDER	24...539 990546	.. 1 ..	NUT, ⅜-16 HEX CNTRLK ZD
5...539 976979	.. 4 ..	NUT ⅜-16 HEX NYLOC ZD	25...539 110317	.. 1 ..	PULLEY ASSEMBLY, IDLER
6...532 405506	.. 1 ..	SHIELD, BELT RH	26...539 990717	.. 7 ..	NUT ⅝-16 -18 HEX NYLOC ZD
7...532 405507	.. 1 ..	SHIELD, BELT LH	27...539 110462	.. 1 ..	ROD, HINGE
8...532 192557	.. 1 ..	BRACKET, DEFLCTR, 38/42	28...532 405357	.. 1 ..	SHIELD, DEFLECTOR
9...532 403149	.. 1 ..	BAFFLE, FRONT	29...539 110328	.. 1 ..	SPRING, TORSION
10...532 403150	.. 1 ..	BAFFLE, FRONT RH	30...539 107627	.. 1 ..	CAP-SLEEVE
11...539 990799	.. 7 ..	RHSNB ⅝-18 X ⅝ ZN	31...539 990637	.. 1 ..	HCS ⅜-16 X 2½ ZD
12...539 112171	.. 2 ..	PULLEY, MANDREL	32...539 101977	.. 1 ..	TRACTION SPRING
13...539 107630	.. 8 ..	SCREW, WASHER HEAD	33...539 107631	.. 4 ..	SCREW, THDRLL, ¼ -20 x ⅝
14...532 405380	.. 2 ..	BLADE, 46" HI-LIFT	34...539 107518	.. 2 ..	STRIPPER, ROUND, UNIV
15...532 193003	.. 2 ..	BOLT	35...539 122734	.. 1 ..	BELT, DECK
16...539 110217	.. 1 ..	IDLER ARM	36...539 107520	.. 2 ..	WASHER-SPACER
17...539 110316	.. 1 ..	PULLEY, DECK IDLER	37...539 107590	.. 2 ..	NUT, ⅞ TOP CENTER LOCK
18...539 990250	.. 1 ..	WASHER - SAE .531 X 1.062	38...539 107626	.. 1 ..	PUSHNUT
19...539 101332	.. 1 ..	HCS ½-13 X 2¾ GD 5 ZD	39...539 110080	... 1...	PULLEY, IDLER
20...539 101231	.. 1 ..	IDLER SPINDLE	40...539 110081	... 1...	BEARING INSERT

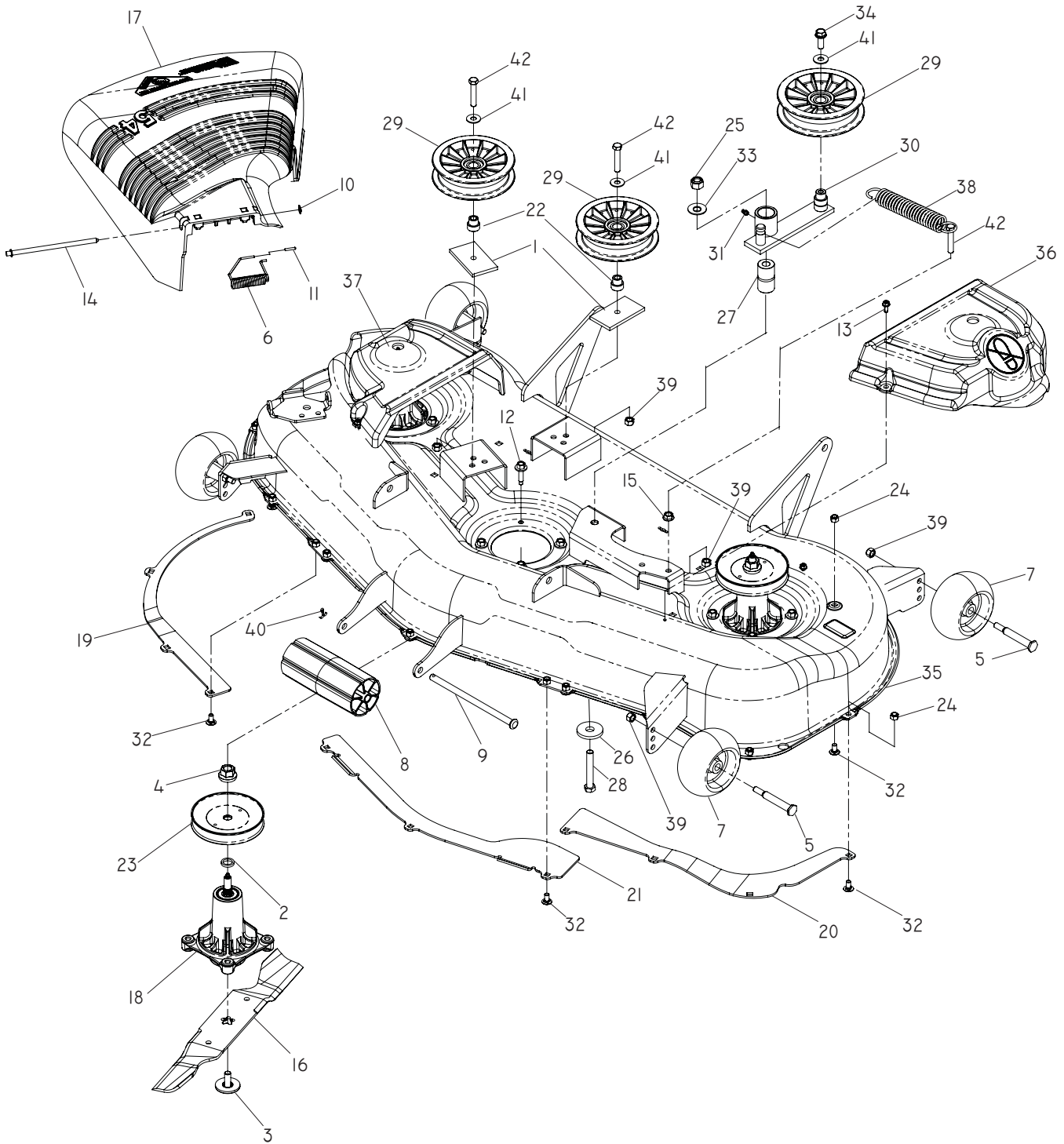
48" CUTTING DECK



48" CUTTING DECK

ITEM	PART NO.	QTY.	DESCRIPTION	ITEM	PART NO.	QTY.	DESCRIPTION
1...	539 102612	1...	HCS, 3/8-16 x 2 3/4	27...	539 107617	1...	BUSHING
2...	539 103257	2...	PULLEY, IDLER	28...	539 107620	1...	PULLEY IDLER FLAT
3...	539 103295	1...	BUSHING, IDLER	29...	539 107626	1...	NUT, 5/16 PUSH
4...	539 107515	3...	CUTTER HOUSING	30...	539 107627	1...	CAP-SLEEVE
5...	539 107518	3...	STRIPPER, ROUND	31...	539 107630	12...	SCREW, 5/16-18 x 1 3/8
6...	539 107519	3...	BLADE, HIGH LIFT	32...	539 107631	4...	SCREW, 1/4-20 x 5/8 THDROLL
7...	539 107520	6...	WASHER, .675	33...	539 107803	1...	TENSION RELIEF LINKAGE
8...	539 107521	3...	PULLEY, DRIVEN	34...	539 108025	2...	BELTSCHILD
9...	539 107522	3...	BOLT, 7/16, SPEC	35...	539 108668	1...	TENSION RELIEF LEVER
10...	539 107590	3...	NUT, 9/16, CENTERLOCK	36...	539 108883	1...	SWIVEL
11...	539 101231	1...	SPINDLE, IDLER	37...	539 109243	1...	BELT
12...	539 101331	1...	NUT, 1/2-13, NYLOC	38...	539 110462	1...	ROD, HINGE
13...	539 101572	1...	HCS, 1/2-13 x 3	39...	539 112721	1...	DECK W/DECALS
14...	539 101977	1...	SPRING, TRAC	40...	539 113942	1...	DECAL, BELT ROUTING
15...	539 102243	1...	WASHER, .65	41...	539 990799	3...	RHSNB, 5/16-18 x 5/8
16...	539 109780	1...	DECK IDLER ARM	42...	539 913010	1...	DECAL, WARNING
17...	539 990550	1...	WASHER, 9/16	43...	539 976979	6...	NUT, 3/8-16, NYLOC
18...	539 990582	1...	HCS, 3/8-16 x 1	44...	539 990122	1...	WASHER, 3/8, SAE
19...	539 990692	1...	WASHER, 5/16	45...	539 990196	1...	NUT, 5/16-18
20...	539 107604	1...	DISCHARGE CHUTE	46...	539 990208	1...	RHSNB, 5/16-18 x 1
21...	539 107608	4...	SB, 1/2 x 2 5/8, SPEC	47...	539 990365	2...	PIN COTTER, 1/8 x 3/4
22...	539 107609	1...	SPRING, TORSION	48...	539 990717	5...	NUT, 5/16-18, NYLOC
23...	539 107610	4...	WHEEL, GAUGE	49...	539 990730	1...	HCS, 3/8-16 x 1 3/4
24...	539 107612	1...	ROLLER, NOSE	NOT SHOWN			
25...	539 107613	1...	ROD, ROLLER, NOSE	...	539 200684	2...	RIVET, 3/16
26...	539 107614	1...	BAFFLE				

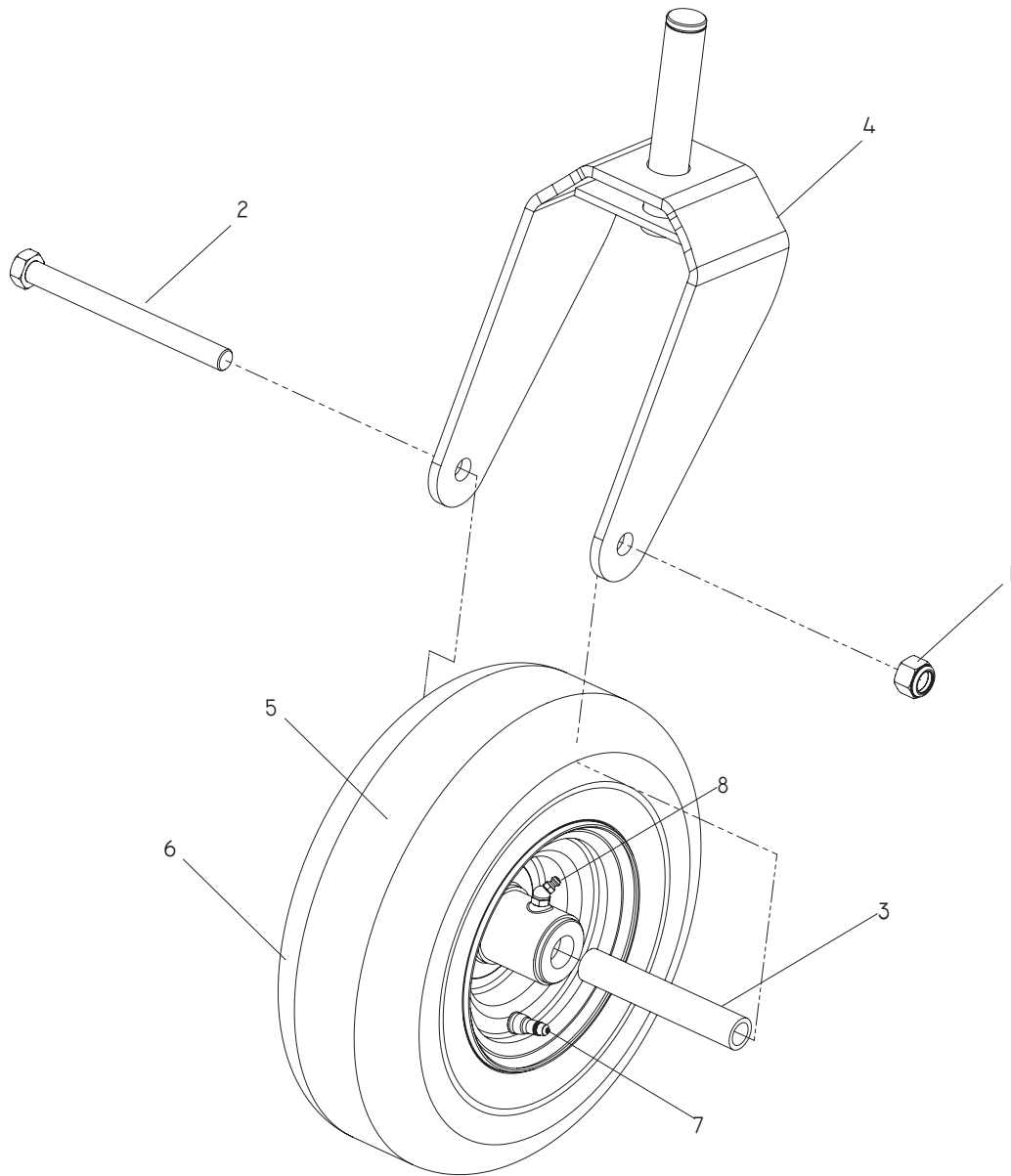
54" CUTTING DECK



54" CUTTING DECK

ITEM PART NO.	QTY.	DESCRIPTION	ITEM PART NO.	QTY.	DESCRIPTION
1...539 103303	2...	PAD	23... 539 112171	3...	PULLEY
2...539 107520	3...	WASHER, .675, SPACER	24...539 990717	12...	NUT, ⁵ / ₁₆ -18, NYLOC
3...532 174365	3...	BOLT, ⁷ / ₁₆ , SPEC	25...539 101331	1...	NUT, ¹ / ₂ -13, NYLOC
4...539 107590	3...	NUT, ⁹ / ₁₆ , TOP CENTERLOCK	26...539 102243	1...	WASHER, .65, SUPPORT
5...532 137644	4...	SB, ¹ / ₂ x 2 ⁵ / ₈ , SPEC	27...539 103427	1...	BUSHING, PIVOT
6...539 107609	1...	SPRING, TORSION	28...539 103433	1...	HCS, ¹ / ₂ -13 x 3 ¹ / ₄
7...532 133957	4...	WHEEL, GAUGE	29... 539 131148	3...	IDLER PULLEY, NYLON
8...532 176066	1...	ROLLER, NOSE	30... 539 112198	1...	IDLER ARM
9...539 107613	1...	ROD, ROLLER, NOSE	31...539 976998	1...	ZERK, STRAIGHT, ¹ / ₄ -28
10...539 107626	1...	NUT, ⁵ / ₁₆ , PUSH	32...539 990799	13...	RHSNB, ⁵ / ₁₆ -18 x ⁵ / ₈
11...539 107627	1...	CAP-SLEEVE	33...539 990550	1...	WASHER, .562
12...539 107630	12...	SCREW, ⁵ / ₁₆ -18 x 1 3/8	34...539 990582	1...	HCS, ³ / ₈ -16 x 1, WHIZLK
13...539 107631	4...	SCREW, ¹ / ₄ -20 x ⁵ / ₈ , TDROLL	35... 539 114046	1...	DECK W/DECALS
14...532 131491	1...	ROD, HINGE	36... 539 113557	1...	BELT SHIELD, LEFT
15...539 990613	1...	NUT, ³ / ₈ -16, WHIZLK	37... 539 113558	1...	BELT SHIELD, RIGHT
16... 539 112053	3...	BLADE, STANDARD	38... 539 113934	1...	SPRING
17... 539 112054	1...	DEFLECTOR	39...539 976979	7...	NUT, ³ / ₈ -16, NYLOC
18... 539 112057	3...	MANDREL	40...539 990365	1...	PIN COTTER, ¹ / ₈ x ³ / ₄
19... 539 112059	1...	BAFFLE, RIGHT	41...539 990517	2...	WASHER, ³ / ₈
20... 539 112060	1...	BAFFLE, LEFT	42...539 990588	3...	HCS, ³ / ₈ -16 x 2
21... 539 112062	1...	BAFFLE, CENTER	NOT SHOWN		
22... 539 112076	2...	IDLER BUSHING	... 539 110832	1...	DECK BELT

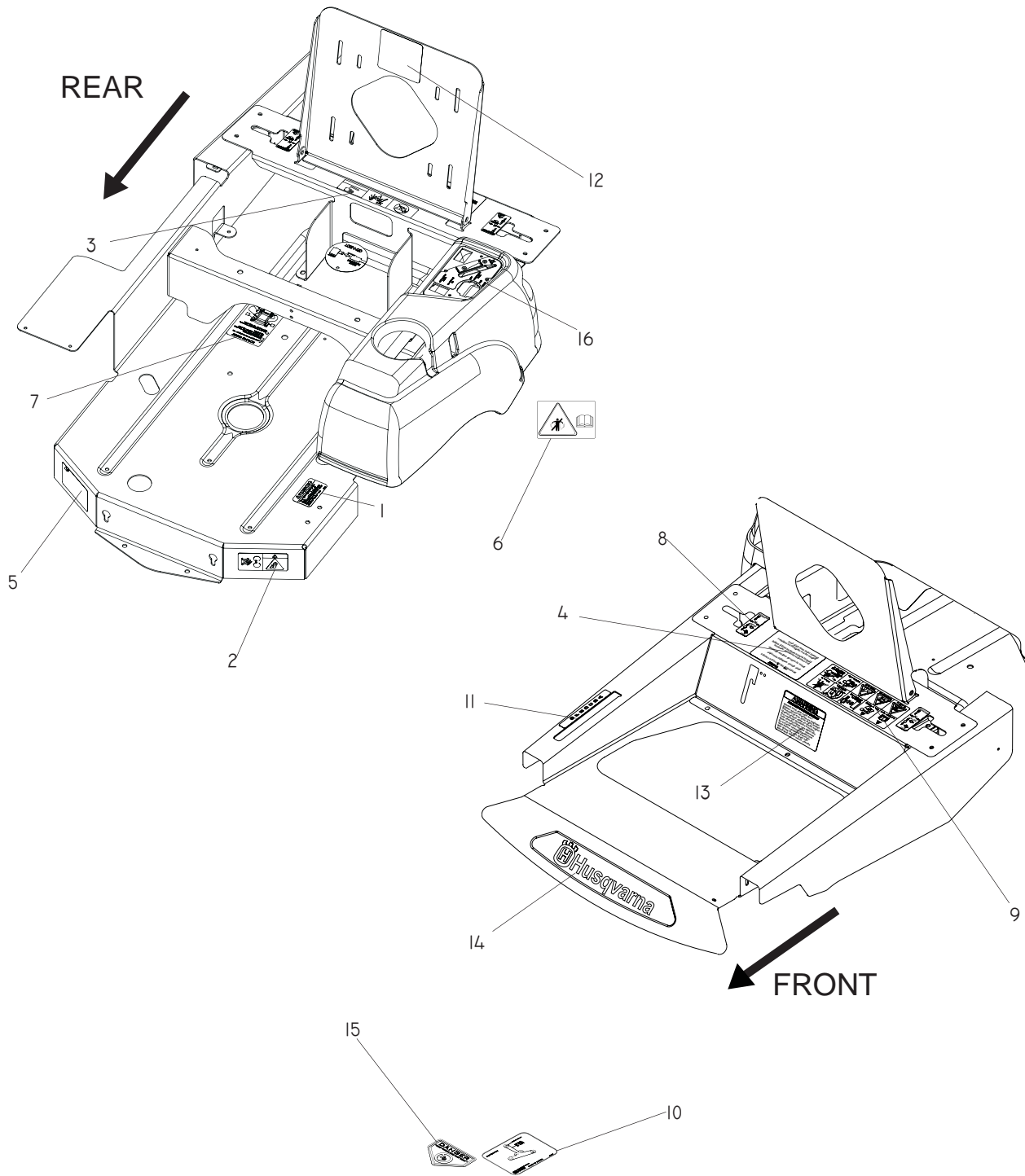
CASTERS



ITEM	PART NO.	QTY.	DESCRIPTION
1...	539 101331 ...	1...	NUT, ½-13, NYLOC
2...	539 101907 ...	1...	HCS, ½-13 x 5½
3...	539 105543 ...	1...	SPACER
4...	539 107494 ...	1...	CASTER

ITEM	PART NO.	QTY.	DESCRIPTION
5...	539 110333 ...	1...	TIRE COMPLETE
6...	539 106995 ...	1...	TIRE
7...	539 912234 ...	1...	VALVE STEM
8...	539 103300 ...	1...	ZERK

DECALS



DECK DECALS

DECALS

ITEM PART NO.	QTY.	DESCRIPTION	ITEM PART NO.	QTY.	DESCRIPTION
1...539 101881	.. 1 ..	DECAL, PROP 65	11..539 113930	.. 1 ..	DECAL, HEIGHT
2...539 105744	.. 1 ..	DECAL DANGER BELT DRIV	12..539 110522	.. 1 ..	DECAL, RESPONSIBILITY
3...539 105745	.. 1 ..	DECAL, BATTERY WARNING	13..539 113213	.. 1 ..	DECAL, WARNING
4...539 108179	.. 1 ..	DECAL, START	14..539 111047	.. 1 ..	DECAL, HUSQ 12" BLUE
5...539 108385	.. 1 ..	DECAL, DO NOT TOW	15..539 913010	.. 1 ..	DECAL, CPSC
6...539 108386	.. 1 ..	DECAL, EXIT MOWER	16..539 110077	.. 1 ..	DECAL, IGNITION CONSOLE MODEL 968999511
7...539 109897	.. 1 ..	SERVICE DECAL	..539 112740	.. 1 ..	DECAL, IGNITION CONSOLE MODELS 968999508, 968999512, 968999655, 968999656
8...539 109898	.. 2 ..	DECAL, MOTION			
9...539 109908	.. 1 ..	DECAL, SAFETY WARN			
10..539 110332	.. 1 ..	DECAL, BELT ROUTING MODELS 968999511, 968999655			
..539 131490	.. 1 ..	DECAL, BELT ROUTING MODEL 968999656			
...539 113942	... 1...	DECAL, BELT ROUTING MODELS 968999508, 968999512			