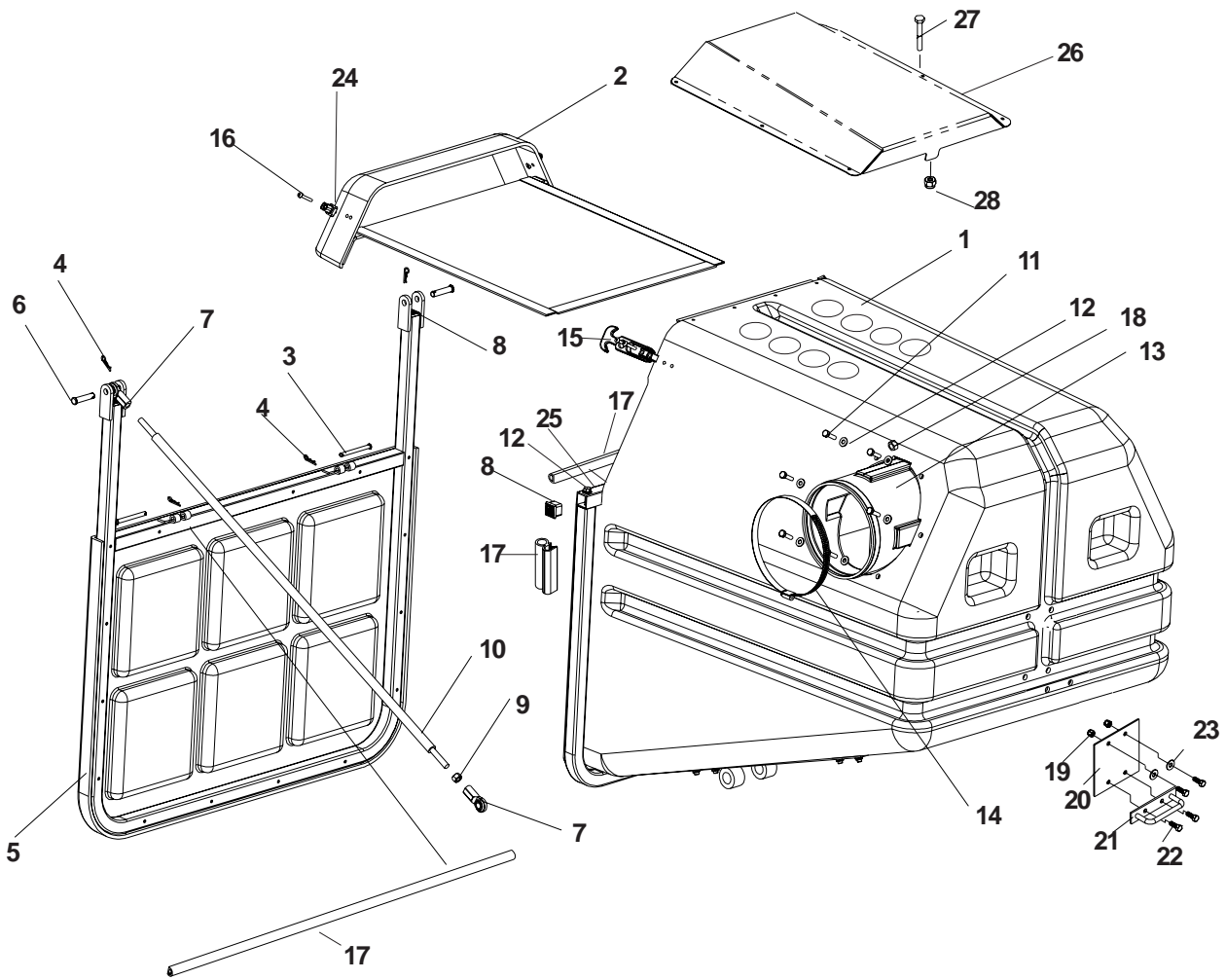


Z1-9 Collection System

Model: 968999196
Parts Manual

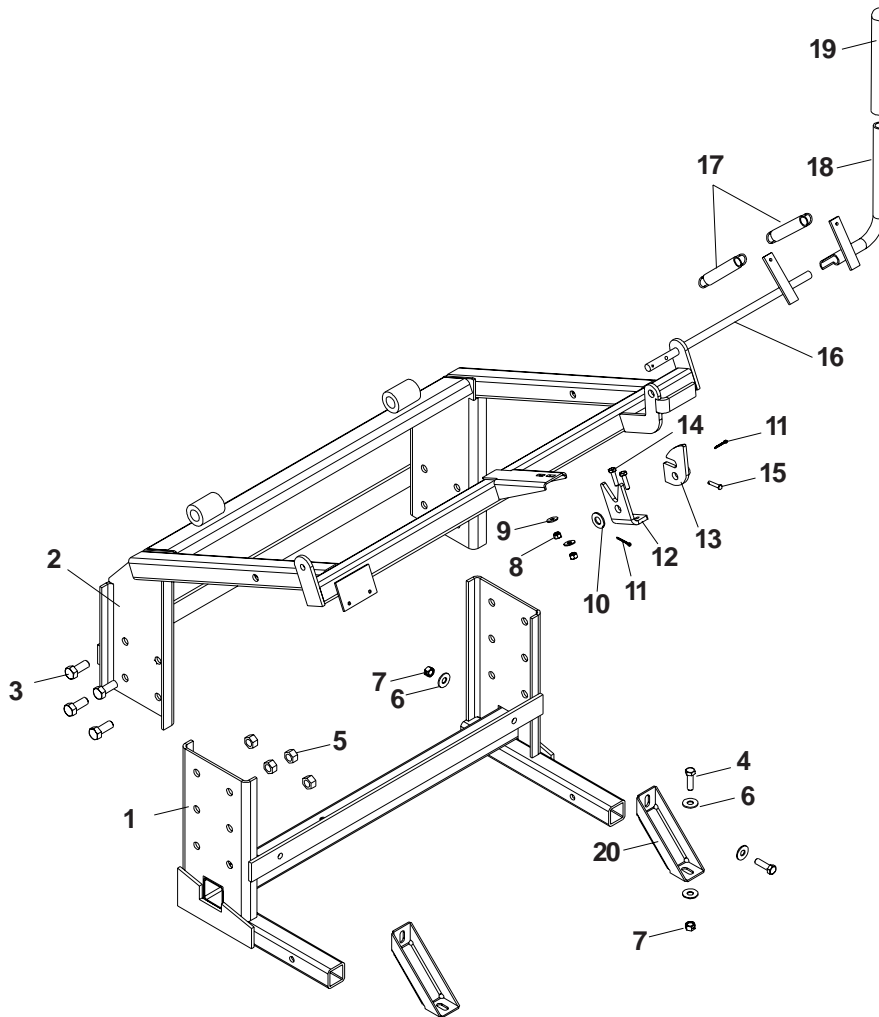
CONTAINER ASSEMBLY



CONTAINER ASSEMBLY

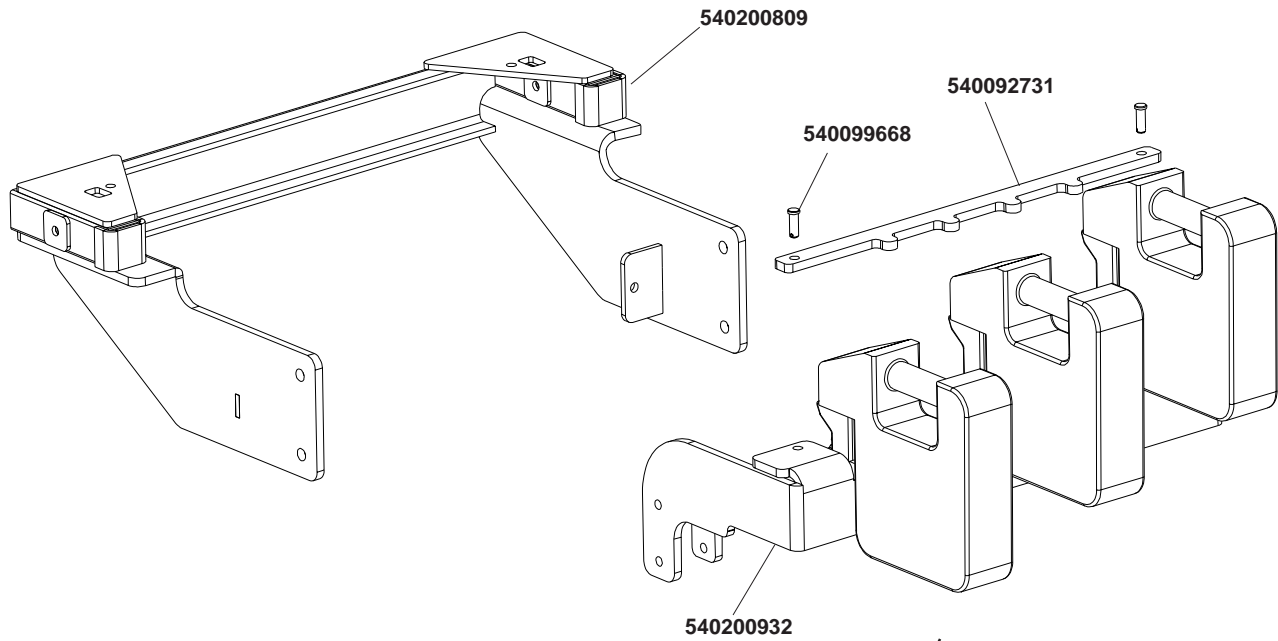
ITEM	PART NO.	QTY	DESCRIPTION
1	539108970	1	CONTAINER ASM.
2	540200873	1	EXHAUST ASM.
3	540200691	2	CLEVIS PIN, 1/4 X 2 3/4
4	540099082	4	HAIR PIN, #13
5	540200872	1	DOOR ASM.
6	540200692	2	CLEVIS PIN, 3/8 X 1 3/4
7	540030425	4	ROD END
8	540200690	4	PLUG
9	540000224	2	NUT, 3/8-24
10	540200520	2	ARM
11	540099008	6	BOLT, 1/4-28 X 1
12	540000405	12	WASHER, 1/4
13	540200408	1	INLET
14	540097076	1	HOSE CLAMP
15	540200478	2	RUBBER LATCH
16	540200641	6	SCREW, 10-24 X 1 1/4, P.T.H.
17	540108134	1	DOOR SEAL KIT (CONTAINS 3 SEALS)
18	540099072	6	NUT, 1/4-20, NYLOC
19	540099065	4	NUT, 3/8-16, NYLOC
20	540200688	1	BACK PLATE
21	540200695	1	LATCH
22	540000168	4	BOLT, 3/8-16 X 1
23	540000417	2	WASHER, 3/8
24	540200423	2	LATCH BASE
25	540000134	2	BOLT, 1/4-20 X 2
26	539109399	1	HOOD
27	539108535	6	SCREW #10-24 X 3/4 STD RD
28	539976977	6	NUT #10-24, NYLOC
	540002004	6	NUT, #10-24, NYLOC (NOT SHOWN)
	540000403	6	WASHER, #10 (NOT SHOWN)

FRAME ASSEMBLY



ITEM	PART NO.	QTY	DESCRIPTION
1	540062072	1	LOWER FRAME
2	540200510	1	UPPER FRAME
3	540099069	8	BOLT, 1/2-13 X 1 1/4
4	540099020	4	BOLT, 3/8-16 X 1 1/4
5	540093082	8	NUT, 1/2-13, NYLOC
6	540000415	8	WASHER, 3/8
7	540099065	4	NUT, 3/8-16, NYLOC
8	540099072	2	NUT, 1/4-20, NYLOC
9	540000405	2	WASHER, 1/4
10	540000425	1	WASHER, 1/2
11	540003585	2	PIN, COTTER, 3/32 X 3/4
12	540200423	1	LATCH BASE
13	540200708	1	LATCH CATCH
14	540099008	2	BOLT, 1/4-20 X 1
15	540000382	1	PIN, CLEVIS, 3/16 X 1
16	540200710	1	LATCH ROD
17	540010195	2	SPRING
18	540200712	1	LATCH HANDLE
19	540061481	1	HANDLE GRIP
20	540061532	2	HITCH BRACKET

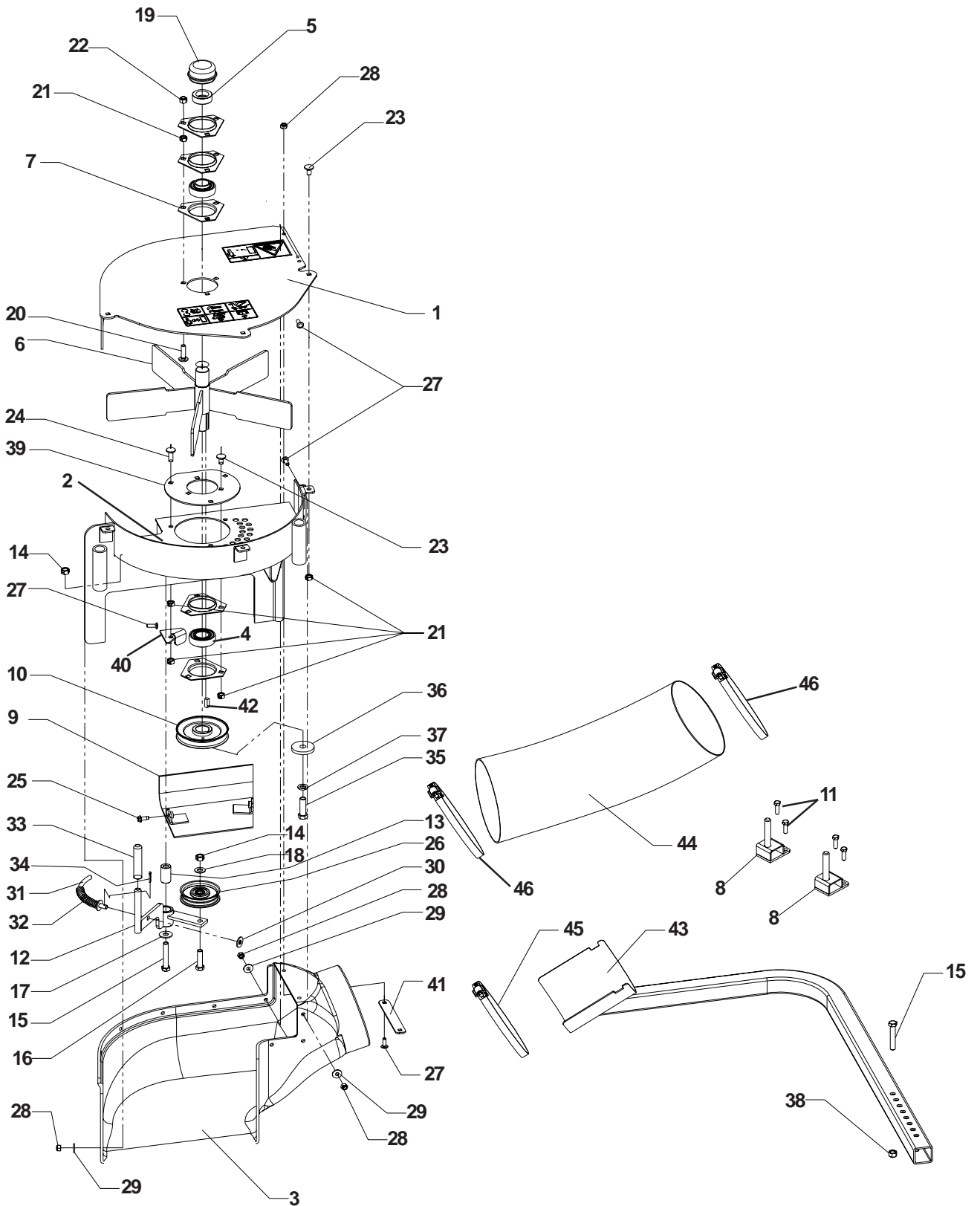
HITCH & FRONT WEIGHT BAR ASSEMBLY



**540092531 FRONT WEIGHT
QTY 2 INCLUDED WITH COLLECTION UNIT
QTY 1 INCLUDED WITH CUSTOM KIT**

SEE INSTRUCTION SHEET INCLUDED WITH CUSTOM KIT FOR PARTS LIST.

SPINDLE DRIVE ASSEMBLY



SPINDLE DRIVE ASSEMBLY

ITEM	PART NO.	QTY	DESCRIPTION
1	(539) 106752	1	FAN COVER W/DECALS
2	(539) 108941	1	UPPER HOUSING
3	(539) 109900	1	LOWER HOUSING
4	(539) 106786	2	BEARING W/O COLLAR
5	(539) 106786	1	LOCKING COLLAR
6	(539) 106707	1	FAN WLDMT.
7	(539) 102691	5	FLANGETTE
8	(539) 108944	2	BLOWER PIN WELDMENT
9	(539) 108301	1	SHEAVE FLOOR
10	(539) 106713	1	SHEAVE, 4"
11	(539) 976941	4	HCS 3/8-16 X 1 1/4
12	(539) 106715	1	IDLER ARM
13	(539) 101836	1	SLEEVE BUSHING
14	(539) 990546	2	NUT 3/8 CTR. LOCK
15	(539) 990629	2	HCS 3/8 X 2.25
16	(539) 990655	1	HCS 3/8 X 1.50
17	(539) 990517	1	WASHER 3/8 FLAT
18	(539) 990122	1	WASHER 3/8 SAE
19	(539) 102535	1	GREASE CAP
20	(539) 100472	3	RHSNB 5/16 X 1.25
21	(539) 990184	13	NUT 5/16 CTR. LOCK
22	(539) 990717	3	NUT 5/16 NYLOC
23	(539) 990799	8	RHSNB 5/16 X .625 SHORT NECK
24	(539) 990208	1	RHSNB 5/16 X 1.00
25	(539) 990362	2	SCREW 1/4 X .625 SELF TAP
26	(539) 106721	1	IDLER
27	(539) 990074	16	RHSNB 1/4 X .75 SHORT NECK
28	(539) 976978	16	NUT 1/4 NYLOC
29	(539) 990598	14	WASHER 1/4 FLAT
30	(539) 990188	1	WASHER 5/16 FLAT SAE
31	(539) 106801	1	SPRING ROD
32	(539) 106720	1	SPRING
33	(539) 101050	1	VINYL GRIP
34	(539) 990037	1	COTTER PIN 3/32 X .750
35	(539) 100141	1	HCS 7/16F X 1.5
36	(539) 106504	1	HEAVY WASHER
37	(539) 990247	1	WASHER 7/16 LOCK
38	(539) 976979	9	NUT 3/8 NYLOC
39	(539) 106809	1	BEARING PLATE
40	(539) 106811	1	BELT GUIDE
41	(539) 106812	1	BACKING
42	(539) 102067	1	KEY 1/4 X .75 SQ.
43	(539) 106751	1	SUPPORT
44	(539) 106748	1	HOSE
45	(539) 097076	1	HOSE CLAMP
46	(539) 109901	2	OVER CENTER BAND

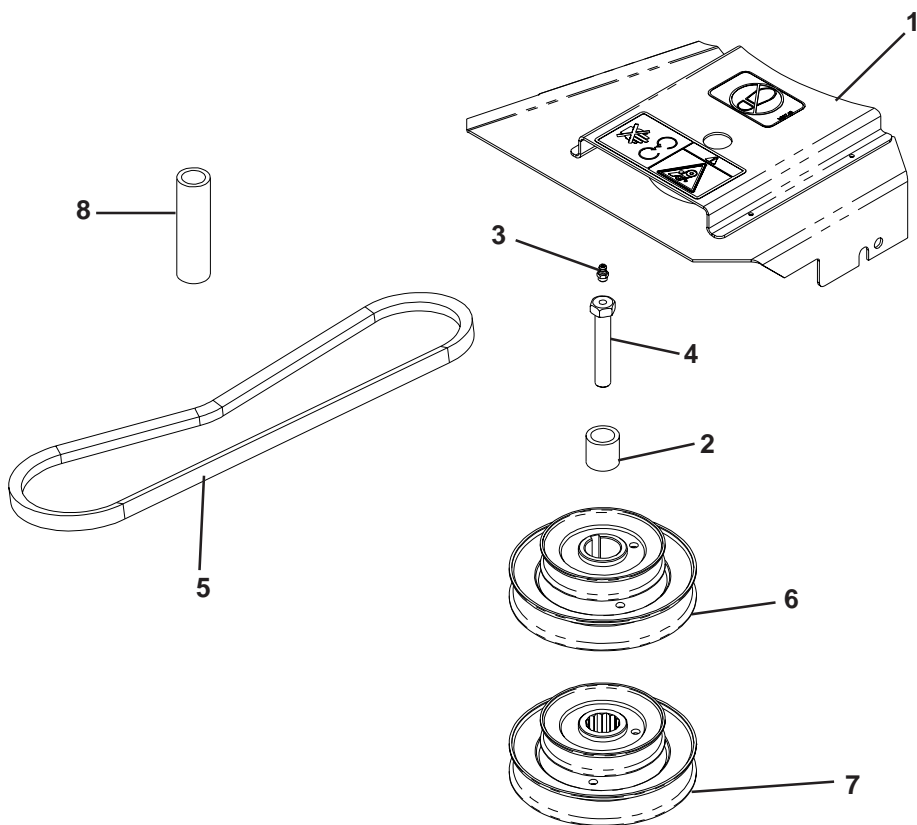
DRIVE KIT ASSEMBLY

(539) 108960 - 42 INCH DECK

(539) 108961 - 48 INCH DECK

(539) 108962 - 52 INCH DECK

(539) 108963 - 61 INCH DECK



ITEM	PART NO.	QTY	DESCRIPTION
1	(539) 108950	1	42 SHIELD
	(539) 108953	1	48 SHIELD
	(539) 108958	1	52 SHIELD
	(539) 108959	1	61 SHIELD
2*	(539) 106739	1	SPACER
3	(539) 976998	1	ZERK
4	(539) 108951	1	HCS 7/16 X 2.5, SPEC.
5	(539) 106723	1	BELT-42
	(539) 106724	1	BELT-48
	(539) 106725	1	BELT-52
	(539) 106726	1	BELT-61
6	(539) 106744	1	STACKED SHEAVE 42-48
	(539) 106745	1	STACKED SHEAVE 52
	(539) 106746	1	STACKED SHEAVE 61
7	(539) 108946	1	DOUBLE HEX STACKED SHEAVE 42-48
	(539) 108947	1	DOUBLE HEX STACKED SHEAVE 52
	(539) 108948	1	DOUBLE HEX STACKED SHEAVE 61
8	(539) 106787	2	STOP - USED ON 42" & 48" ONLY

*NOTE: ITEM 2 USED ON KEYED SHAFT ASSEMBLIES ONLY.