

Repair Parts Manual Manual De Repuestos

YTH22V42/96043018600

Please read the operator's manual carefully and make sure you understand the instructions before using the machine.

Por favor lea cuidadosamente y comprenda estas instrucciones antes de usar esta maquina.



English/Spanish



585 98 74-27

HOW TO USE THIS MANUAL

This manual is designed to provide the customer with a means to identify the parts on his/her tractor when ordering repair parts. The illustrations may or may not represent the actual assemblies; therefore, it is not recommended to use this manual as a guide to assemble or disassemble the tractor. Some hardware and parts are drawn larger in order to more readily identify them.

Each tractor has its own model number.

The model number for your tractor can be found on the fender under the seat.

When ordering parts, always give the following information:

- Product - "TRACTOR"
- MODEL NUMBER - "YTH22V42" (96043018600)"
- Part Number
- Part Description

TABLE OF CONTENTS

SCHEMATIC	3
ELECTRICAL.....	4-5
CHASSIS	6-7
DRIVE.....	8-9
ENGINE.....	10-11
STEERING	12-13
MOWER DECK.....	14-15
MOWER LIFT.....	16
SEAT	17
DECALS.....	18

COMO UTILIZAR ESTE MANUAL

Este manual está diseñado para brindarle al comprador un medio para identificar las piezas del tractor para cuando necesite hacer el pedido de un repuesto. Las ilustraciones pueden o no representar los ensambles reales; por lo tanto, no se recomienda utilizar este manual como una guía para ensamblar o desarmar el tractor. Algunos accesorios y piezas están dibujados en tamaños más grandes para identificarlos con mayor facilidad.

Cada tractor tiene su propio número de modelo.

El número de modelo del tractor se encuentra en el guardabarros debajo del asiento.

Cuando haga el pedido de una pieza, siempre brinde la siguiente información:

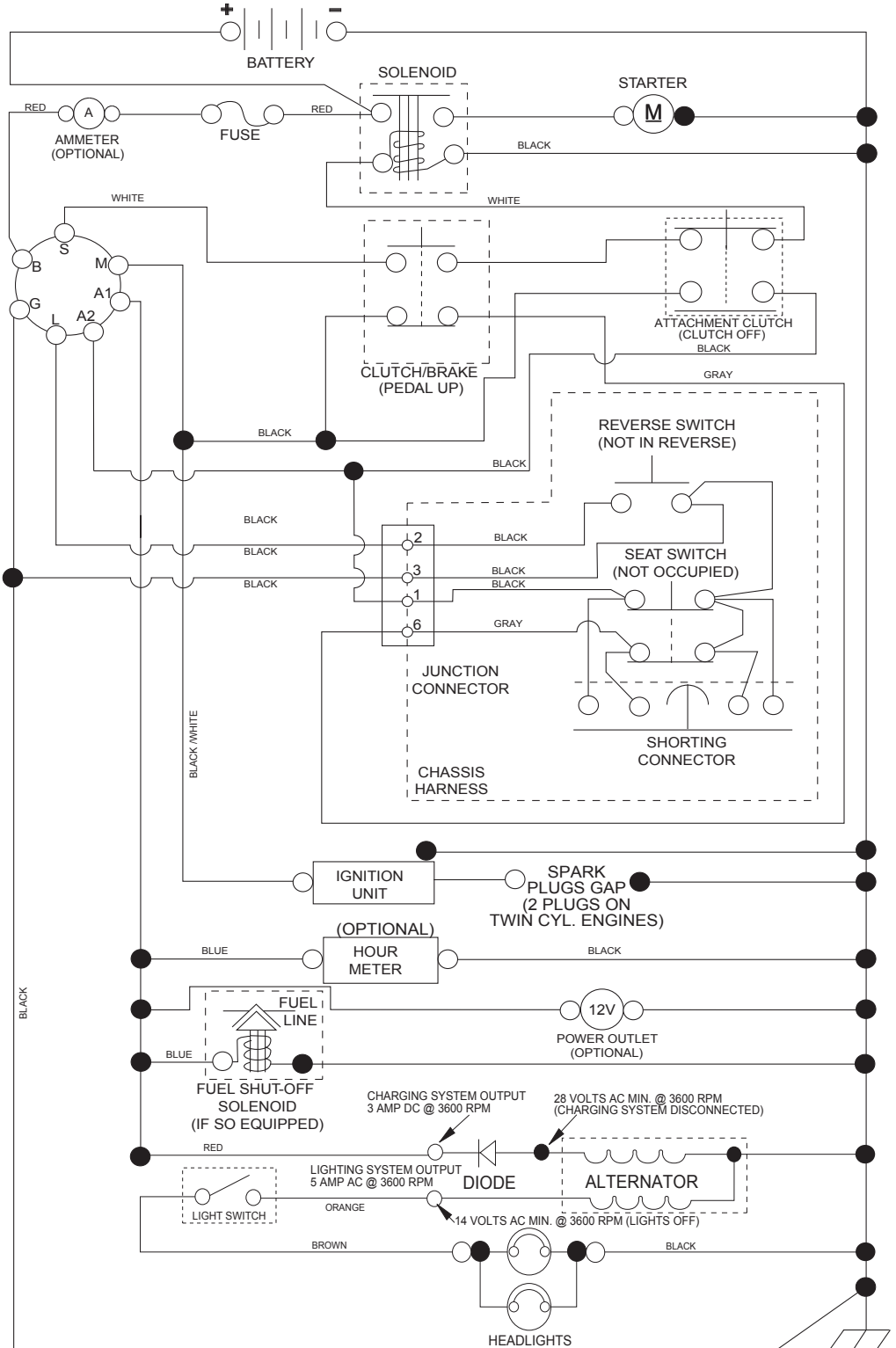
- Producto: "TRACTOR"
- NÚMERO DE MODELO: "YTH22V42" (96043018600)"
- Número de pieza
- Descripción de la pieza

ÍNDICE

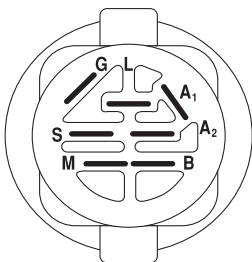
DIAGRAMA.....	19
DIAGRAMA ELÉCTRICO	20-21
CHASIS.....	22-23
TRANSMISIÓN	24-25
MOTOR	26-27
DIRECCIÓN	28-29
PLATAFORMA DE LA CORTADORA DE CÉSPED.....	30-31
ELEVACIÓN DE LA CORTADORA DE CÉSPED.....	32
ASIENTO.....	33
CALCOMANÍAS.....	34

TRACTOR - - MODEL NO. YTH22V42 (96043018600), PRODUCT NO. 960 43 01-86 SCHEMATIC

SCH11

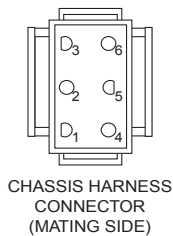


NOTE
YOUR TRACTOR IS EQUIPPED WITH A SPECIAL ALTERNATOR SYSTEM. THE LIGHTS ARE NOT CONNECTED TO THE BATTERY, BUT HAVE THEIR OWN ELECTRICAL SOURCE. BECAUSE OF THIS, THE BRIGHTNESS OF THE LIGHTS WILL CHANGE WITH ENGINE SPEED. AT IDLE THE LIGHTS WILL DIM. AS THE ENGINE IS SPEEDED UP, THE LIGHTS WILL BECOME THEIR BRIGHTEST.

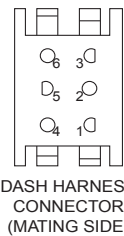


IGNITION SWITCH

POSITION	CIRCUIT "MAKE"
OFF	M+G+A1
RUN/OVERRIDE	B+A1
RUN	B+A1 L+A2
START	B + S + A1

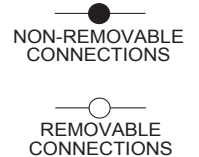


CHASSIS HARNESS CONNECTOR (MATING SIDE)

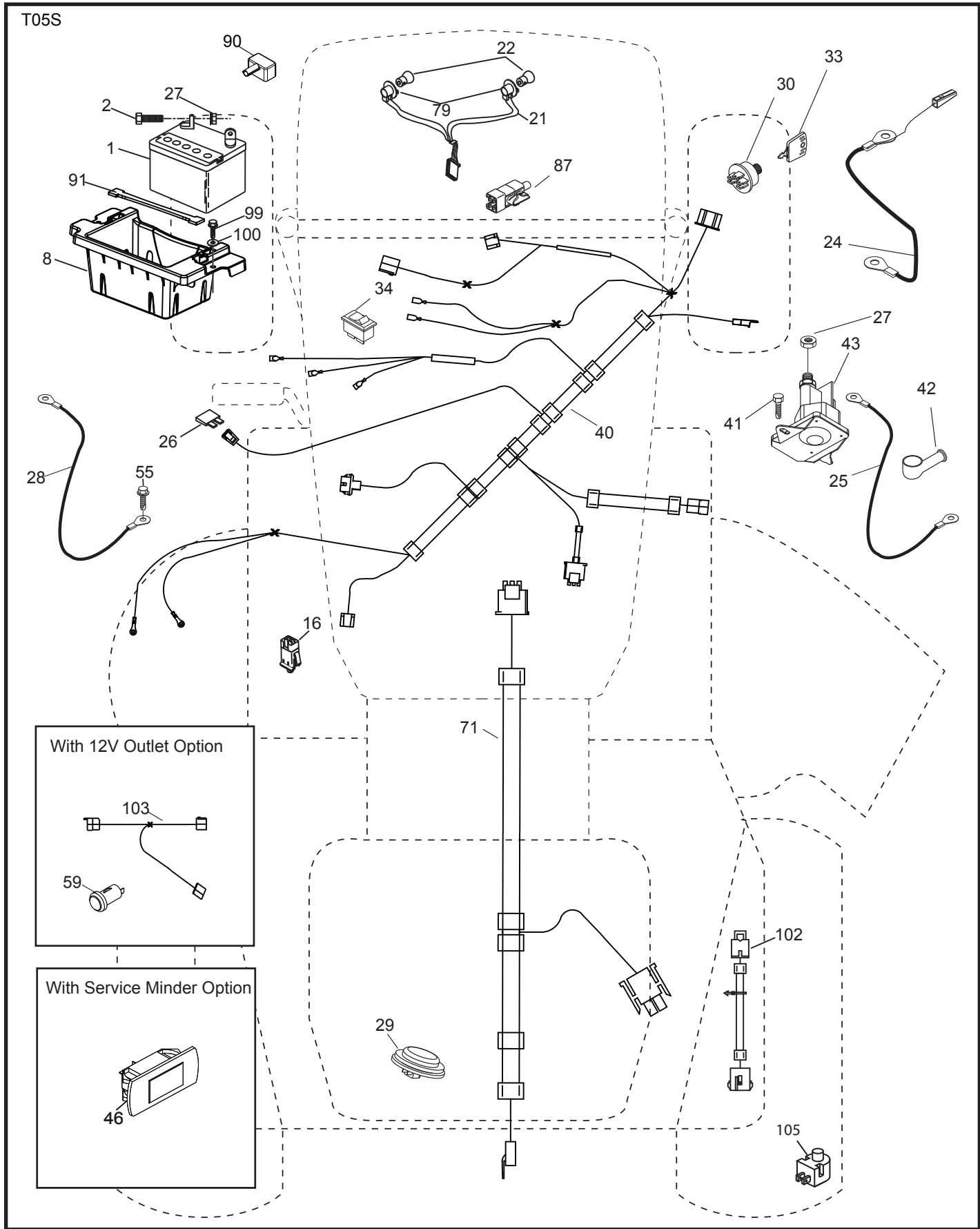


DASH HARNESS CONNECTOR (MATING SIDE)

WIRING INSULATED CLIPS
NOTE: IF WIRING INSULATED CLIPS WERE REMOVED FOR SERVICING OF UNIT, THEY SHOULD BE RE-INSTALLED TO PROPERLY SECURE YOUR WIRING.



TRACTOR - - MODEL NO. YTH22V42 (96043018600), PRODUCT NO. 960 43 01-86
ELECTRICAL

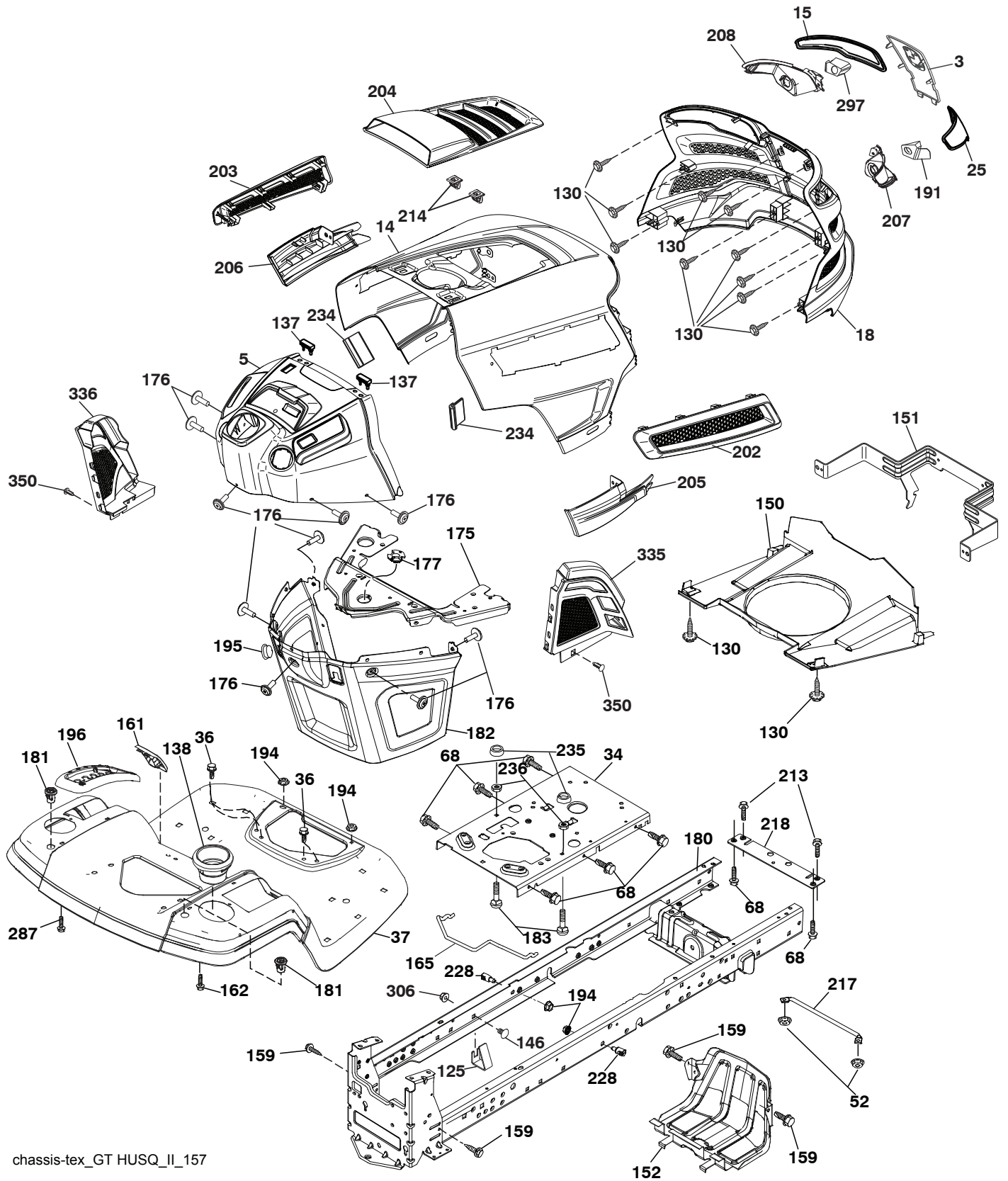


**TRACTOR - - MODEL NO. YTH22V42 (96043018600), PRODUCT NO. 960 43 01-86
ELECTRICAL**

KEY NO.	PART NO.	DESCRIPTION
1	532 16 34-65	Battery
2	874 76 04-12	Bolt Hex Head 1/4-20 x 3/4
8	532 41 41-26	Box Battery
16	532 17 61-38	Switch Interlock Push-In
21	532 40 02-52	Harness Socket Light w/4152J
22	532 00 41-52	Bulb Light
24	532 40 02-53	Cable Battery
25	585 55 55-01	Cable Starter
26	532 17 51-58	Fuse
27	873 51 04-00	Nut Keps Hex 1/4-20 unc
28	532 14 54-91	Cable, Ground
29	532 40 15-45	Switch, Seat
30	532 19 33-50	Switch, Ign.
33	532 41 19-33	Key/Chain
34	532 11 07-12	Switch Light/Reset
40	532 40 10-98	Harness Ign. Dash
41	817 72 04-08	Screw Thd. Cut 1/4-20 x 1/2
42	532 13 15-63	Cover, Terminal
43	532 19 25-07	Solenoid
46	532 40 17-63	Gauge Srvc. Mndr. Hr. Mtr.
55	817 06 05-12	Screw Thdrol. 5/16-18 x 3/4 TYTT
71	532 19 42-76	Harness Ign. Chassis
79	532 17 52-42	Socket Asm.
87	532 19 78-02	Switch Interlock Clutch Cable
90	532 43 53-95	Cover Terminal
91	532 19 02-70	Strap Battery
99	817 67 04-12	Screw 1/4-20 x 3/4
100	819 09 14-16	Washer 9/32 x 7/8 x 16 Ga.
102	532 40 44-54	Harness Pigtail
105	532 40 75-68	Switch Reverse

NOTE: All component dimensions given in U.S. inches
1 inch = 25.4 mm

TRACTOR - - MODEL NO. YTH22V42 (96043018600), PRODUCT NO. 960 43 01-86
CHASSIS AND ENCLOSURES



chassis-tex_GT HUSQ_II_157

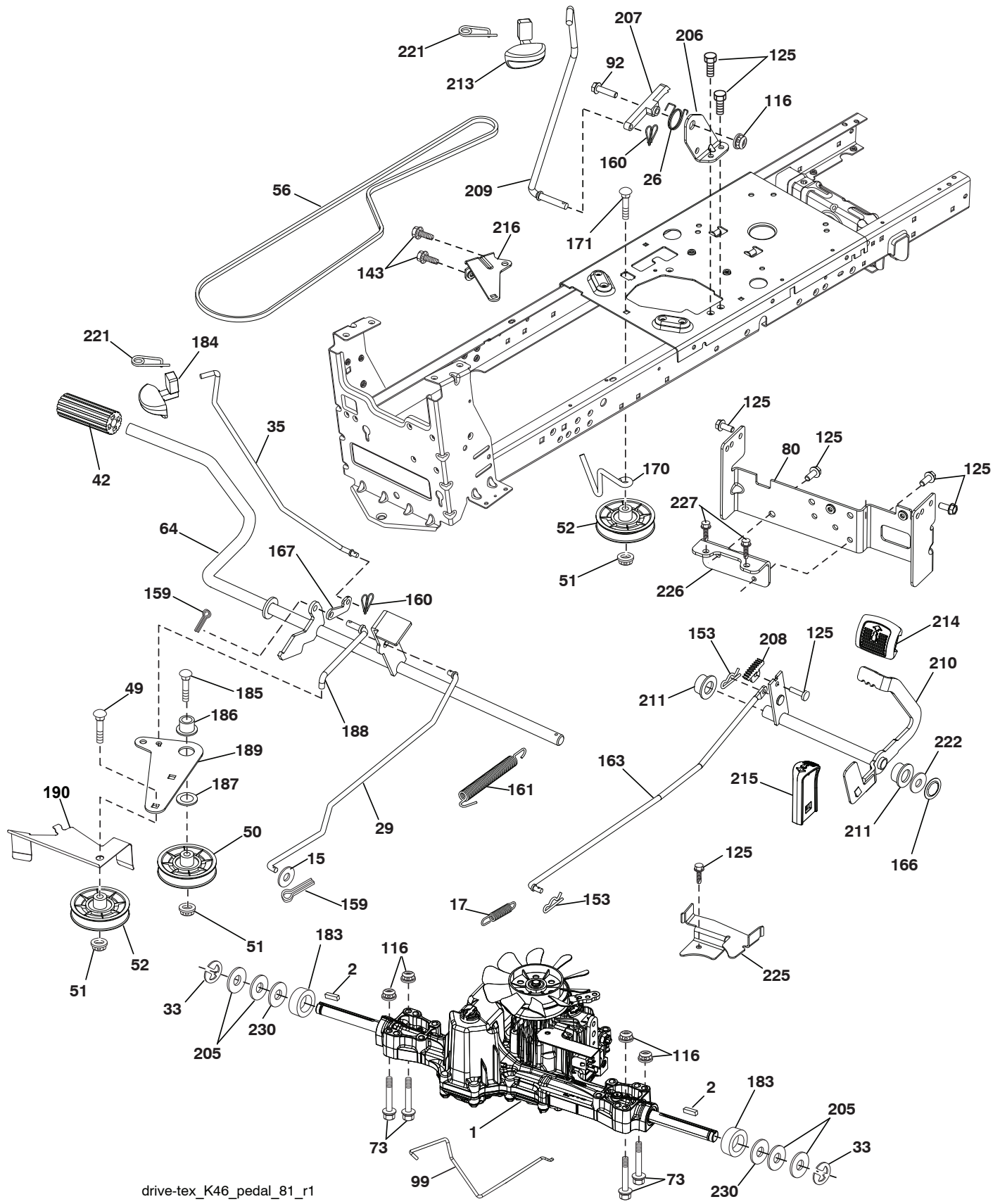
**TRACTOR - - MODEL NO. YTH22V42 (96043018600), PRODUCT NO. 960 43 01-86
CHASSIS AND ENCLOSURES**

KEY NO.	PART NO.	DESCRIPTION
3	532 43 97-52	Logo
5	581 46 69-01	Dash
14	532 44 11-77	Hood
15	532 43 97-33	Lens LH
18	532 44 06-53	Grille
25	532 44 33-85	Lens RH
34	580 91 08-01	Plate Engine
36	817 06 05-12	Screw 5/16-18 x 3/4
37	532 44 12-69	Fender
52	873 68 05-00	Nut Crown Lock 5/16
68	817 49 05-08	Screw Thdrol. 5/16-18 x 1/2
125	581 68 48-01	Clip Fuel Line
130	532 41 63-58	Screw #10 x 0.750
137	532 40 75-90	Bumper Dash
138	532 43 97-47	Cupholder
146	581 85 79-01	Bolt
150	532 43 97-74	Air Duct
151	532 43 66-70	Bracket Pivot
152	532 43 98-70	Shield Browning
159	817 00 06-12	Screw hexwsh Thdr 3/8-16 x 3/4
161	532 43 97-81	Window Fuel
162	532 14 24-32	Screw
165	532 19 68-26	Support Tank Rear
175	532 19 63-04	Crossmember
176	532 40 07-76	Screw 10-24 x 5/8
177	532 19 52-27	Bushing Steering
180	532 19 54-57	Chassis
181	532 43 97-46	Bushing
182	532 40 68-59	Dash Lower
183	874 52 05-20	Bolt 5/16-18 unc x 1-1/4
191	532 43 74-55	Insert Reflective RH

KEY NO.	PART NO.	DESCRIPTION
194	873 90 05-00	Nut Lock Hex Flange 5/16-18
195	532 40 41-37	Plug Hole Dash
196	532 43 96-47	Console Asm. Deck Lift
202	532 43 97-28	Vent Side Hood RH
203	532 43 97-27	Vent Side Hood LH
204	532 43 57-14	Vent Top Hood
205	532 43 97-30	Skirt Side RH
206	532 43 97-29	Skirt Side LH
207	532 43 97-34	Bezel RH
208	532 43 97-35	Bezel LH
213	874 76 05-12	Bolt 5/16-18 x 3/4
214	532 19 91-45	Clip Retainer
217	532 40 91-67	Rod Pivot Hood
218	532 19 63-95	X-Piece Hood Stop
228	532 19 51-61	Stud Fastener
234	532 40 47-42	Bumper Hood
235	532 40 61-29	Spacer Fender
236	873 93 05-00	Nut Lock 5/16-18 unc
287	817 60 04-06	Screw Hex Washhead 1/4-20 x 3/8
297	532 43 74-56	Insert Reflective LH
306	873 90 06-00	Nut Lock
335	532 44 82-04	Cover RH Lower Close Out
336	532 44 53-09	Cover Lower Dash LH
350	532 44 51-43	Clip X-mas Tree

NOTE: All component dimensions given in U.S. inches
1 inch = 25.4 mm

TRACTOR - - MODEL NO. YTH22V42 (96043018600), PRODUCT NO. 960 43 01-86
DRIVE



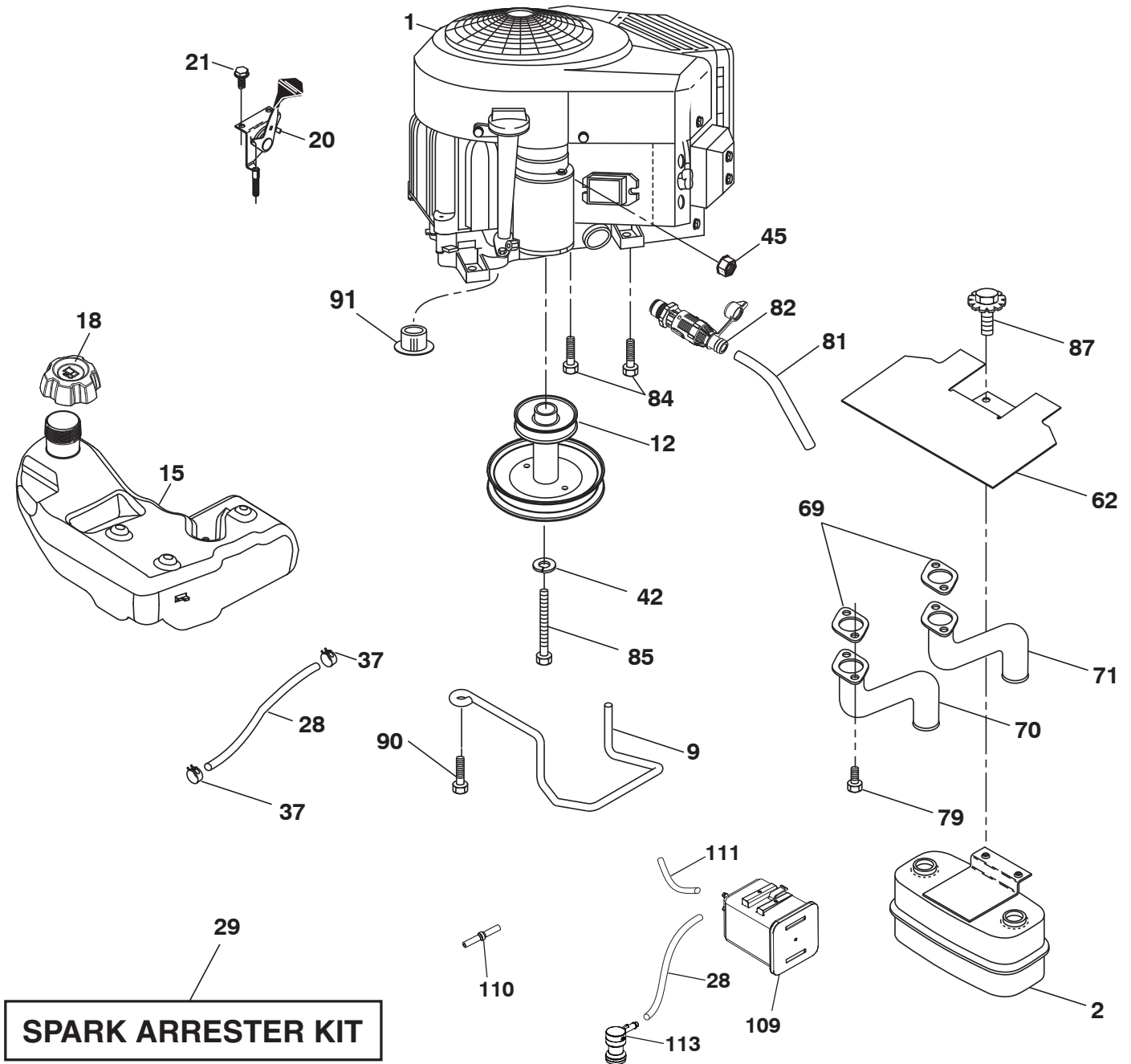
drive-tex_K46_pedal_81_r1

**TRACTOR - - MODEL NO. YTH22V42 (96043018600), PRODUCT NO. 960 43 01-86
DRIVE**

KEY NO.	PART NO.	DESCRIPTION	KEY NO.	PART NO.	DESCRIPTION
1	- - - - -	Transaxle, TUFFTORQ K46 BT (426120) (Order parts from transaxle manufacturer.)	170	532 19 43-22	Keeper Belt Centerspan
2	532 12 35-83	Key	171	872 11 06-16	Bolt Rdhd. Sqnk. 3/8-16 unc x 2
15	819 13 13-16	Washer 13/32 x 13/16 x 16 Ga.	183	532 13 70-57	Spacer Split
17	532 41 36-78	Spring Brake	184	532 44 14-55	Handle Parking Brake
26	532 19 96-79	Spring Return Cruise	185	872 11 06-22	Bolt Rdhd. Sqnk. 3/8-16 x 2-3/4 Gr. 5
29	532 40 38-06	Rod, Brake	186	532 19 43-21	Spacer Retainer
33	812 00 00-01	Ring E	187	819 13 32-10	Washer
35	583 86 45-01	Rod Brake Park	188	532 19 43-23	Link Clutch Ground Drive
42	532 12 48-72	Cover Foot Pedal	189	532 19 43-17	Bellcrank Ground Drive
49	872 11 06-14	Bolt	190	532 19 43-18	Keeper Bellcrank Ground Drive
50	532 19 43-27	Pulley Idler Flat	205	532 12 17-48	Washer
51	873 90 06-00	Lock Nut 3/8-16	206	532 44 85-96	Bracket Mount Latch Cruise
52	532 19 43-26	Idler V-Groove	207	532 19 78-68	Latch Control Cruise
56	532 13 09-69	V-Belt Drive	208	532 19 78-69	Gear Sector Control Cruise
64	532 19 78-65	Shaft Asm. Pedal Brake Control	209	532 19 95-92	Rod Control Drive
73	874 49 05-40	Bolt 5/16-18 x 2-1/2 Gr. 5	210	532 40 09-80	Rocker Asm Pedel Control
80	532 44 06-19	Strap Torque	211	532 12 01-83	Bearing Nylon
92	874 76 05-20	Bolt Hex 5/16-18 x 1.25	213	532 40 31-19	Knob Control Cruise
99	532 41 57-42	Rod Asm. Bypass	214	532 42 12-63	Pedal Forward Pad
116	873 90 05-00	Nut Lock Hex Flange 5/16-18	215	532 40 17-23	Pedal Reverse
125	817 00 05-12	Screw 5/16-18 x 3/4	216	532 19 61-31	Bracket Pulley Idler
143	817 49 05-08	Screw 5/16-18 x 1/2	221	532 40 31-87	Retainer Spring Clip Handle
153	532 12 47-88	Retainer Spring	222	879 21 20-10	Washer 21/32 x 1-1/4 10 Ga.
159	876 02 04-12	Pin Cotter 1/8 x 3/4	225	532 40 33-19	Keeper Belt Trans.
160	532 16 94-84	Retainer Clip	226	532 40 15-64	Bracket Mount Torque
161	532 10 57-09	Spring Return Clutch	227	817 49 05-12	Screw 5/16-18 x 3/4
163	532 44 82-75	Rod Control Pedal	230	532 18 89-67	Washer Hardened
166	532 42 91-64	Nut Push			
167	532 40 52-57	Latch Brake Parking			

NOTE: All component dimensions given in U.S. inches
1 inch = 25.4 mm

TRACTOR - - MODEL NO. YTH22V42 (96043018600), PRODUCT NO. 960 43 01-86
ENGINE



engine-tex_bs-2cyl_45_r1

**TRACTOR - - MODEL NO. YTH22V42 (96043018600), PRODUCT NO. 960 43 01-86
ENGINE**

KEY NO.	PART NO.	DESCRIPTION
1	-- -- -- --	Engine Briggs Model No. 44R677-0014-G1 (585925901) (Order parts from engine manufacturer.)
2	532 44 59-62	Muffler
9	584 90 80-01	Keeper Belt Engine
12	532 40 54-71	Pulley Engine
15	532 42 07-22	Tank Fuel
18	532 43 92-08	Cap Fuel
20	532 42 35-02	Control Throttle
21	532 41 63-58	Screw #10 x 0.750
28	532 40 11-35	Fuel Line
29	532 13 71-80	Spark Arrester Kit
37	532 12 34-87	Clamp Hose
42	810 04 07-00	Bolt 5/16-18 unc x 3/4 w/Sems.
45	873 51 04-00	Nut Keps Hex 1/4-20 unc
62	532 43 40-17	Shield Heat Muffler
69	532 16 53-91	Gasket
70	581 88 11-01	Exhaust Tube RH
71	581 88 10-01	Exhaust Tube LH
79	532 18 39-06	Screw Socket Head 5/16-18 x 1
81	532 14 84-56	Tube Oil Drain
82	532 42 82-87	Valve Oil Drain
84	817 06 06-20	Screw 3/8-16 x 1-1/4
85	532 17 39-37	Bolt Hex 7/16-20 x 4 Gr. 5
87	532 17 18-77	Bolt 5/16-18 unc x 3/4 w/Sems.
90	817 00 06-16	Screw 3/8-16 x 1
91	532 18 74-95	Bushing
109	532 41 41-14	Canister Carbon Filter Asm.
110	532 41 41-18	Valve Anti-Slosh
111	532 41 41-19	Purge Line
113	532 41 41-27	Valve Slant Cartridge

NOTE: All component dimensions given in U.S. inches
1 inch = 25.4 mm

For engine service and replacement parts, call the toll free number for your engine manufacturer listed below:

Briggs & Stratton 1-800-233-3723

Engine Power Rating Information

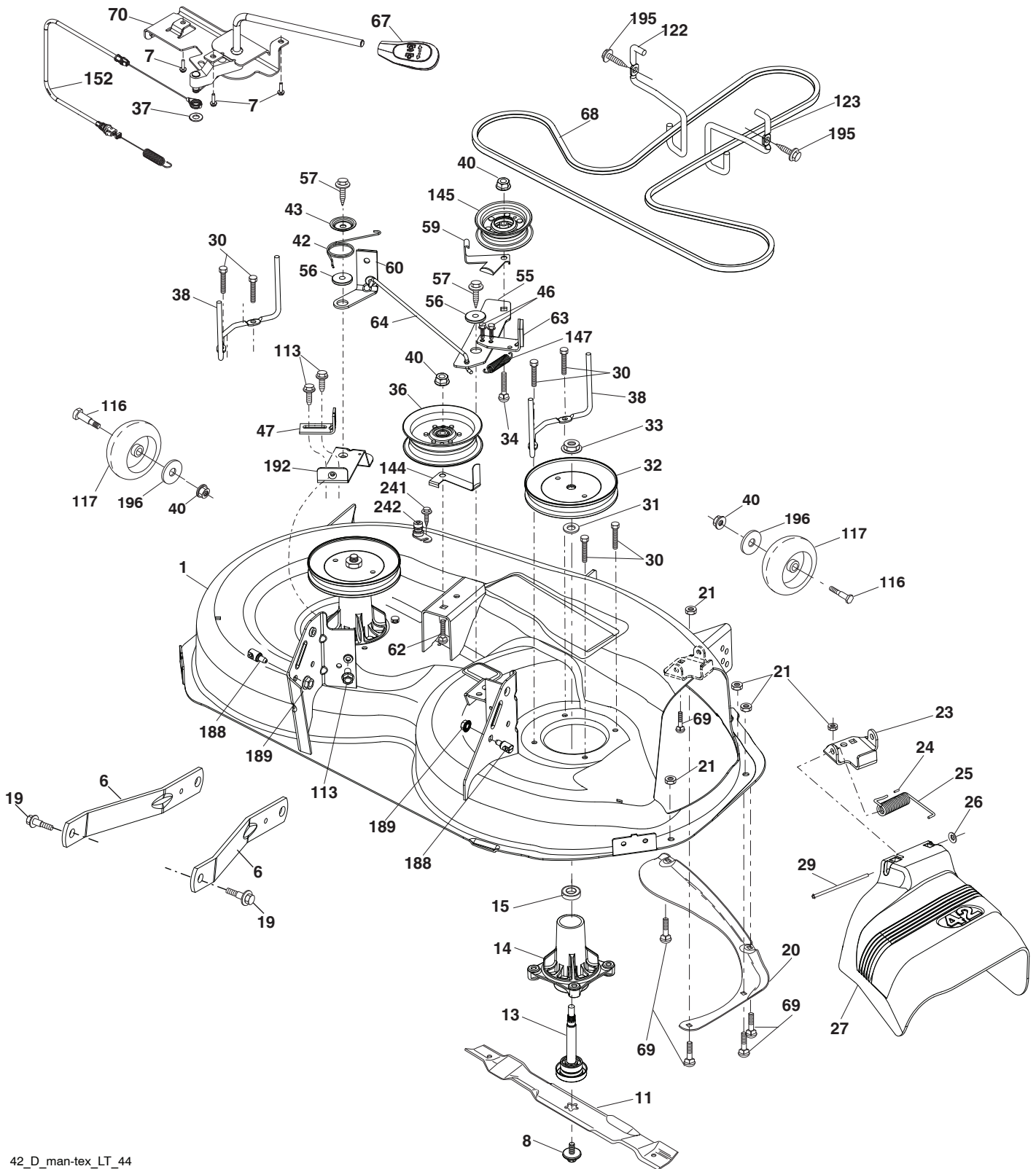
The gross power rating for individual gas engine models is labeled in accordance with SAE (Society of Automotive Engineers) code J1940 (Small Engine Power & Torque Rating Procedure), and rating performance has been obtained and corrected in accordance with SAE J1995 (Revision 2002-05). Torque values are derived at 3060 RPM; horsepower values are derived at 3600 RPM. Actual gross engine power will be lower and is affected by, among other things, ambient operating conditions and engine-to-engine variability. Given both the wide array of products on which engines are placed and the variety of environmental issues applicable to operating the equipment, the gas engine will not develop the rated gross power when used in a given piece of power equipment (actual "on-site" or net power). This difference is due to a variety of factors including, but not limited to, accessories (air cleaner, exhaust, charging, cooling, carburetor, fuel pump, etc.), application limitations, ambient operating conditions (temperature, humidity, altitude), and engine-to-engine variability. Due to manufacturing and capacity limitations, Briggs & Stratton may substitute an engine of higher rated power for this Series engine.

**TRACTOR - - MODEL NO. YTH22V42 (96043018600), PRODUCT NO. 960 43 01-86
STEERING ASSEMBLY**

KEY NO.	PART NO.	DESCRIPTION
1	532 43 97-40	Wheel, Steering
2	532 19 59-68	Axle
4	532 40 30-87	Spindle Asm., LH
5	532 40 30-88	Spindle Asm., RH
6	532 12 49-31	Bearing, Race Thrust Harden
7	532 12 17-48	Washer 25/32 x 1-5/8 x 16 Ga.
8	812 00 00-29	Ring, Clip #T5304-75
9	532 12 12-32	Cap, Spindle
13	532 12 17-49	Washer 25/32 x 1-1/4 x 16 Ga.
14	810 04 06-00	Washer, Lock Hvy. Hlcl. Spr. 3/8
15	873 54 06-00	Nut, Crown Lock 3/8-24 unf
16	532 40 82-19	Shaft Steering
19	532 19 47-29	Plate Steering
21	532 18 67-37	Adapter, Wheel Steering
22	532 42 05-37	Steering, Support
26	532 43 97-43	Insert, Wheel, Steering
28	817 00 06-12	Screw 3/8-16 x 3/4
35	532 19 47-32	Gear, Sector Plate
45	819 18 38-12	Washer 9/16 x 2-3/8 12 Ga.
51	873 94 08-00	Nut Hex Jam Toplock 1/2-20 unf
53	532 18 89-67	Washer Hardened
57	532 40 74-65	Bracket Upstop
58	532 19 47-47	Bolt Shoulder Sector Pivot CFM
59	532 19 47-48	Washer Thrust Sector Steering
60	873 97 10-00	Nut Flange Lock 5/8-11
61	532 19 47-40	Draglink, LH
62	532 19 47-41	Draglink, RH
63	817 00 05-12	Screw 5/16-18 x 3/4
64	532 19 98-49	Retainer Clip Spring Steering
66	871 02 07-48	Bolt Hex Fghd. 7/16-14 x 3 Serr.
67	532 19 47-37	Bushing PM Front Axle
68	873 90 07-00	Nut Lock Flange 7/16-14 Gr. 5
69	532 19 91-62	Washer 1.5 x .505 x .118
70	532 19 61-97	Bracket Deck Susp. Front
122	532 44 49-62	Cap Gear

NOTE: All component dimensions given in U.S. inches
1 inch = 25.4 mm

TRACTOR - - MODEL NO. YTH22V42 (96043018600), PRODUCT NO. 960 43 01-86
MOWER DECK



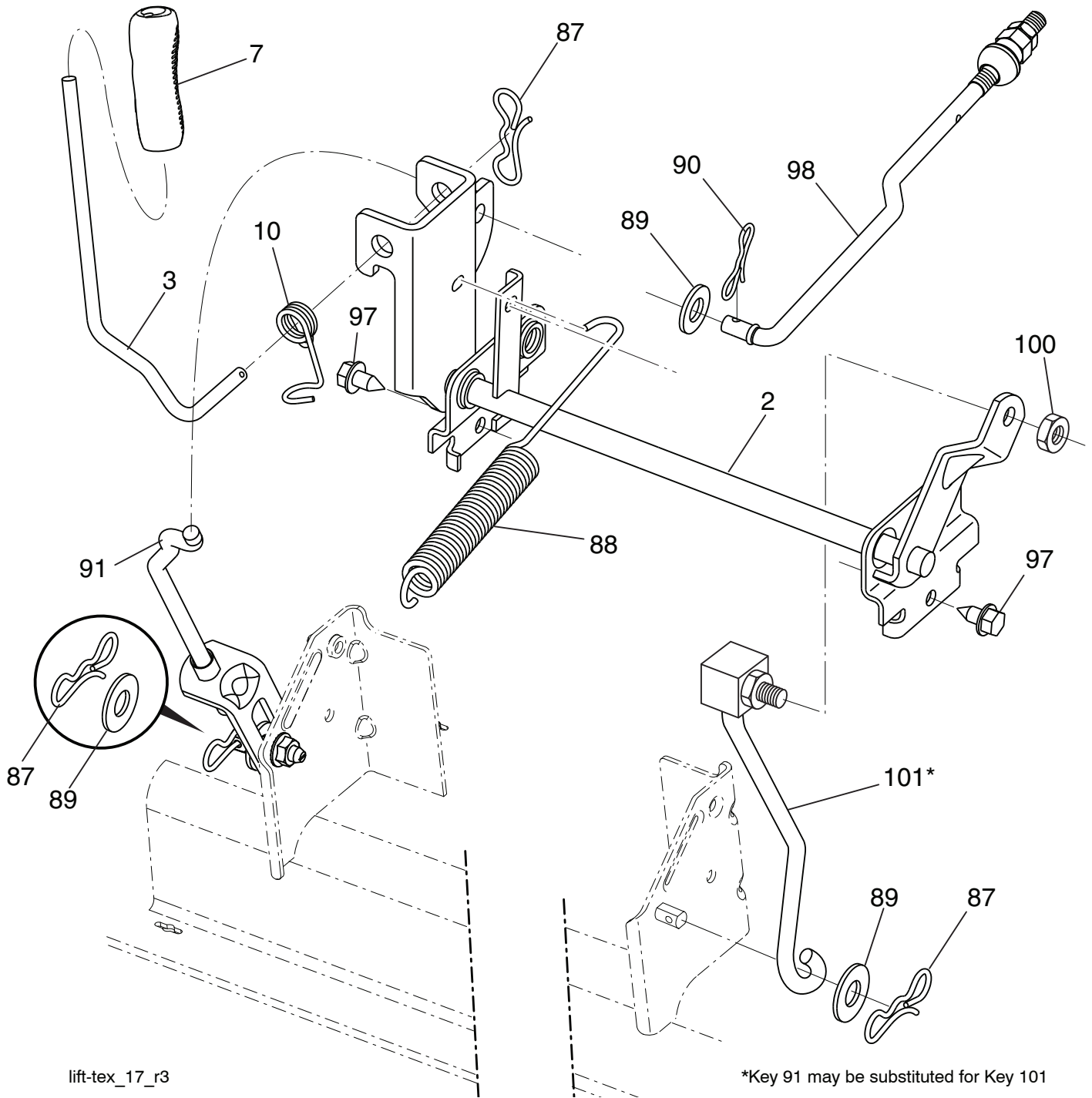
42_D_man-tex_LT_44

**TRACTOR - - MODEL NO. YTH22V42 (96043018600), PRODUCT NO. 960 43 01-86
MOWER DECK**

KEY NO.	PART NO.	DESCRIPTION	KEY NO.	PART NO.	DESCRIPTION
1	532 44 79-36	Mower Housing	62	872 11 06-16	Bolt 3/8-16 unc x 2
6	532 19 51-86	Arm Suspension	63	532 19 94-77	Arm Brake Mower
7	532 41 63-58	Screw #10 x 0.750	64	532 19 99-18	Link Brake
8	532 19 30-03	Bolt/Washer Asm. 7/16-20 unf	67	532 40 30-12	Handle Clutch Cable
11	532 13 89-71	Blade Mower 42" Hi Lift Premium (For better wear when mulching)	68	532 42 96-36	V-Belt
13	532 19 28-72	Shaft Assembly, Mandrel	69	872 14 05-05	Bolt
14	532 18 72-81	Housing, Mandrel	70	532 19 99-72	Clutch Asm. Manual
15	532 11 04-85	Bearing, Ball, Mandrel	113	817 00 05-10	Screw 5/16-18
19	532 19 65-39	Bolt, Shoulder	116	532 19 34-06	Bolt Shoulder
20	532 15 97-70	Baffle Vortex	117	532 17 48-73	Wheel Gauge
21	873 68 05-00	Nut, Crownlock 5/16-18 unc	122	532 19 72-58	Keeper Belt Engine LH
23	532 19 25-57	Bracket, Deflector	123	532 19 72-59	Keeper Belt Engine RH
24	532 10 53-04	Cap, Sleeve	144	532 19 92-04	Keeper Belt
25	532 19 70-26	Spring, Torsion, Deflector	145	532 19 31-97	Pulley Idler
26	532 11 04-52	Nut, Push	147	532 40 19-71	Spring Return
27	532 40 30-04	Shield, Deflector	152	584 24 35-01	Manual Clutch Cable
29	532 13 14-91	Rod, Hinge	188	532 19 51-61	Stud Fastener
30	532 17 39-84	Screw Thdrol. Rolling Wsh. Hd.	189	873 90 05-00	Nut Lock Hex Flange
31	532 18 76-90	Washer, Spacer	192	532 19 72-60	Bracket Brake Stand LH
32	532 19 74-73	Pulley, Mandrel	195	817 00 06-12	Screw 3/8-16 x 3/4
33	532 40 02-34	Nut, Toplock, Flanged	196	819 13 20-12	Washer 13/32 x 1-1/4 x 12 Ga.
34	872 11 06-12	Bolt Carr. Sh. 3/8-16 x 1-1/2 Gr. 5	241	532 15 29-27	Screw
36	532 19 73-79	Pulley, Idler, Flat	242	532 41 55-98	Port, Washout
37	819 13 13-16	Washer	--	532 41 64-05	Coupling Quick Connect
38	532 43 25-20	Keeper Belt Mandrel	--	532 19 28-70	Mandrel Assembly (Includes housing, shaft assembly, and bearing only - pulley/nut/washer and blade bolt/washers not included)
40	873 90 06-00	Nut, Lock Flg. 3/8-16 unc	--	532 44 78-93	Replacement Mower, Complete
42	532 19 84-10	Spring Torsion Brake			
43	532 19 72-56	Spring Torsion Retainer			
46	532 13 77-29	Screw 1/4-20 x 5/8			
47	532 19 72-50	Bracket Clutch Cable			
55	532 43 71-10	Arm, Idler			
56	532 19 90-92	Spacer, Retainer			
57	817 00 06-16	Screw 3/8-16 x 1			
59	532 14 10-43	Guard, Tuv. Idler			
60	532 19 72-61	Arm Brake Mower			

NOTE: All component dimensions given in U.S. inches
1 inch = 25.4 mm

**TRACTOR - - MODEL NO. YTH22V42 (96043018600), PRODUCT NO. 960 43 01-86
MOWER LIFT**



lift-tex_17_r3

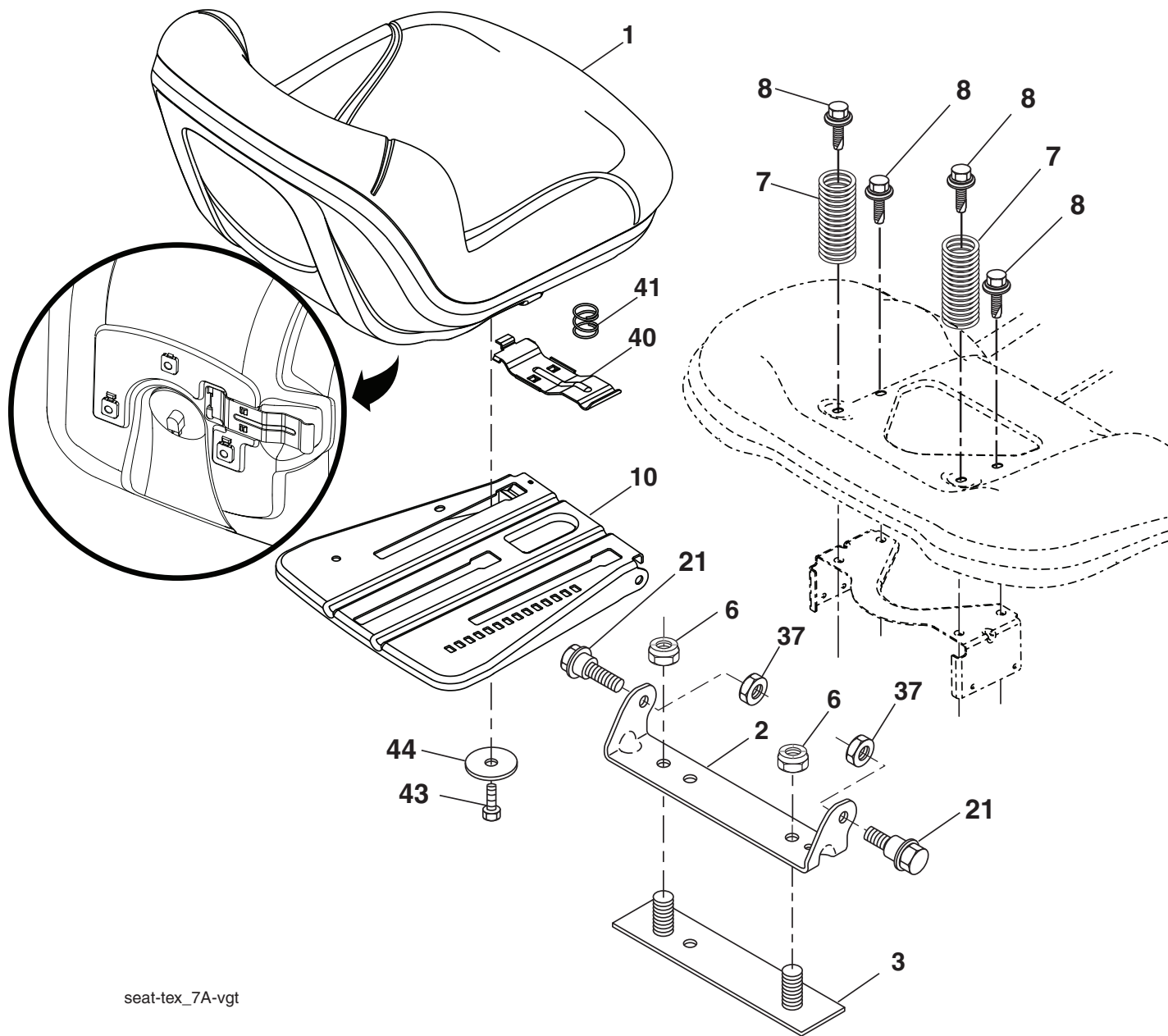
*Key 91 may be substituted for Key 101

KEY NO.	PART NO.	DESCRIPTION
2	532 42 20-27	Shaft Asm. Cross, Lift
3	532 19 52-31	Lever Asm., Lift RH
7	580 96 23-01	Grip, Lever
10	532 19 63-14	Spring Torsion
87	532 19 42-09	Pin Cotter 7/16 Bow Tie Lock
88	532 41 07-10	Spring Lift Assist
89	819 19 19-12	Washer Clear Zinc
90	532 19 42-08	Pin Cotter 5/16 Bow Tie Lock

KEY NO.	PART NO.	DESCRIPTION
91	532 19 51-81	Link Lift Susp. Mower Rear
97	817 00 06-12	Screw 3/8-16 x .75
98	532 19 52-70	Link Lift Susp. Front Mower
100	873 93 06-00	Nut Centerlock 3/8-16
101	532 40 70-03	Link Asm, Lift Fixed

NOTE: All component dimensions given in U.S. inches
1 inch = 25.4 mm

**TRACTOR - - MODEL NO. YTH22V42 (96043018600), PRODUCT NO. 960 43 01-86
SEAT ASSEMBLY**



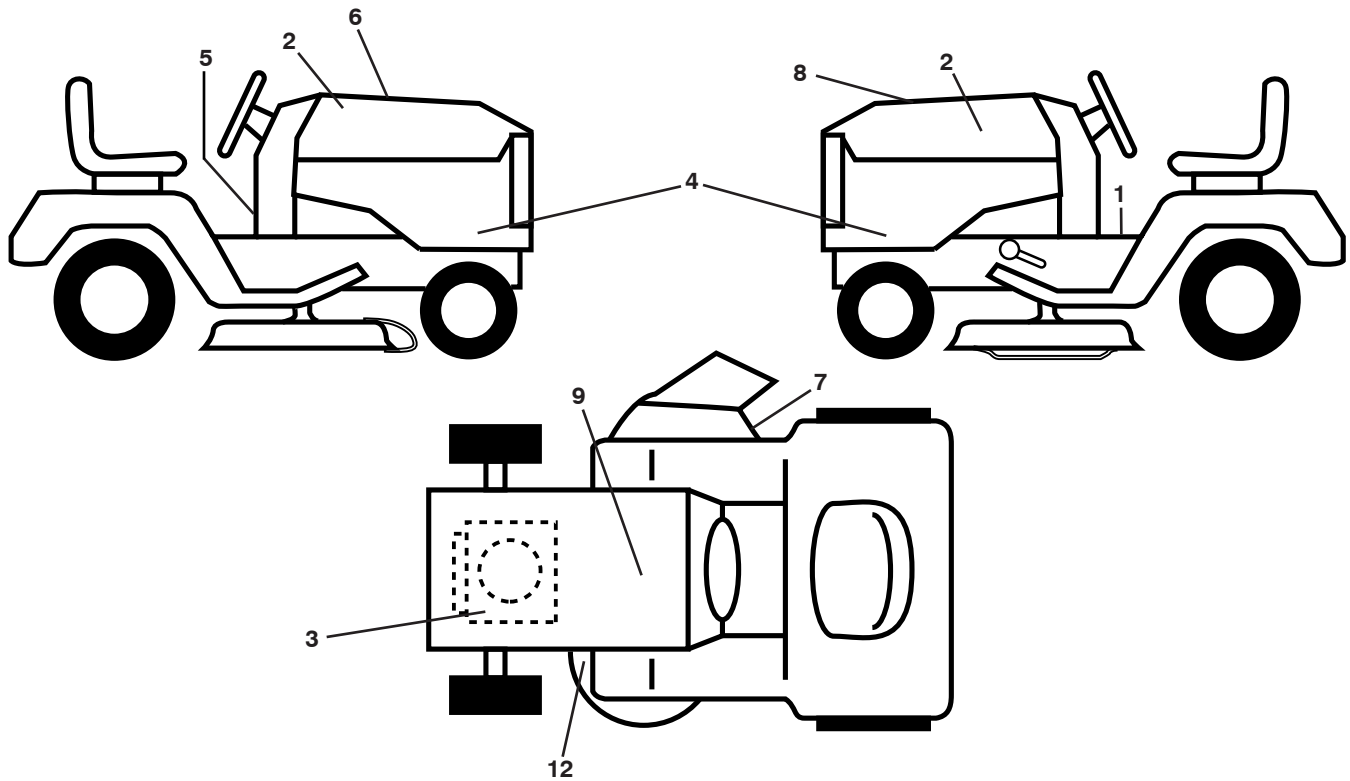
seat-tex_7A-vgt

KEY NO.	PART NO.	DESCRIPTION
1	532 43 98-22	Seat
2	532 18 01-66	Bracket Pivot Fender
3	532 14 06-75	Strap, Asm. Fender
6	873 80 06-00	Nut, Lock w/Ins. 3/8-16 unc
7	532 12 41-81	Spring, Seat Cprsn.
8	532 17 18-77	Bolt 5/16-18 unc x 3/4 w/Sems.
10	532 19 69-77	Pan, Seat
21	532 17 18-52	Bolt, Shoulder 5/16-18

KEY NO.	PART NO.	DESCRIPTION
37	873 80 05-00	Nut, Lock 5/16-18 unc
40	532 43 98-71	Handle Slide
41	532 19 82-00	Spring Latch
43	874 76 06-12	Bolt 3/8-16 unc x 3/4
44	819 13 38-12	Washer 13/32 x 2 3/8 x 12 Ga.

NOTE: All component dimensions given in U.S. inches
1 inch = 25.4 mm

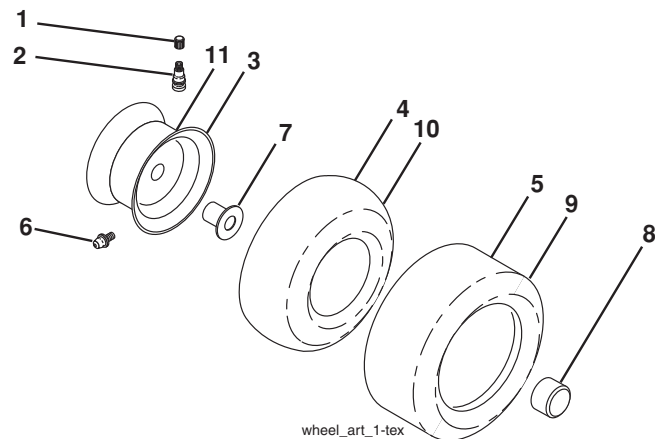
**TRACTOR - - MODEL NO. YTH22V42 (96043018600), PRODUCT NO. 960 43 01-86
DECALS**



KEY NO.	PART NO.	DESCRIPTION
1	581 57 89-01	Decal, Warning
2	581 62 73-01	Emblem
3	581 25 85-01	Decal, Engine
4	532 43 86-64	Decal, Hood Panel
5	532 42 41-02	Decal, Warning
6	585 92 65-01	Decal, Replacement
7	581 57 95-01	Decal, Mower Warning
8	532 42 38-29	Decal, Cust. Resp.

KEY NO.	PART NO.	DESCRIPTION
9	532 14 50-05	Decal, Battery Dan./Poi.
12	581 58 00-01	Decal, Mower V-Belt Schematic
--	532 43 96-81	Pad, Footrest, LH
--	532 43 96-82	Pad, Footrest, RH
--	581 72 48-01	Decal, Bypass
--	115 63 53-96	Manual Operator's (English/Spanish)
--	585 98 74-27	Manual Parts (English/Spanish)

WHEELS AND TIRES

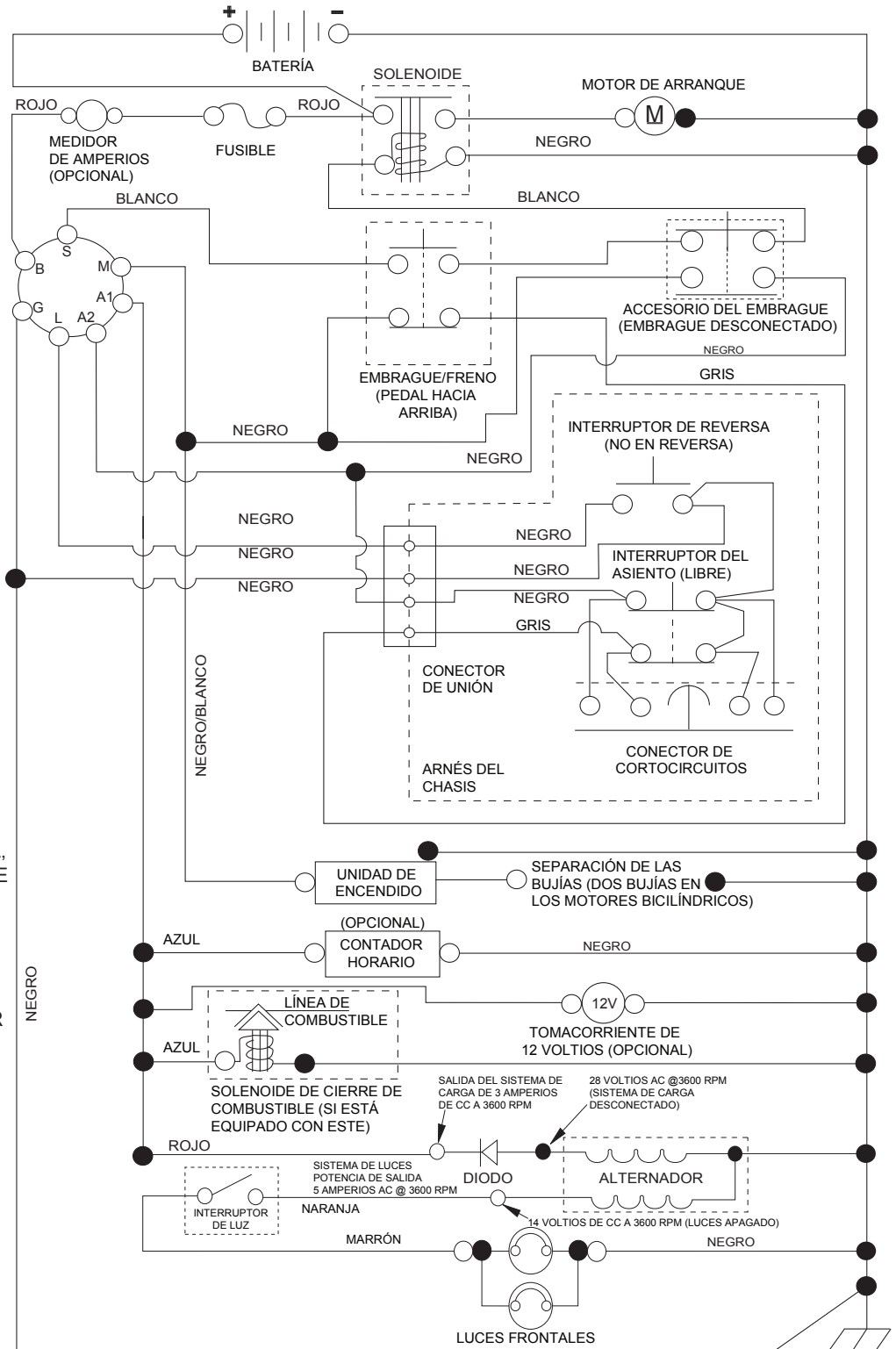


KEY NO.	PART NO.	DESCRIPTION
1	532 05 91-92	Cap Valve Tire
2	532 06 51-39	Stem Valve
3	532 13 83-36	Rim Asm. 6" Front Service
4	532 05 99-04	Tube Front (Service Item Only)
5	532 10 62-22	Tire Front 15 x 6 - 6 Service
6	532 12 49-57	Fitting Grease (Front Wheel Only)
7	532 12 49-59	Bearing Flange (Front Wheel Only)
8	532 17 50-39	Cap Axle Blk. 1 50 x 1 00
9	532 13 84-68	Tire Rear 20 x 8-8 Service
10	532 12 49-26	Tube Rear (Service Item Only)
11	532 13 83-37	Rim Asm. 8" Rear Service
--	532 14 43-34	Sealant, Tire (10 oz. Tube)

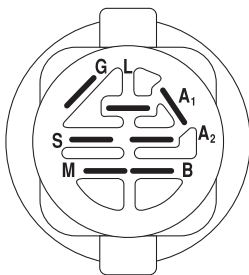
NOTE: All component dimensions given in U.S. inches
1 inch = 25.4 mm

TRACTOR - - MODELO NO. YTH22V42 (96043018600), PRODUCTO NO. 960 43 01-86 DIAGRAMA

SCH11-s

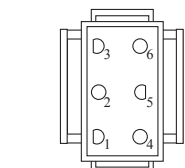


NOTAS:
QUE SU TRACTOR ES EQUIPADO CON UN SISTEMA ESPECIAL DE ALTERNADOR. LAS LUCES NO SON CONECTADAS A LA BATERIA, PERO TIENEN SU PROPIA FUENTE ELECTRICA. A CAUSA DE ESTO, EL BRILLO DE LAS LUCES CAMBIARA CON LA VELOCIDAD DE MOTOR. EN LENTO, LAS LUCES NO SON COMO BRILLANTES. CUANDO EL MOTOR ES ACELERADO, LA LUZ CONSEGUIRÁ MÁS BRILLANTE.

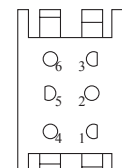


INTERRUPTOR DE ENCENDIDO

POSICIÓN	CIRCUITO «MARCA»
APAGADO	M+G+A1
PONER EN FUNCIONAMIENTO/ANULAR	B+A1
PONER EN FUNCIONAMIENTO	B+A1 L+A2
ARRANCAR	B + S + A1



CONEXIÓN DEL ARNÉS DEL CHASIS (LATERAL QUE COINCIDA)



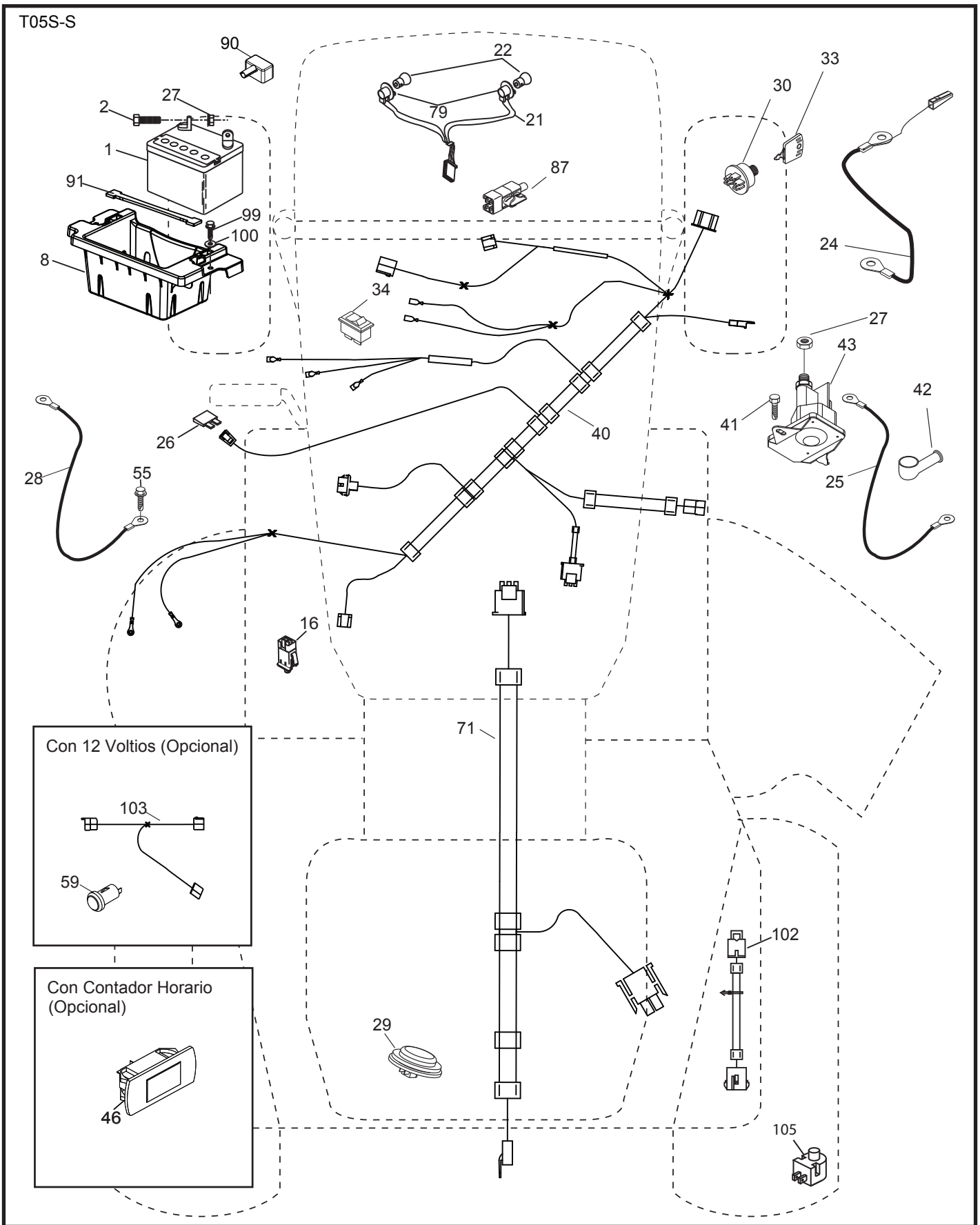
CONEXIÓN PARA EL ARNÉS DEL TABLERO (LATERAL QUE COINCIDA)

NOTA SOBRE LAS ABRAZADERAS DE AISLAMIENTO DEL CABLEADO: SI SE QUITAN LAS ABRAZADERAS DE AISLAMIENTO DEL CABLEADO PARA HACER EL MANTENIMIENTO DE LA UNIDAD, SE LAS DEBERÁ INSTALAR NUEVAMENTE PARA PROTEGER EL CABLEADO ADECUADAMENTE.

● CONEXIONES NO DESMONTABLES

○ CONEXIONES DESMONTABLES

TRACTOR -- MODELO NO. YTH22V42 (96043018600), PRODUCTO NO. 960 43 01-86
DIAGRAMA ELÉCTRICO



**TRACTOR - - MODELO NO. YTH22V42 (96043018600), PRODUCTO NO. 960 43 01-86
DIAGRAMA ELÉCTRICO**

CÓDIGO No.	PIEZA No.	DESCRIPCIÓN
1	532 16 34-65	Batería
2	874 76 04-12	Perno de cabeza hexagonal de 1/4-20 x 3/4
8	532 41 41-26	Caja de la batería
16	532 17 61-38	Interruptor corta corriente a presión
21	532 40 02-52	Cableado del enchufe para la luz c/4152J
22	532 00 41-52	Bombilla de luz
24	532 40 02-53	cable de batería
25	585 55 55-01	Cable
26	532 17 51-58	Fusible
27	873 51 04-00	Tuerca hexagonal Keps de 1/4-20 unc
28	532 14 54-91	Cable a tierra
29	532 40 15-45	Interruptor del asiento
30	532 19 33-50	Interruptor de encendido
33	532 41 19-33	Llave/cadena
34	532 11 07-12	Interruptor de luz/de restauración
40	532 40 10-98	Cableado del tablero de encendido
41	817 72 04-08	Tornillo de 1/4-20 x 1/2
42	532 13 15-63	Cubierta de la terminal
43	532 19 25-07	Solenoides
46	532 40 17-63	Indicador Srv. Mndr. Hr. Mtr.
55	817 06 05-12	Tornillo de 5/16-18 x 3/4 TYTT
71	532 19 42-76	Cableado de encendido
79	532 17 52-42	Enchufe la asamblea
87	532 19 78-02	Interruptor corta corriente del cable de embrague
90	532 43 53-95	Tapa de los bornes de la batería
91	532 19 02-70	Correa de batería
99	817 67 04-12	Tornillo de 1/4-20 x 3/4
100	819 09 14-16	Arandela de 9/32 x 7/8 x calibre 16
102	532 40 44-54	Arnés
105	532 40 75-68	Interruptor

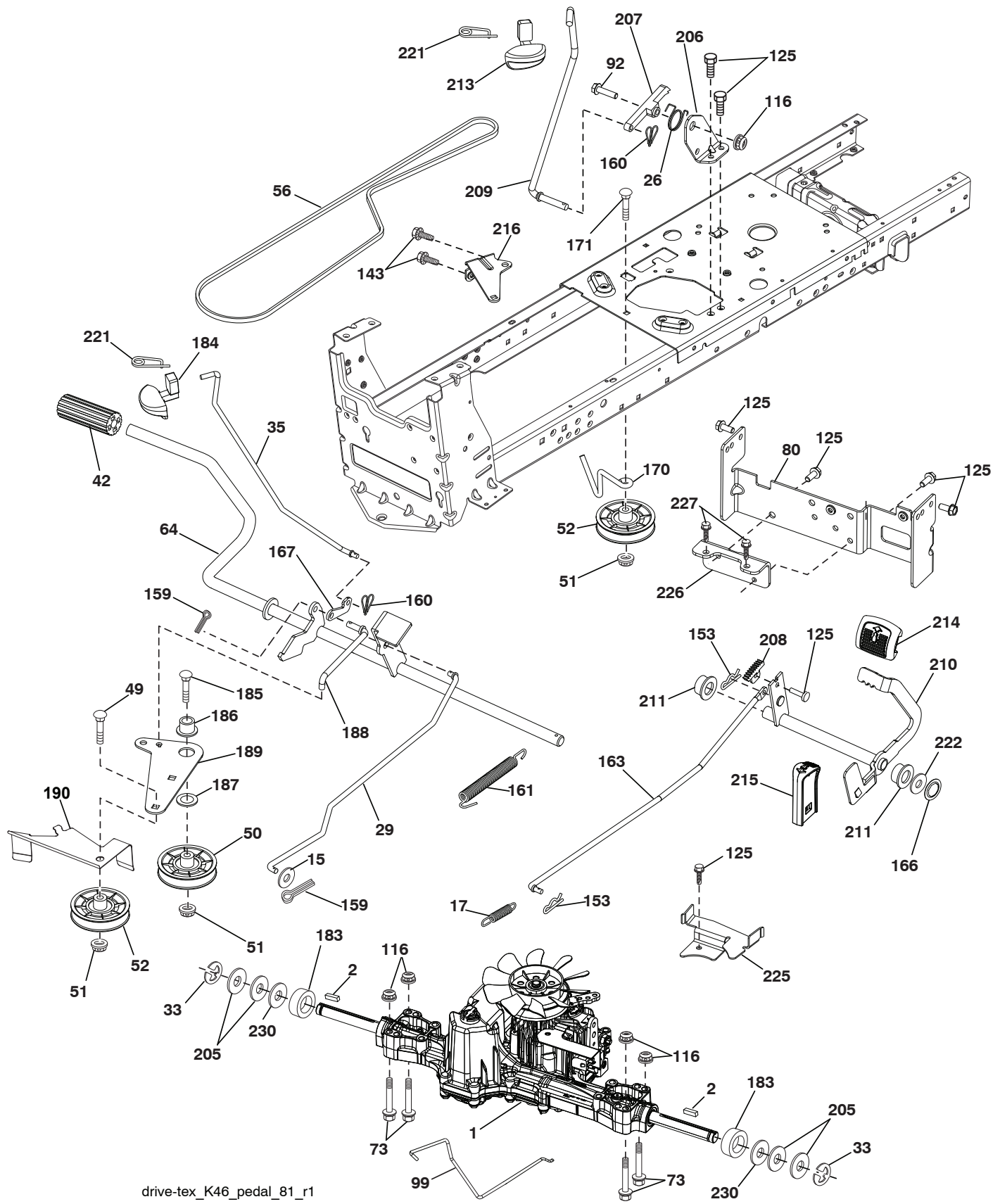
NOTA: Las dimensiones de todos los componentes están expresadas en pulgadas americanas. 1 pulgada = 25,4 mm

**TRACTOR - - MODELO NO. YTH22V42 (96043018600), PRODUCTO NO. 960 43 01-86
CHASIS**

CÓDIGO PIEZA			CÓDIGO PIEZA		
No.	No.	DESCRIPCIÓN	No.	No.	DESCRIPCIÓN
3	532 43 97-52	Logo	195	532 40 41-37	Tapón
5	581 46 69-01	Tablero	196	532 43 96-47	Ensamble de la consola de la plataforma de elevación
14	532 44 11-77	Capota	202	532 43 97-28	Salida de Ventilación (LD)
15	532 43 97-33	Lente izquierdo de la parrilla	203	532 43 97-27	Salida de Ventilación (LI)
18	532 44 06-53	Parrilla	204	532 43 57-14	Salida de Ventilación superior
25	532 44 33-85	Lente derecho de la parrilla	205	532 43 97-30	Camisa de Capota (LD)
34	580 91 08-01	Chapa Motor	206	532 43 97-29	Camisa de Capota (LI)
36	817 06 05-12	Tornillo de 5/16-18 x 3/4	207	532 43 97-34	Bisel derecho
37	532 44 12-69	Guardabarros	208	532 43 97-35	Bisel izquierdo
52	873 68 05-00	Tuerca de presión 5/16	213	874 76 05-12	Perno 5/16-18 x 3/4
68	817 49 05-08	Tornillo de 5/16-18 x 1/2	214	532 19 91-45	Cierre
125	581 68 48-01	Cierre	217	532 40 91-67	Varilla giratoria de Capota
130	532 41 63-58	Tornillo No. 10 x 0,75	218	532 19 63-95	Tope
138	532 43 97-47	Portavasos	228	532 19 51-61	Sujetador del travesaño
137	532 40 75-90	Cubierta Tablero	234	532 40 47-42	Cubierta Capota
146	581 85 79-01	Perno	235	532 40 61-29	Separador del guardabarros
150	532 43 97-74	Cubierta térmica del conducto	236	873 93 05-00	Tuerca de presión 5/16-18 unc
151	532 43 66-70	Soporte	287	817 60 04-06	Tornillo de 1/4-20 x 3/8
152	532 43 98-70	Protector contra oscurecimiento	297	532 43 74-56	Parrilla reflector (LI)
159	817 00 06-12	Tornillo de 3/8-16 x 3/4	306	873 90 06-00	Tuerca
161	532 43 97-81	Ventana de Combustible	335	532 44 82-04	Cubierta del tablero inferior (LD)
162	532 14 24-32	Tornillo	336	532 44 53-09	Cubierta del tablero inferior (LI)
175	532 19 63-04	Travesaño	350	532 44 51-43	Clip del árbol de navidad
177	532 19 52-27	Buje de dirección			
180	532 19 54-57	Chasis			
181	532 43 97-46	Buje			
182	532 40 68-59	Tablero inferior			
183	874 52 05-20	Perno 5/16-18 x 1-1/4			
191	532 43 74-55	Parrilla reflector (LD)			
194	873 90 05-00	Tuerca de presión de 5/16-18			

NOTA: Las dimensiones de todos los componentes están expresadas en pulgadas americanas. 1 pulgada = 25,4 mm

TRACTOR - - MODELO NO. YTH22V42 (96043018600), PRODUCTO NO. 960 43 01-86
TRANSMISIÓN

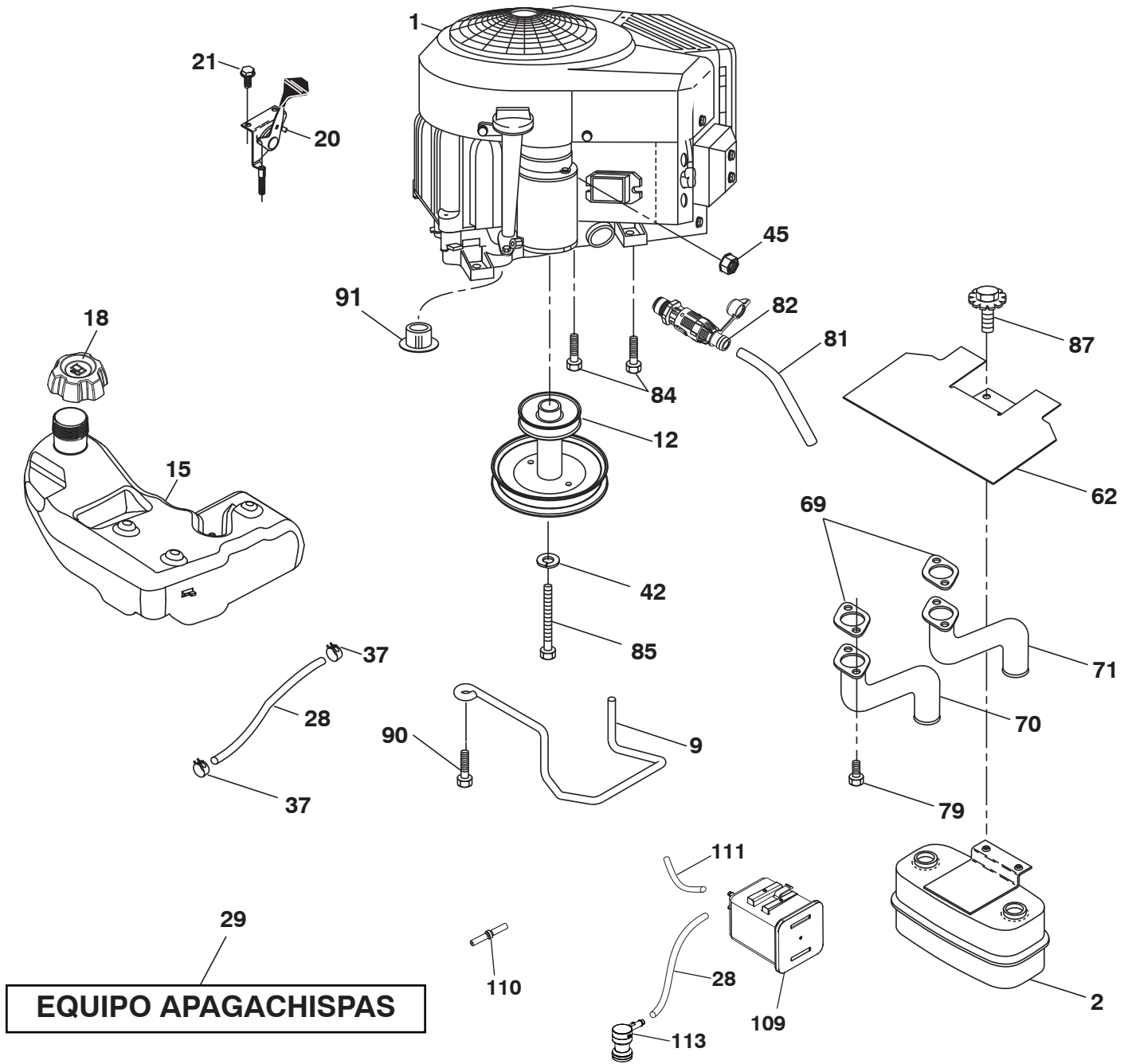


TRACTOR - - MODELO NO. YTH22V42 (96043018600), PRODUCTO NO. 960 43 01-86 TRANSMISIÓN

CÓDIGO No.	PIEZA No.	DESCRIPCIÓN	CÓDIGO No.	PIEZA No.	DESCRIPCIÓN
1	---	Transeje, TUFFTORQ K46 BT (426120) (Haga el pedido de las piezas al fabricante del transeje.)	183	532 13 70-57	Separador
2	532 12 35-83	Cuña	184	532 44 14-55	Manija del freno de mano
15	819 13 13-16	Arandela de 13/32 x 13/16 x calibre16	185	872 11 06-22	Perno de 3/8-16 x 2-3/4 grado 5
17	532 41 36-78	Resorte de freno	186	532 19 43-21	Espaciador de retención
26	532 19 96-79	Crucero con retorno de muelle	187	819 13 32-10	Arandela
29	532 40 38-06	Varilla del freno	188	532 19 43-23	Mecanismo de desplazamiento de la varilla de mando del embrague
33	812 00 00-01	Aro "E"	189	532 19 43-17	Palanca acodada del mecanismo de desplazamiento
35	583 86 45-01	Varilla del freno de mano	190	532 19 43-18	Sujetador de la palanca acodada del mecanismo de desplazamiento
42	532 12 48-72	Cubierta del pedal	205	532 12 17-48	Arandela
49	872 11 06-14	Perno	206	532 44 85-96	Soporte de montaje del bloqueo del crucero
50	532 19 43-27	Polea loca plana	207	532 19 78-68	Bloqueo del control del crucero
51	873 90 06-00	Tuerca de presión de 3/8-16	208	532 19 78-69	Engranaje del sector de control del crucero
52	532 19 43-26	Polea loca con ranura en V con un desplazamiento	209	532 19 95-92	Varilla de control del crucero
56	532 13 09-69	Correa trapezoidal de la transmisión	210	532 40 09-80	Ensamble del balancín del control del pedal
64	532 19 78-65	Ensamble del eje Control del pedal de freno	211	532 12 01-83	Rodamiento de nylon
73	874 49 05-40	Perno de 5/16-18 x 2-1/2 Gr. 5	213	532 40 31-19	Perilla de control del crucero
80	532 44 06-19	Correa de torsión	214	532 42 12-63	Forro del pedal para avanzar
92	874 76 05-20	Perno de 5/16-18 x 1.25	215	532 40 17-23	Forro del pedal para retroceder
99	532 41 57-42	Varilla del ensamble con de desviación	216	532 19 61-31	Soporte del Polea
116	873 90 05-00	Tuerca de presión hexagonal con brida de 5/16-18	221	532 40 31-87	Abrazadera de retención del resorte de la manija
125	817 00 05-12	Tornillo de 5/16-18 x 3/4	222	879 21 20-10	Arandela de 21/32 x 1-1/4 calibre 10
143	817 49 05-08	Tornillo de 5/16-18 x 1/2	225	532 40 33-19	Sujetador de la correa
153	532 12 47-88	Retén del resorte	226	532 40 15-64	Soporte de montaje
159	876 02 04-12	Pasador de chaveta de 1/8 x 3/4	227	817 49 05-12	Tornillo de 5/16-18 x 3/4
160	532 16 94-84	Abrazadera de retención	230	532 18 89-67	Arandela endurecida
161	532 10 57-09	Resorte de retorno del embrague			
163	532 44 82-75	Varilla de control del pedal			
166	532 42 91-64	Tuerca de presión			
167	532 40 52-57	Pestillo del freno de mano			
170	532 19 43-22	Sujetador de la correa central			
171	872 11 06-16	Perno de 3/8-16 unc x 2			

NOTA: Las dimensiones de todos los componentes están expresadas en pulgadas americanas. 1 pulgada = 25,4 mm

TRACTOR - - MODELO NO. YTH22V42 (96043018600), PRODUCTO NO. 960 43 01-86
MOTOR



engine-tex_bs-2cyl_45_r1

TRACTOR - - MODELO NO. YTH22V42 (96043018600), PRODUCTO NO. 960 43 01-86 MOTOR

CÓDIGO No.	PIEZA No.	DESCRIPCIÓN
1	— — — — —	Motor Briggs Modelo No. 44R677-0014-G1 (585925901) (Haga el pedido de las piezas al fabricante del motor.)
2	532 44 59-62	Silenciador
9	584 90 80-01	Ensamble del sujetador de la correa del motor
12	532 40 54-71	Polea del motor
15	532 42 07-22	Tanque de combustible
18	532 43 92-08	Ensamble de la tapa
20	532 42 35-02	Control del regulador
21	532 41 63-58	Tornillo No.10 x 0.750
28	532 40 11-35	Línea de combustible
29	532 13 71-80	Equipo apagachispas
37	532 12 34-87	Abrazadera de la manguera
42	810 04 07-00	Perno de 5/16-18 unc x 3/4
45	873 51 04-00	Tuerca Keps de 1/4-20 unc
62	532 43 40-17	Silenciador con pantalla térmica
69	532 16 53-91	Junta
70	581 88 11-01	Tubo de escape derecho
71	581 88 10-01	Tubo de escape izquierdo
79	532 18 39-06	Tornillo de 5/16-18 x 1
81	532 14 84-56	Tubo de fácil drenaje de aceite
82	532 42 82-87	Válvula de fácil drenaje de aceite
84	817 06 06-20	Tornillo de 3/8-16 x 1-1/4
85	532 17 39-37	Perno de 7/16-20 x 4 Gr. 5
87	532 17 18-77	Perno de 5/16-18 unc x 3/4 w/Sems.
90	817 00 06-16	Tornillo de 3/8-16 x 1
91	532 18 74-95	Buje
109	532 41 41-14	Bote Ensamble de filtro de carbón
110	532 41 41-18	Válvula
111	532 41 41-19	Purgue línea
113	532 41 41-27	Válvula

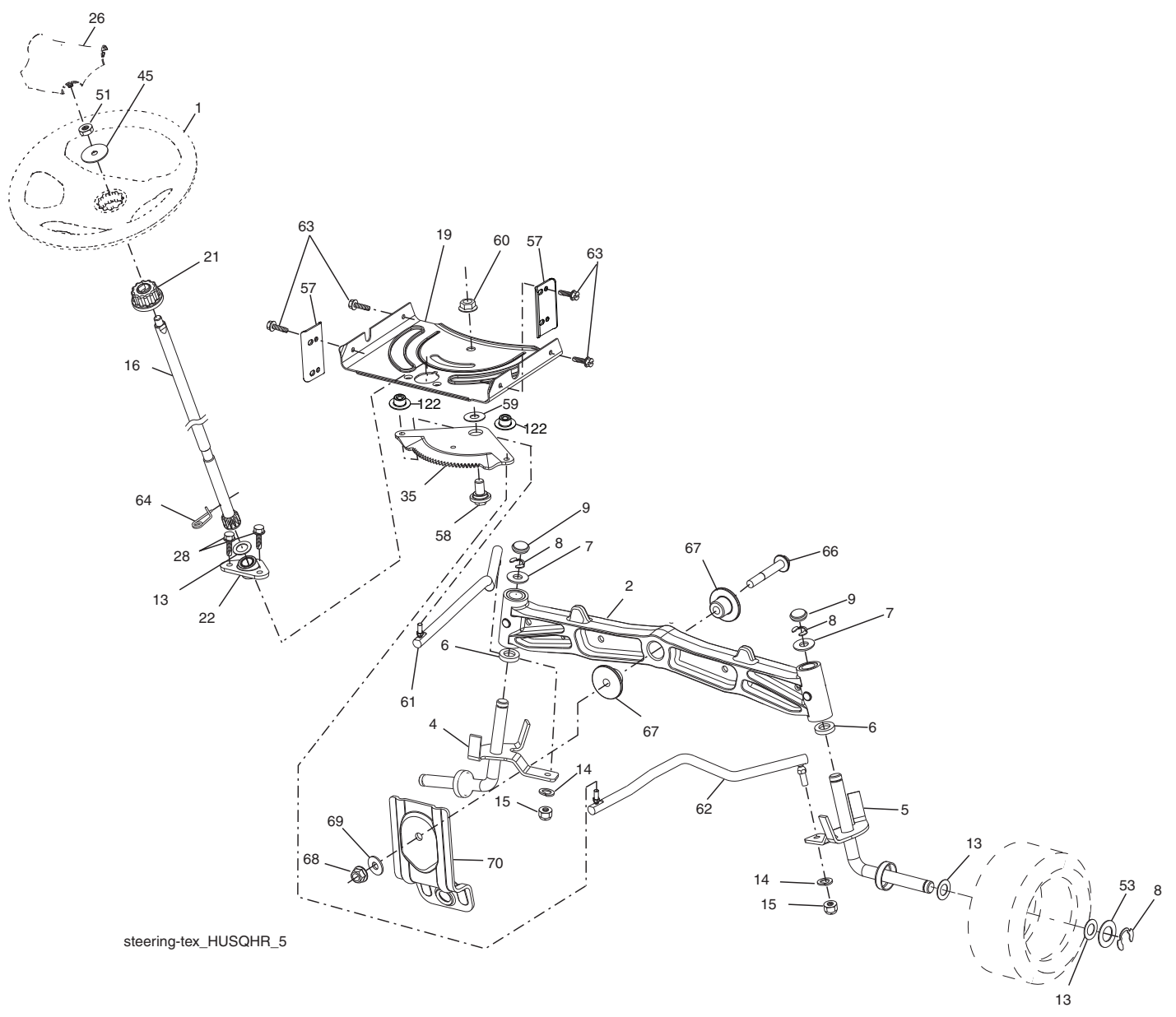
NOTA: Las dimensiones de todos los componentes están expresadas en pulgadas americanas. 1 pulgada = 25,4 mm

Para el servicio de motor y repuestos, llame el número de llamada gratuita para su fabricante de motor listó abajo:
Briggs & Stratton 1-800-233-3723

Información de Clasificación de Potencia del Motor

La clasificación de potencia para un modelo de motor a gas en particular se designa de acuerdo al código J1940 de SAE (Sociedad de Ingenieros Automotrices) (Procedimiento de Clasificación de Potencia & Torque del Motor Pequeño), y la clasificación de desempeño ha sido obtenida y corregida de acuerdo con el código J1995 de SAE (Revisión 2002-05). Los valores de torque se obtienen a 3060 RPM; los valores de potencia se obtienen a 3600 RPM. La potencia bruta actual del motor será inferior y está afectada, entre otras cosas, por las condiciones ambientales operativas y la variabilidad de motor a motor. Dado ambos un amplio conjunto de productos en los cuales son puestos nuestros motores, y la variedad de emisiones ambientales aplicables al operar el equipo, el motor a gas no desarrollará la potencia nominal cuando sea usado en una parte del equipo acoplado (potencia real "en el-sitio" o potencia neta). Esta diferencia se debe a una variedad de factores que incluyen, pero que no están limitados a, accesorios (filtro de aire, sistema de escape, sistema de carga, sistema de enfriamiento, carburador, bomba de combustible, etc.) limitaciones de la aplicación, condiciones ambientales de operación (temperatura, humedad, altitud), y la variabilidad de motor a motor. Debido a las limitaciones, Briggs & Stratton puede sustituir este motor con clasificación de potencia más alta por esta serie de motor.

TRACTOR - - MODELO NO. YTH22V42 (96043018600), PRODUCTO NO. 960 43 01-86
ENSAMBLE DE LA DIRECCIÓN



steering-tex_HUSQHR_5

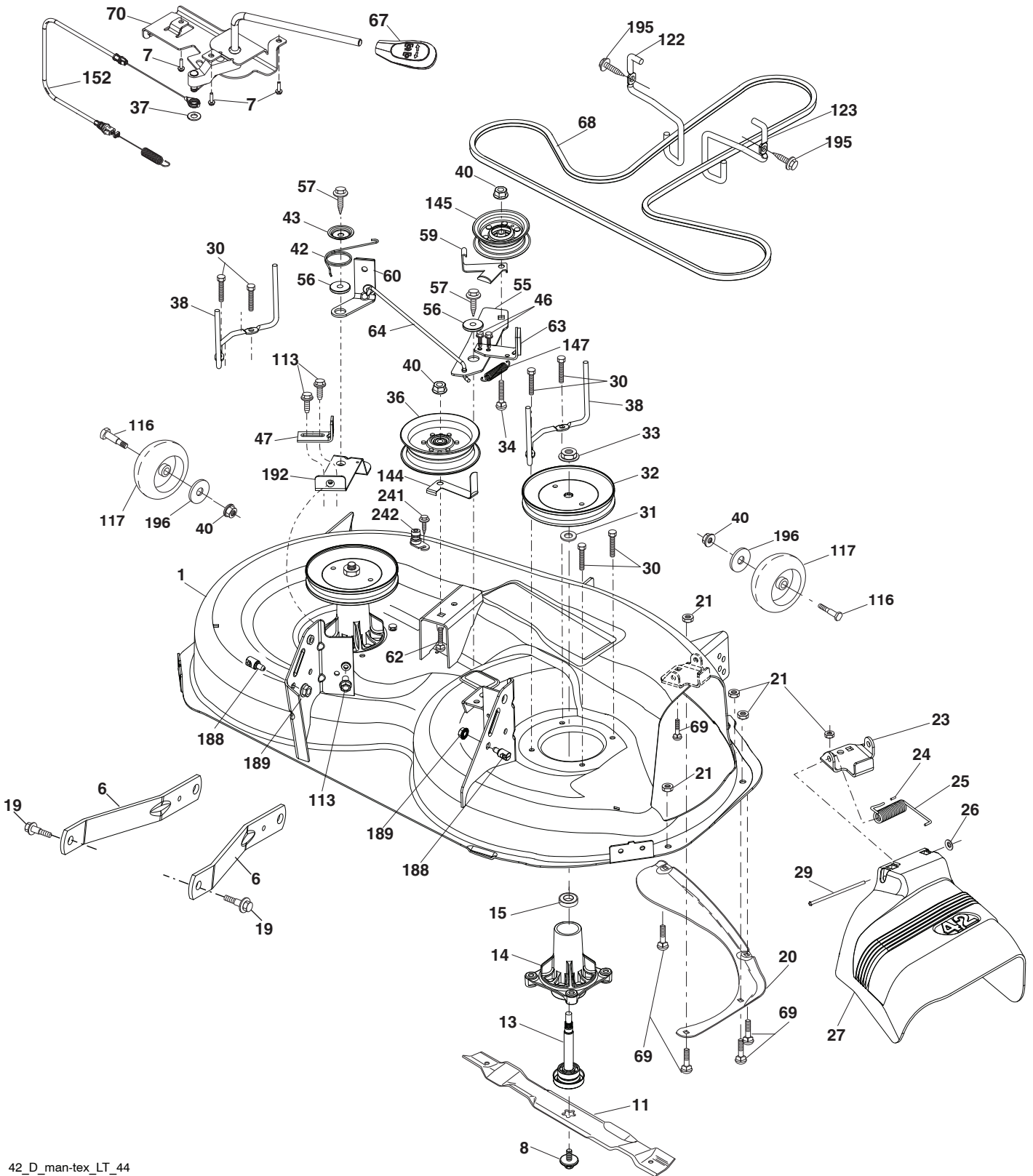
**TRACTOR - - MODELO NO. YTH22V42 (96043018600), PRODUCTO NO. 960 43 01-86
ENSAMBLE DE LA DIRECCIÓN**

CÓDIGO PIEZA		DESCRIPCIÓN
No.	No.	
1	532 43 97-40	Volante de dirección
2	532 19 59-68	Ensamble del eje delantero
4	532 40 30-87	Ensamble del husillo izquierdo
5	532 40 30-88	Ensamble del husillo derecho
6	532 12 49-31	Pista del rodamiento para reforzar el impulso
7	532 12 17-48	Arandela de 25/32 x 1-5/8 x calibre 16
8	812 00 00-29	Abrazadera del aro No.T5304-75
9	532 12 12-32	Tapa del husillo
13	532 12 17-49	Arandela de 25/32 x 1-1/4 x calibre 16
14	810 04 06-00	Arandela de presión de 3/8
15	873 54 06-00	Tuerca corona de presión de 3/8-24 unf
16	532 40 82-19	Eje de dirección
19	532 19 47-29	Placa de dirección
21	532 18 67-37	Adaptador del volante de dirección
22	532 42 05-37	Soporte de dirección
26	532 43 97-43	Inserto del volante de dirección
28	817 00 06-12	Tornillo de 3/8-16 x 3/4
35	532 19 47-32	Engranaje del sector de la placa
45	819 18 38-12	Arandela de 9/16 x 2-3/8 calibre 12
51	873 94 08-00	Contratuerca hexagonal de seguridad de 1/2-20 unf
53	532 18 89-67	Arandela reforzada
57	532 40 74-65	Tope superior del soporte
58	532 19 47-47	Perno de tope del sector del pivote CFM
59	532 19 47-48	Arandela de empuje del sector de dirección
60	873 97 10-00	Tuerca de presión con brida de 5/8-11
61	532 19 47-40	Barra de acoplamiento izquierda
62	532 19 47-41	Barra de acoplamiento derecha
63	817 00 05-12	Tornillo de 5/16-18 x 3/4
64	532 19 98-49	Abrazadera de retención del resorte de la dirección
66	871 02 07-48	Perno de cabeza hexagonal con brida acanalada de 7/16-14 x 3
67	532 19 47-37	Buje PM del eje delantero
68	873 90 07-00	Tuerca de presión con brida de 7/16-14 grado 5
69	532 19 91-62	Arandela de 1.5 x .505 x .118
70	532 19 61-97	Soporte de la plataforma delantera
122	532 44 49-62	Tapón de extremo

NOTA: Las dimensiones de todos los componentes están expresadas en pulgadas americanas. 1 pulgada = 25,4 mm

TRACTOR - - MODELO NO. YTH22V42 (96043018600), PRODUCTO NO. 960 43 01-86

PLATAFORMA DE LA CORTADORA DE CÉSPED

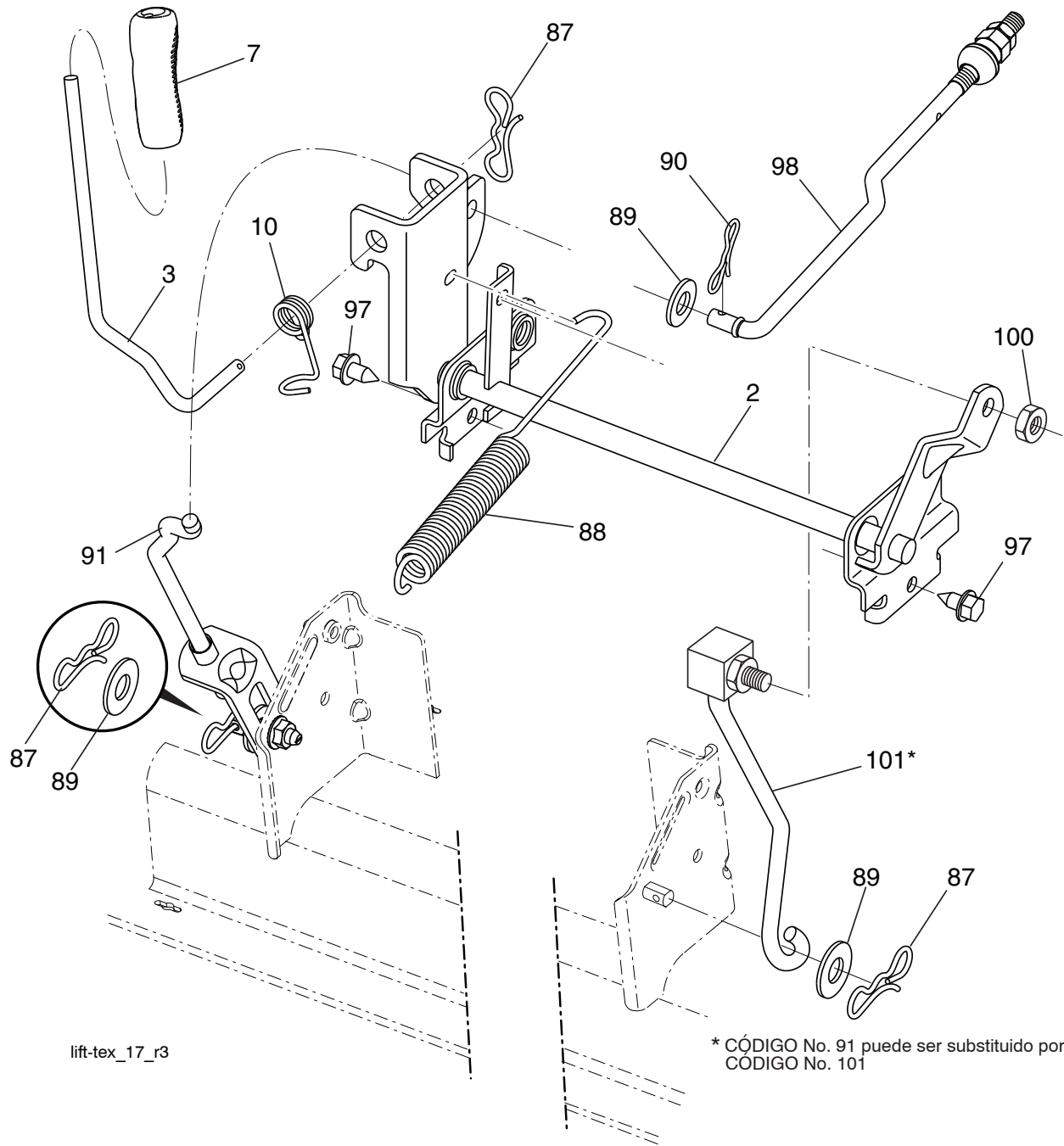


**TRACTOR - - MODELO NO. YTH22V42 (96043018600), PRODUCTO NO. 960 43 01-86
PLATAFORMA DE LA CORTADORA DE CÉSPED**

CÓDIGO No.	PIEZA No.	DESCRIPCIÓN	CÓDIGO No.	PIEZA No.	DESCRIPCIÓN
1	532 44 79-36	Carcasa de la cortadora de césped	63	532 19 94-77	Brazo del freno de la cortadora de césped
6	532 19 51-86	Brazo de la suspensión	64	532 19 99-18	Varillaje del freno
7	532 41 63-58	Tornillo No.10 x 0.750	67	532 40 30-12	Manija del cable de embrague
8	532 19 30-03	Perno/arandela del ensamble de 7/16-20 unf	68	532 42 96-36	Correa trapezoidal
11	532 13 89-71	Cuchilla de la cortadora de césped 42" prima	69	872 14 05-05	Perno
13	532 19 28-72	Ensamble del eje del mandril	70	532 19 99-72	Ensamble del embrague Manual
14	532 18 72-81	Carcasa del mandril	113	817 00 05-10	Tornillo de 5/16-18
15	532 11 04-85	Rodamiento de bolas del mandril	116	532 19 34-06	Perno de tope
19	532 19 65-39	Perno de tope	117	532 17 48-73	Calibrador de la rueda
20	532 15 97-70	Deflector	122	532 19 72-58	Sujetador izquierdo de la correa del motor
21	873 68 05-00	Tuerca de 5/16-18 unc	123	532 19 72-59	Sujetador derecho de la correa del motor
23	532 19 25-57	Soporte	144	532 19 92-04	Sujetador de la correa
24	532 10 53-04	Tapa de la manga	145	532 19 31-97	Polea loca
25	532 19 70-26	Resorte de torsión del deflector	147	532 40 19-71	Retorno del resorte
26	532 11 04-52	Tuerca de presión	152	584 24 35-01	Cable de embrague manual
27	532 40 30-04	Protector del deflector	188	532 19 51-61	Sujetador del travesaño
29	532 13 14-91	Varilla de la bisagra	189	873 90 05-00	Tuerca de presión hexagonal con brida
30	532 17 39-84	Tornillo con cabeza de arandela	192	532 19 72-60	Soporte
31	532 18 76-90	Arandela del separador	195	817 00 06-12	Tornillo de 3/8-16 x 3/4
32	532 19 74-73	Polea del mandril	196	819 13 20-12	Arandela de 13/32 x 1-1/4 x calibre 12
33	532 40 02-34	Tuerca de seguridad con brida	241	532 15 29-27	Tornillo
34	872 11 06-12	Perno de cabeza de hongo y cuello cuadrado de 3/8-16 x 1-1/2 grado 5	242	532 41 55-98	Puerto De Lavado De La Cubierta
36	532 19 73-79	Polea loca	- -	532 41 64-05	Accesorio del conexión
37	819 13 13-16	Arandela	- -	532 19 28-70	Ensamble del Mandril (solo incluye la carcasa, el ensamble del eje y el rodamiento; no incluye la polea/tuerca/arandela ni los pernos/arandelas de la cuchilla)
38	532 43 25-20	Sujetador de la correa del mandril	- -	532 44 78-93	Reemplazo de la cortadora de césped, completa
40	873 90 06-00	Tuerca de presión con brida de 3/8-16 unc			
42	532 19 84-10	Resorte de torsión del freno			
43	532 19 72-56	Resorte de torsión de retención			
46	532 13 77-29	Tornillo de 1/4-20 x 5/8			
47	532 19 72-50	Soporte del cable de embrague			
55	532 43 71-10	Brazo de la polea			
56	532 19 90-92	Espaciador de retención			
57	817 00 06-16	Tornillo de 3/8-16 x 1			
59	532 14 10-43	Dispositivo de protección de la polea			
60	532 19 72-61	Brazo del freno de la cortadora de césped			
62	872 11 06-16	Perno de 3/8-16 unc x 2			

NOTA: Las dimensiones de todos los componentes están expresadas en pulgadas americanas. 1 pulgada = 25,4 mm

**TRACTOR - - MODELO NO. YTH22V42 (96043018600), PRODUCTO NO. 960 43 01-86
ELEVACIÓN DE LA CORTADORA DE CÉSPED**



lift-tex_17_r3

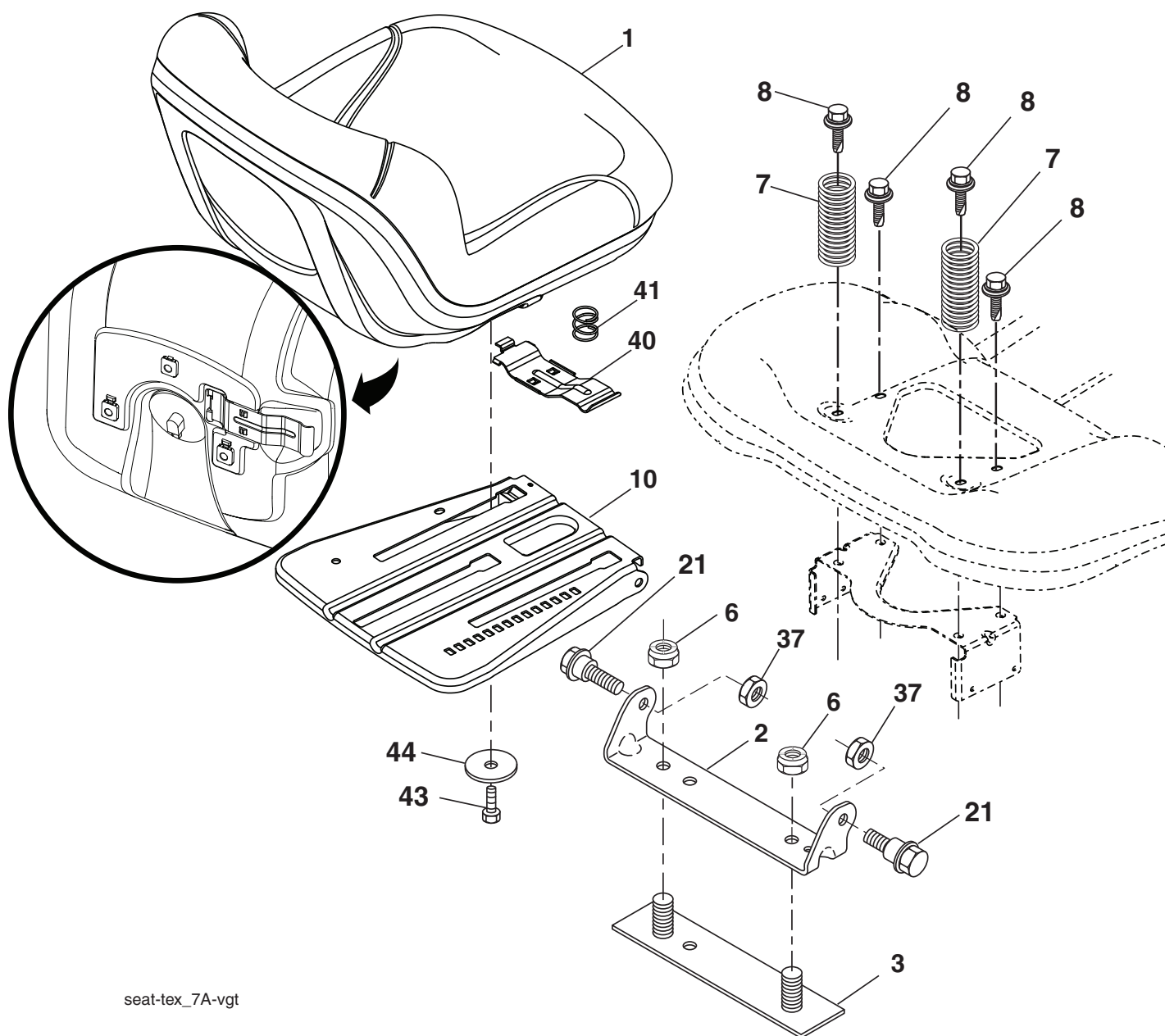
* CÓDIGO No. 91 puede ser substituido por
CÓDIGO No. 101

CÓDIGO No.	PIEZA No.	DESCRIPCIÓN
2	532 42 20-27	Ensamble del eje de la elevación
3	532 19 52-31	Ensamble de la palanca de elevación derecha
7	580 96 23-01	Mango de la palanca
10	532 19 63-14	Resorte de torsión
87	532 19 42-09	Pasador de chaveta de 7/16 con bloqueo en forma de mariposa
88	532 41 07-10	Resorte de ayuda de la elevación
89	819 19 19-12	Arandela de zinc transparente
90	532 19 42-08	Pasador de chaveta de 5/16 con bloqueo en forma de mariposa

CÓDIGO No.	PIEZA No.	DESCRIPCIÓN
91	532 19 51-81	Ensamble del acoplamiento Elevación trasera
97	817 00 06-12	Tornillo de 3/8-16 x .75
98	532 19 52-70	Acoplamiento frontal de la elevación de la cortadora de césped
100	873 93 06-00	Tuerca de presión central de 3/8-16
101	532 40 70-03	Levante la asamblea de lazo

NOTA: Las dimensiones de todos los componentes están expresadas en pulgadas americanas. 1 pulgada = 25,4 mm

**TRACTOR - - MODELO NO. YTH22V42 (96043018600), PRODUCTO NO. 960 43 01-86
ENSAMBLE DEL ASIENTO**



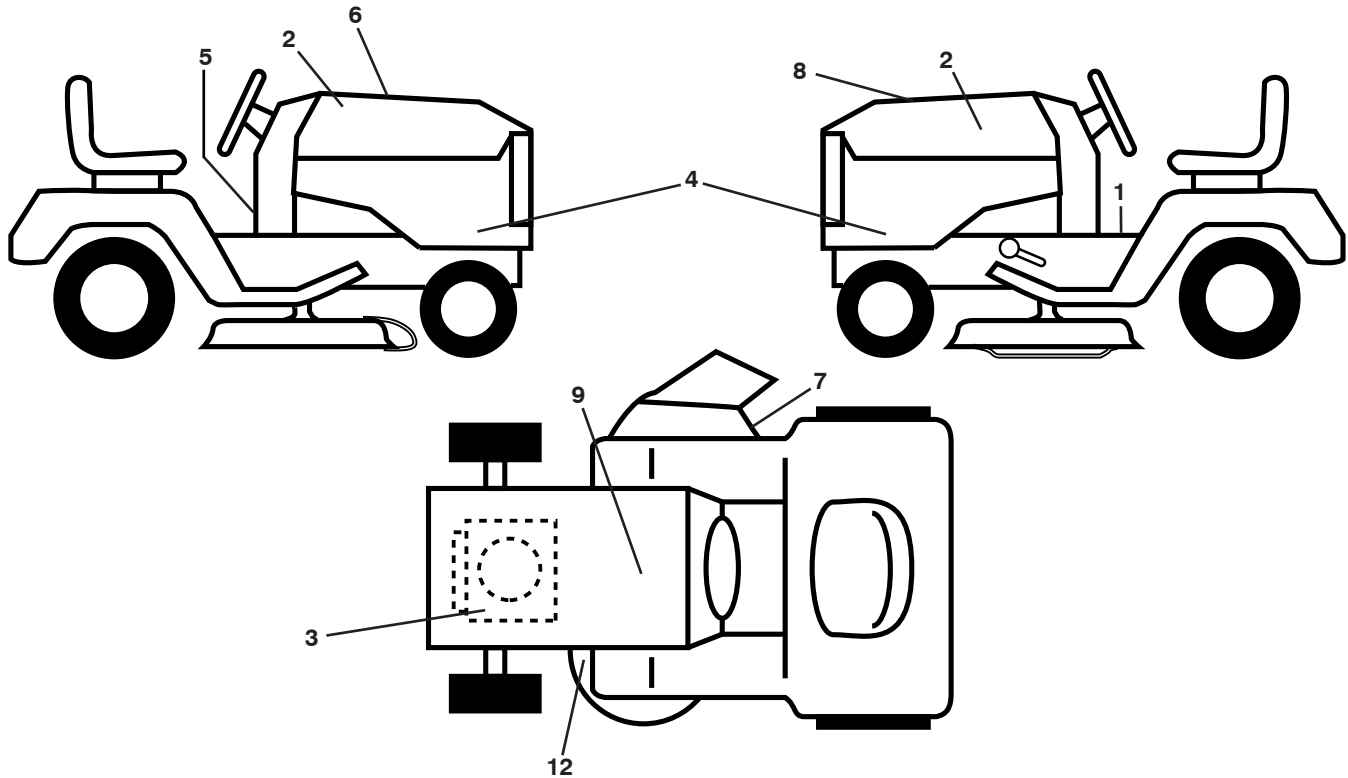
seat-tex_7A-vgt

CÓDIGO No.	PIEZA No.	DESCRIPCIÓN
1	532 43 98-22	Asiento
2	532 18 01-66	Soporte pivotante del guardabarros
3	532 14 06-75	Conector del ensamble del guardabarros
6	873 80 06-00	Tuerca de presión c/aislamiento de 3/8-16 unc
7	532 12 41-81	Resorte del asiento
8	532 17 18-77	Perno de 5/16" unc x 3/4"
10	532 19 69-77	Bandeja del asiento
21	532 17 18-52	Perno de tope de 5/16-18

CÓDIGO No.	PIEZA No.	DESCRIPCIÓN
37	873 80 05-00	Tuerca de presión de 5/16-18 unc
40	532 43 98-71	Manija para deslizar el asiento
41	532 19 82-00	Resorte para trabar el asiento
43	874 76 06-12	Perno de 3/8-16 unc x 3/4
44	819 13 38-12	Arandela de 13/32 x 2-3/8 calibre12

NOTA: Las dimensiones de todos los componentes están expresadas en pulgadas americanas. 1 pulgada = 25,4 mm

**TRACTOR - - MODELO NO. YTH22V42 (96043018600), PRODUCTO NO. 960 43 01-86
CALCOMANÍAS**



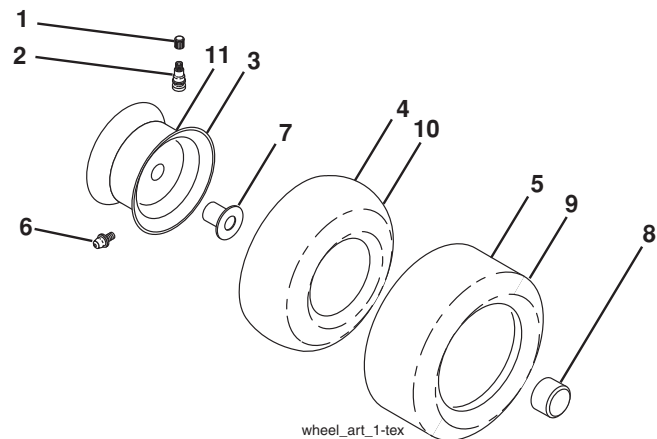
**CÓDIGO PIEZA
No. No.**

CÓDIGO PIEZA No.	No.	DESCRIPCIÓN
1	581 57 89-01	Calcomanía para la advertencia
2	581 62 73-01	Calcomanía para el insignia
3	581 25 85-01	Calcomanía para el Motor
4	532 43 86-64	Calcomanía para el panel
5	532 42 41-02	Calcomanía para la advertencia
6	585 92 65-01	Calcomanía de reemplazo
7	581 57 95-01	Calcomanía para la advertencia
8	532 42 38-29	Calcomanía del cliente
9	532 14 50-05	Calcomanía de Peligro/Punto de interconexión

**CÓDIGO PIEZA
No. No.**

CÓDIGO PIEZA No.	No.	DESCRIPCIÓN
12	581 58 00-01	Calcomanía del diagrama de la cortadora de césped
--	532 43 96-81	Forro del apoyo para los pies (LD)
--	532 43 96-82	Forro del apoyo para los pies (LI)
--	581 72 48-01	Calcomanía para la desviación
--	115 63 53-96	Manual del Operario (Inglés/ Español)
--	585 98 74-27	Manual de Repuestos (Inglés/ Español)

RUEDAS Y NEUMÁTICOS



**CÓDIGO PIEZA
No. No.**

CÓDIGO PIEZA No.	No.	DESCRIPCIÓN
1	532 05 91-92	Tapa de la válvula del neumático
2	532 06 51-39	Vástago de la válvula
3	532 13 83-36	Ensamble de las llantas delanteras
4	532 05 99-04	Cámara delantera
5	532 10 62-22	Neumático delantero 15 x 6.00-6
6	532 12 49-57	Accesorio para engrasar (solo para la rueda delantera)
7	532 12 49-59	Rodamiento de la brida (solo para la rueda delantera)
8	532 17 50-39	Tapa del eje 1 50 x 1 00
9	532 13 84-68	Neumático trasero 30 x 10.00-8
10	532 12 49-26	Cámara trasera (Mantenimiento sólo)
11	532 13 83-37	Ensamble trasero de la llanta
--	532 14 43-34	Sellador para neumáticos (tubo de 10 onzas [283 gr])

NOTA: Las dimensiones de todos los componentes están expresadas en pulgadas americanas. 1 pulgada = 25,4 mm

SERVICE NOTES / AVISO

09/16/2013 CL