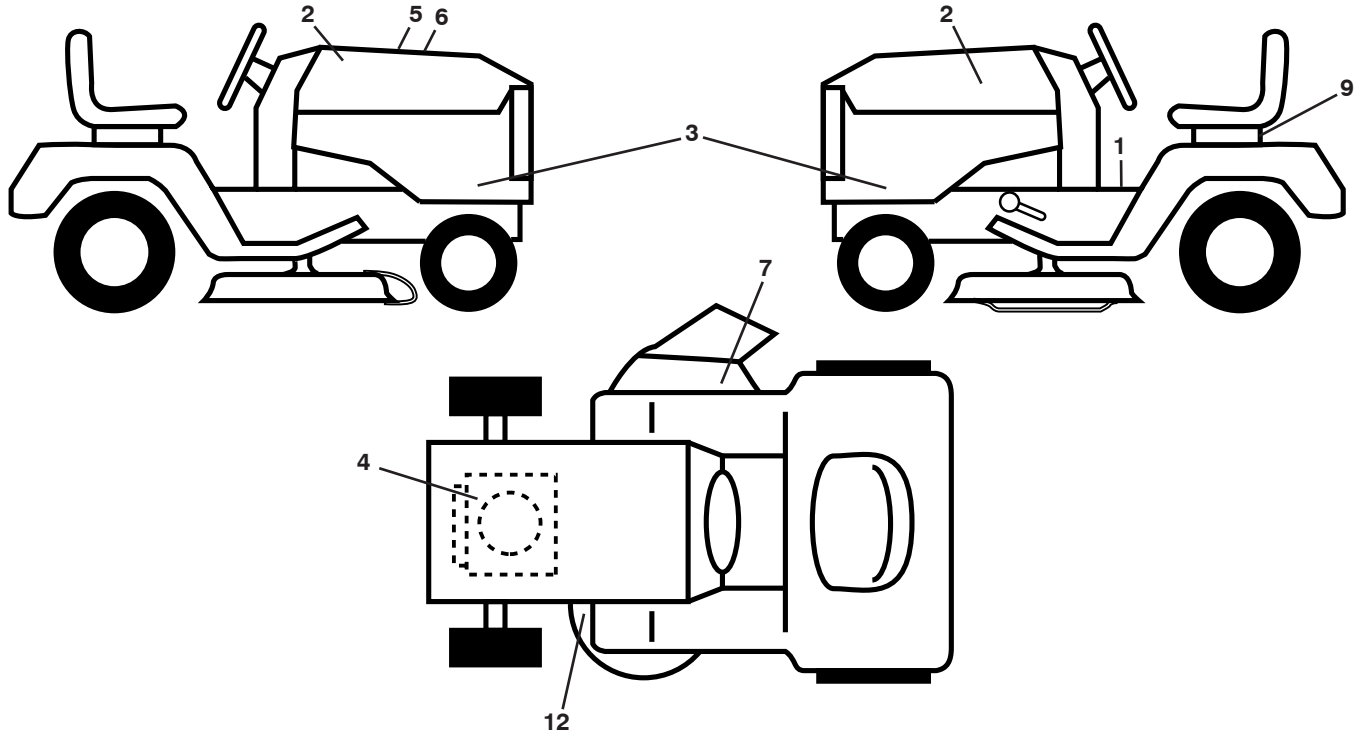




YTH22V42

Illustrated Parts List

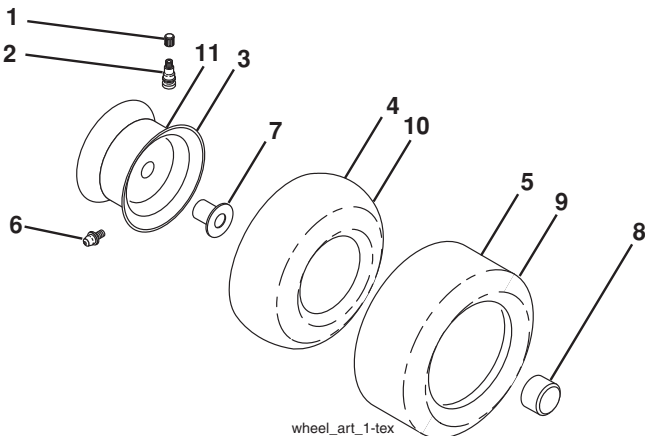
**TRACTOR - - MODEL NUMBER YTH22V42 (96043010900), PRODUCT NO. 960 43 01-09
DECALS**



KEY NO.	PART NO.	DESCRIPTION
1	532 41 16-57	Decal, Fender Warning
2	532 42 91-96	Decal, Hood
3	532 43 86-64	Decal, Hood Panel SD
4	532 42 95-56	Decal, Engine H.P.
5	532 42 38-29	Decal, Customer Respons.
6	532 43 84-72	Decal, Replacement
7	532 17 05-63	Decal, Mower Warn. Keep Hands Away

KEY NO.	PART NO.	DESCRIPTION
9	532 14 50-05	Decal, Battery Dnge/Poi
12	532 16 03-96	Decal, Mower V-Belt Schematic
--	532 16 69-60	Decal, Bypass
--	532 41 08-05	Pad, Footrest, LH
--	532 41 08-06	Pad, Footrest, RH
--	532 43 86-94	Manual, Owner's (English)
--	532 43 86-96	Manual, Owner's (Spanish)

WHEELS AND TIRES

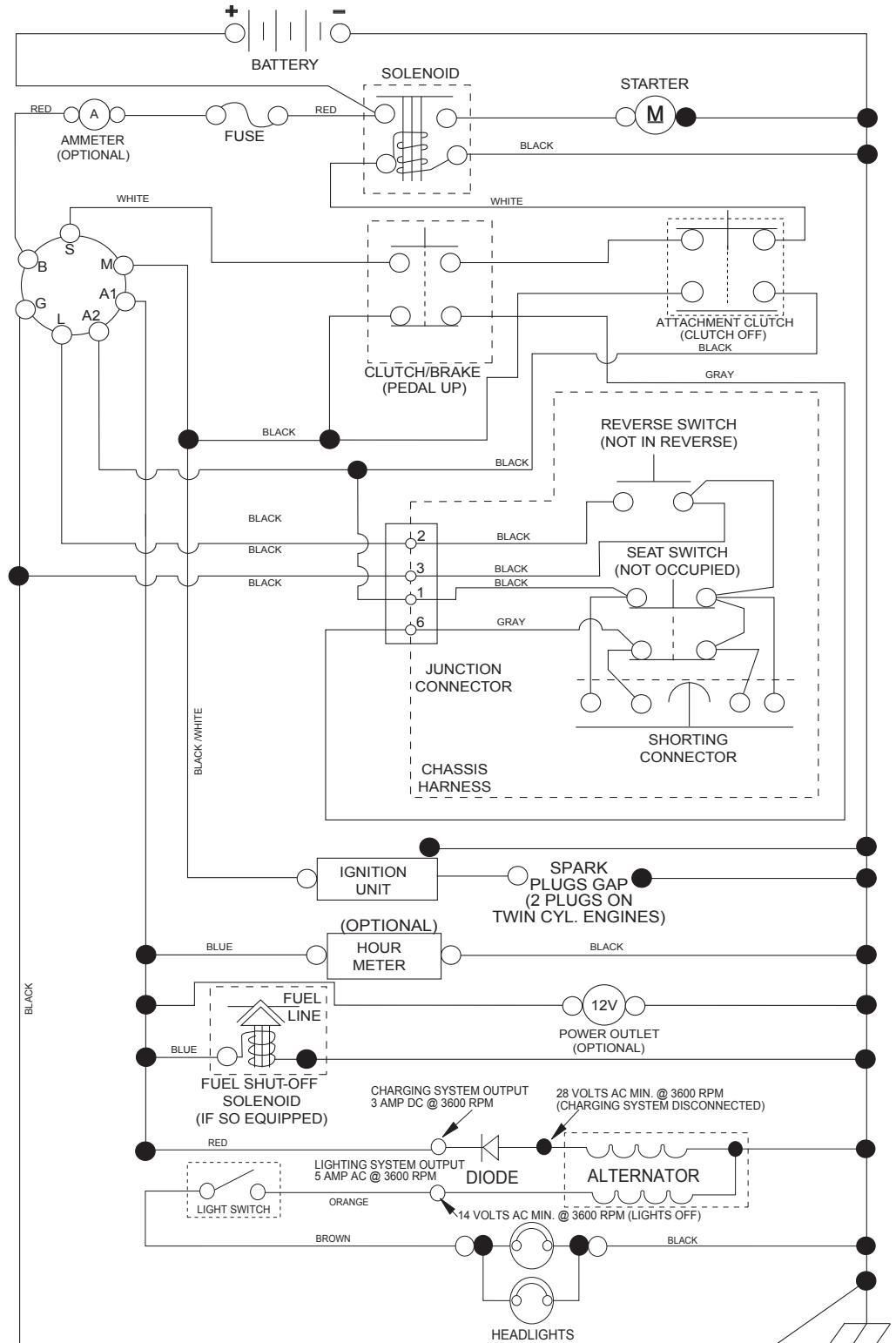


KEY NO.	PART NO.	DESCRIPTION
1	532 05 91-92	Cap Valve Tire
2	532 06 51-39	Stem Valve
3	532 13 83-36	Rim Front
4	532 05 99-04	Tube Front (Service Item Only)
5	532 10 62-22	Tire Front 15 x 6.0-6
6	532 12 49-57	Fitting Grease (Front Wheel Only)
7	532 12 49-59	Bearing Flange (Front Wheel Only)
8	532 17 50-39	Cap Axle Blk 1 50 x 1 00
9	532 13 84-68	Tire R 18 x 9.5-8 Turf Saver LT
10	532 12 49-26	Tube Rear (Service Item Only)
11	532 13 83-37	Rim Asm 8" Rear
--	532 14 43-34	Sealant, Tire (10 oz. Tube)

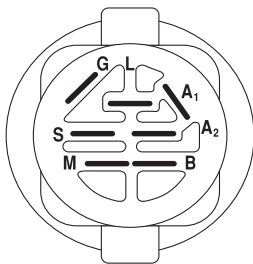
NOTE: All component dimensions given in U.S. inches
1 inch = 25.4 mm

TRACTOR - - MODEL NUMBER YTH22V42 (96043010900), PRODUCT NO. 960 43 01-09 SCHEMATIC

SCH11

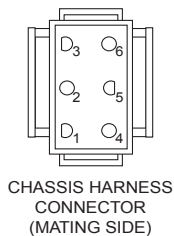


NOTE
YOUR TRACTOR IS EQUIPPED WITH A SPECIAL ALTERNATOR SYSTEM. THE LIGHTS ARE NOT CONNECTED TO THE BATTERY, BUT HAVE THEIR OWN ELECTRICAL SOURCE. BECAUSE OF THIS, THE BRIGHTNESS OF THE LIGHTS WILL CHANGE WITH ENGINE SPEED. AT IDLE THE LIGHTS WILL DIM. AS THE ENGINE IS SPEEDED UP, THE LIGHTS WILL BECOME THEIR BRIGHTEST.

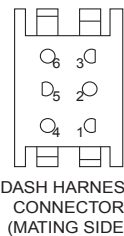


IGNITION SWITCH

POSITION	CIRCUIT "MAKE"
OFF	M+G+A1
RUN/OVERRIDE	B+A1
RUN	B+A1 L+A2
START	B + S + A1

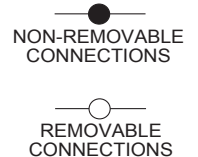


CHASSIS HARNESS CONNECTOR (MATING SIDE)



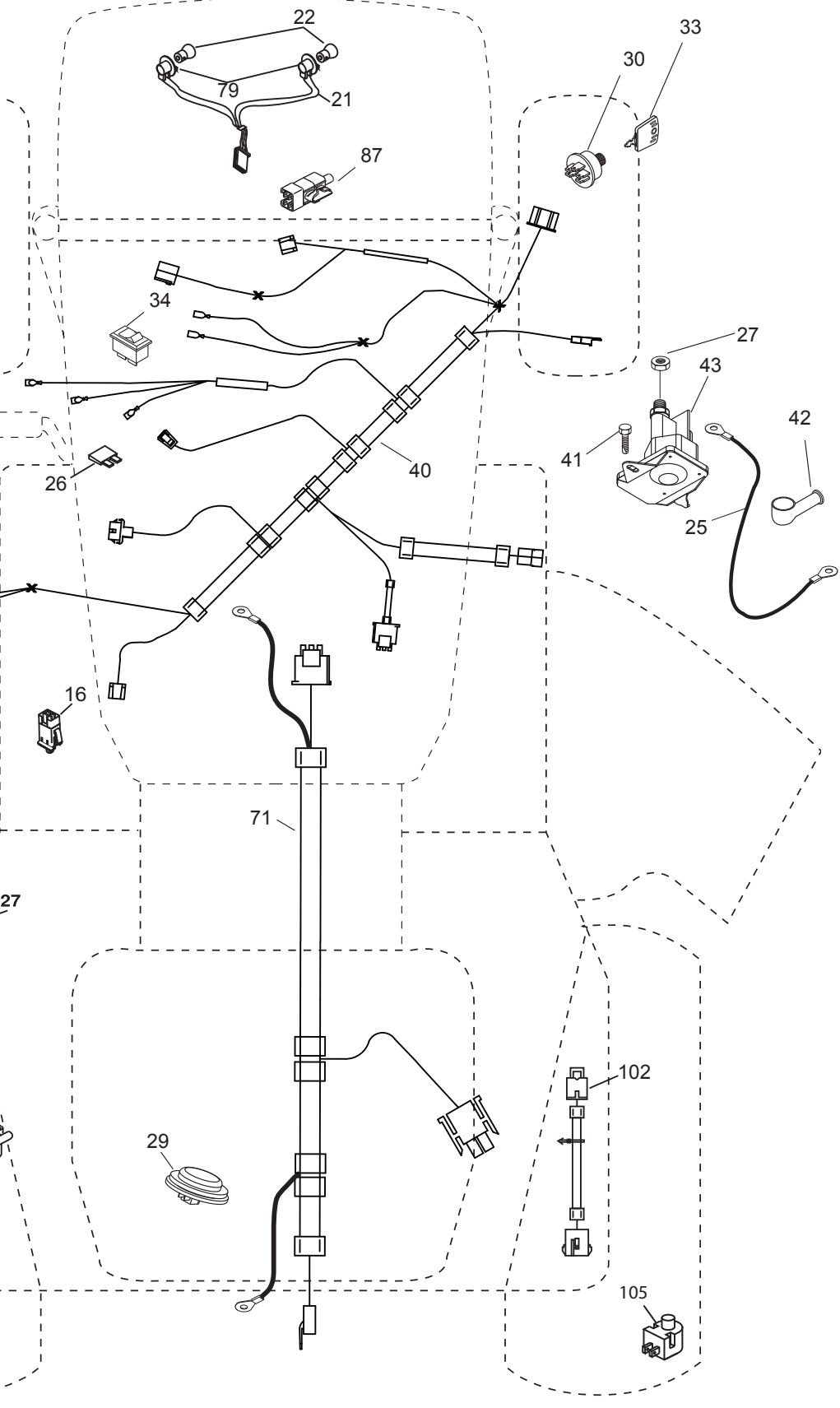
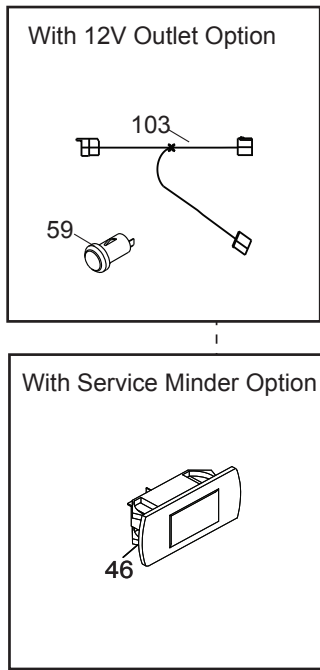
DASH HARNESS CONNECTOR (MATING SIDE)

WIRING INSULATED CLIPS
NOTE: IF WIRING INSULATED CLIPS WERE REMOVED FOR SERVICING OF UNIT, THEY SHOULD BE RE-INSTALLED TO PROPERLY SECURE YOUR WIRING.



**TRACTOR - - MODEL NUMBER YTH22V42 (96043010900), PRODUCT NO. 960 43 01-09
ELECTRICAL**

T06S

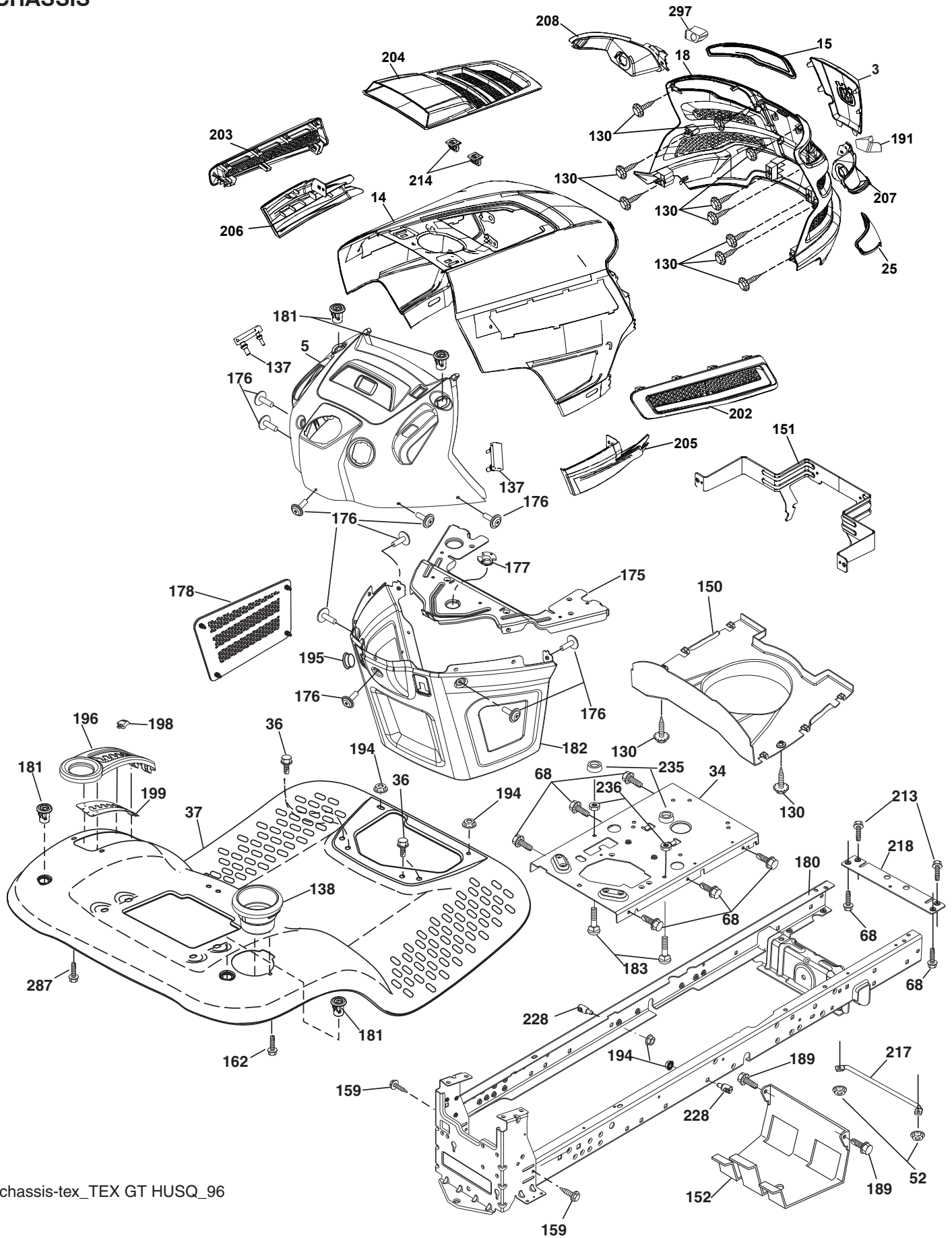


**TRACTOR - - MODEL NUMBER YTH22V42 (96043010900), PRODUCT NO. 960 43 01-09
ELECTRICAL**

KEY NO.	PART NO.	DESCRIPTION
1	532 16 34-65	Battery
2	874 76 04-12	Bolt Hex Head 1/4-20 x 3/4
8	532 19 32-28	Box Battery
16	532 17 61-38	Switch Interlock Push-In
21	532 40 02-52	Harness Socket Light w/4152J
22	532 00 41-52	Bulb Light
25	532 41 28-95	Cable Starter
26	532 17 51-58	Fuse
27	873 51 04-00	Nut Keps Hex 1/4-20 unc
28	532 19 88-85	Cable, Ground
29	532 40 15-45	Switch, Seat
30	532 19 33-50	Switch, Ign
33	532 41 19-33	Key/Chain
34	532 11 07-12	Switch Light/Reset
40	532 40 10-98	Harness Ign. Dash
41	817 72 04-08	Screw Thd Cut 1/4-20 x 1/2
42	532 13 15-63	Cover, Terminal
43	532 19 25-07	Solenoid
46	532 40 17-63	Gauge Serviceminder Hrmtr
55	817 06 05-12	Screw Thdrol 5/16-18 x 3/4 TYTT
71	532 40 04-49	Harness Ign.
79	532 17 52-42	Socket Asm. Bulb
87	532 19 78-02	Switch Interlock
90	532 43 53-95	Cover Terminal
102	532 40 44-54	Harness Pigtail
105	532 40 75-68	Switch Reverse

NOTE: All component dimensions given in U.S. inches
1 inch = 25.4 mm

TRACTOR - - MODEL NUMBER YTH22V42 (96043010900), PRODUCT NO. 960 43 01-09
CHASSIS



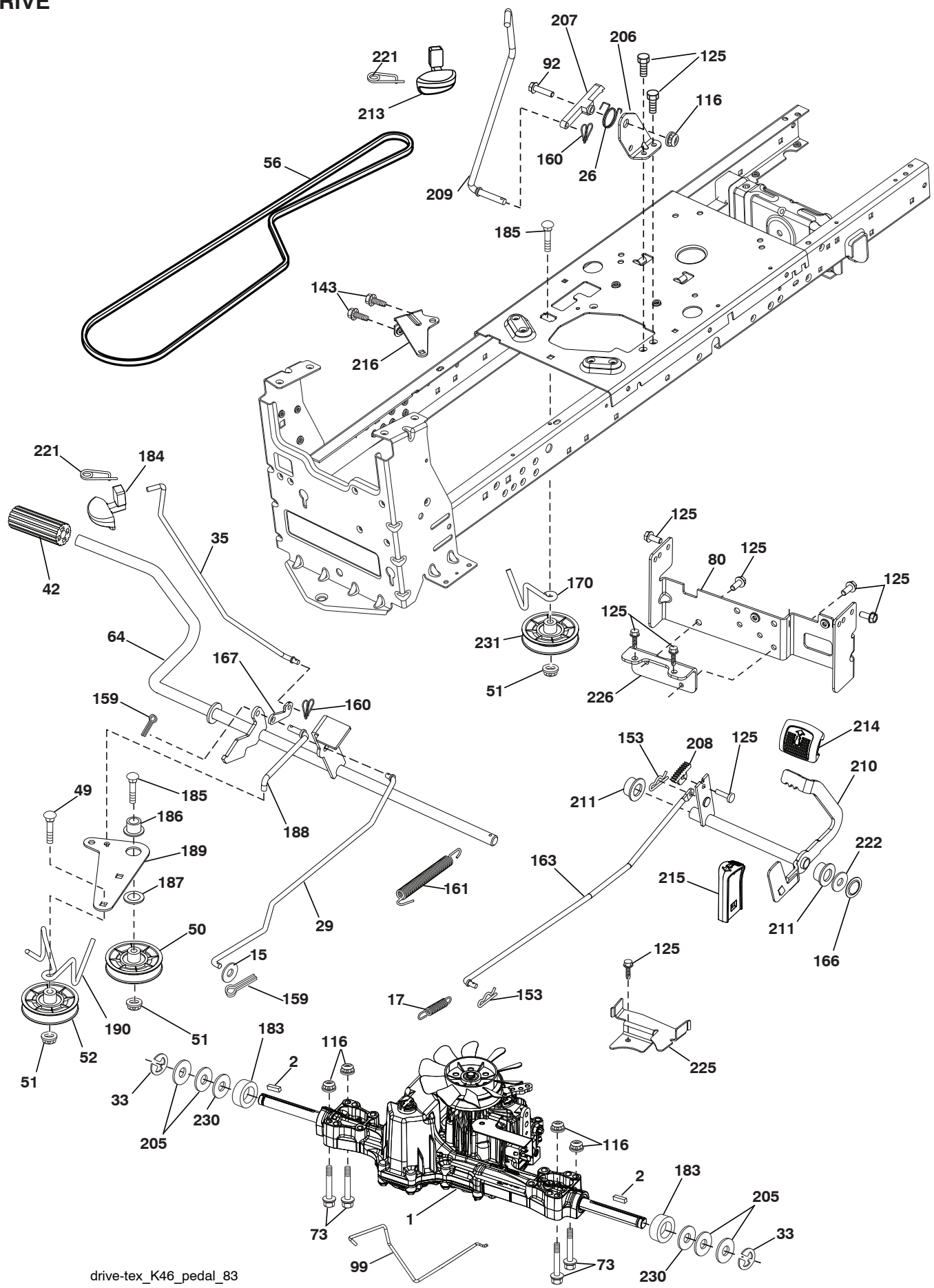
chassis-tex_TEX GT HUSQ_96

**TRACTOR - - MODEL NUMBER YTH22V42 (96043010900), PRODUCT NO. 960 43 01-09
CHASSIS**

KEY NO.	PART NO.	DESCRIPTION	KEY NO.	PART NO.	DESCRIPTION
3	532 43 97-52	Logo	189	817 00 05-12	Screw 5/16-18 x 3/4
5	532 44 08-60	Dash	191	532 43 74-55	Insert Reflective RH
14	532 43 97-25	Hood	194	873 90 05-00	Nut Lock Hex Flange 5/16-18
15	532 43 97-33	Lens LH	195	532 40 41-37	Plug Hole Dash Lower
18	532 43 77-62	Grille/Lens Asm.	196	532 41 91-96	Console Asm. Deck Lift
25	532 43 97-32	Lens RH	198	532 41 18-81	Indicator Deck Lift
34	532 19 61-25	Plate Engine	199	532 41 34-85	Plate Deck Lift
36	817 06 05-12	Screw 5/16-18 x 3/4	202	532 43 97-28	Vent Side Hood RH
37	532 41 87-14	Fender	203	532 43 97-27	Vent Side Hood LH
52	873 68 05-00	Nut Lock 5/16-18	204	532 43 57-14	Vent Top Hood
68	817 49 05-08	Screw Thdrol 5/16-18 x 1/2	205	532 43 97-30	Skirt Hood Side RH
130	532 41 63-58	Screw #10 x 0.750	206	532 43 97-29	Skirt Hood Side LH
137	532 40 75-90	Bumper Dash	207	532 43 97-34	Bezel RH
138	532 40 29-54	Cupholder	208	532 43 97-35	Bezel LH
150	532 43 97-74	Air Duct	213	874 76 05-12	Bolt 5/16-18 x 3/4
151	532 43 66-70	Bracket Pivot Hood	214	532 19 91-45	Clip Retainer Tinner
152	532 19 95-35	Shield Browning	217	532 40 91-67	Rod Pivot
159	817 00 06-12	Screw Hexwsh Thrd 3/8-16 x 3/4	218	532 19 63-95	X-Piece Hood Stop
162	532 14 24-32	Screw	228	532 19 51-61	Stud Fastner
175	532 19 63-04	Crossmember Plate	235	532 40 61-29	Spacer Fender
176	532 40 07-76	Screw 10-24 x 5/8	236	873 93 05-00	Nut Lock 5/16-18 unc
177	532 19 52-27	Bushing Steering	287	817 60 04-06	Screw 1/4-20 x 3/8
178	532 19 97-82	Cargo Asm. Net	297	532 43 74-56	Insert Reflective LH
180	532 19 54-57	Chassis			
181	532 40 30-25	Bushing Mtg. Fender Crgo			
182	532 40 68-59	Dash Lower			
183	874 52 05-20	Bolt Fin Hex 5/16-18 unc x 1-1/4			

NOTE: All component dimensions given in U.S. inches
1 inch = 25.4 mm

**TRACTOR - - MODEL NUMBER YTH22V42 (96043010900), PRODUCT NO. 960 43 01-09
DRIVE**

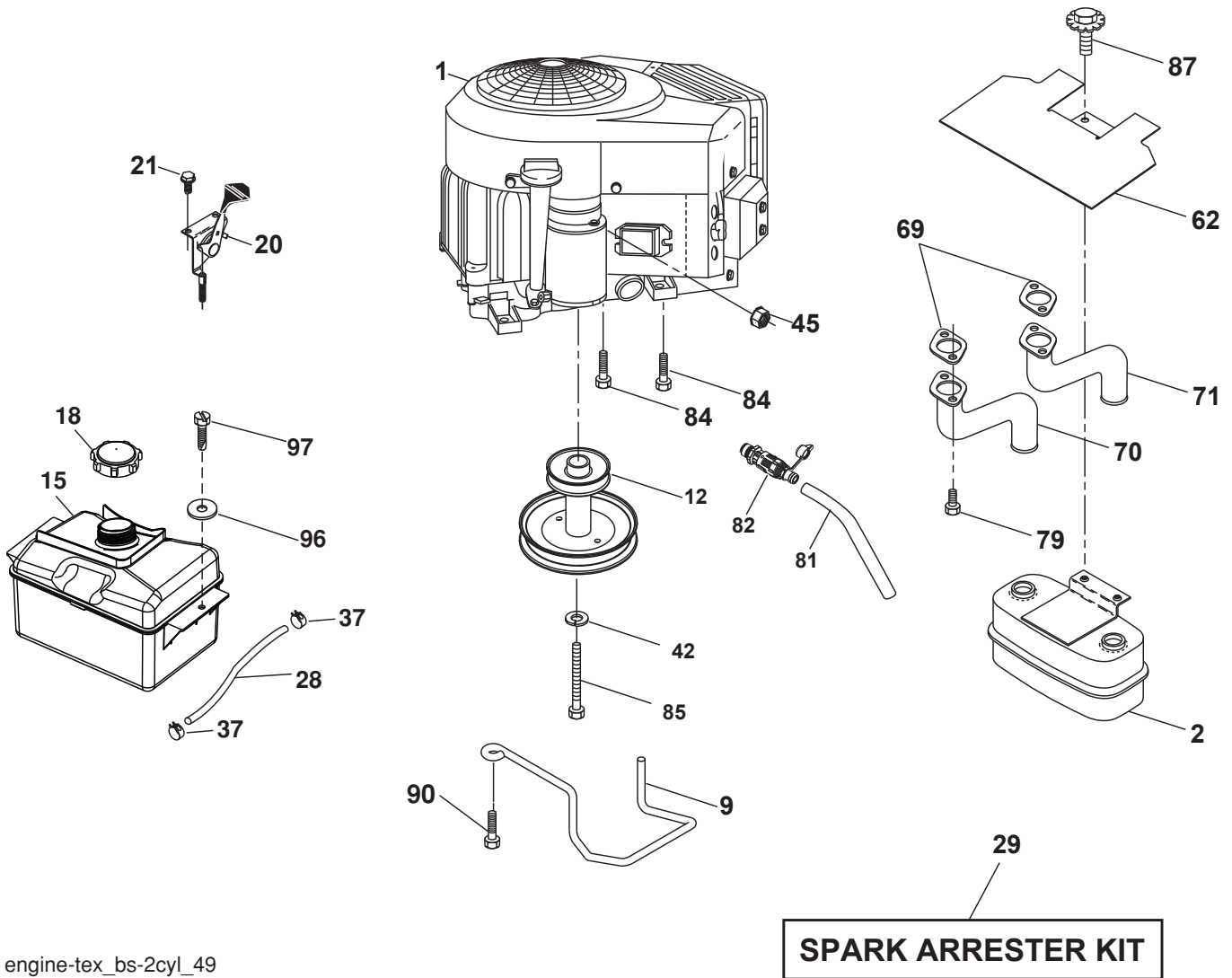


**TRACTOR - - MODEL NUMBER YTH22V42 (96043010900), PRODUCT NO. 960 43 01-09
DRIVE**

KEY NO.	PART NO.	DESCRIPTION	KEY NO.	PART NO.	DESCRIPTION
1	----	Transaxle, Tufftorq K46BT	184	532 40 31-18	Handle Parking Brake
2	532 12 35-83	Key Square	185	872 11 06-16	Bolt
15	819 13 13-16	Washer 13/32 x 13/16 x 16 Ga.	186	532 19 43-21	Spacer Retainer
17	532 41 36-78	Spring, Brake	187	819 13 32-10	Washer
26	532 19 96-79	Spring Return Cruise	188	532 19 43-23	Link Clutch Ground Drive
29	532 40 38-06	Rod, Brake	189	532 19 43-17	Bellcrank Ground Drive
33	812 00 00-01	Ring E	190	532 19 43-18	Keeper Bellcrank Ground Drive
35	532 43 54-86	Rod, Brake, Park	205	532 12 17-48	Washer 25/32 x 1-5/8 x 16 Ga.
42	532 12 48-72	Cover, Foot Pedal	206	532 19 78-67	Bracket Mount Latch Cruise
49	872 11 06-14	Bolt	207	532 19 78-68	Latch Control Cruise
50	532 19 43-27	Pulley Idler Flat	208	532 19 78-69	Gear Sector Control Cruise
51	873 90 06-00	Lock Nut 3/8-16	209	532 19 95-92	Rod Control Cruise
52	532 19 43-26	Idler V-Groove 910" Offset	210	532 40 09-80	Rocker Asm. Pedal Control
56	532 13 09-69	V-Belt, Drive	211	532 12 01-83	Bearing Nylon
64	532 19 78-65	Shaft Asm. Pedal Brake Control	213	532 40 31-19	Knob Control Cruise
73	874 49 05-40	Bolt Hex 5/16-18 Gr. 5	214	532 40 09-79	Pedal Forward Pad
80	532 41 21-70	Strap Torque	215	532 40 17-23	Pedal Reverse
92	874 76 05-20	Bolt Fin Hex 5/16-18 unc x 1.25	216	532 19 61-31	Bracket Pulley Idler
99	532 41 57-42	Rod Spring Bypass	221	532 40 31-87	Retainer Spring Clip Handle
116	873 90 05-00	Nut Lock Hex Flange 5/16-18	222	879 21 20-10	Washer 21/32 x 1-1/4 10 Ga.
125	817 00 05-12	Screw 5/16-18 x 3/4	225	532 40 33-19	Keeper Belt Transaxle
143	817 49 05-08	Screw 5/16-18 x 1/2	226	532 40 15-64	Bracket Mount Torque
153	532 12 47-88	Retainer Spring 1"	230	532 18 89-67	Washer Harden .793 x 1.637 x 060
159	876 02 04-12	Pin Cotter 1/8 x 3/4	231	532 19 43-26	Idler V-Groove 1.688" Offset
160	532 16 94-84	Retainer Clip			
161	532 10 57-09	Spring, Return, Clutch			
163	532 40 10-34	Rod Control			
166	532 42 91-64	Nut Push			
167	532 40 52-57	Latch Brake Parking			
170	532 19 43-22	Keeper V-Idler			
183	532 13 70-57	Spacer Axle			

NOTE: All component dimensions given in U.S. inches
1 inch = 25.4 mm

**TRACTOR - - MODEL NUMBER YTH22V42 (96043010900), PRODUCT NO. 960 43 01-09
ENGINE**



engine-tex_bs-2cyl_49

TRACTOR - - MODEL NUMBER YTH22V42 (96043010900), PRODUCT NO. 960 43 01-09 ENGINE

KEY NO.	PART NO.	DESCRIPTION
1	-----	Engine Briggs Model No. 407777-2195-G1
2	532 14 97-23	Muffler
9	532 19 43-20	Keeper Belt Engine
12	532 40 54-71	Pulley Engine
15	532 40 74-89	Tank Fuel
18	532 43 02-20	Cap Asm
20	532 42 35-02	Control Throttle/Choke
21	532 41 63-58	Screw #10 x 0.750 BOS Thread
28	532 40 11-37	Fuel Line
29	532 13 71-80	Spark Arrester Kit
37	532 12 34-87	Clamp Hose
42	810 04 07-00	Washer Lock 7/16
45	873 51 04-00	Nut Keps Hex 1/4-20 unc
62	532 43 40-17	Shield Heat
69	532 16 53-91	Gasket
70	532 15 99-55	Exhaust Tube LH
71	532 16 05-89	Exhaust Tube RH
79	532 18 39-06	Screw 5/16-18 x 1
81	532 14 84-56	Tube Drain Oil Easy
82	532 42 82-87	Valve Drain Oil
84	817 06 06-20	Screw 3/8-16 x 1/4
85	532 17 39-37	Bolt Hex 7/16-20 x 4 Gr. 5
87	532 17 18-77	Bolt 5/16-18 unc x 3/4 w/sems
90	817 00 06-16	Screw 3/8-16 x 1
96	819 09 14-16	Washer 9/32 x 7/8 x 16 Ga.
97	817 67 04-12	Screw 1/4-20 x 3/4

NOTE: All component dimensions given in U.S. inches
1 inch = 25.4 mm

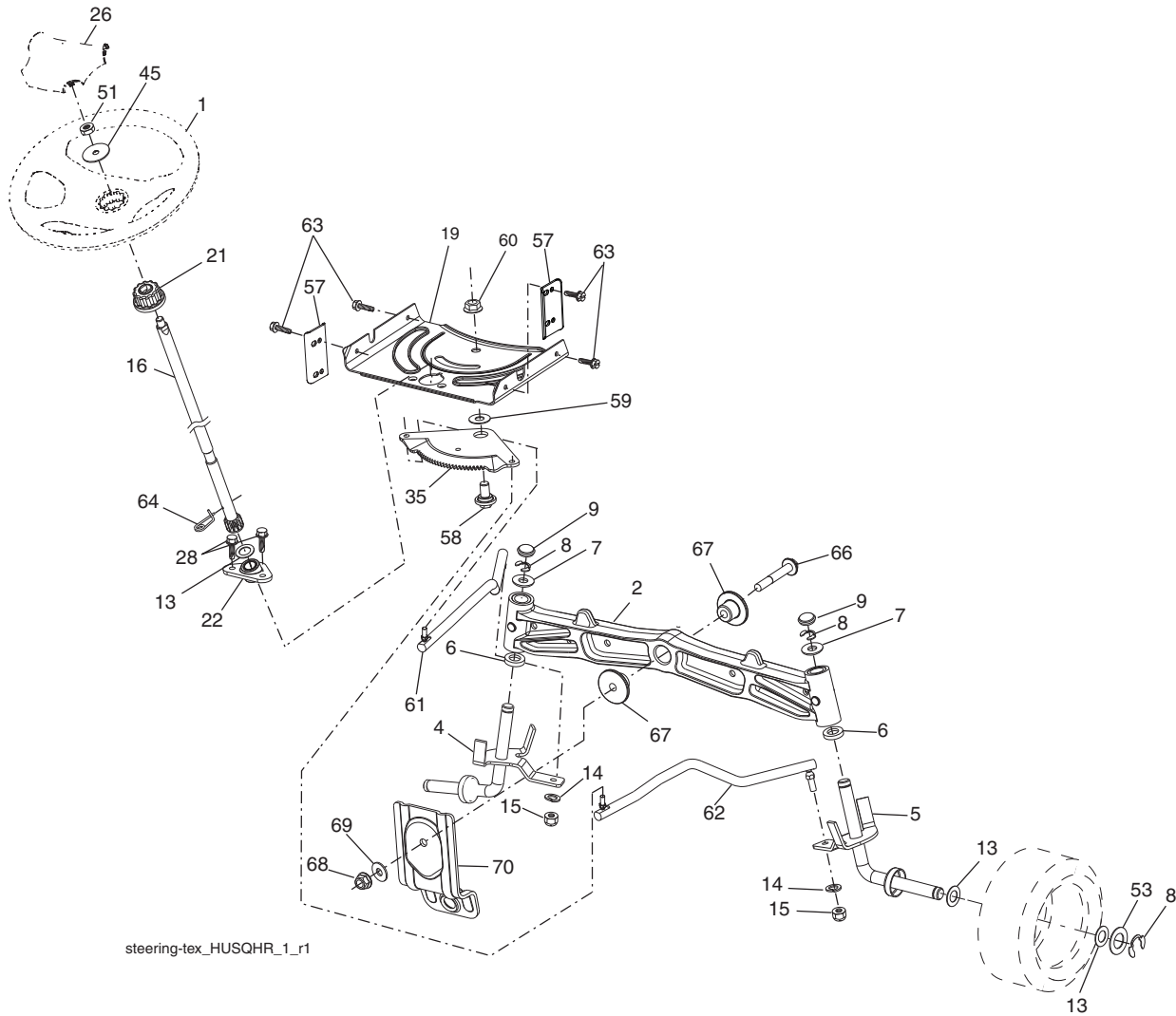
For engine service and replacement parts, call the toll free number for your engine manufacturer listed below:

Briggs & Stratton 1-800-233-3723

Engine Power Rating Information

The gross power rating for individual gas engine models is labeled in accordance with SAE (Society of Automotive Engineers) code J1940 (Small Engine Power & Torque Rating Procedure), and rating performance has been obtained and corrected in accordance with SAE J1995 (Revision 2002-05). Torque values are derived at 3060 RPM; horsepower values are derived at 3600 RPM. Actual gross engine power will be lower and is affected by, among other things, ambient operating conditions and engine-to-engine variability. Given both the wide array of products on which engines are placed and the variety of environmental issues applicable to operating the equipment, the gas engine will not develop the rated gross power when used in a given piece of power equipment (actual "on-site" or net power). This difference is due to a variety of factors including, but not limited to, accessories (air cleaner, exhaust, charging, cooling, carburetor, fuel pump, etc.), application limitations, ambient operating conditions (temperature, humidity, altitude), and engine-to-engine variability. Due to manufacturing and capacity limitations, Briggs & Stratton may substitute an engine of higher rated power for this Series engine.

**TRACTOR - - MODEL NUMBER YTH22V42 (96043010900), PRODUCT NO. 960 43 01-09
STEERING ASSEMBLY**



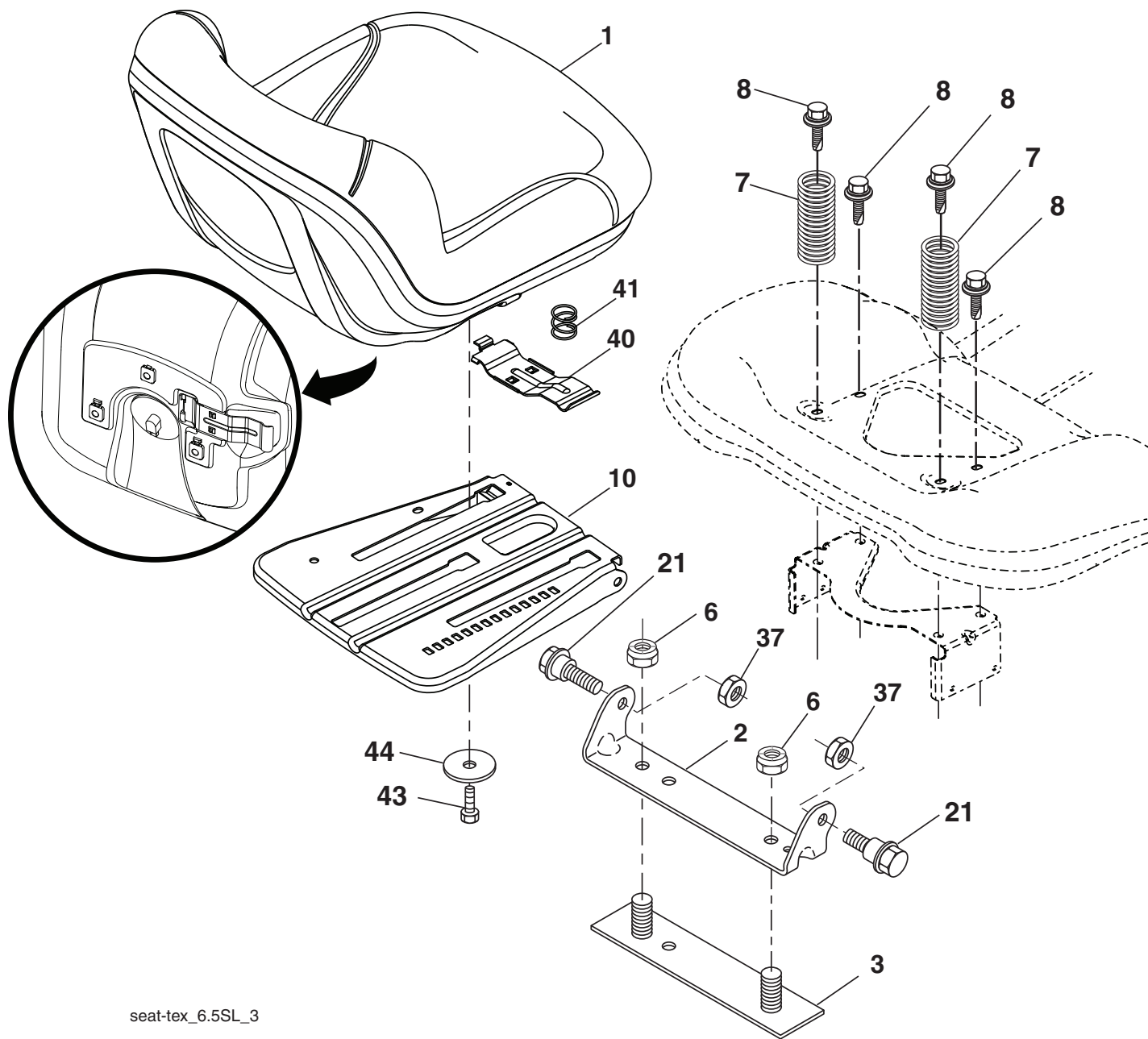
steering-tex_HUSQHR_1_r1

KEY NO.	PART NO.	DESCRIPTION
1	532 41 64-80	Wheel, Steering
2	532 19 59-68	Axle Cast Iron
4	532 40 30-87	Spindle Asm., LH
5	532 40 30-88	Spindle Asm., RH
6	532 12 49-31	Washer, Thrust
7	532 12 17-48	Washer 25/32 x 1-5/8 x 16 Ga.
8	812 00 00-29	Ring, Klip #T5304-75
9	532 12 12-32	Cap, Spindle
13	532 12 17-49	Washer 25/32 x 1-1/4 x 16 Ga.
14	810 04 06-00	Washer, Lock Hvy Hlcl Spr 3/8
15	873 54 06-00	Nut, Crown Lock 3/8-24 unf
16	532 40 82-19	Shaft Steering
19	532 19 47-29	Plate Steering
21	532 18 67-37	Adapter, Wheel Steering
22	532 42 05-37	Steering Support Lower
26	532 41 59-87	Insert, Wheel Steering
28	817 00 06-12	Screw 3/8-16 x 3/4
35	532 19 47-32	Gear, Sector Plate
45	819 18 38-12	Washer 9/16 ID x 2-3/8 OD 12 Ga.

KEY NO.	PART NO.	DESCRIPTION
51	873 94 08-00	Nut Hex Jam Toplock 1/2-20 unf
53	532 18 89-67	Washer Hardened .793x1.637x.060
57	532 40 74-65	Bracket Upstop
58	532 19 47-47	Bolt Shoulder Sector Pivot CFM
59	532 19 47-48	Washer Thrust Sector Steering
60	873 97 10-00	Nut Flange Lock 5/8-11
61	532 19 47-40	Draglink, LH
62	532 19 47-41	Draglink, RH
63	817 00 05-12	Screw 5/16-18 x 3/4
64	532 19 98-49	Retainer Clip Spring Steering
66	871 02 07-48	Bolt Hex Fghd 7/16-14 x 3 Serr
67	532 19 47-37	Bushing PM Front Axle
68	873 90 07-00	Nut Lock Flange 7/16-14 Gr. 5
69	532 19 91-62	Washer 1.5 x .505 x .118
70	532 19 61-97	Bracket Deck Susp. Front

NOTE: All component dimensions given in U.S. inches
1 inch = 25.4 mm

**TRACTOR - - MODEL NUMBER YTH22V42 (96043010900), PRODUCT NO. 960 43 01-09
SEAT ASSEMBLY**



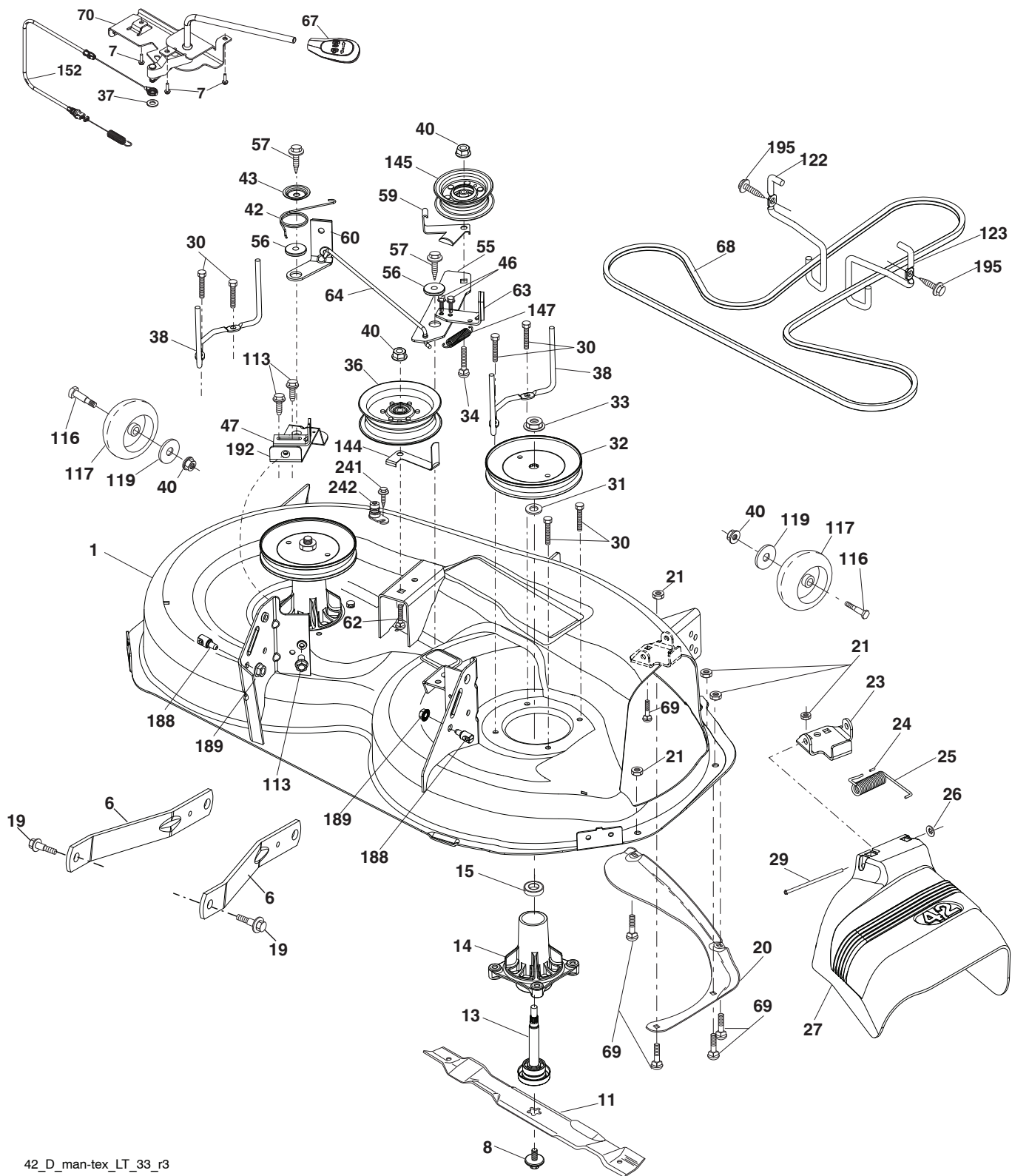
seat-tex_6.5SL_3

KEY NO.	PART NO.	DESCRIPTION
1	532 43 98-22	Seat
2	532 18 01-66	Bracket Pivot Fender
3	532 14 06-75	Strap, Asm Fender
6	873 80 06-00	Nut, Lock w/Ins. 3/8-16 unc
7	532 12 41-81	Spring, Seat Cprsn
8	532 17 18-77	Bolt 5/16-18 unc x 3/4 w/Sems
10	532 19 69-77	Pan, Seat
21	532 17 18-52	Bolt, Shoulder 5/16-18

KEY NO.	PART NO.	DESCRIPTION
37	873 80 05-00	Nut, Lock 5/16-18 unc
40	532 19 76-61	Handle Slide Seat
41	532 19 82-00	Spring Latch Seat
43	874 76 06-12	Bolt Fin Hex 3/8-16 unc x 3/4
44	819 13 38-12	Washer 13/32 x 2-3/8 x 12 Ga.

NOTE: All component dimensions given in U.S. inches
1 inch = 25.4 mm

**TRACTOR - - MODEL NUMBER YTH22V42 (96043010900), PRODUCT NO. 960 43 01-09
MOWER DECK**



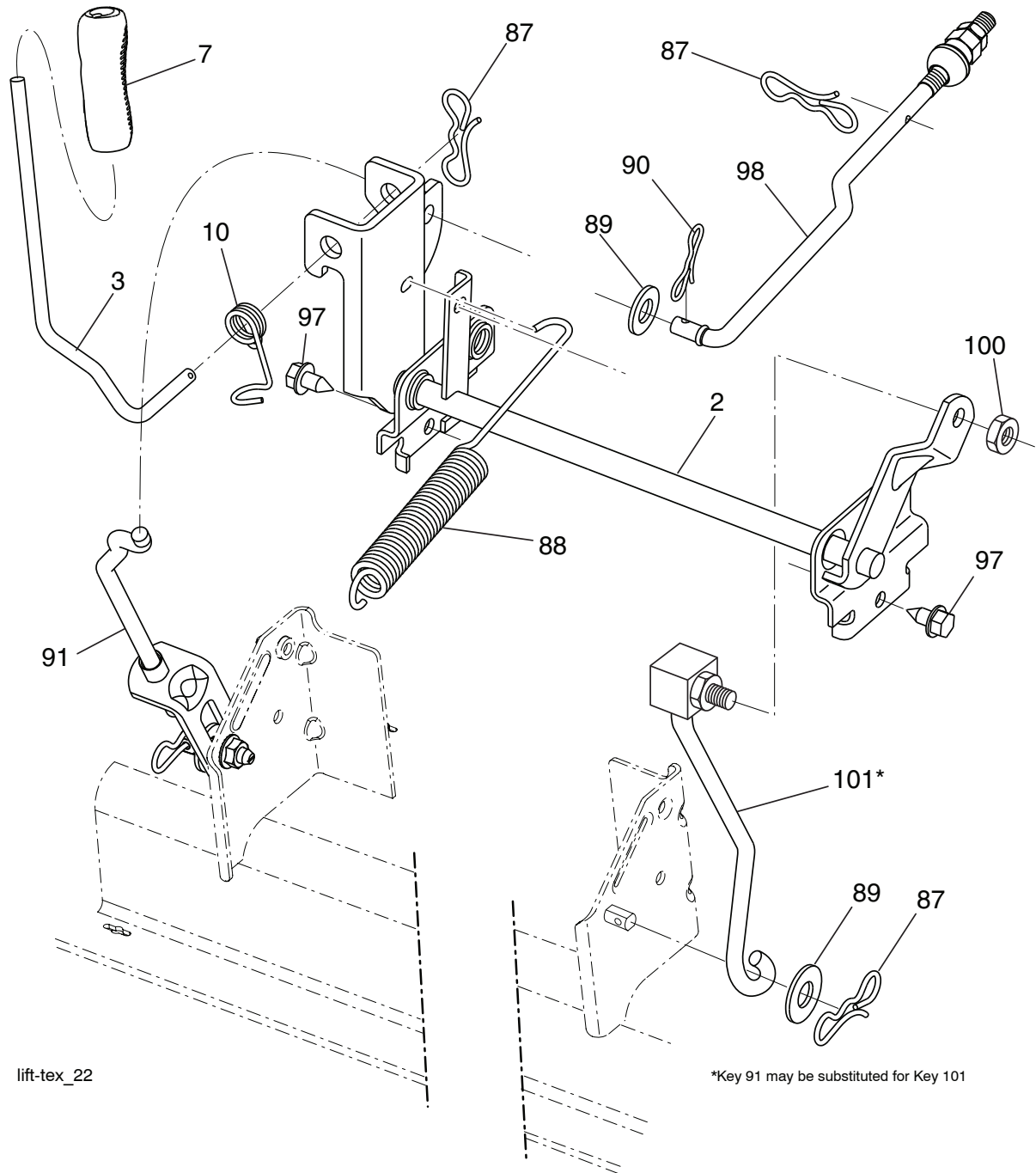
42_D_man-tex_LT_33_r3

**TRACTOR - - MODEL NUMBER YTH22V42 (96043010900), PRODUCT NO. 960 43 01-09
MOWER DECK**

KEY PART NO. NO.	DESCRIPTION	KEY PART NO. NO.	DESCRIPTION		
1	532 19 47-92	Mower Housing	60	532 19 72-61	Arm Brake Mower LH
2	532 40 55-06	Cover Mandrel RH	62	872 11 06-16	Bolt 3/8-16 unc x 2
3	532 40 55-07	Cover Mandrel LH	63	532 19 99-71	Arm Brake Mower
6	532 19 51-86	Arm Suspension	64	532 19 99-18	Linkage Brake
7	532 41 63-58	Screw # 10 x 0.750	67	532 40 30-12	Handle, Clutch Cable
8	532 19 30-03	Bolt/Washer asm 7/16-20 unf	68	532 42 96-36	V-Belt
11	532 13 89-71	Blade Mower Hi Lift	69	872 14 05-05	Bolt
13	532 19 28-72	Shaft Assembly, Mandrel	70	532 43 51-10	Clutch Asm. Cable
14	532 18 72-81	Housing, Mandrel	113	817 00 05-10	Screw 5/16-18
15	532 11 04-85	Bearing, Ball, Mandrel	116	532 19 34-06	Bolt, Shoulder
19	532 19 65-39	Bolt, Shoulder	117	532 17 48-73	Wheel, Gauge
20	532 15 97-70	Baffle Vortex 42	119	819 13 20-12	Washer 13/32 x 1-1/4 x 12 Ga.
21	873 68 05-00	Nut	122	532 19 72-58	Keeper Belt Eng. LH
23	532 19 25-57	Bracket, Deflector	123	532 19 72-59	Keeper Belt Eng. RH
24	532 10 53-04	Cap, Sleeve	144	532 19 92-04	Keeper Belt
25	532 19 70-26	Spring, Torsion, Deflector	145	532 19 31-97	Pulley Idler
26	532 11 04-52	Nut, Push	147	532 40 19-71	Spring Return
27	532 40 30-04	Shield, Deflector	152	532 40 83-19	Cable Clutch Manual w/Spr.
29	532 13 14-91	Rod, Hinge	188	532 19 51-61	Stud Fastener
30	532 17 39-84	Screw Thdrol Rolling Wsh Hd	189	873 90 05-00	Nut Lock Hex Flange
31	532 18 76-90	Washer, Spacer	192	532 19 72-60	Bracket Brake Stand
32	532 19 74-73	Pulley, Mandrel	195	817 00 06-12	Screw 3/8-16 x 3/4
33	532 40 02-34	Nut, Toplock, Flanged	241	532 15 29-27	Screw
34	872 11 06-12	Bolt Carr Sh. 3/8-16 x 1-1/2 Gr. 5	242	532 41 55-98	Washout Port
36	532 19 73-79	Pulley, Idler, Flat	--	532 41 64-05	Coupling Quick connect
37	819 13 13-16	Washer 13/32 x 13/16 x 16 Ga.	--	532 19 28-70	Mandrel Assembly (Includes housing, shaft assembly, and bearing only - pulley/nut/washer and blade bolt/washers not included)
38	532 43 25-20	Keeper Belt LH Mandrel	--	532 43 77-34	Replacement Mower, Complete
40	873 90 06-00	Nut, Lock Flg. 3/8-16 unc			
42	532 19 84-10	Spring Torsion Brake			
43	532 19 72-56	Spring Torsion Retainer			
46	532 13 77-29	Screw			
47	532 19 72-50	Bracket Clutch Cable			
55	532 43 71-10	Arm, Idler			
56	532 19 90-92	Spacer, Retainer			
57	817 00 06-16	Screw Hexwsh Thd 3/8-16 x 1			
59	532 14 10-43	Guard, Tuv Idler (94)			

NOTE: All component dimensions given in U.S. inches
1 inch = 25.4 mm

**TRACTOR - - MODEL NUMBER YTH22V42 (96043010900), PRODUCT NO. 960 43 01-09
MOWER LIFT**



lift-tex_22

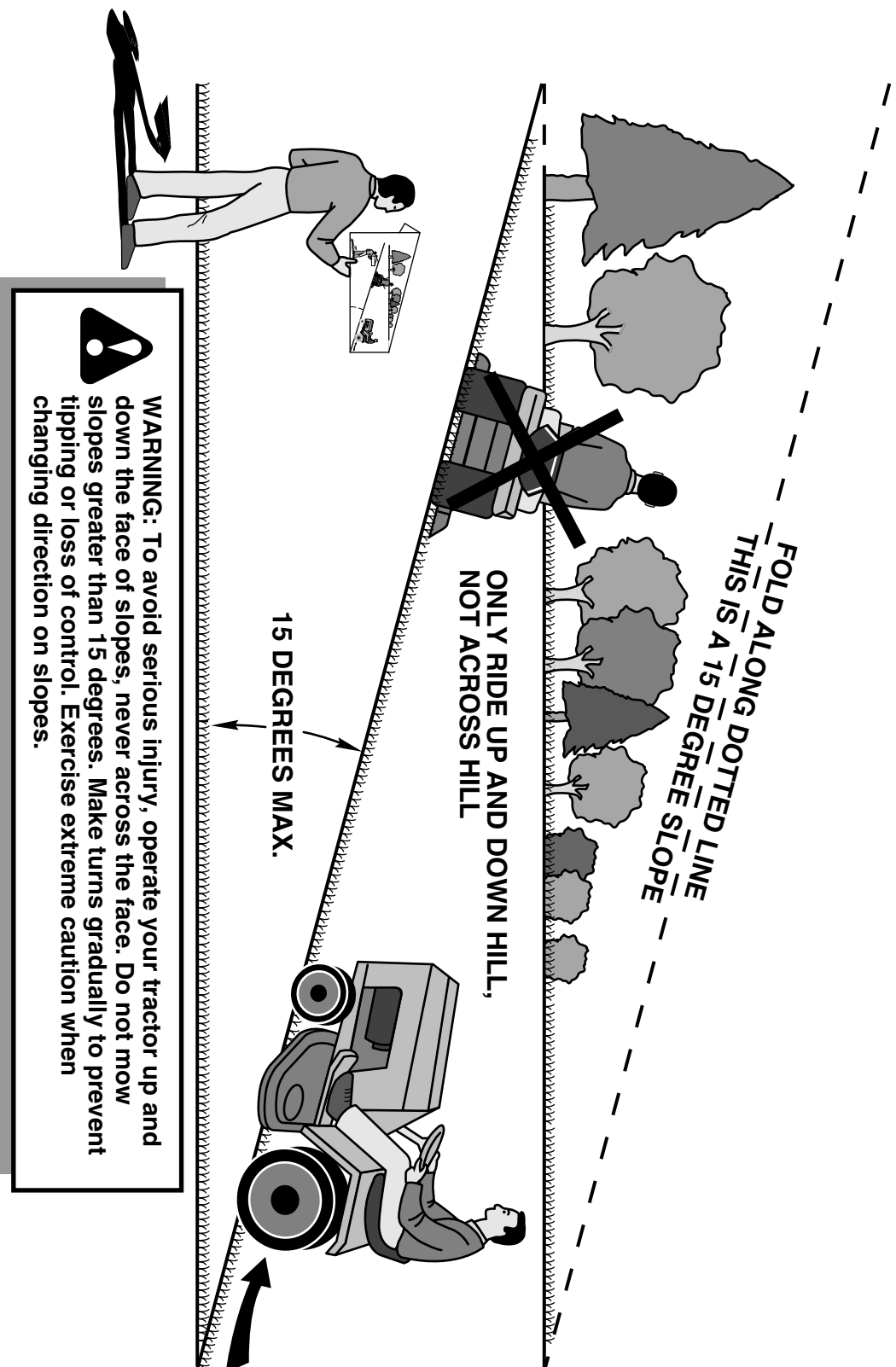
*Key 91 may be substituted for Key 101

KEY NO.	PART NO.	DESCRIPTION
2	532 42 20-27	Shaft Asm., Lift
3	532 19 52-31	Lever Asm., Lift RH
7	532 41 15-55	Grip, Lever
10	532 19 63-14	Spring Torsion
87	532 19 42-09	Pin Cotter 7/16 Bow Tie Lock
88	532 41 07-10	Spring Lift Assist
89	819 19 19-12	Washer Clear Zinc
90	532 19 42-08	Pin Cotter 5/16 Bow Tie Lock
91	532 19 51-81	Link Lift Susp Mower Rear

KEY NO.	PART NO.	DESCRIPTION
97	817 00 06-12	Screw 3/8-16 x .75 Smgml Tap/R.Z
98	532 19 52-70	Link Lift Susp. Front Mower
100	873 93 06-00	Nut Center Lock 3/8-16 unc
101	532 40 70-03	Link Asm Lift Fixed

NOTE: All component dimensions given in U.S. inches
1 inch = 25.4 mm

SUGGESTED GUIDE FOR SIGHTING SLOPES FOR SAFE OPERATION



1. Fold this page along dotted line indicated above.
2. Hold page before you so that its left edge is vertically parallel to a tree trunk or other upright structure.
3. Sight across the fold in the direction of hill slope you want to measure.
4. Compare the angle of the fold with the slope of the hill.

