

581 55 31-27



Repair Parts Manual IPL Manual

YTH22K42/ 96048003201

Please read the operator's manual carefully and make sure you understand the instructions before using the machine.



English

HOW TO USE THIS MANUAL

This manual is designed to provide the customer with a means to identify the parts on his/her tractor when ordering repair parts. The illustrations may or may not represent the actual assemblies; therefore, it is not recommended to use this manual as a guide to assemble or disassemble the tractor. Some hardware and parts are drawn larger in order to more readily identify them.

Each tractor has its own model number.

The model number for your tractor can be found on the fender under the seat.

When ordering parts, always give the following information:

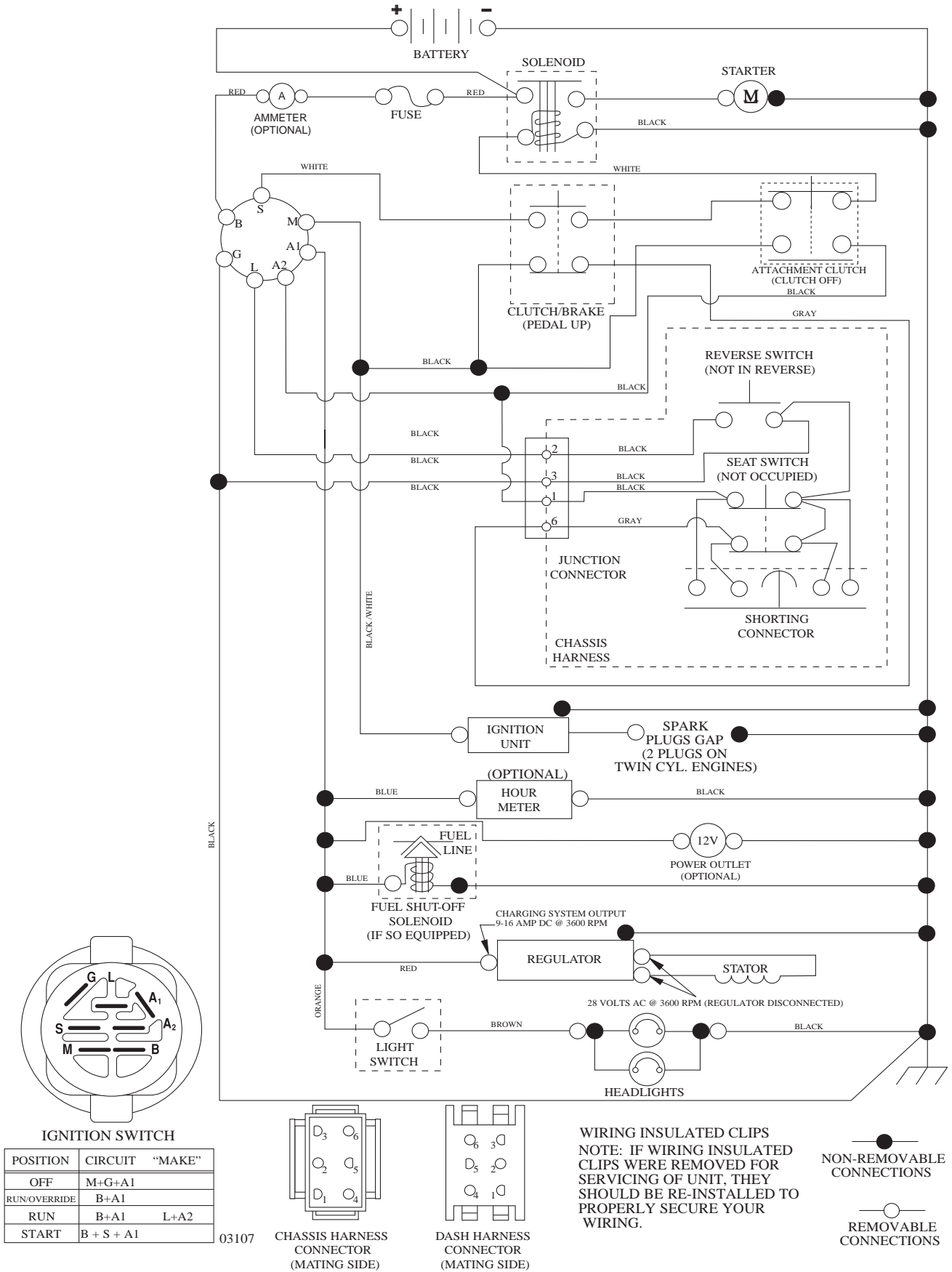
- Product - "TRACTOR"
- MODEL NUMBER - "YTH22K42" (96048003201)"
- Part Number
- Part Description

TABLE OF CONTENTS

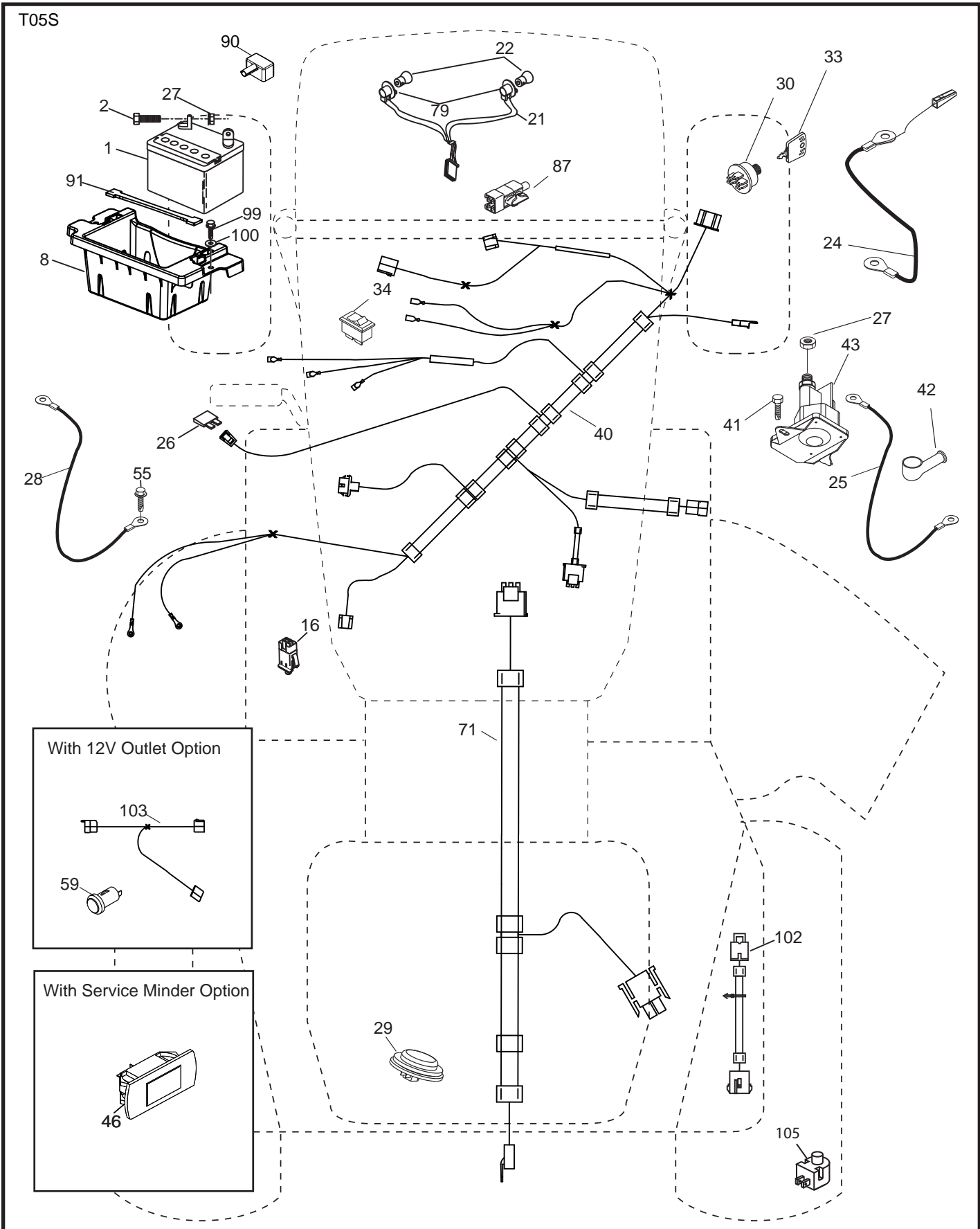
SCHEMATIC	3
ELECTRICAL.....	4-5
CHASSIS	6-7
DRIVE.....	8-9
ENGINE.....	10
STEERING	11
MOWER DECK.....	12-13
MOWER LIFT.....	14
SEAT	15
DECALS.....	16

TRACTOR - - MODEL NUMBER YTH22K42 (96048003201), PRODUCT NO. 960 48 00-32 SCHEMATIC

SCH10



**TRACTOR - - MODEL NUMBER YTH22K42 (96048003201), PRODUCT NO. 960 48 00-32
ELECTRICAL**

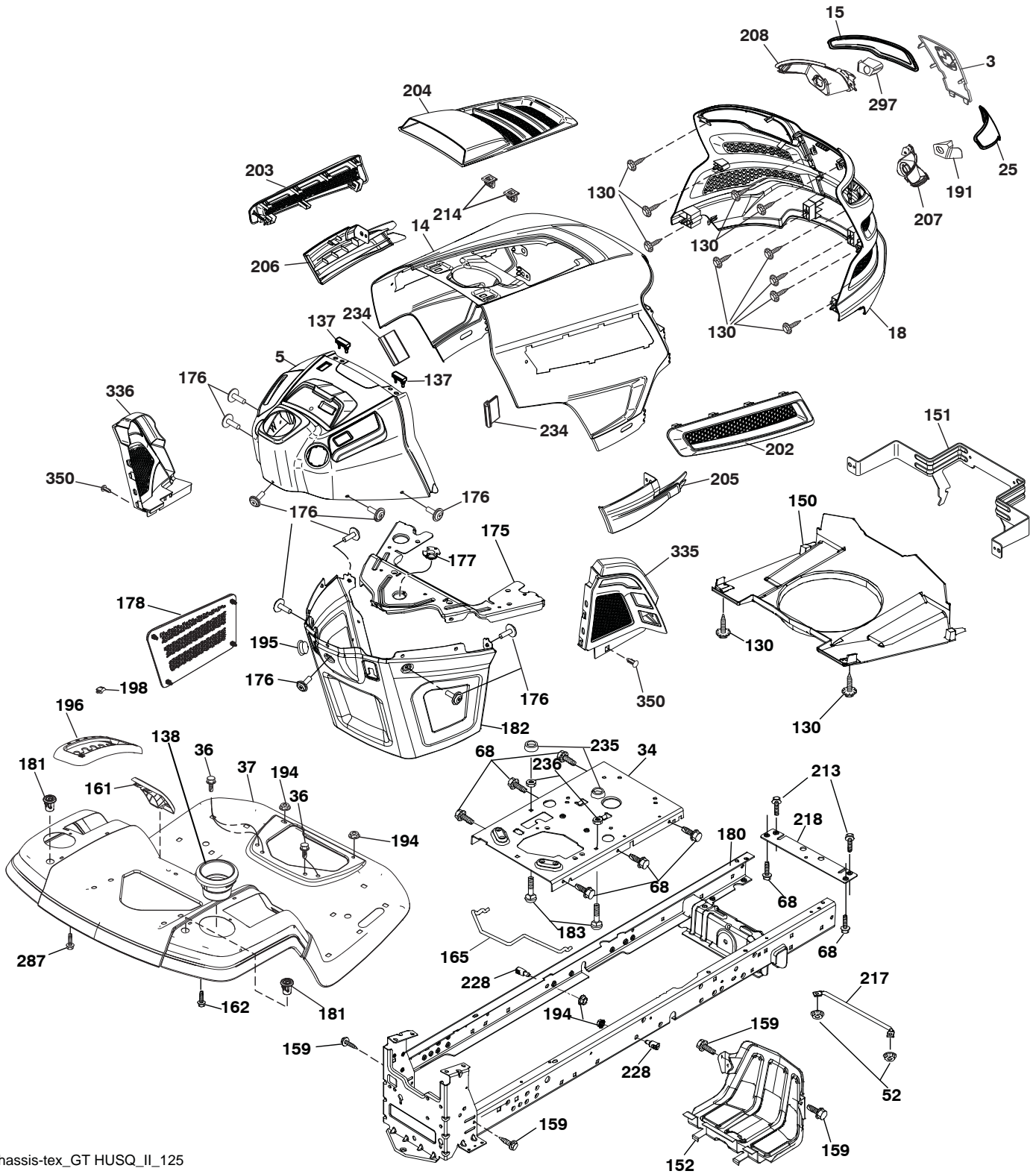


**TRACTOR - - MODEL NUMBER YTH22K42 (96048003201), PRODUCT NO. 960 48 00-32
ELECTRICAL**

KEY PART NO.	PART NO.	DESCRIPTION
1	532 16 34-65	Battery
2	874 76 04-12	Bolt Hex Head 1/4-20 x 3/4
8	532 18 64-91	Box Battery
16	532 17 61-38	Switch Interlock Push-In
21	532 40 02-52	Harness Socket Light w/4152J
22	532 00 41-52	Bulb Light
24	532 40 02-53	Cable Btry. PSWRE Dsh Sol 8 tex
25	532 41 28-95	Cable Starter
26	532 17 51-58	Fuse
27	873 51 04-00	Nut Keps Hex 1/4-20 unc
28	532 14 54-91	Cable, Ground
29	532 40 15-45	Switch, Seat
30	532 19 33-50	Switch, Ign
33	532 41 19-35	Key/Chain
34	532 11 07-12	Switch Light/Reset
40	532 40 10-98	Harness Ign. Dash
41	817 72 04-08	Screw Thd Cut 1/4-20 x 1/2
42	532 13 15-63	Cover, Terminal
43	532 19 25-07	Solenoid
46	532 40 17-63	Gauge Serviceminder Hrmtr
55	817 06 05-12	Screw Thdrol 5/16-18 x 3/4 TYTT
71	532 19 42-76	Harness Ign. Chassis
79	532 17 52-42	Socket Asm. Bulb
87	532 19 78-02	Switch Interlock
90	532 43 53-95	Cover Terminal
91	532 19 02-70	Strap Battery Mount Front
99	817 67 04-12	Screw Hex wsh Thdrol 1/4-20 x 3/4
100	819 09 14-16	Washer 9/32 x 7/8 x 16 Ga.
102	532 40 44-54	Harness Pigtail Tex ROS Tuff Torq.
105	532 40 75-68	Switch Reverse

NOTE: All component dimensions given in U.S. inches
1 inch = 25.4 mm

**TRACTOR - - MODEL NUMBER YTH22K42 (96048003201), PRODUCT NO. 960 48 00-32
CHASSIS**



chassis-tex_GT HUSQ_II_125

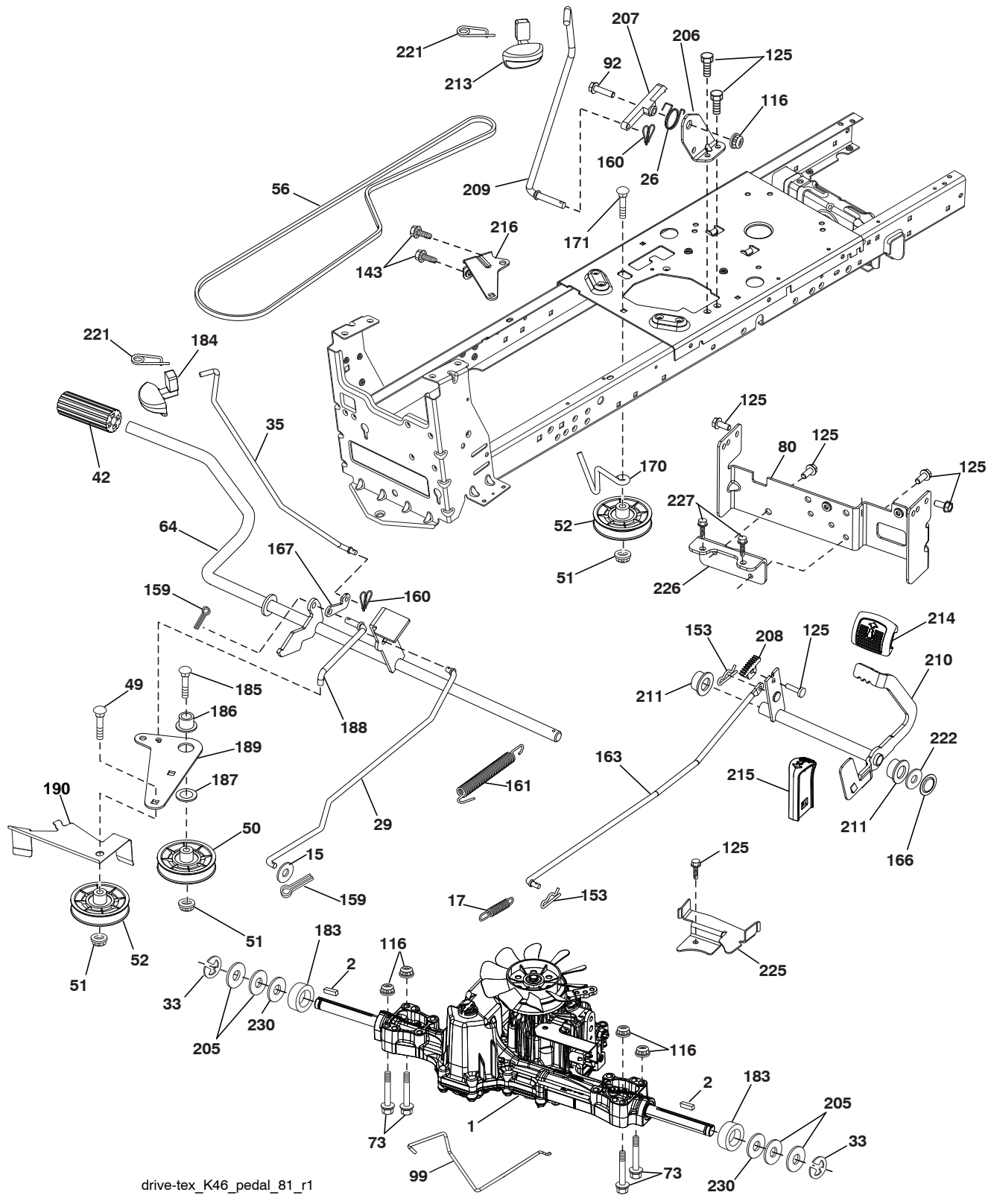
**TRACTOR - - MODEL NUMBER YTH22K42 (96048003201), PRODUCT NO. 960 48 00-32
CHASSIS**

KEY PART NO. NO.	DESCRIPTION
3	532 43 97-52 Logo
5	532 43 74-74 Dash
14	532 44 11-77 Hood
15	532 43 97-33 Lens LH
18	532 43 77-62 Grille
25	532 44 33-85 Lens RH
34	580 91 08-01 Plate Engine
36	817 06 05-12 Screw 5/16-18 x 3/4
37	532 44 12-69 Fender
52	873 68 05-00 Nut Lock 5/16-18
68	817 49 05-08 Screw Thdrol 5/16-18 x 1/2
130	532 41 63-58 Screw #10 x 0.750
137	532 40 75-90 Bumper Dash
138	532 43 97-47 Cupholder
150	532 43 97-74 Air Duct
151	532 43 66-70 Bracket Pivot Hood
152	532 43 98-70 Shield Browning
159	817 00 06-12 Screw Hexwsh Thrd 3/8-16 x 3/4
161	532 43 97-81 Con. Fuel Window Husq. Tex LT
162	532 14 24-32 Screw
165	532 19 68-26 Support Tank Rear w/Tex
175	532 19 63-04 Crossmember
176	532 40 07-76 Screw 10-24 x 5/8
177	532 19 52-27 Bushing Steering
178	532 19 97-82 Cargo Asm. Net TXGT w/Clips
180	532 19 54-57 Chassis
181	532 43 97-46 Bushing Mtg. Fender Crgo
182	532 40 68-59 Dash Lower
183	874 52 05-20 Bolt 5/16-18 x 1-1/4
191	532 43 74-55 Insert Reflective RH

KEY PART NO. NO.	DESCRIPTION
194	873 90 05-00 Nut Lock Hex Flange 5/16-18
195	532 40 41-37 Plug Hole Dash Lower
196	532 43 96-47 Console Asm. Deck Lift
198	532 44 15-52 Indicator Deck Lift
202	532 43 97-28 Vent Side Hood RH
203	532 43 97-27 Vent Side Hood LH
204	532 43 57-14 Vent Top Hood
205	532 43 97-30 Skirt Hood Side RH Trim
206	532 43 97-29 Skirt Hood Side LH Trim
207	532 43 97-34 Bezel RH
208	532 43 97-35 Bezel LH
213	874 76 05-12 Bolt 5/16-18 x 3/4
214	532 19 91-45 Clip Retainer Tinner
217	532 40 91-67 Rod Pivot
218	532 19 63-95 X-Piece Hood Stop
228	532 19 51-61 Stud Fastner
234	532 40 47-42 Bumper Hood
235	532 40 61-29 Spacer Fender
236	873 93 05-00 Nut Lock 5/16-18 unc
287	817 60 04-06 Screw 1/4-20 x 3/8
297	532 43 74-56 Insert Reflective LH
335	532 44 82-04 Cover Lower Dash RH
336	532 44 53-09 Cover Lower Dash LH GT2
350	532 44 51-43 Clip X-mas Tree

NOTE: All component dimensions given in U.S. inches
1 inch = 25.4 mm

TRACTOR - - MODEL NUMBER YTH22K42 (96048003201), PRODUCT NO. 960 48 00-32
DRIVE



drive-tex_K46_pedal_81_r1

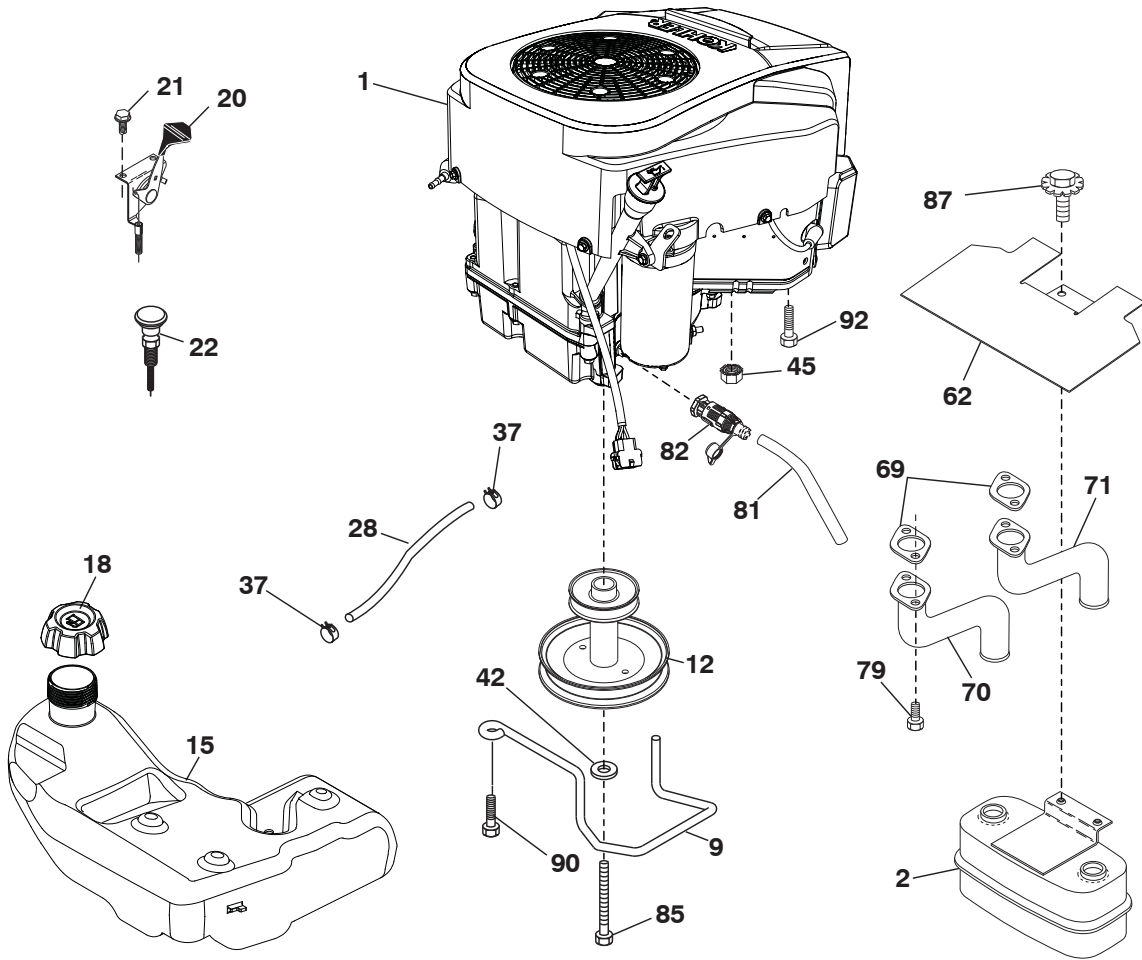
**TRACTOR - - MODEL NUMBER YTH22K42 (96048003201), PRODUCT NO. 960 48 00-32
DRIVE**

KEY NO.	PART NO.	DESCRIPTION
1	---	Transaxle, Tufftorq K46BT(426120) (Order parts from transaxle manufacturer.)
2	532 12 35-83	Key Square
15	819 13 13-16	Washer 13/32 x 13/16 x 16 Ga.
17	532 41 36-78	Spring, Brake
26	532 19 96-79	Spring Return Cruise
29	532 40 38-06	Rod, Brake
33	812 00 00-01	Ring E
35	532 43 54-86	Rod, Brake, Park
42	532 12 48-72	Cover, Foot Pedal
49	872 11 06-14	Bolt
50	532 19 43-27	Pulley Idler Flat
51	873 90 06-00	Lock Nut 3/8-16
52	532 19 43-26	Idler V-Groove
56	532 13 09-69	V-Belt, Drive
64	532 19 78-65	Shaft Asm. Pedal Brake Control
73	874 49 05-40	Bolt Hex 5/16-18 x 2-1/2 Gr. 5
80	532 44 06-19	Strap Torque
92	874 76 05-20	Bolt Fin Hex 5/16-18 unc x 1.25
99	532 41 57-42	Rod Spring Bypass
116	873 90 05-00	Nut Lock Hex Flange 5/16-18
125	817 00 05-12	Screw 5/16-18 x 3/4
143	817 49 05-08	Screw 5/16-18 x 1/2
153	532 12 47-88	Retainer Spring 1"
159	876 02 04-12	Pin Cotter 1/8 x 3/4
160	532 16 94-84	Retainer Clip
161	532 10 57-09	Spring, Return, Clutch
163	532 44 82-75	Rod Control
166	532 42 91-64	Nut Push
167	532 40 52-57	Latch Brake Parking

KEY NO.	PART NO.	DESCRIPTION
170	532 19 43-22	Keeper V-Idler
171	872 11 06-16	Bolt Rdhd. Sq. NK 3/8-16 unc x 2
183	532 13 70-57	Spacer Axle
184	532 44 14-55	Handle Parking Brake
185	872 11 06-22	Bolt
186	532 19 43-21	Spacer Retainer
187	819 13 32-10	Washer
188	532 19 43-23	Link Clutch Ground Drive
189	532 19 43-17	Bellcrank Ground Drive
190	532 19 43-18	Keeper Bellcrank Ground Drive
205	532 12 17-48	Washer 25/32 x 1-5/8 x 16 Ga.
206	532 19 78-67	Bracket Mount Latch Cruise
207	532 19 78-68	Latch Control Cruise
208	532 19 78-69	Gear Sector Control Cruise
209	532 19 95-92	Rod Control Cruise
210	532 40 09-80	Rocker Asm. Pedal Control
211	532 12 01-83	Bearing Nylon
213	532 40 31-19	Knob Control Cruise
214	532 42 12-63	Pedal Forward Pad
215	532 40 17-23	Pedal Reverse
216	532 19 61-31	Bracket Pulley Idler
221	532 40 31-87	Retainer Spring Clip Handle
222	879 21 20-10	Washer 21/32 x 1-1/4 10 Ga.
225	532 40 33-19	Keeper Belt Transaxle
226	532 40 15-64	Bracket Mount Torque
227	817 49 05-12	Screw Thdrol 5/16-18 x 3/4
230	532 18 89-67	Washer Harden .793 x 1.637 x 060

NOTE: All component dimensions given in U.S. inches
1 inch = 25.4 mm

**TRACTOR - - MODEL NUMBER YTH22K42 (96048003201), PRODUCT NO. 960 48 00-32
ENGINE**



29
SPARK ARRESTER KIT

Engine-tex_Kohl-2cyl_13_r1

KEY NO.	PART NO.	DESCRIPTION
1	-----	Engine Kohler Model No. SV715-3028 (438341) (Order parts from engine manufacturer.)
2	532 44 59-62	Muffler
9	532 19 43-20	Keeper Belt Engine
12	532 40 54-71	Pulley Engine
15	532 43 80-80	Tank Fuel
18	532 43 92-08	Cap Asm
20	532 18 29-37	Control Throttle
21	532 41 63-58	Screw # 10 x 0.750
22	532 19 15-96	Control Choke Ergo
28	532 13 70-40	Fuel Line
29	532 13 71-80	Spark Arrester Kit
37	532 12 34-87	Clamp Hose
42	810 04 07-00	Washer Lock 7/16
45	873 51 04-00	Nut Keps Hex 1/4-20 unc
62	532 43 40-17	Shield Heat Muffler
69	532 18 60-54	Gasket
70	532 14 66-99	Pipe Exhaust LH

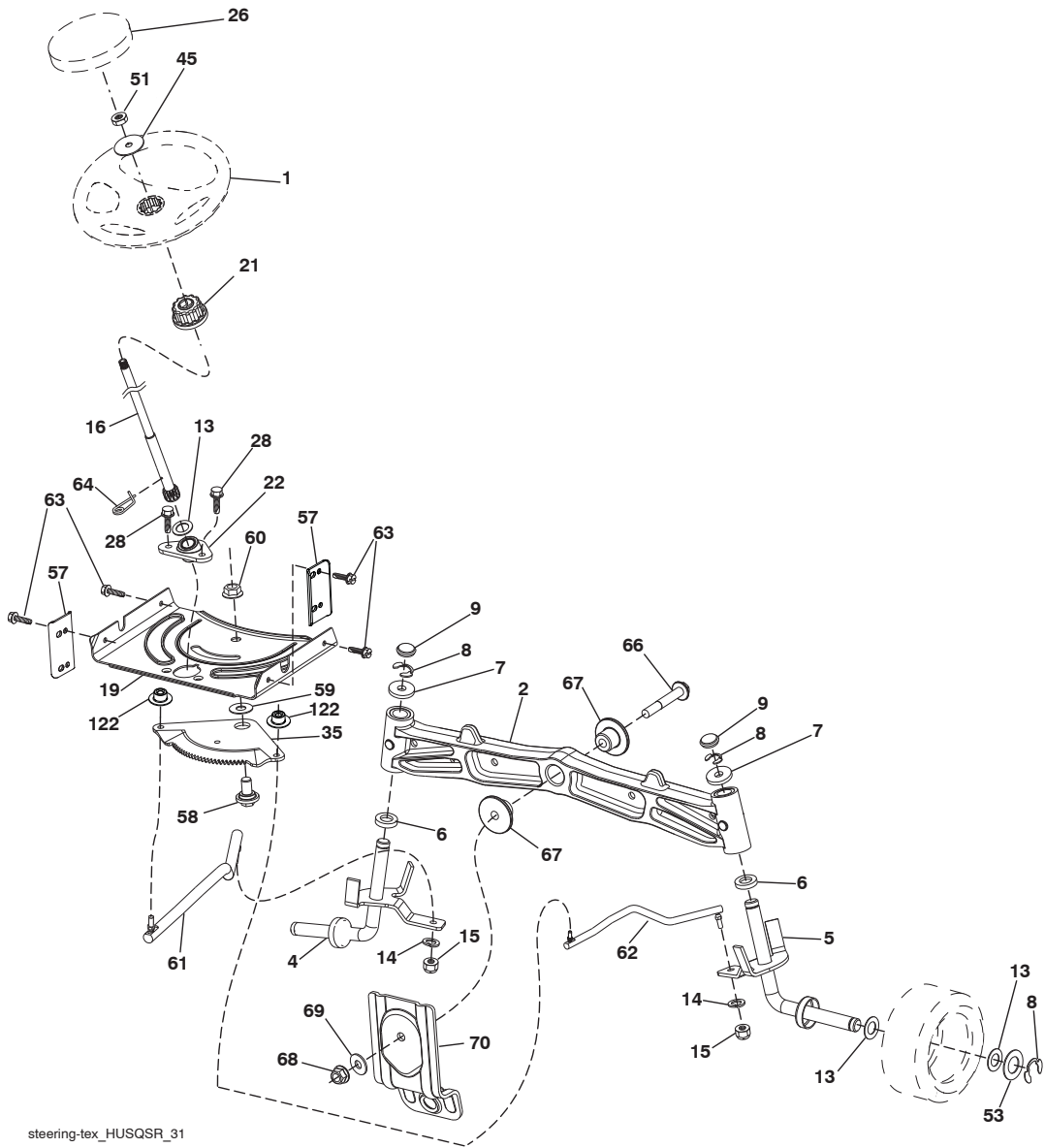
KEY NO.	PART NO.	DESCRIPTION
71	532 14 67-00	Pipe Exhaust RH
79	532 19 23-34	Screw Socket
81	532 14 84-56	Tube Drain Oil Easy
82	532 42 82-87	Valve Oil Drain
85	532 17 39-37	Bolt Hex 7/16-20 x 4 x Gr. 5-1.5 Thr
87	537 17 18-77	Bolt 5/16-18 unc x 3/4 w/Sems
90	817 00 06-16	Screw 3/8-16 x 1
92	817 12 06-16	Screw 3/8-16 x 1

NOTE: All component dimensions given in U.S. inches.
1 inch = 25.4 mm

For engine service and replacement parts, call the toll free number for your engine manufacturer listed below:

Kohler Co. 1-800-544-2444

**TRACTOR - - MODEL NUMBER YTH22K42 (96048003201), PRODUCT NO. 960 48 00-32
STEERING ASSEMBLY**



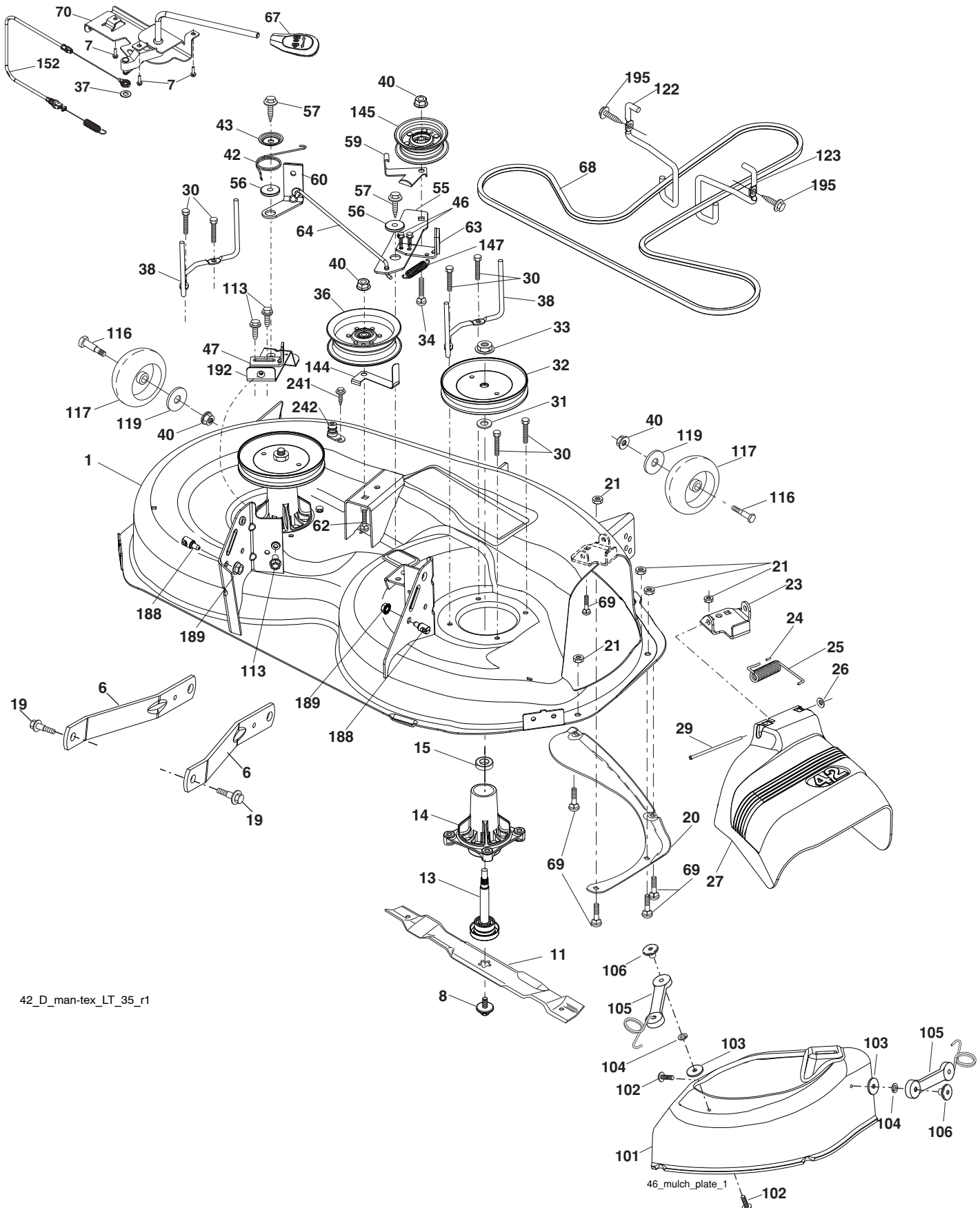
steering-tex_HUSQSR_31

KEY PART NO.	NO.	DESCRIPTION
1	532 43 97-40	Wheel, Steering
2	532 19 59-68	Axle Cast Iron
4	532 40 30-87	Spindle Asm., LH
5	532 40 30-88	Spindle Asm., RH
6	532 12 49-31	Washer, Thrust
7	532 12 17-48	Washer 25/32 x 1-5/8 x 16 Ga.
8	812 00 00-29	Ring, Klip #T5304-75
9	532 12 12-32	Cap, Spindle
13	532 12 17-49	Washer 25/32 x 1-1/4 x 16 Ga.
14	810 04 06-00	Washer, Lock Hvy Hlcl Spr 3/8
15	873 54 06-00	Nut, Crown Lock 3/8-24 unf
16	532 40 82-19	Shaft Steering
19	532 19 47-29	Plate Steering
21	532 18 67-37	Adapter, Wheel Steering
22	532 42 05-37	Steering Support Lower
26	532 43 97-43	Insert, Wheel Steering
28	817 00 06-12	Screw 3/8-16 x 3/4
35	532 19 47-32	Gear, Sector Plate
45	819 18 38-12	Washer 9/16 ID x 2-3/8 OD 12 Ga.

KEY PART NO.	NO.	DESCRIPTION
51	873 94 08-00	Nut Hex Jam Toplock 1/2-20 unf
53	532 18 89-67	Washer Hardened .793x1.637x.060
57	532 40 74-65	Bracket Upstop
58	532 19 47-47	Bolt Shoulder Sector Pivot CFM
59	532 19 47-48	Washer Thrust Sector Steering
60	873 97 10-00	Nut Flange Lock 5/8-11
61	532 19 47-40	Draglink, LH
62	532 19 47-41	Draglink, RH
63	817 00 05-12	Screw 5/16-18 x 3/4
64	532 19 98-49	Retainer Clip Spring Steering
66	871 02 07-48	Bolt Hex Fghd 7/16-14 x 3 Serr
67	532 19 47-37	Bushing PM Front Axle
68	873 90 07-00	Nut Lock Flange 7/16-14 Gr. 5
69	532 19 91-62	Washer 1.5 x .505 x .118
70	532 19 61-97	Bracket Deck Susp. Front
122	532 44 49-62	Cap Gear Sector Tex

NOTE: All component dimensions given in U.S. inches
1 inch = 25.4 mm

**TRACTOR - - MODEL NUMBER YTH22K42 (96048003201), PRODUCT NO. 960 48 00-32
MOWER DECK**



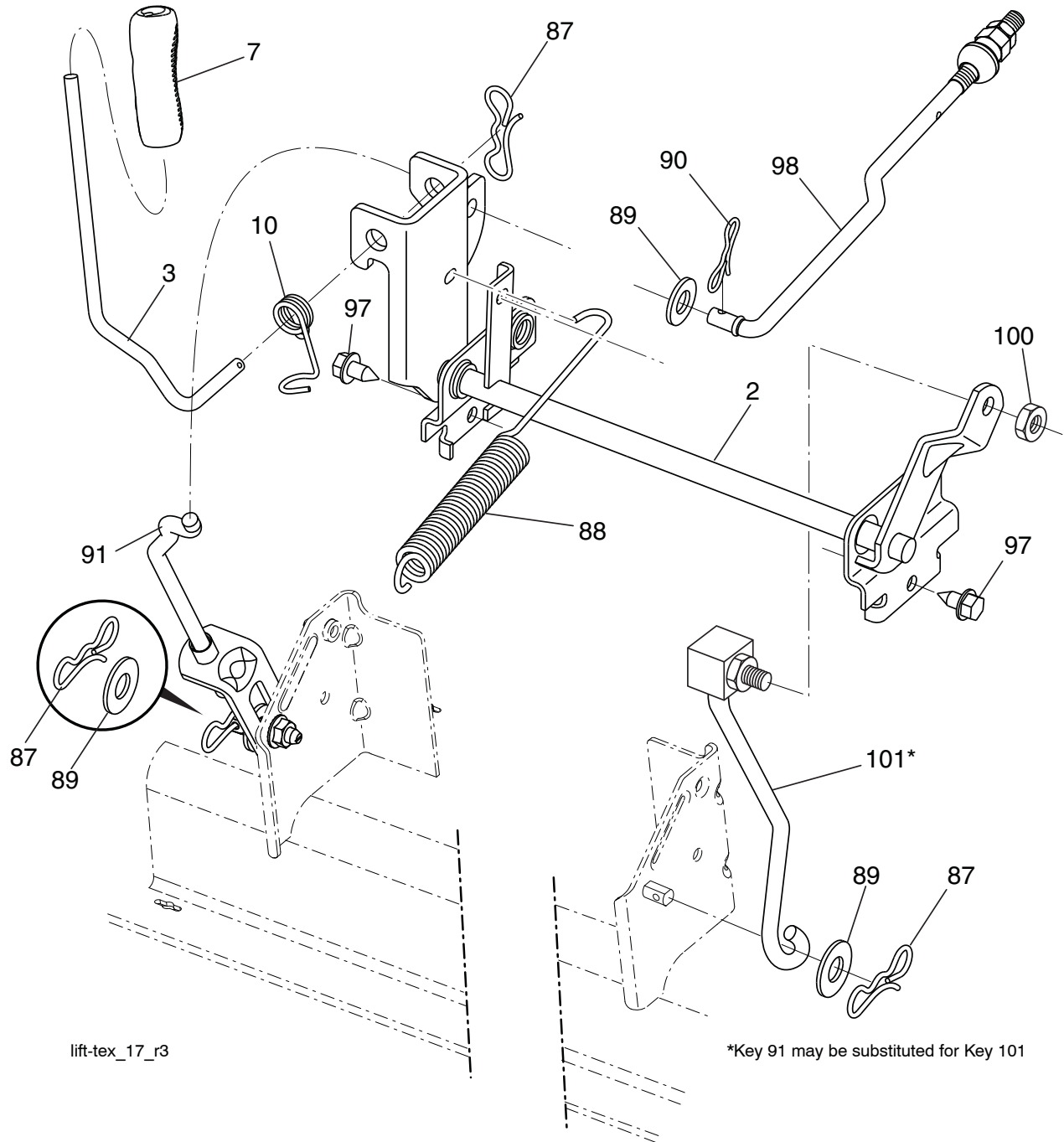
42_D_man-tex_LT_35_r1

**TRACTOR - - MODEL NUMBER YTH22K42 (96048003201), PRODUCT NO. 960 48 00-32
MOWER DECK**

KEY NO.	PART NO.	DESCRIPTION	KEY NO.	PART NO.	DESCRIPTION
1	532 44 79-36	Mower Housing	64	532 19 99-18	Linkage Brake
6	532 19 51-86	Arm Suspension	67	532 40 30-12	Handle, Clutch Cable
7	532 41 63-58	Screw # 10 x 0.750	68	532 42 96-36	V-Belt
8	532 19 30-03	Bolt/Washer asm 7/16-20 unf	69	872 14 05-05	Bolt
11	532 13 89-71	Blade Mower Hi Lift	70	532 19 99-72	Clutch Asm. Cable
13	532 19 28-72	Shaft Assembly, Mandrel	101	532 19 31-07	Cover Mulching
14	532 18 72-81	Housing, Mandrel	102	871 08 10-10	Screw Pan HD 10-24 x 5/8
15	532 11 04-85	Bearing, Ball, Mandrel	103	819 06 12-16	Washer #10
19	532 19 65-39	Bolt, Shoulder	104	810 07 10-00	Washer Lock #10
20	532 15 97-70	Baffle Vortex 42 Std/Heavy	105	532 16 07-93	Latch Asm.
21	873 68 05-00	Nut	106	532 12 50-04	Nut Weld .327/.304 #10-24
23	532 19 25-57	Bracket, Deflector	113	817 00 05-10	Screw 5/16-18
24	532 10 53-04	Cap, Sleeve	116	532 19 34-06	Bolt, Shoulder
25	532 19 70-26	Spring, Torsion, Deflector	117	532 17 48-73	Wheel, Gauge
26	532 11 04-52	Nut, Push	119	819 13 20-12	Washer 13/32 x 1-1/4 x 12 Ga.
27	532 40 30-04	Shield, Deflector	122	532 19 72-58	Keeper Belt Eng. LH
29	532 13 14-91	Rod, Hinge	123	532 19 72-59	Keeper Belt Eng. RH
30	532 17 39-84	Screw Thdrol Rolling Wsh Hd	144	532 19 92-04	Keeper Belt
31	532 18 76-90	Washer, Spacer	145	532 19 31-97	Pulley Idler
32	532 19 74-73	Pulley, Mandrel	147	532 40 19-71	Spring Return
33	532 40 02-34	Nut, Toplock, Flanged	152	532 43 51-10	Cable Clutch Manual w/Spr.
34	872 11 06-12	Bolt Carr Sh. 3/8-16 x 1-1/2 Gr. 5	188	532 19 51-61	Stud Fastener
36	532 19 73-79	Pulley, Idler, Flat	189	873 90 05-00	Nut Lock Hex Flange
37	819 13 13-16	Washer 13/32 x 13/16 x 16 Ga.	192	532 19 72-60	Bracket Brake Stand 2H
38	532 43 25-20	Keeper Belt Mandrel	195	817 00 06-12	Screw 3/8-16 x 3/4
40	873 90 06-00	Nut, Lock Flg. 3/8-16 unc	241	532 15 29-27	Screw
42	532 19 84-10	Spring Torsion Brake	242	532 41 55-98	Washout Port
43	532 19 72-56	Spring Torsion Retainer	--	532 41 64-05	Quick Connect Coupling
46	532 13 77-29	Screw	--	532 19 28-70	Mandrel Assembly (Includes housing, shaft assembly, and bearing only - pulley/nut/washer and blade bolt/washers not included)
47	532 19 72-50	Bracket Clutch Cable	--	532 44 78-93	Replacement Mower, Complete
55	532 43 71-10	Arm, Idler			
56	532 19 90-92	Spacer, Retainer			
57	817 00 06-16	Screw Hexwsh Thd 3/8-16 x 1			
59	532 14 10-43	Guard, Tuv Idler (94)			
60	532 19 72-61	Arm Brake Mower LH			
62	872 11 06-16	Bolt Rd Hd Sq Nk 3/8-16			
63	532 19 94-77	Arm Brake Mower			

NOTE: All component dimensions given in U.S. inches
1 inch = 25.4 mm

**TRACTOR - - MODEL NUMBER YTH22K42 (96048003201), PRODUCT NO. 960 48 00-32
MOWER LIFT**

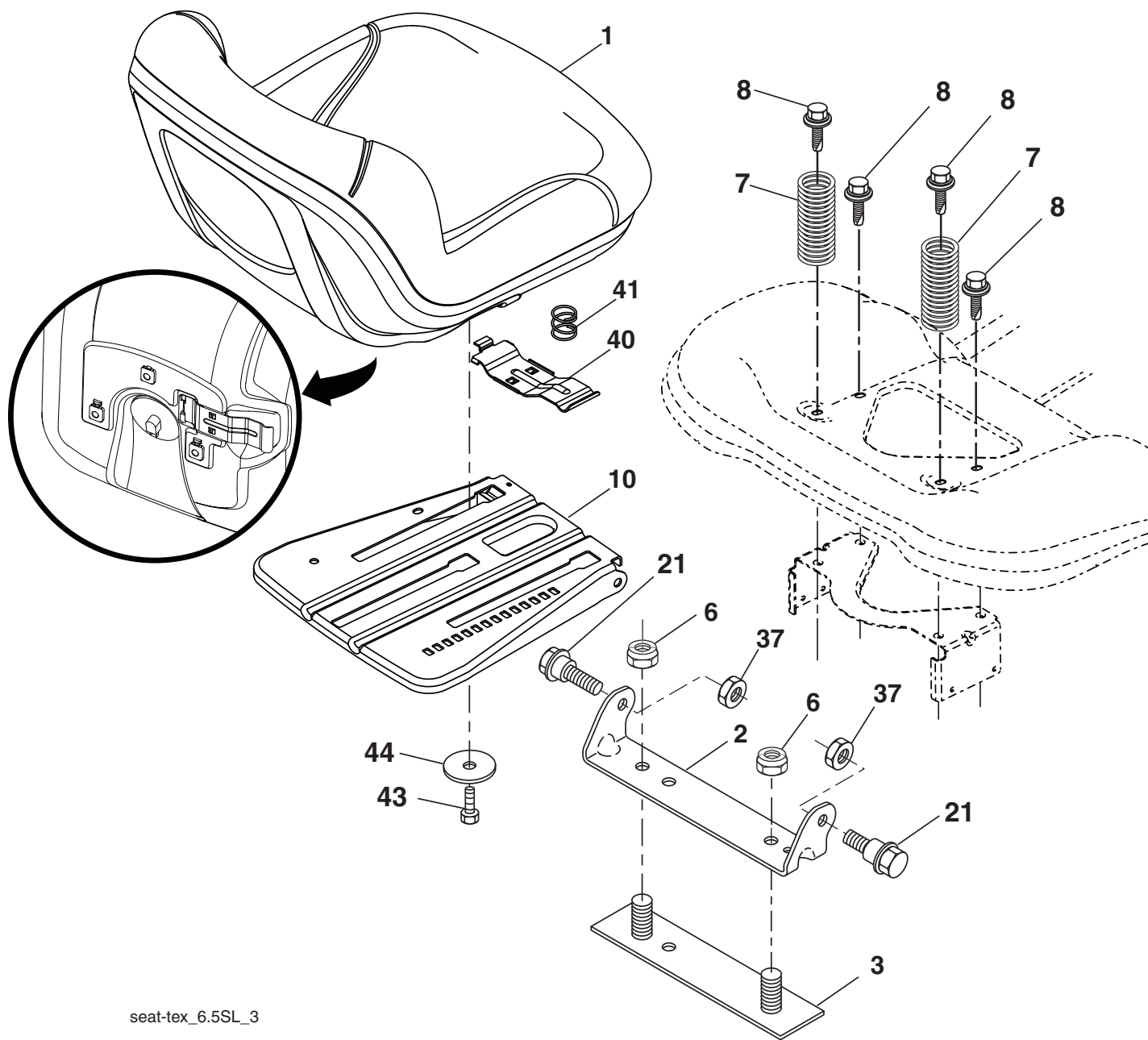


KEY PART NO.	NO.	DESCRIPTION
2	532 42 20-27	Shaft Asm., Lift
3	532 19 52-31	Lever Asm., Lift RH
7	580 96 23-01	Grip, Lever
10	532 19 63-14	Spring Torsion
87	532 19 42-09	Pin Cotter 7/16 Bow Tie Lock
88	532 41 07-10	Spring Lift Assist
89	819 19 19-12	Washer Clear Zinc
90	532 19 42-08	Pin Cotter 5/16 Bow Tie Lock
91	532 19 51-81	Link Lift Susp Mower Rear

KEY PART NO.	NO.	DESCRIPTION
97	817 00 06-12	Screw 3/8-16 x .75 Smgml Tap/R.Z
98	532 19 52-70	Link Lift Susp. Front Mower
100	873 93 06-00	Nut Center Lock 3/8-16 unc
101	532 40 70-03	Link Asm Lift Fixed

NOTE: All component dimensions given in U.S. inches
1 inch = 25.4 mm

**TRACTOR - - MODEL NUMBER YTH22K42 (96048003201), PRODUCT NO. 960 48 00-32
SEAT ASSEMBLY**



seat-tex_6.5SL_3

**KEY PART
NO. NO.**

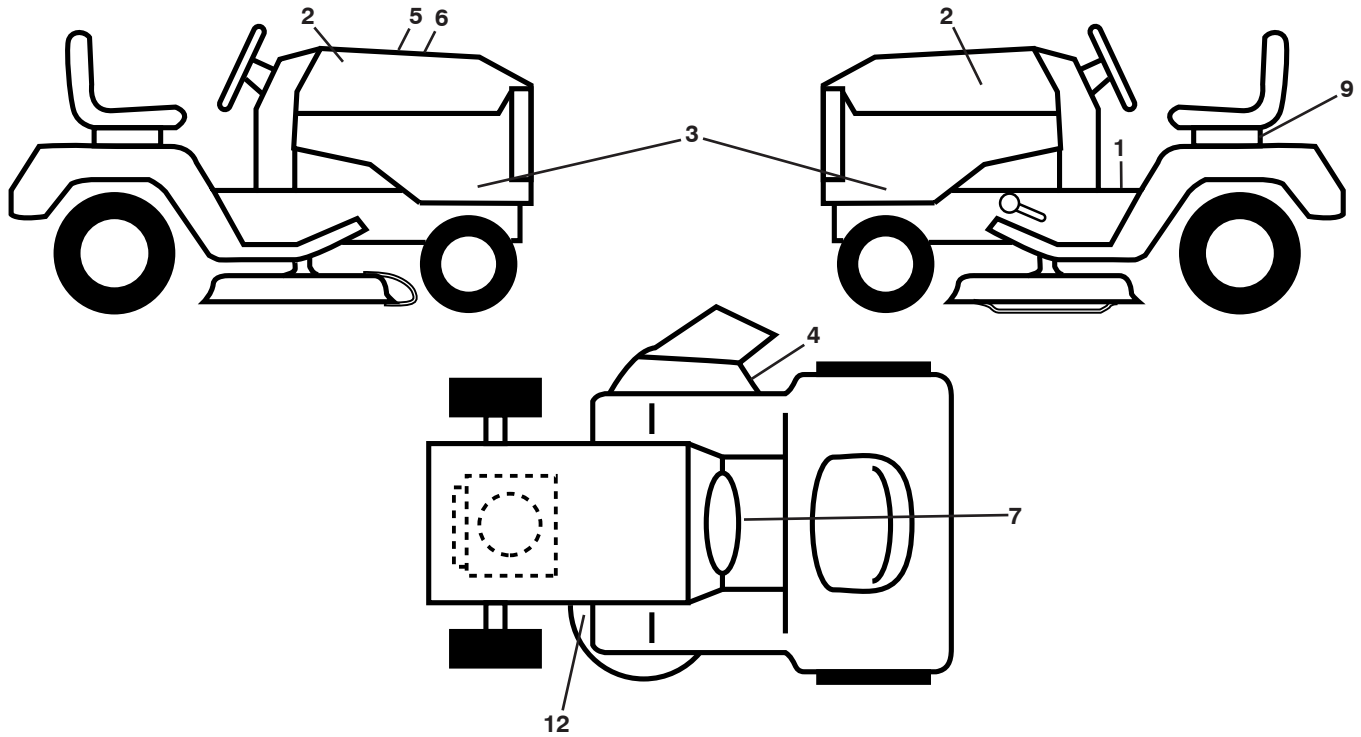
KEY PART NO.	NO.	DESCRIPTION
1	532 43 98-22	Seat
2	532 18 01-66	Bracket Pivot Fender
3	532 14 06-75	Strap, Asm Fender
6	873 80 06-00	Nut, Lock w/Ins. 3/8-16 unc
7	532 12 41-81	Spring, Seat Cprsn
8	532 17 18-77	Bolt 5/16-18 unc x 3/4 w/Sems
10	532 19 69-77	Pan, Seat
21	532 17 18-52	Bolt, Shoulder 5/16-18

**KEY PART
NO. NO.**

KEY PART NO.	NO.	DESCRIPTION
37	873 80 05-00	Nut, Lock 5/16-18 unc
40	532 43 98-71	Handle Slide Seat
41	532 19 82-00	Spring Latch Seat
43	874 76 06-12	Bolt Fin Hex 3/8-16 unc x 3/4
44	819 13 38-12	Washer 13/32 x 2-3/8 x 12 Ga.

NOTE: All component dimensions given in U.S. inches
1 inch = 25.4 mm

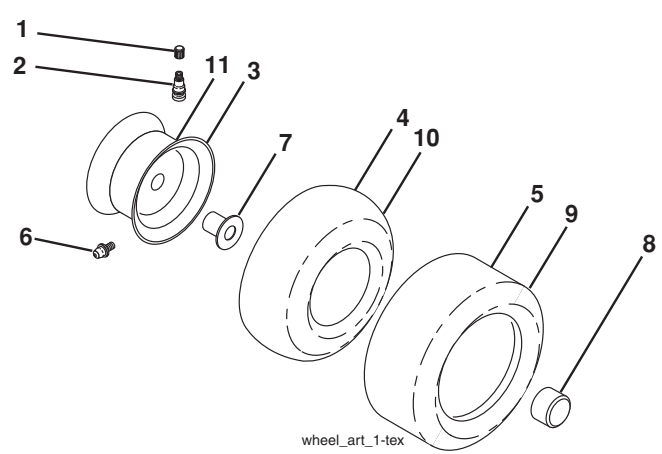
**TRACTOR - - MODEL NUMBER YTH22K42 (96048003201), PRODUCT NO. 960 48 00-32
DECALS**



KEY NO.	PART NO.	DESCRIPTION
1	532 41 16-58	Decal, Fender Warning
2	532 42 91-96	Decal, Hood
3	532 44 70-17	Decal, Hood Panel SD
4	532 17 05-63	Decal, Mower Warning
5	532 42 38-29	Decal, Customer Respons.
6	532 44 68-08	Decal, Replacement
7	532 43 52-86	Decal, Warning Spark Arrestor

KEY NO.	PART NO.	DESCRIPTION
9	532 14 50-05	Decal, Battery Dnge/Poi
12	532 16 03-96	Decal, Mower V-Belt Schematic
--	532 16 69-60	Decal, Bypass
--	532 43 96-81	Pad, Footrest, LH
--	532 43 96-82	Pad, Footrest, RH
--	115 53 05-27	Manual, Operator's (English/French)
--	581 55 31-27	Manual, Part's (English/French)

WHEELS AND TIRES



KEY NO.	PART NO.	DESCRIPTION
1	532 05 91-92	Cap Valve Tire
2	532 06 51-39	Stem Valve
3	532 13 83-36	Rim Front
4	532 05 99-04	Tube Front (Service Item Only)
5	532 10 62-22	Tire Front 15 x 6.0-6
6	532 12 49-57	Fitting Grease (Front Wheel Only)
7	532 12 49-59	Bearing Flange (Front Wheel Only)
8	532 17 50-39	Cap Axle Blk 1 50 x 1 00
9	532 13 84-68	Tire
10	532 12 49-26	Tube Rear (Service Item Only)
11	532 13 83-37	Rim Asm 8" Rear
--	532 14 43-34	Sealant, Tire (10 oz. Tube)

NOTE: All component dimensions given in U.S. inches
1 inch = 25.4 mm

08/31/2012 JM