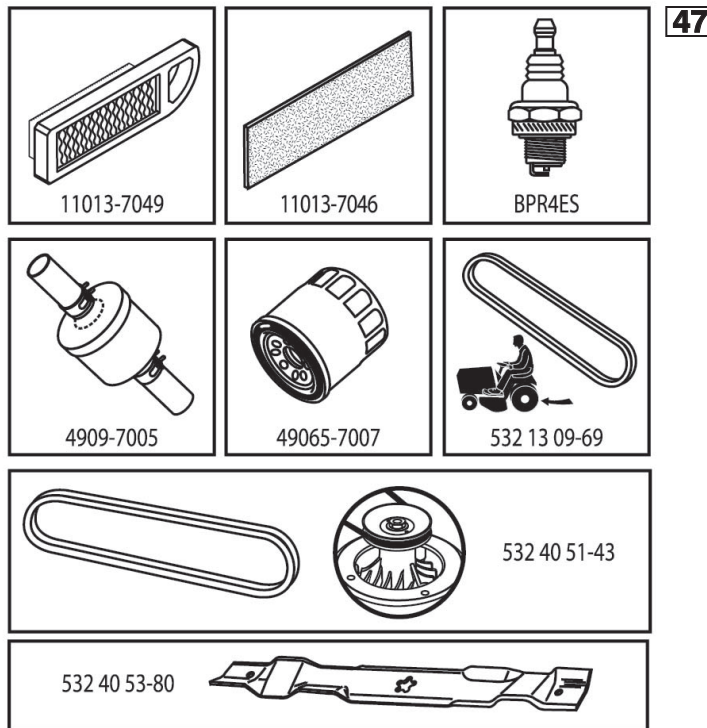


# ILLUSTRATED PARTS LIST

**MFG. ID NO. 96041030900**

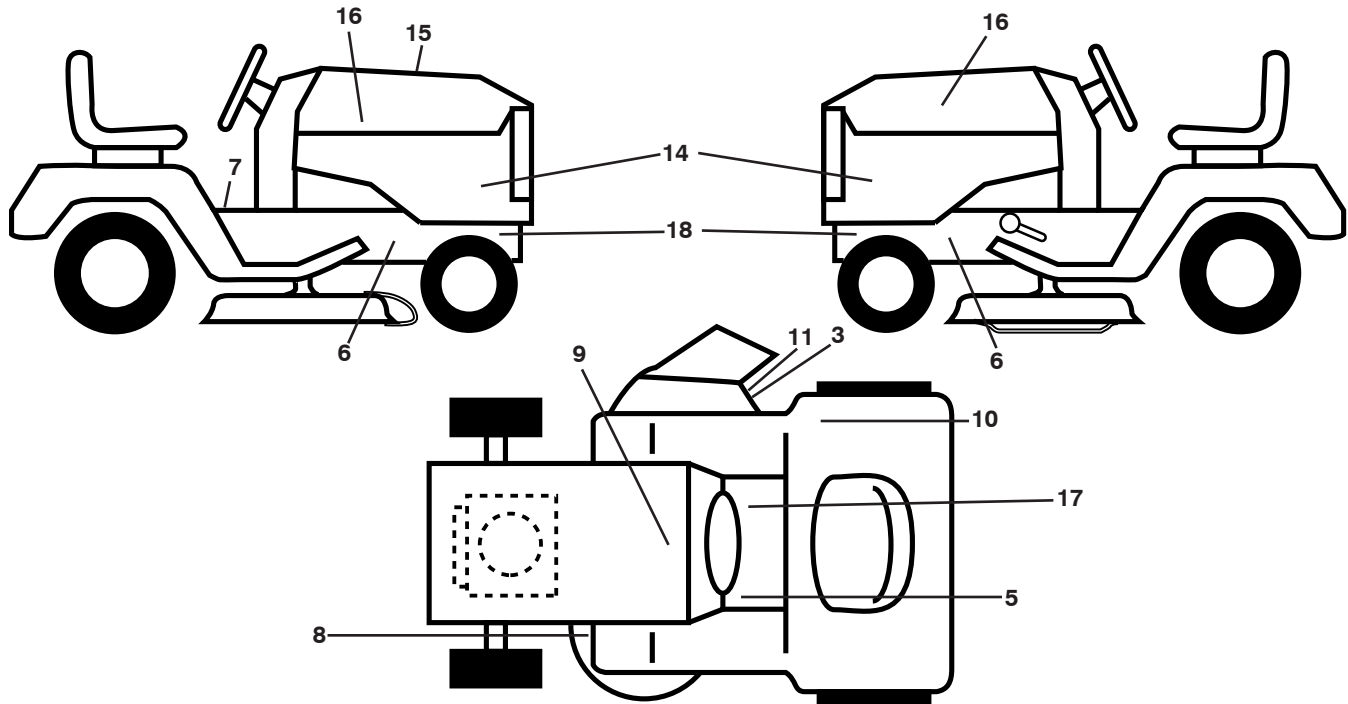
**CUSTOMER CATALOG NO. YTH 224T**

**PRODUCT NO. 960 41 03-09**



581517401

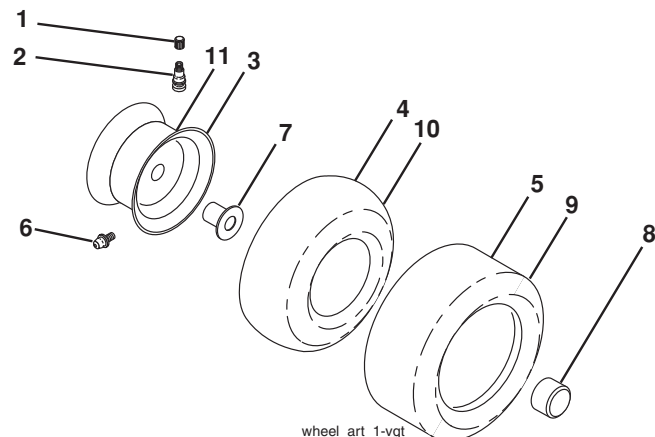
**TRACTOR - - MODEL NO. YTH 224T (96041030900), PRODUCT NO. 960 41 03-09  
DECALS 27**



| KEY NO. | PART NO.     | DESCRIPTION              |
|---------|--------------|--------------------------|
| 3       | 581 57 92-01 | Decal, Warning           |
| 5       | 581 72 40-01 | Decal, Brake Pedal       |
| 6       | 581 57 98-01 | Decal, Warning           |
| 7       | 581 57 81-01 | Decal, Warning Symbols   |
| 8       | 581 58 00-01 | Decal, Mower Sch.        |
| 9       | 532 14 50-05 | Decal, Battery Dan./Poi. |
| 10      | 581 72 41-01 | Decal, Certification     |
| 11      | 581 57 91-01 | Decal, Hand/Foot Sym.    |
| 14      | 532 44 63-77 | Decal, Panel Side        |
| 15      | 581 51 74-01 | Decal, Replacement Parts |

| KEY NO. | PART NO.     | DESCRIPTION                |
|---------|--------------|----------------------------|
| 16      | 581 62 73-01 | Decal, Hood Logo           |
| 17      | 581 57 80-01 | Decal, Park Brake          |
| 18      | 581 57 96-01 | Decal, Chassis Hot Muffler |
| --      | 581 72 46-01 | Decal, Drawbar Load Limit  |
| --      | 581 72 48-01 | Decal, Bypass              |
| --      | 532 43 98-82 | Pad, Footrest, LH          |
| --      | 532 43 98-81 | Pad, Footrest, RH          |
| --      | 115 53 20-20 | Manual, Operator's (Euro)  |

**WHEELS AND TIRES**

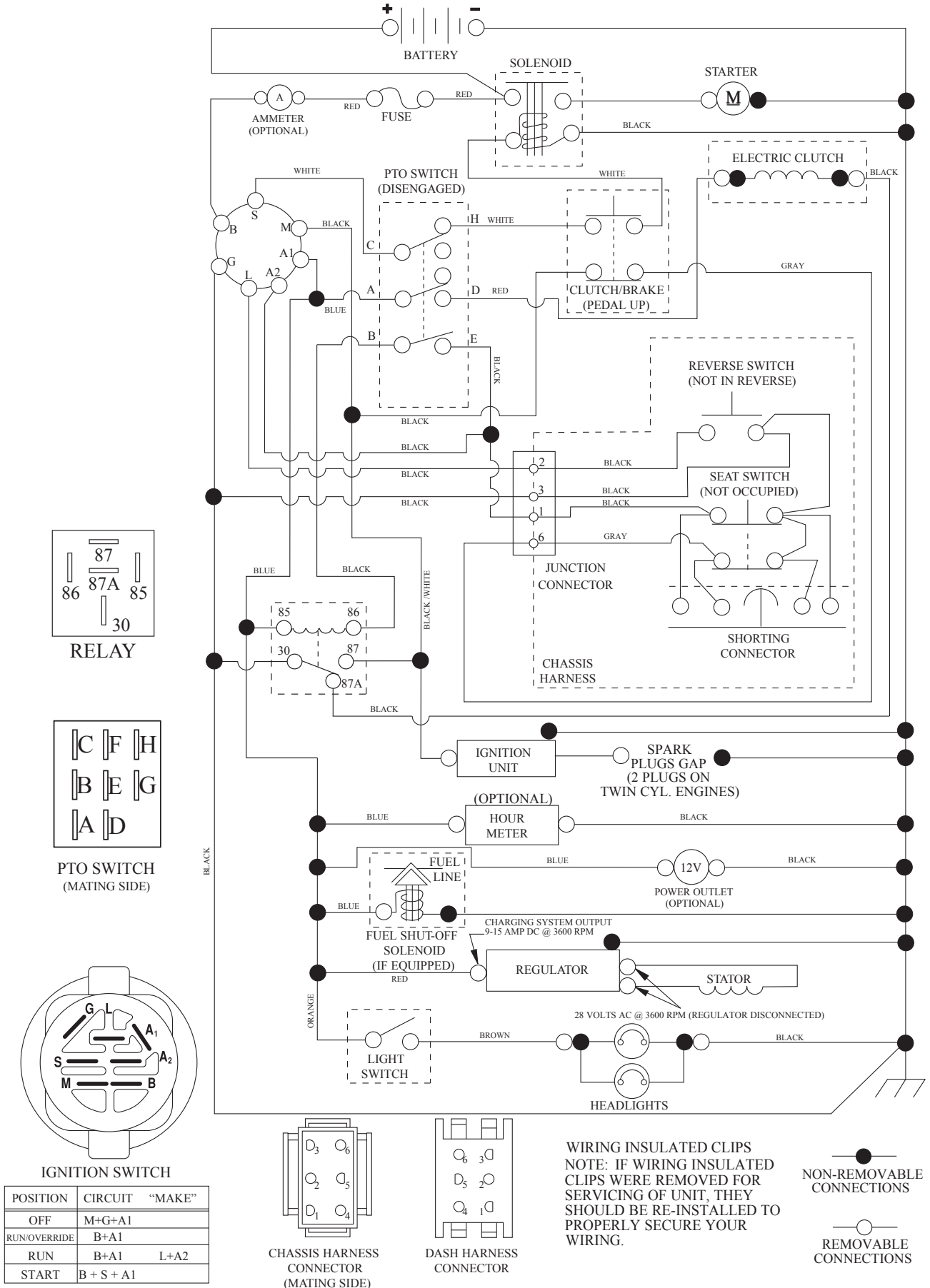


| KEY NO. | PART NO.     | DESCRIPTION                        |
|---------|--------------|------------------------------------|
| 1       | 532 05 91-92 | Cap, Valve, Tire                   |
| 2       | 532 06 51-39 | Stem, Valve                        |
| 3       | 532 13 83-36 | Rim Assembly, Front                |
| 4       | 532 05 99-04 | Tube, Front (Service Item Only)    |
| 5       | 532 10 62-22 | Tire, Front                        |
| 6       | 532 12 49-57 | Fitting, Grease (Front Wheel Only) |
| 7       | 532 12 49-59 | Bearing, Flange (Front Wheel Only) |
| 8       | 532 17 50-39 | Cap, Axle (Front Wheel Only)       |
| 9       | 532 12 20-82 | Tire, Rear                         |
| 10      | 532 12 49-26 | Tube, Rear (Service Item Only)     |
| 11      | 532 13 83-37 | Rim Assembly, Rear                 |
| --      | 532 14 43-34 | Sealant, Tire (10 oz. Tube)        |

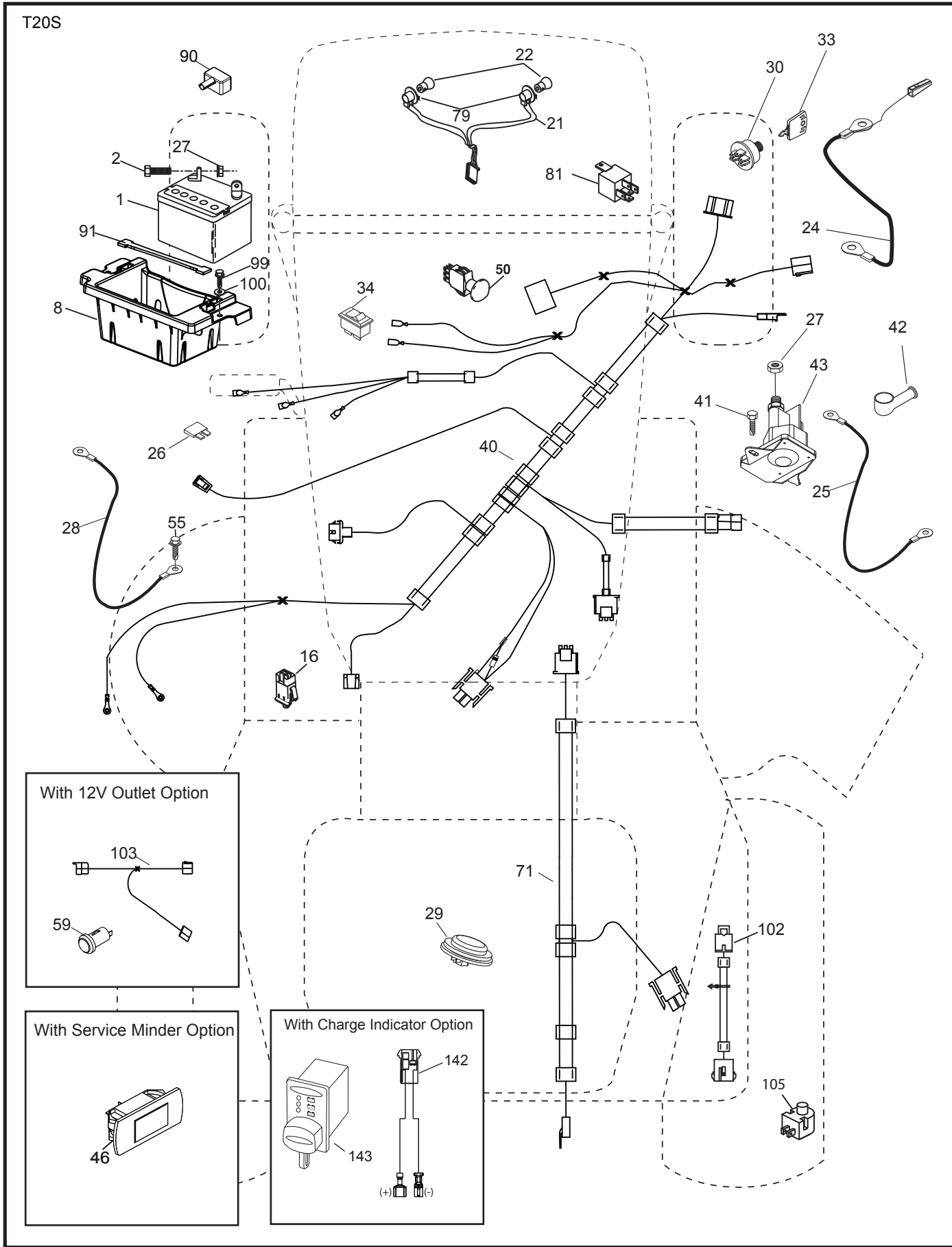
**NOTE:** All component dimensions given in U.S. inches  
1 inch = 25.4 mm

# TRACTOR - - MODEL NO. YTH 224T (96041030900), PRODUCT NO. 960 41 03-09 SCHEMATIC 38

SCH13



**TRACTOR - - MODEL NO. YTH 224T (96041030900), PRODUCT NO. 960 41 03-09  
ELECTRICAL 32**

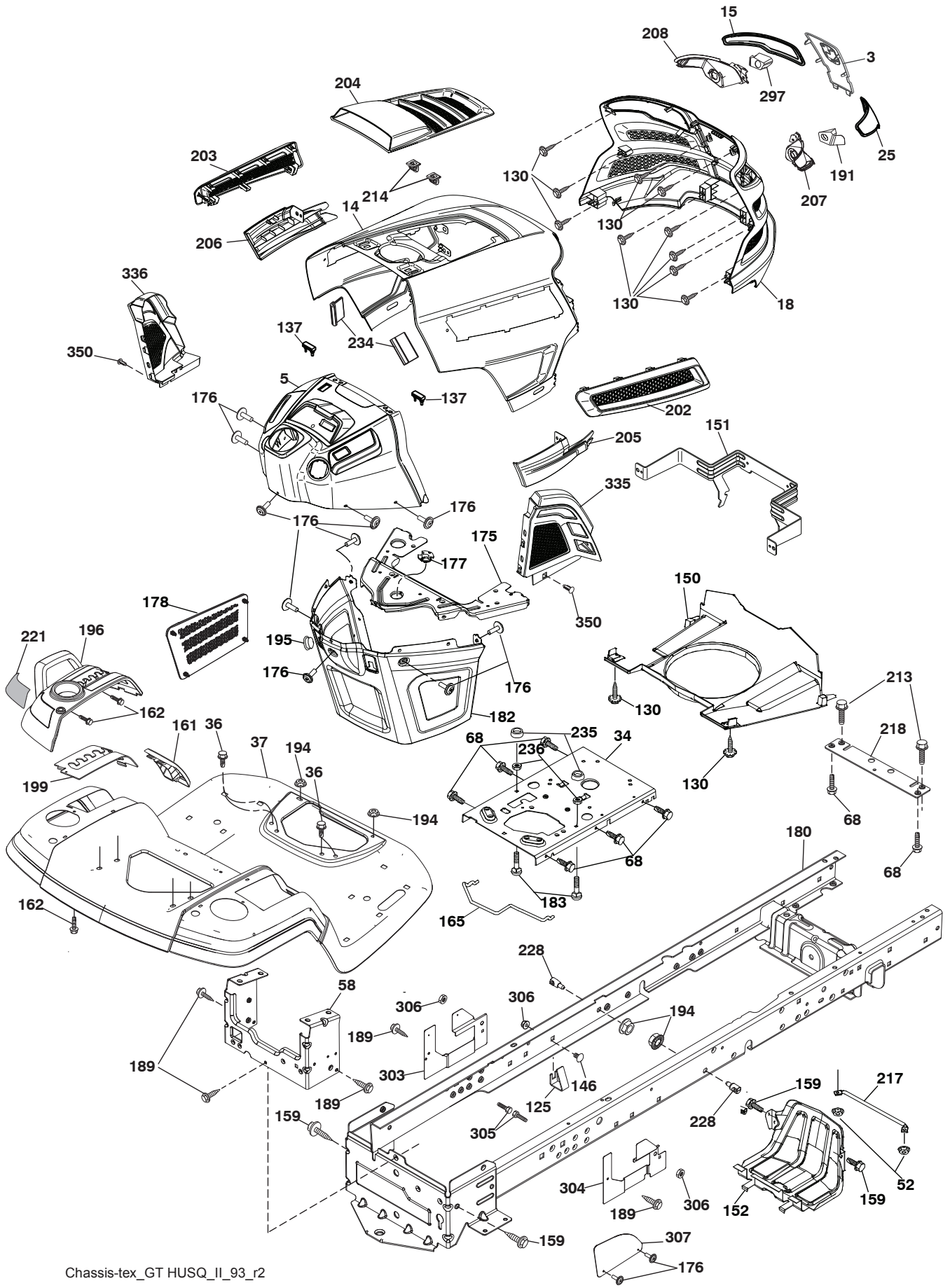


**TRACTOR - - MODEL NO. YTH 224T (96041030900), PRODUCT NO. 960 41 03-09  
ELECTRICAL 32**

| <b>KEY NO.</b> | <b>PART NO.</b> | <b>DESCRIPTION</b>                  |
|----------------|-----------------|-------------------------------------|
| 1              | 532 16 34-65    | Battery                             |
| 2              | 874 76 04-12    | Bolt Hex Hd. 1/4-20 unc x 3/4       |
| 8              | 532 18 64-91    | Battery Box                         |
| 16             | 532 17 61-38    | Switch Interlock                    |
| 21             | 532 40 02-52    | Harness Light w/4152J               |
| 22             | 532 00 41-52    | Bulb, Light # 1156                  |
| 24             | 532 40 02-53    | Cable Battery                       |
| 25             | 532 41 28-95    | Cable Starter                       |
| 26             | 532 17 51-58    | Fuse                                |
| 27             | 873 51 04 00    | Nut Keps Hex 1/4-20 unc             |
| 28             | 532 14 54-91    | Cable Ground                        |
| 29             | 532 40 15-45    | Switch Seat                         |
| 30             | 532 19 33-50    | Switch Ign.                         |
| 33             | 532 41 19-35    | Key/Chain                           |
| 34             | 532 11 07-12    | Switch Light/Reset                  |
| 40             | 581 02 28-01    | Harness Ign. Dash                   |
| 41             | 817 72 04-08    | Screw 1/4-20 x 1/2                  |
| 42             | 532 13 15-63    | Cover Terminal                      |
| 43             | 532 19 25-07    | Solenoid                            |
| 46             | 532 40 17-63    | Gauge Hourmeter                     |
| 50             | 532 17 46-51    | Switch PTO                          |
| 55             | 817 06 05-12    | Screw 5/16-18 x 3/4                 |
| 71             | 532 19 42-76    | Harness Ign. Chassis/Light          |
| 79             | 532 17 52-42    | Socket Asm. Bulb                    |
| 81             | 532 40 96-15    | Relay Harness                       |
| 90             | 532 43 53-95    | Cover Terminal Battery              |
| 91             | 532 19 02-70    | Strap Battery                       |
| 99             | 817 67 04-12    | Screw Hex Wsh. Thdrol. 1/4-20 x 3/4 |
| 100            | 819 09 14-16    | Washer 9/32 x 7/8 x 16 Ga.          |
| 102            | 532 40 44-54    | Harness Pigtail Tex ROS Tufftorq    |
| 105            | 532 40 75-68    | Switch Reverse                      |
| 142            | 532 44 80-57    | Charge Port Harness                 |

**NOTE:** All component dimensions given in U.S. inches  
1 inch = 25.4 mm

TRACTOR - - MODEL NO. YTH 224T (96041030900), PRODUCT NO. 960 41 03-09  
CHASSIS AND ENCLOSURES **39**



Chassis-tex\_GT HUSQ\_II\_93\_r2

**TRACTOR - - MODEL NO. YTH 224T (96041030900), PRODUCT NO. 960 41 03-09  
CHASSIS AND ENCLOSURES 39**

| KEY<br>NO. | PART<br>NO.  | DESCRIPTION                    | KEY<br>NO. | PART<br>NO.  | DESCRIPTION                    |
|------------|--------------|--------------------------------|------------|--------------|--------------------------------|
| 3          | 532 43 97-52 | Applique Sub Asm.              | 195        | 532 40 41-37 | Plug 12 V Adapter              |
| 5          | 532 43 74-84 | Dash                           | 196        | 532 43 97-16 | Console Asm. Deck Lift         |
| 14         | 532 44 11-77 | Hood                           | 199        | 532 19 82-59 | Plate Deck Lift                |
| 15         | 532 43 97-33 | Lens LH                        | 202        | 532 43 97-28 | Vent Side Hood RH              |
| 18         | 532 44 06-53 | Grille                         | 203        | 532 43 97-27 | Vent Side Hood LH              |
| 25         | 532 44 33-85 | Lens RH                        | 204        | 532 43 57-14 | Vent Asm. Hood Top             |
| 34         | 580 91 08-01 | Plate Engine                   | 205        | 532 43 97-30 | Skirt Hood Side RH             |
| 36         | 817 06 05-12 | Screw 5/16-18 x 3/4            | 206        | 532 43 97-29 | Skirt Hood Side LH             |
| 37         | 532 44 12-08 | Fender                         | 207        | 532 43 97-34 | Bezel RH                       |
| 52         | 873 68 05-00 | Nut Crownlock 5/16-18          | 208        | 532 43 97-35 | Bezel LH                       |
| 58         | 532 41 22-81 | Drawbar Upper                  | 213        | 874 76 05-12 | Bolt Hex Hd. 5/16-18 unc x 3/4 |
| 68         | 817 49 05-08 | Screw 5/16-18 x 1/2            | 214        | 532 19 91-45 | Clip Retainer                  |
| 125        | 581 68 48-01 | Clip Fuel Line                 | 217        | 532 40 91-67 | Rod Pivot                      |
| 130        | 532 41 63-58 | Screw #10 x 0.750              | 218        | 532 19 63-95 | Hood Stop                      |
| 137        | 532 40 75 90 | Bumper Dash                    | 221        | 532 19 89-09 | Reflector LH                   |
| 146        | 581 85 79-01 | Bolt                           | 228        | 532 19 51-61 | Stud Fastener                  |
| 150        | 532 43 97-74 | Duct Heat Hood                 | 234        | 532 40 47 42 | Bumper Hood                    |
| 151        | 532 43 66-70 | Pivot Bracket                  | 235        | 532 40 61 29 | Spacer Fender                  |
| 152        | 532 43 98-70 | Shield Browning/Debris         | 236        | 873 93 05-00 | Nut 5/16-18 unc                |
| 159        | 817 00 06-12 | Screw 3/8-16 x 3/4 BL          | 297        | 532 43 74 56 | Insert Reflective LH           |
| 161        | 532 43 99-29 | Console Fuel Window            | 303        | 532 42 09-59 | Shield Chassis Fren LH         |
| 162        | 532 14 24-32 | Screw Hex Wsh. Hi-Lo 1/4 x 1/2 | 304        | 532 42 15-09 | Shield Chassis Fren RH         |
| 165        | 532 19 68-26 | Bracket Support Tank           | 305        | 872 11 06-06 | Bolt 3/8-16 x 3/4              |
| 175        | 532 19 63-04 | Crossmember                    | 306        | 873 90 06-00 | Nut 3/8-16 unc                 |
| 176        | 532 40 07-76 | Screw #10-24 x 5/8             | 307        | 532 42 45-70 | Shield Upper Pedal             |
| 177        | 532 19 52-27 | Bushing Steering               | 335        | 532 44 82-04 | Lower Dash Cover RH            |
| 178        | 532 19 97-82 | Cargo Asm. Net                 | 336        | 532 44 53-09 | Lower Dash Cover LH            |
| 180        | 532 41 50-64 | Chassis                        | 350        | 532 44 51-43 | Clip X-mas Tree                |
| 182        | 532 40 68-59 | Dash Lower                     | - -        | 532 43 18-82 | Kit Guard Brush                |
| 183        | 874 52 05-20 | Bolt 5/16-18 unc x 1-1/4       |            |              |                                |
| 189        | 817 00 05-12 | Screw 5/16-18 x 3/4            |            |              |                                |
| 191        | 532 43 74-55 | Insert Reflective RH           |            |              |                                |
| 194        | 873 90 05-00 | Nut Lock Hex Flange 5/16-18    |            |              |                                |

**NOTE:** All component dimensions given in U.S. inches  
1 inch = 25.4 mm



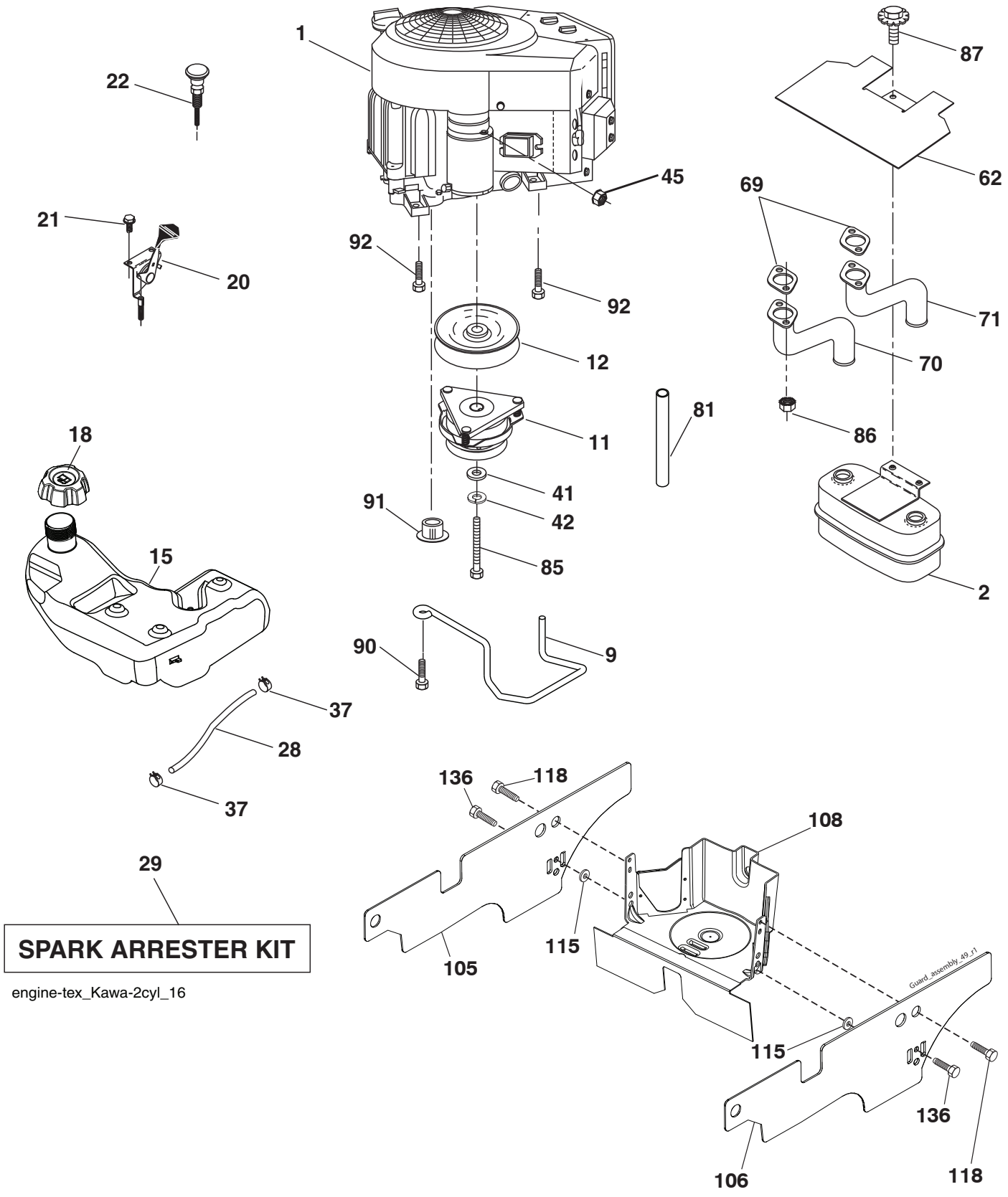




**TRACTOR - - MODEL NO. YTH 224T (96041030900), PRODUCT NO. 960 41 03-09  
DRIVE **40****

| KEY NO. | PART NO.     | DESCRIPTION   | KEY NO. | PART NO.     | DESCRIPTION                   |
|---------|--------------|---|---------|--------------|-------------------------------|
| 1       | ---          | Transaxle, TuffTorq K46BT (426120) (Order parts from transaxle manufacturer.) | 171     | 872 11 06-16 | Bolt                          |
| 2       | 532 12 35-83 | Key   | 183     | 532 13 70-57 | Spacer Axle                   |
| 15      | 819 13 13-16 | Washer 13/32 x 13/16 x 16 Ga.   | 184     | 532 44 14-55 | Handle Parking Brake          |
| 17      | 532 41 36-78 | Spring, Brake   | 185     | 872 11 06-22 | Bolt                          |
| 26      | 532 19 96-79 | Spring Return Cruise  | 186     | 532 19 43-21 | Spacer Retainer               |
| 29      | 532 40 38-06 | Rod, Brake  | 187     | 819 13 32-10 | Washer                        |
| 33      | 812 00 00-01 | Ring E  | 188     | 532 19 43-23 | Link Clutch Ground Drive      |
| 35      | 583 86 45-01 | Rod, Brake, Park  | 189     | 532 19 43-17 | Bellcrank Ground Drive        |
| 42      | 532 12 48-72 | Cover, Foot Pedal   | 190     | 532 19 43-18 | Keeper Bellcrank Ground Drive |
| 49      | 872 11 06-14 | Bolt  | 196     | 817 00 06-16 | Screw 3/8-16 x 1              |
| 50      | 532 19 43-27 | Pulley Idler Flat   | 197     | 532 19 58-04 | Bracket Clutch Anti-Rotation  |
| 51      | 873 90 06-00 | Lock Nut 3/8-16   | 205     | 532 12 17-48 | Washer 25/32 x 1-5/8 x 16 Ga. |
| 52      | 532 19 43-26 | Idler V-Groove  | 206     | 532 19 78-67 | Bracket Mount Latch Cruise    |
| 56      | 532 13 09-69 | V-Belt, Drive   | 207     | 532 19 78-68 | Latch Control Cruise          |
| 64      | 532 19 78-65 | Shaft Asm. Pedal Brake Control  | 208     | 532 19 78-69 | Gear Sector Control Cruise    |
| 70      | 532 43 96-61 | Console Asm.  | 209     | 532 19 95-92 | Rod Control Cruise            |
| 73      | 874 49 05-40 | Bolt 5/16-18 x 1/2 Gr 5   | 210     | 532 19 78-60 | Rocker Asm Cruise             |
| 74      | 532 14 24-32 | Screw Hx Wsh Hi-Lo 1/4 x 1/2 unc  | 211     | 532 12 01-83 | Bearing Nylon                 |
| 80      | 532 44 06-19 | Strap Torque  | 213     | 532 40 31-19 | Handle Parking Brake          |
| 92      | 874 76 05-20 | Bolt Fin Hex 5/16-18 unc x 1.25   | 214     | 532 42 12-63 | Pedal Forward Pad             |
| 99      | 532 41 57-42 | Rod Bypass  | 215     | 532 40 17-23 | Pedal Reverse Pad             |
| 116     | 873 90 05-00 | Nut Lock Hex Flange 5/16-18   | 216     | 532 19 61-31 | Bracket Pulley Idler          |
| 125     | 817 00 05-12 | Screw 5/16-18 x 3/4   | 220     | 532 19 89-08 | Reflector RH                  |
| 143     | 817 49 05-08 | Screw 5/16-18 x 1/2   | 221     | 532 40 31-87 | Retainer Spring Clip Handle   |
| 153     | 532 12 47-88 | Retainer Spring   | 222     | 879 21 20-10 | Washer 21/32 x 1-1/4 10 Ga.   |
| 159     | 876 02 04-12 | Pin Cotter 1/8 x 3/4  | 225     | 532 40 33-19 | Keeper Belt Trans.            |
| 160     | 532 16 94-84 | Retainer Clip   | 226     | 532 40 15-64 | Bracket Mount Torque          |
| 161     | 532 10 57-09 | Spring, Return, Clutch  | 227     | 817 49 05-12 | Screw Thdrol 5/16-18 x 3/4    |
| 163     | 532 44 82-75 | Rod Pedal Control   | 230     | 532 18 89-67 | Washer Hardened               |
| 166     | 532 42 91-64 | Nut Push .625   |         |              |                               |
| 167     | 532 40 52-57 | Latch Brake Parking   |         |              |                               |
| 170     | 532 19 43-22 | Keeper Belt Centerspan  |         |              |                               |

**NOTE:** All component dimensions given in U.S. inches  
1 inch = 25.4 mm

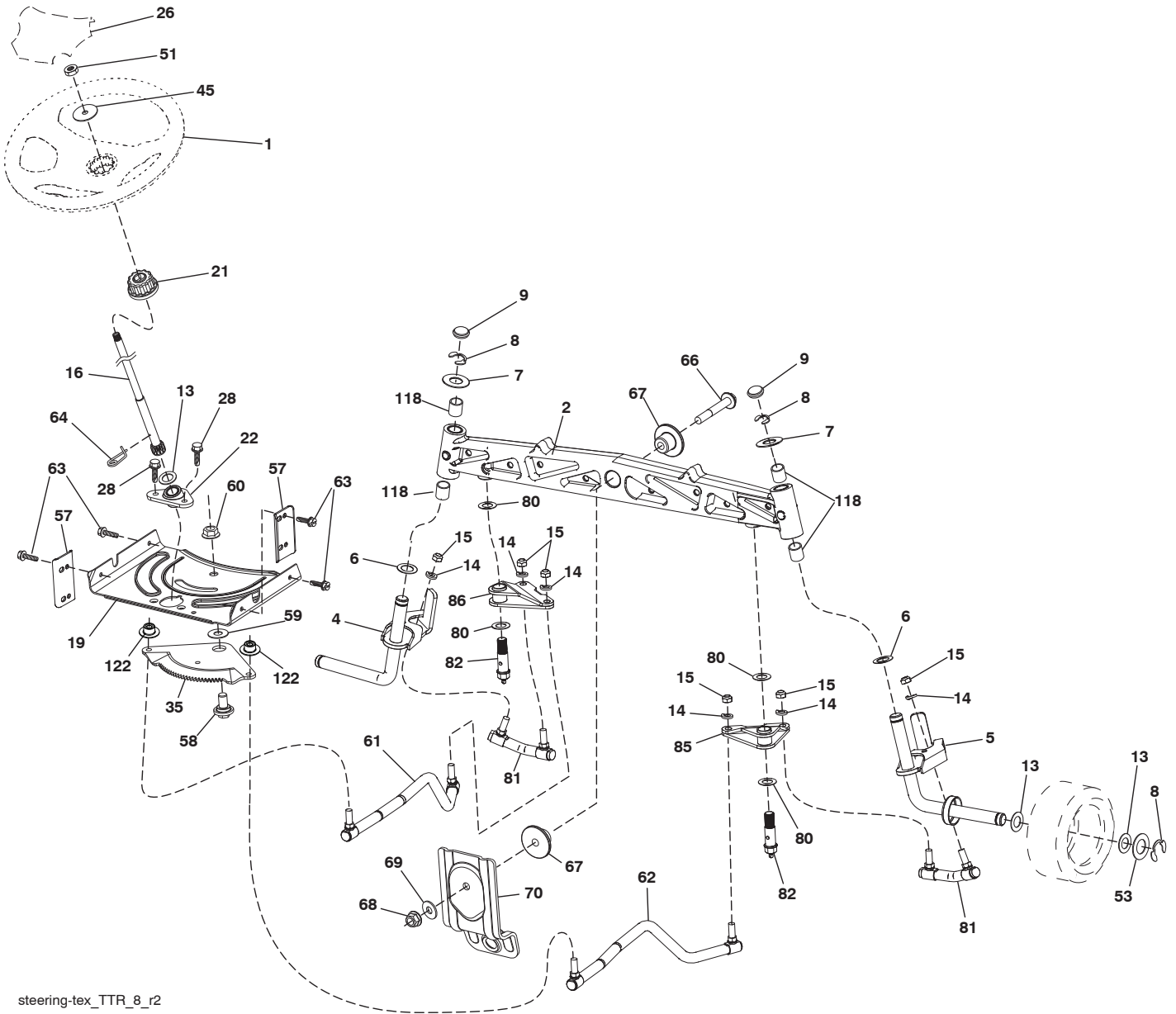


**TRACTOR - - MODEL NO. YTH 224T (96041030900), PRODUCT NO. 960 41 03-09  
ENGINE 24**

| KEY NO. | PART NO.     | DESCRIPTION  |
|---------|--------------|--|
| 1       | ---          | Kawasaki FS651V-BS50 (445368)<br>(Order parts from engine manufacturer.) |
| 2       | 532 44 59-62 | Muffler  |
| 9       | 532 19 43-20 | Keeper Belt Engine   |
| 11      | 532 40 00-08 | Clutch Electric  |
| 12      | 532 40 50-97 | Pulley Engine  |
| 15      | 532 19 34-99 | Tank Fuel 4.0  |
| 18      | 532 43 96-45 | Cap Fuel   |
| 20      | 532 41 21-65 | Control Throttle   |
| 21      | 532 41 63-58 | Screw #10 x 0.750  |
| 22      | 532 18 95-41 | Control Choke  |
| 28      | 532 14 21-58 | Fuel Line  |
| 29      | 532 13 71-80 | Spark Arrester Kit   |
| 37      | 532 12 34-87 | Clamp Hose   |
| 41      | 532 12 61-97 | Washer 1-1/2 OD x 15/32 ID x .250  |
| 42      | 810 04 07-00 | Washer Lock 7/16   |
| 45      | 873 51 04-00 | Nut Keps 1/4-20 unc  |
| 62      | 532 43 40-17 | Shield Heat Muffler  |
| 69      | 532 17 81-51 | Gasket   |
| 70      | 532 42 47-65 | Tube Exhaust LH  |
| 71      | 532 42 47-66 | Tube Exhaust RH  |
| 81      | 532 14 84-56 | Tube Drain Oil Easy  |
| 85      | 532 17 39-37 | Bolt Hex 7/16-20 x 4 Gr. 5   |
| 86      | 532 18 43-62 | Nut  |
| 87      | 532 17 18-77 | Belt 5/16-18 unc x 3/4 w/Sems.   |
| 90      | 817 00 06-16 | Screw 3/8-16 x 1   |
| 91      | 532 18 74-95 | Bushing  |
| 92      | 817 12 06-16 | Screw 3/8-16 x 1   |
| 105     | 532 41 56-06 | Shield Side LH   |
| 106     | 532 41 56-11 | Shield Side RH   |
| 108     | 532 42 68-03 | Cover Asm. Engine  |
| 115     | 532 42 30-62 | Palnut 1/4   |
| 118     | 817 67 05-08 | Screw 5/16-18 x 1/2  |
| 136     | 532 13 77-29 | Screw 1/4-20 x 5/8   |

**NOTE:** All component dimensions given in U.S. inches  
1 inch = 25.4 mm

TRACTOR - - MODEL NO. YTH 224T (96041030900), PRODUCT NO. 960 41 03-09  
STEERING ASSEMBLY **41**



steering-tex\_TTR\_8\_r2

**TRACTOR - - MODEL NO. YTH 224T (96041030900), PRODUCT NO. 960 41 03-09  
STEERING ASSEMBLY 41**

| <b>KEY NO.</b> | <b>PART NO.</b> | <b>DESCRIPTION</b>                  |
|----------------|-----------------|-------------------------------------|
| 1              | 532 43 97-40    | Wheel, Steering                     |
| 2              | 532 43 68-70    | Axle Cast Iron                      |
| 4              | 532 43 68-73    | Spindle Asm., LH                    |
| 5              | 532 43 68-74    | Spindle Asm., RH                    |
| 6              | 532 12 49-31    | Washer, Thrust                      |
| 7              | 532 12 17-48    | Washer 25/32 x 1-5/8 x 16 Ga.       |
| 8              | 812 00 00-29    | Ring, Klip #T5304-75                |
| 9              | 532 12 12-32    | Cap, Spindle                        |
| 13             | 532 12 17-49    | Washer 25/32 x 1-1/4 x 16 Ga.       |
| 14             | 810 04 06-00    | Washer, Lock Hvy Hlcl Spr 3/8       |
| 15             | 873 54 06-00    | Nut, Crown Lock 3/8-24 unf          |
| 16             | 532 44 42-12    | Shaft Steering                      |
| 19             | 532 19 47-29    | Plate Steering                      |
| 21             | 532 43 77-47    | Adapter, Wheel Steering             |
| 22             | 532 19 48-45    | Bushing Asm.                        |
| 26             | 532 43 97-43    | Insert, Wheel Steering              |
| 28             | 817 00 06-12    | Screw 3/8-16 x 3/4                  |
| 35             | 532 44 07-70    | Gear, Sector Plate                  |
| 45             | 819 18 38-12    | Washer 9/16 ID x 2-3/8 OD 12 Ga.    |
| 51             | 873 94 08-00    | Nut Hex Jam Toplock 1/2-20 unf      |
| 53             | 532 18 89-67    | Washer Hardened .793 x 1.637 x .060 |
| 57             | 532 40 74-65    | Bracket Upstop                      |
| 58             | 532 19 47-47    | Bolt Shoulder Sector Pivot CFM      |
| 59             | 532 19 47-48    | Washer Thrust Sector Steering       |
| 60             | 873 97 10-00    | Nut Flange Lock 5/8-11              |
| 61             | 532 43 68-84    | Draglink, LH                        |
| 62             | 532 43 68-85    | Draglink, RH                        |
| 63             | 817 00 05-12    | Screw 5/16-18 x 3/4                 |
| 64             | 532 19 98-49    | Retainer Clip Spring Steering       |
| 66             | 871 02 07-48    | Bolt Hex Fghd 7/16-14 x 3 Serr      |
| 67             | 532 19 47-37    | Bushing PM Front Axle               |
| 68             | 873 90 07-00    | Nut Lock Flange 7/16-14 Gr. 5       |
| 69             | 532 19 91-62    | Washer 1.5 x .505 x .118            |
| 70             | 532 19 61-97    | Bracket Deck Susp. Front            |
| 80             | 532 00 13-70    | Washer 5/8 x 1.10 x 1/32            |
| 81             | 532 43 68-87    | Sub Asm. Link Cross                 |
| 82             | 532 43 68-77    | Sub Asm. Pivot Bolt                 |
| 85             | 532 44 18-73    | Sub Asm. Pivot RH                   |
| 86             | 532 44 18-72    | Sub Asm. Pivot LH                   |
| 118            | 532 40 60-13    | Bushing Axle                        |
| 122            | 532 44 49-62    | Cap Gear Sector                     |

**NOTE:** All component dimensions given in U.S. inches  
1 inch = 25.4 mm



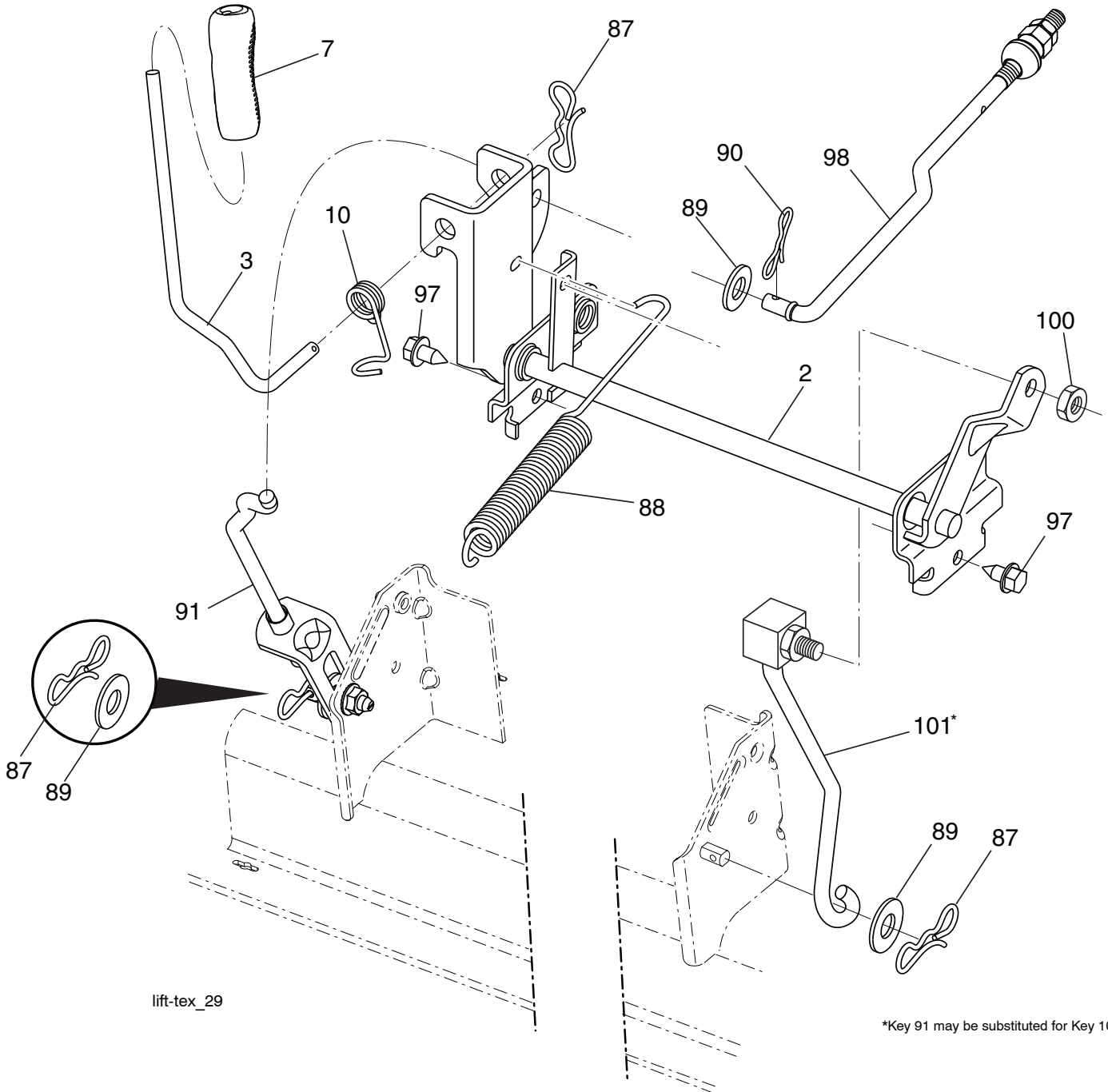
**TRACTOR - - MODEL NO. YTH 224T (96041030900), PRODUCT NO. 960 41 03-09  
MOWER DECK 44**

| KEY NO. | PART NO.     | DESCRIPTION                        | KEY NO. | PART NO.     | DESCRIPTION  |
|---------|--------------|------------------------------------|---------|--------------|--|
| 1       | 532 44 24-15 | Mower Housing                      | 119     | 819 13 20-12 | Washer 13/32 x 1-1/2 x 11 Ga.  |
| 4       | 874 76 05-12 | Bolt Hex Hd 5/16-18                | 145     | 532 19 31-97 | Pulley Idler   |
| 6       | 532 19 51-86 | Arm Suspension                     | 147     | 532 19 72-51 | Spring Return  |
| 8       | 532 19 30-03 | Bolt/Washer asm 7/16-20 unf        | 188     | 532 19 51-61 | Stud Fastener  |
| 11      | 532 40 53-80 | Blade Mower Hi Lift                | 189     | 873 90 05-00 | Nut Lock Hex Flange  |
| 13      | 532 19 28-72 | Shaft Assembly, Mandrel            | 197     | 819 13 13-12 | Washer 13/32 x 13/16 x 12 Ga.  |
| 14      | 532 18 72-81 | Housing, Mandrel                   | 198     | 532 40 31-49 | Baffle Center Front  |
| 15      | 532 11 04-85 | Bearing, Ball, Mandrel             | 199     | 532 40 31-50 | Baffle Front RH  |
| 19      | 532 19 65-39 | Bolt, Shoulder                     | 200     | 532 41 35-24 | Washer 13/32x1 x 1/2 11 GAHRD  |
| 21      | 873 68 05-00 | Nut                                | 208     | 817 67 06-08 | Screw Thdrol 3/8-16 x 1/2  |
| 23      | 532 19 25-57 | Bracket, Deflector                 | 209     | 532 43 23-95 | Cover Asm LH   |
| 24      | 532 10 53-04 | Cap, Sleeve                        | 210     | 532 43 23-96 | Cover Asm RH   |
| 25      | 532 19 70-26 | Spring, Torsion, Deflector         | 240     | 874 52 06-36 | Bolt 3/8-16 unc x 2-1/4 Gr. 5  |
| 26      | 532 11 04-52 | Nut, Push                          | 241     | 532 15 29-27 | Screw  |
| 27      | 532 44 28-95 | Shield, Deflector                  | 242     | 532 41 55-98 | Washout Port   |
| 29      | 532 13 14-91 | Rod, Hinge                         | 247     | 532 43 23-98 | Cover Asm RH   |
| 30      | 532 17 39-84 | Screw Thdrol Rolling Wsh Hd        | 248     | 532 43 23-97 | Cover Asm LH   |
| 31      | 532 18 76-90 | Washer, Spacer                     | 250     | 532 42 30-62 | Palnut 1/4   |
| 32      | 532 19 74-73 | Pulley, Mandrel                    | 254     | 532 43 23-99 | Shield Deck Rear   |
| 33      | 532 40 02-34 | Nut, Toplock, Flanged              | 255     | 532 43 60-87 | Kit Bungee (Includes Phillips<br>heas screw, weld nut, screw,<br>bungee latch, and bungee strap)   |
| 34      | 872 11 06-12 | Bolt Carr Sh. 3/8-16 x 1-1/2 Gr. 5 | --      | 532 19 28-70 | Mandrel Assembly (Includes<br>housing (key # 14), shaft as-<br>sembly (key # 13), and bearing<br>(key # 15) only - pulley/nut/<br>washer and blade bolt/washers<br>not included) |
| 36      | 532 19 73-79 | Pulley, Idler, Flat                | --      | 532 42 17-97 | Replacement Mower, Complete  |
| 40      | 873 90 06-00 | Nut, Lock Flg. 3/8-16 unc          |         |              |  |
| 46      | 532 13 77-29 | Screw 1/4-20 x 5/8                 |         |              |  |
| 55      | 532 19 72-49 | Arm, Idler                         |         |              |  |
| 56      | 532 19 90-92 | Spacer, Retainer                   |         |              |  |
| 57      | 817 00 06-16 | Screw Hexwsh Thd 3/8-16 x 1        |         |              |  |
| 59      | 532 14 10-43 | Guard, Tuv Idler (94)              |         |              |  |
| 68      | 532 40 51-43 | V-Belt                             |         |              |  |
| 69      | 872 14 05-05 | Bolt                               |         |              |  |
| 116     | 532 19 34-06 | Bolt, Shoulder                     |         |              |  |
| 117     | 532 17 48-73 | Wheel, Gauge                       |         |              |  |

**NOTE:** All component dimensions given in U.S. inches  
1 inch = 25.4 mm



**TRACTOR - - MODEL NO. YTH 224T (96041030900), PRODUCT NO. 960 41 03-09  
MOWER LIFT 45**



lift-tex\_29

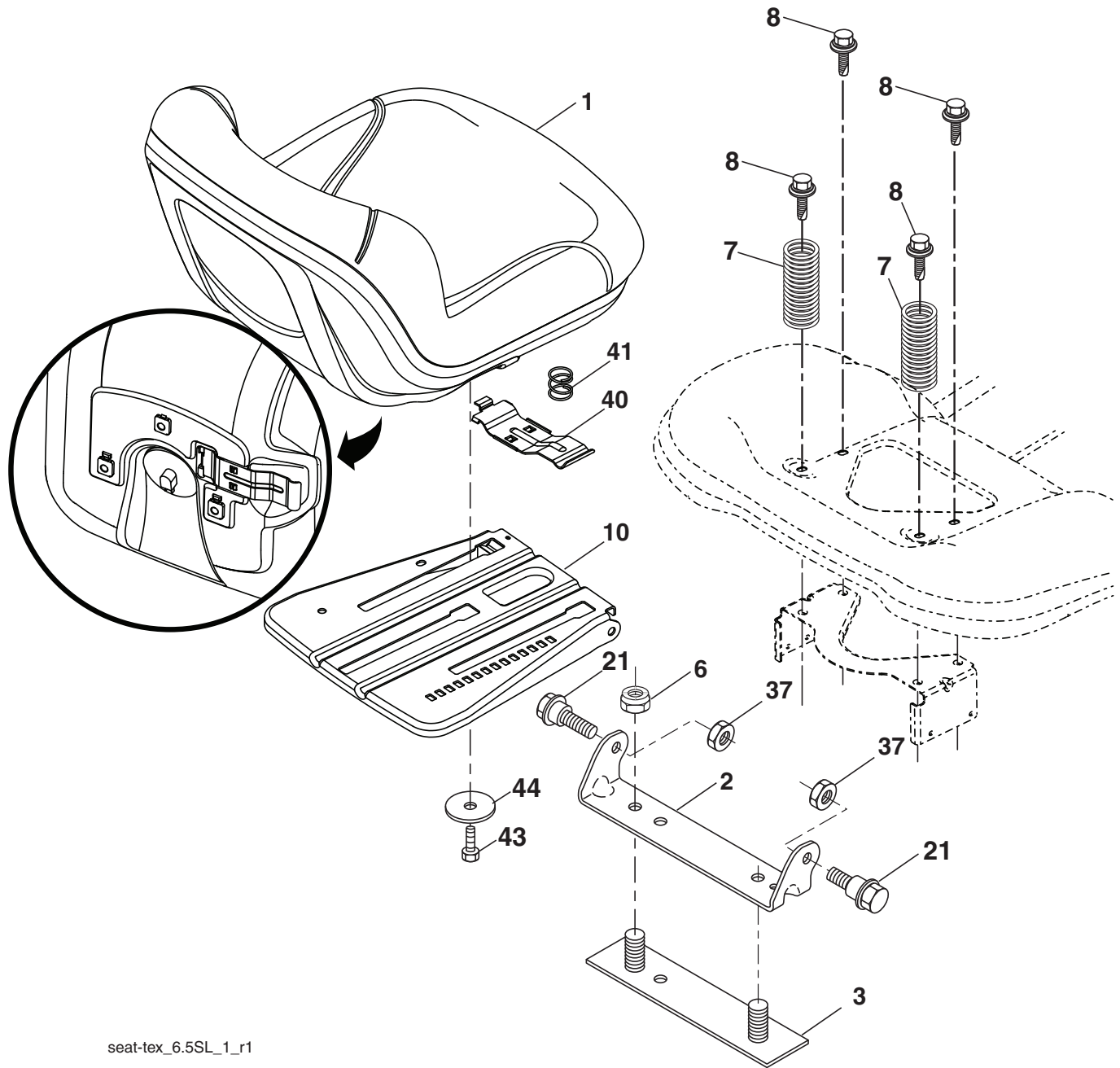
\*Key 91 may be substituted for Key 101

| KEY NO. | PART NO.     | DESCRIPTION                  |
|---------|--------------|------------------------------|
| 2       | 532 42 20-27 | Shaft Asm., Lift             |
| 3       | 532 19 52-30 | Lever Asm., Lift RH          |
| 7       | 580 96 23-01 | Grip, Lever                  |
| 10      | 532 19 63-14 | Spring Torsion               |
| 87      | 532 19 42-09 | Pin Cotter 7/16 Bow Tie Lock |
| 88      | 532 41 07-10 | Spring Lift Assist           |
| 89      | 819 19 19-12 | Washer Clear Zinc            |
| 90      | 532 19 42-08 | Pin Cotter 5/16 Bow Tie Lock |
| 91      | 532 19 51-81 | Lift Link Asm. Rear          |

| KEY NO. | PART NO.     | DESCRIPTION                       |
|---------|--------------|-----------------------------------|
| 97      | 817 00 06-12 | Screw 3/8-16 x .75 Smgml. Tap/R.Z |
| 98      | 532 19 52-70 | Link Asm. Susp. Front Mower       |
| 100     | 873 93 06-00 | Nut 3/8-16 unc                    |
| 101     | 532 40 70-03 | Link Asm. Lift Fixed              |

**NOTE:** All component dimensions given in U.S. inches  
1 inch = 25.4 mm

**TRACTOR - - MODEL NO. YTH 224T (96041030900), PRODUCT NO. 960 41 03-09  
SEAT ASSEMBLY 42**



seat-tex\_6.5SL\_1\_r1

| KEY NO. | PART NO.     | DESCRIPTION                    |
|---------|--------------|--------------------------------|
| 1       | 532 42 40-71 | Seat                           |
| 2       | 532 18 01-66 | Bracket Pivot Fender           |
| 3       | 532 14 06-75 | Strap, Asm. Fender             |
| 6       | 873 80 06-00 | Nut, Lock w/Ins. 3/8-16 unc    |
| 7       | 532 12 41-81 | Spring, Seat Cprsn.            |
| 8       | 532 17 18-77 | Bolt 5/16-18 x 3/4 unc w/Sems. |
| 10      | 532 19 69-77 | Pan, Seat                      |
| 21      | 532 17 18-52 | Bolt, Shoulder 5/16-18         |

| KEY NO. | PART NO.     | DESCRIPTION                   |
|---------|--------------|-------------------------------|
| 37      | 873 80 05-00 | Nut, Lock 5/16-18 unc         |
| 40      | 532 19 76-61 | Handle Slide Seat             |
| 41      | 532 19 82-00 | Spring Latch Seat             |
| 43      | 874 76 06-12 | Bolt 3/8-16 x 3/4             |
| 44      | 819 13 38-12 | Washer 13/32 x 2-3/8 x 12 Ga. |

**NOTE:** All component dimensions given in U.S. inches  
1 inch = 25.4 mm

