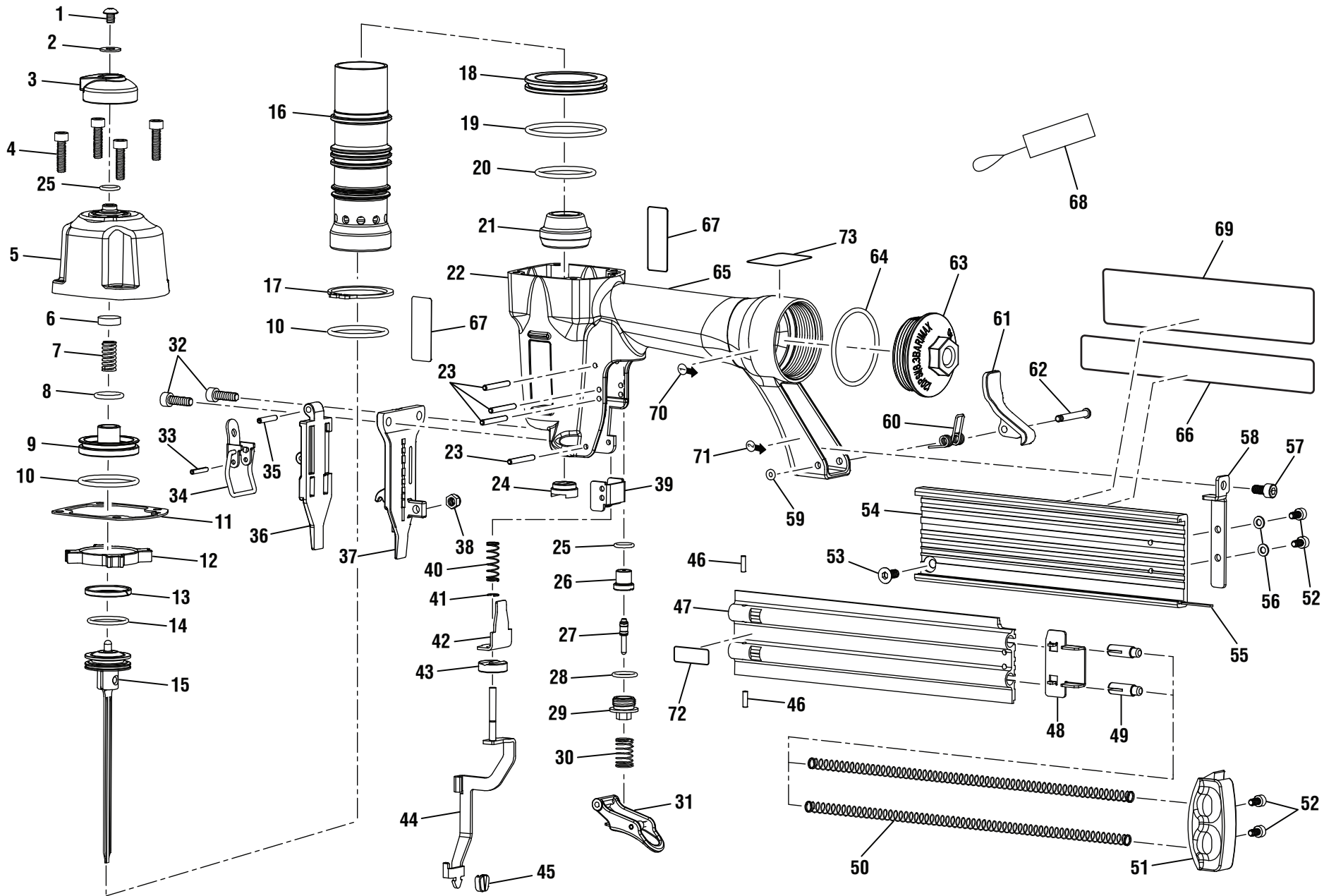


RYOBI 18 GAUGE BRAD NAILER – MODEL NO. YN200BND



RYOBI 18 GAUGE BRAD NAILER – MODEL NO. YN200BND

The model number will be found on a plate attached to the motor housing. Always mention the model number in all correspondence regarding your **RYOBI BRAD NAILER** or when ordering repair parts.

PARTS LIST

KEY NO.	PART NUMBER	DESCRIPTION	QTY.	KEY NO.	PART NUMBER	DESCRIPTION	QTY.
1	079023001001	Screw (M5 x 8 mm, Button Hd.)	1	46	079024001009	Spring Pin (D2.5 x 10 mm)	2
2	079023001002	Washer, Exhaust Cap	1	47	079027010006	Magazine B	1
3	079027010001	Exhaust Cap	1	48	079024001011	Pusher	1
4	A07003050200	Bolt (M5 x 20 mm, Hex Soc. Hd.)	4	49	079024001012	Pusher Guide	2
5	079027010002	Main Cap	1	50	079024001013	Spring	2
6	079023001007	Seal	1	51	079024001014	Magazine End Cap	1
7	079023001008	Spring, Head Valve	1	52	079024001015	Screw (M4 x 8 mm, Hex. Soc. Hd.)	4
8	079023001009	O-Ring (P14)	1	53	079024001016	Screw (M5 x 12 mm, Hex Soc. Cap)	1
9	079023001700	Head Valve	1	54	079026004702	Magazine A w/Warning/Data Label & User Interface Quick Start Label	1
10	079023001010	O-Ring (AS568-125)	2	55	079024001018	Magazine Insert	1
11	079023001011	Cap Gasket	1	56	079024001019	Washer, Spring (7.6 x 4.1 x 1)	2
12	079023001012	Seal	1	57	079023001050	Screw (M5 x 10 mm, Hex. Soc. Hd.)	1
13	079023001013	Piston Ring	1	58	079024001020	Bracket	1
14	079023001014	O-Ring (22 x 2)	1	59	079023001052	O-Ring (P-3)	1
15	079024001001	Driver Unit	1	60	079023001053	Spring	1
16	079023001016	Cylinder	1	61	079027010008	Buckle	1
17	079023001017	C-Ring (C38)	1	62	079023001055	Rolled Pin	1
18	079023001018	Cylinder Ring	1	63	079026004004	End Cap	1
19	079023001019	O-Ring (AS568-133)	1	64	079023001057	O-Ring (AS568-132)	1
20	A63030001240	O-Ring (AS568-124)	1	65	079023001058	Grip	1
21	079023001021	Bumper	1	66	079026004901	Warning/Data Label (English)	1
22	079027010003	Tool Body	1	67	079026004900	Logo Label	2
23	079023001023	Spring Pin (D3 x 26 mm)	4	68	079026004902	Hang Tag (French/Spanish)	1
24	079023001024	Bottom Plug	1	69	079026004903	Quick Start Label	1
25	079023001005	O-Ring (AS568-012)	2	70	079026004905	Point Label (1)	1
26	079023001025	Trigger Inner Housing	1	71	079026004906	Point Label (2)	1
27	079023001026	Trigger Stem	1	72	079026004907	Point Label (3)	1
28	079023001027	O-Ring (AS568-014)	1	73	079026004904	Oil Daily Label	1
29	079023001028	Trigger Valve Housing	1		NOT SHOWN:		
30	079023001029	Spring	1		079023001059	Overhaul Maintenance Kit With Air Tool Oil and Instruction Sheet (Incl. Key Nos. 6, 8, 10, 11, 13, 17, 19, 20, 21, 25, 26, 27, 28, 29)	1
31	079027010701	Trigger Unit	1		079024001022	Drive Maintenance Kit (Incl. Key Nos. 11, 13, 14, 15, 21, Instruction Sheet & Lubricant)	1
32	079024001002	Screw (M5 x 16 mm, Hex. Soc. Hd.)	2		079024001701	Driver Assembly Kit (Incl. Key Nos. 13, 14, 15, Instruction Sheet & Lubricant)	1
33	079024001003	Spring Pin (D2.5 x 16 mm)	1		079023001705	Trigger Valve Assembly (Incl. Key Nos. 25, 26, 27, 28, 29)	1
34	079027010004	Quick Release Latch	1		079024001023	Wrench Kit (Incl. 3 mm, 4 mm Hex Keys)	1
35	079024001005	Spring Pin (D3 x 18 mm)	1		079002001113	Oil	1
36	079024001006	Lid Nose Piece	1		987000756	Operator's Manual (701216000)	1
37	079024001007	Nose Piece	1		10-26-09		
38	079024001008	Screw Nut (M5 x PO.8-SL)	1		(REV:01)		
39	079023001035	Work Piece Contact Guide	1				
40	079023001036	Spring	1				
41	079023001037	E-Ring (E-3)	1				
42	079023001038	Work Piece Contact B	1				
43	079027010005	Adjusting Knob	1				
44	079024001700	Work Piece Contact Assembly	1				
45	079023001040	Non Mar Nosepiece	1				