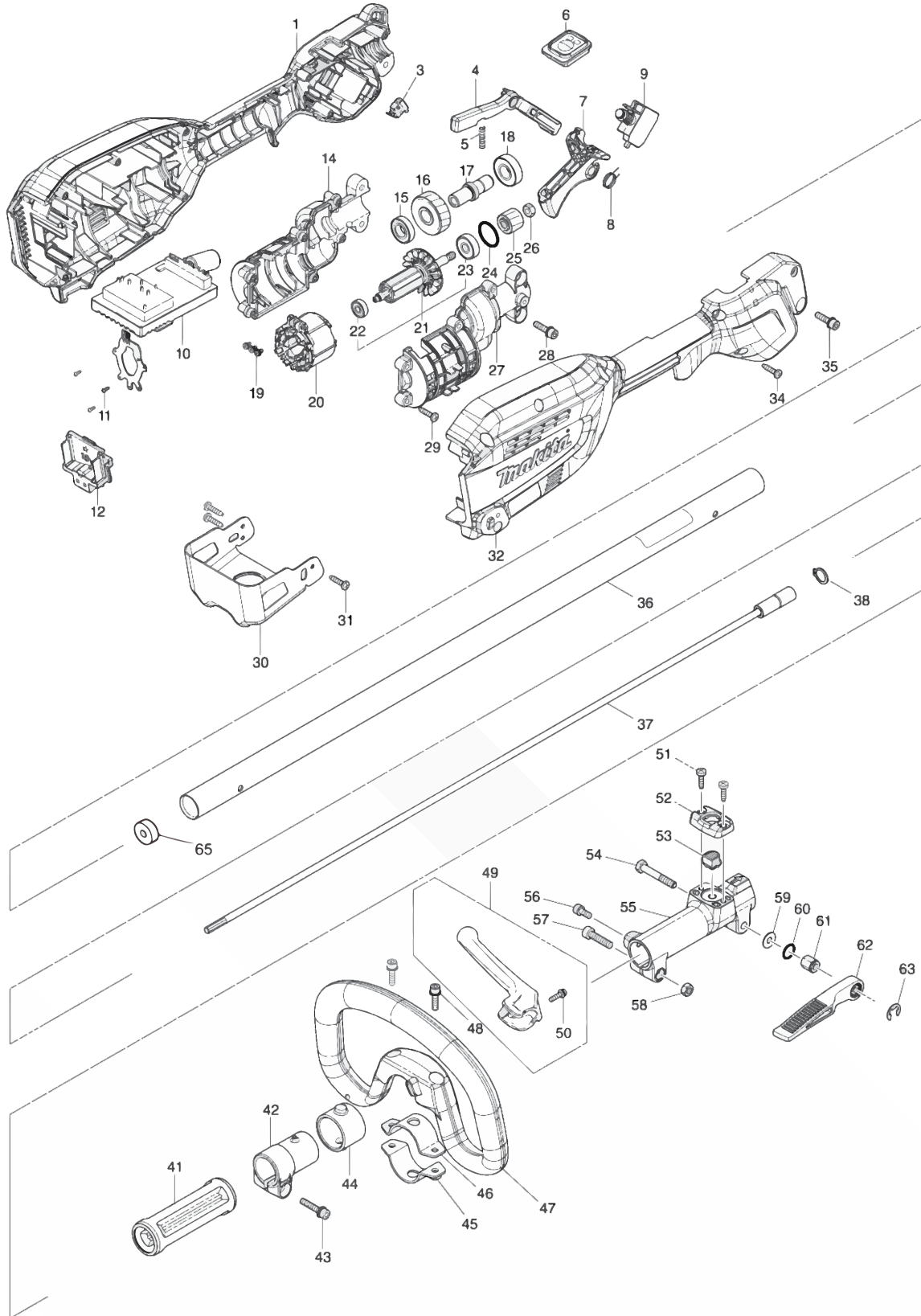




XUX02SM1X1

XUX02ZX1



Products with multiple versions are listed in subsiding order with the newest version on top not indented.

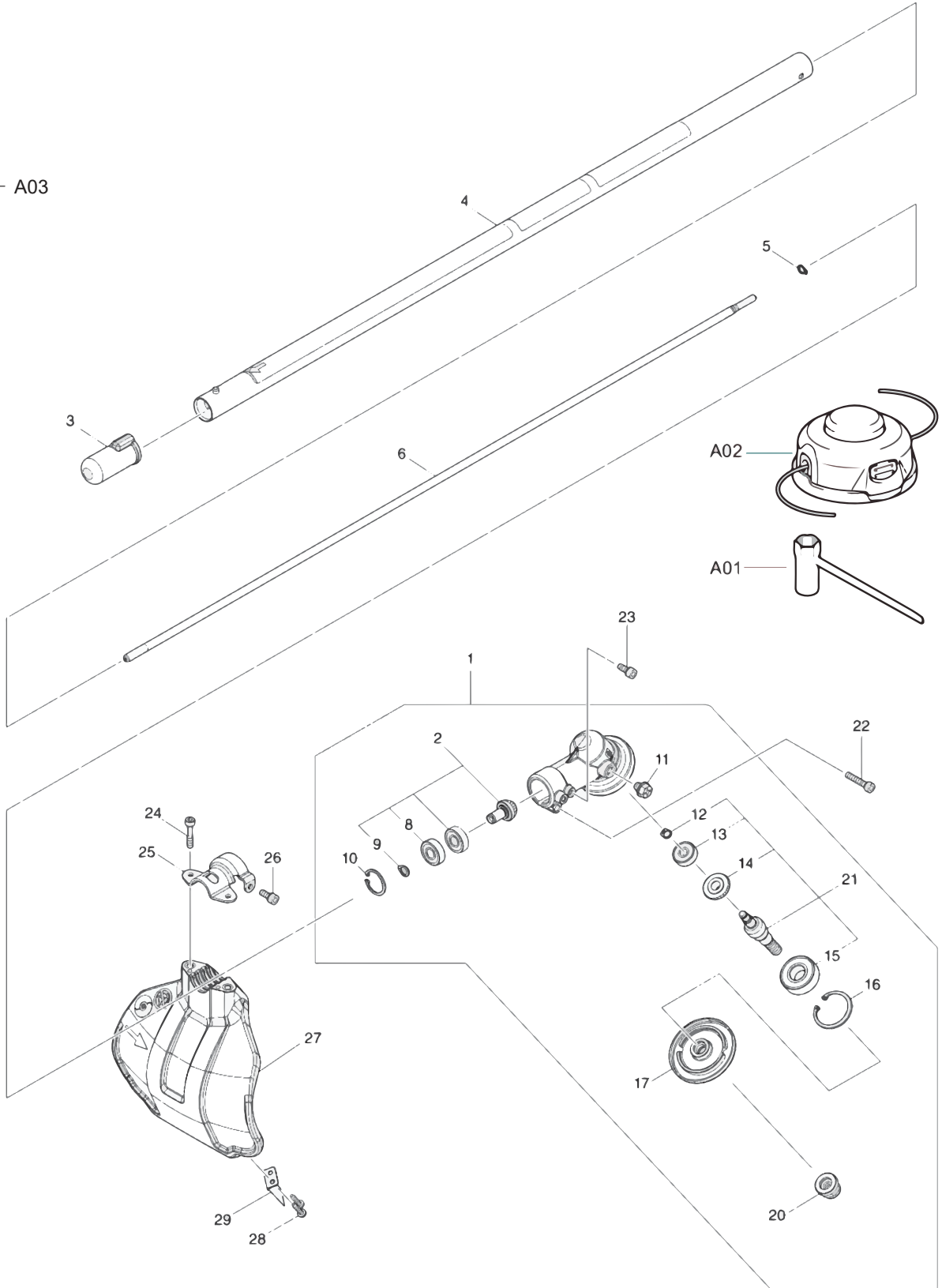
Section	Fig. No.	Part No.	Description	XUX02ZX1	XUX02SM1X1	Tech Bulletin	Notes
1	1	183S11-5	GRIP HOUSING SET	1	1		INC. 32
1	3	632G61-0	SWITCH UNIT	1	1		
1	4	412863-6	LOCK OFF LEVER	1	1		
1	5	233101-1	COMPRESSION SPRING 4	1	1		
1	6	140W41-3	SWITCH CIRCUIT COMPLETE	1	1		
1	7	459758-2	SWITCH LEVER	1	1		
1	8	233622-3	TORSION SPRING 12	1	1		
1	9	651494-8	SWITCH C3JW-1A-PA-2	1	1		
1	10	620D91-5	CONTROLLER	1	1		
1	11	266490-9	TAPPING SCREW PT 2X6	3	3		
1	12	644809-6	TERMINAL	1	1		
1	14	183R80-0	MOTOR HOUSING SET	1	1		INC. 27
1	15	210243-8	BALL BEARING 6901ZZ	1	1		
1	16	227848-7	HELICAL GEAR 33	1	1		
1	17	327719-9	SPINDLE HUB	1	1		
1	18	210244-6	BALL BEARING 6001ZZ	1	1		
1	19	652069-6	FLAT HEAD SCREW M3X6	3	3		
1	20	629A28-1	STATOR	1	1		
1	21	519654-7	ROTOR ASS'Y	1	1		INC. 22,23
1	22	210235-7	BALL BEARING 625ZZ	1	1		
1	23	210236-5	BALL BEARING 627ZZ	1	1		
1	24	213843-3	O-RING 21	1	1		
1	25	227849-5	HELICAL GEAR 16	1	1		
1	26	252153-3	HEX. NUT M6-10	1	1		
1	27	183R80-0	MOTOR HOUSING SET	1	1		INC. 14
1	28	922234-4	H.S.H.BOLT M5X20 WITH WG	2	2		
1	29	266326-2	TAPPING SCREW 4X18	6	6		
1	30	347765-6	BATTERY GUARD	1	1		
1	31	266326-2	TAPPING SCREW 4X18	3	3		
1	32	183S11-5	GRIP HOUSING SET	1	1		INC. 1
1	34	266326-2	TAPPING SCREW 4X18	10	10		
1	35	922234-4	H.S.H.BOLT M5X20 WITH WG	1	1		
1	36	141B21-6	SHAFT PIPE B COMPLETE	1	1		
1	37	141238-9	SHAFT B COMPLETE	1	1		
1	38	961052-5	RETAINING RING S-12	1	1		

Products with multiple versions are listed in subsiding order with the newest version on top not indented.

Section	Fig. No.	Part No.	Description	XUX02ZX1	XUX02SM1X1	Tech Bulletin	Notes
1	41	451601-1	SPACER 24	1	1		
1	42	457269-1	PIPE HOLDER 24	1	1		
1	43	922244-1	H.S.H.BOLT M5X25 WITH WG	1	1		
1	44	424942-8	DAMPER	1	1		
1	45	347114-7	LOWER CLAMP 35	1	1		
1	46	347113-9	UPPER CLAMP 35	1	1		
1	47	457772-2	LOOP HANDLE	1	1		
1	48	922234-4	H.S.H.BOLT M5X20 WITH WG	2	2		
1	49	144315-6	BARRIER COMPLETE	1	1		INC. 50
1	50	911128-8	P.H.SCREW M4X16 WITH WR	1	1		
1	51	266034-5	TAPPING SCREW CT 4X16	2	2		
1	52	452840-6	RELEASE BUTTON COVER	1	1		
1	53	452839-1	RELEASE BUTTON	1	1		
1	54	265596-0	HEX.BOLT M6X40	1	1		
1	55	318750-6	JOINT 24	1	1		
1	56	922211-6	H.S.H.BOLT M5X12 WITH W	1	1		
1	57	922342-1	HEX. SOCKET HEAD BOLT M6X25	1	1		
1	58	931302-2	HEX. NUT M6	1	1		
1	59	253332-6	THIN WASHER 6	1	1		
1	60	213105-9	O RING 11	1	1		
1	61	252159-1	HEX. NUT M6	1	1		
1	62	272268-0	LEVER 94	1	1		
1	63	961014-3	STOP RING E-8	1	1		
1	65	443170-6	FELT	1	1	D7494	



A03



A02

A01

Products with multiple versions are listed in subsiding order with the newest version on top not indented.

Section	Fig. No.	Part No.	Description	XUX02ZX1	XUX02SM1X1	Tech Bulletin	Notes
2	1	127710-5	GEAR CASE ASSEMBLY US	1	1		INC. 2,10,11,16,17,20,21
2	2	136374-4	SPIRAL BEVEL GEAR ASS'Y	1	1		INC. 8,9
2	3	424434-7	CAP 24	1	1		
2	4	140Y53-8	SHAFT PIPE A COMPLETE A	1	1		
2	5	961003-8	RETAINING RING S-7	1	1		
2	6	327723-8	SHAFT A	1	1		
2	8	210157-1	BALL BEARING 609ZZ	2	2		
2	9	259071-6	RETAINING RING (EXT) S-9	1	1		
2	10	259072-4	RETAINING RING (INT)R-24	1	1		
2	11	265590-2	+HEX.BOLT M8X10 WITH R	1	1		
2	12	259070-8	RETAINING RING (EXT) S-7	1	1		
2	13	210030-5	BALL BEARING 627ZZ	1	1		
2	14	226988-8	SPIRAL BEVEL GEAR 19	1	1		
2	15	211228-7	BALL BEARING 6202DDW	1	1		
2	16	259069-3	RETAINING RING (INT) R-35	1	1		
2	17	140N88-3	RECEIVE WASHER COMPLETE	1	1		
2	20	252236-9	HEX. LOCK NUT M10-17	1	1		
2	21	136375-2	CUTTER SHAFT ASS'Y	1	1		INC. 12-15
2	22	922242-5	HEX. SOCKET HEAD BOLT M5X25	1	1		
2	23	922216-6	HEX. SOCKET HEAD BOLT M5X14	1	1		
2	24	251513-6	H.S.H.BOLT M5X25	2	2		
2	25	347107-4	PROTECTOR CLAMP 24	1	1		
2	26	922216-6	HEX. SOCKET HEAD BOLT M5X14	1	1		
2	27	412968-2	PROTECTOR N 330	1	1		
2	28	266326-2	TAPPING SCREW 4X18	2	2		
2	29	346855-2	CUTTER	1	1		
2	A01	782238-6	BOX WRENCH 17	1	1		
2	A02	191R00-0	RAPID LOAD TRIMMER HEAD	1	1		
2	A03	199450-5	GEAR GASE GREASE	1	1		