

## Model XTR01 Parts List

A = Standard Equipment

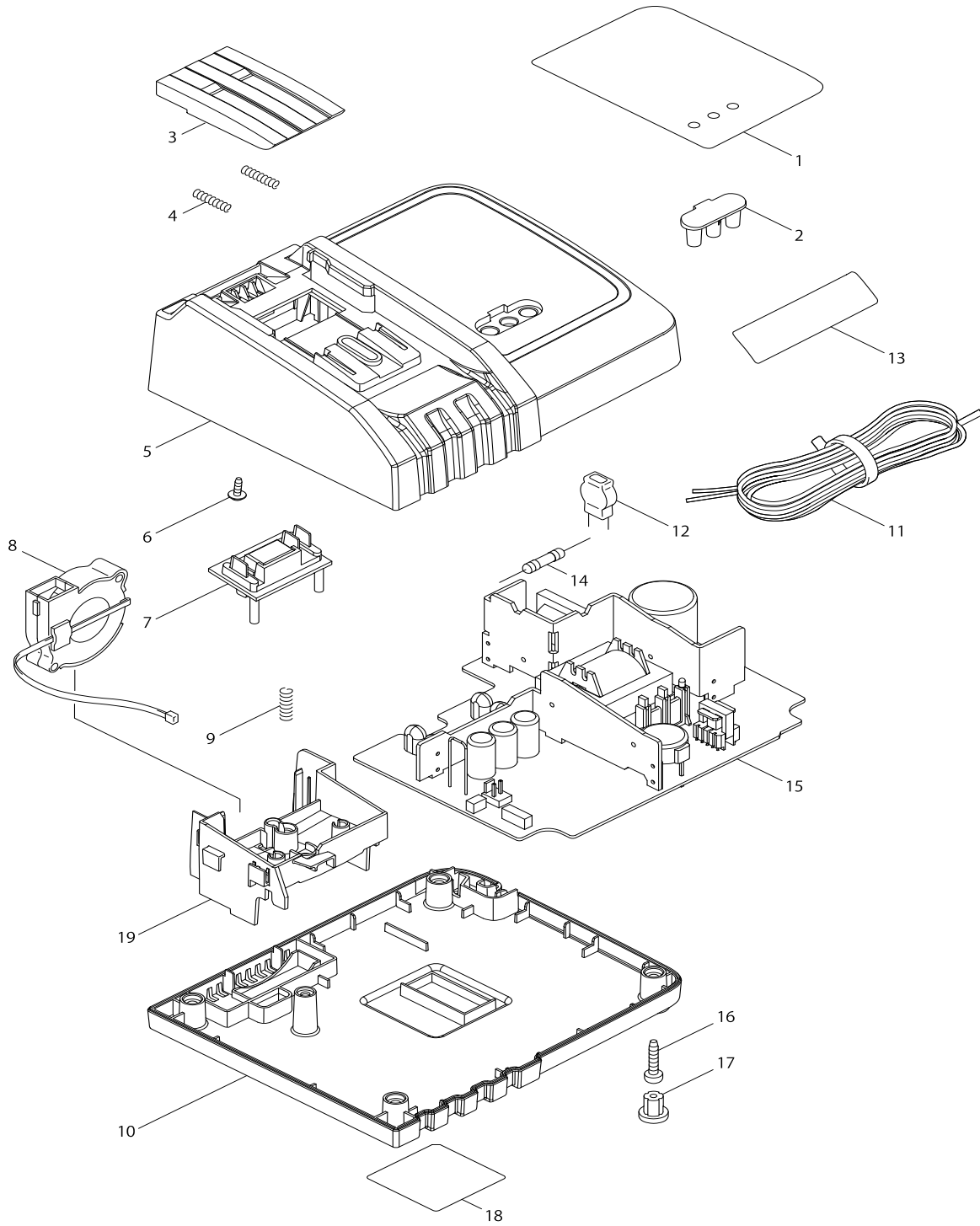
O = Circuit Diagram

Item#	Part#	Description	Q'ty Unit
001	853N12-4	XTR01 NAME PLATE	1
002	643874-2	TERMINAL	1 PC.
003	266326-2	TAPPING SCREW 4X18	4 PC.
004	853N18-2	XTR01 SERIAL NO. LABEL	1
005	183G76-5	HOUSING SET	1
	C10 263005-3	RUBBER PIN 6	2 PC.
005	D10	INC. 9	
006	620720-6	CONTROLLER A	1
007	632K92-3	SWITCH UNIT	1
008	144662-5	SWITCH PLATE COMPLETE	1
009	183G76-5	HOUSING SET	1
	C10 263005-3	RUBBER PIN 6	2 PC.
009	D10	INC. 5	
010	629280-5	STATOR	1
011	210017-7	BALL BEARING 607DDW	1 PC.
012	253186-1	FLAT WASHER 7	1 PC.
013	519449-8	ROTOR ASSY	1
	D10	INC. 11,12,15	
014	620721-4	LED CIRCUIT	1
015	210301-0	BALL BEARING 6003DDW	1 PC.
016	253906-3	WAVE WASHER 26	1 PC.
017	266326-2	TAPPING SCREW 4X18	4 PC.
018	144661-7	OUTER HOUSING COMPLETE	1
019	452468-0	PUSH BUTTON	1 PC.
020	233127-3	COMPRESSION SPRING 7	1 PC.
021	256437-1	PIN 4	1 PC.
022	763637-1	COLLET CONE 1/4"	1 PC.
023	763615-1	COLLET NUT	1 PC.
024	265792-0	THUMB SCREW M5X35	1 PC.
025	941151-9	FLAT WASHER 6	1 PC.
026	265763-7	THUMB SCREW M6X25	1 PC.
027	942151-2	SPRING WASHER 6	1 PC.
028	142403-3	TRIMMER BASE COMPLETE	1
029	941151-9	FLAT WASHER 6	1 PC.
030	227262-7	SPUR GEAR 16	1 PC.
031	941101-4	FLAT WASHER 5	1 PC.
032	252103-8	HEX. LOCK NUT M5-8	1 PC.
033	454842-8	BASE PROTECTOR	1
034	912112-6	COUNTERSUNK HEAD SCREW M4X10	4 PC.
035	346392-6	CAM PLATE	1 PC.
036	163524-8	LOCK LEVER COMPLETE	1 PC.
037	424396-9	RUBBER CAP	1 PC.
038	196613-4	TRIMMER BASE SET	1
	D10	INC. 24-37	
A01	122965-7	STRAIGHT GUIDE ASSEMBLY	1 PC.
	C10 252649-4	THUMB NUT M6	1 PC.
	C20 266339-3	CAP SQUARE NECK BOLT M6X20	1 PC.
	C30 346382-9	GUIDE PLATE	1 PC.
A02	195559-1	DUST NOZZLE SET	1 PC.

	C10	265774-2	THUMB SCREW M4X19	1 PC.
A03		343577-5	TEMPLET GUIDE 10	1 PC.
A04		763619-3	COLLET CONE 3/8"	1 PC.
A05		781011-1	WRENCH 22	1 PC.
A06		781039-9	WRENCH 13	1 PC.
A07		197213-3	CONNECTOR PLASTIC CASE (TYPE4)	1 PC. (XTR01T7)
	C10	453974-8	LATCH	4 PC. (XTR01T7)
A08A		813K64-9	XTR01T7 INDICATION LABEL	1 (XTR01T7)
A09A		813K65-7	XTR01T7 PLASTIC CASE LABEL	2 (XTR01T7)
A10		837247-1	TRAY	1 PC. (XTR01T7)
A12		196094-2	PLUNGE BASE SET	1 PC. (XTR01T7)
	D10		COMBO-PARTS	(XTR01T7)
A17		344364-5	TEMPLET GUIDE 16	1 PC. (XTR01T7)
A20		450128-8	BATTERY COVER	2 PC. (XTR01T7)
A21		***DC18RC	DC18RC FAST CHARGER	1 PC. (XTR01T7)
A22		BL1850B	BATTERY BL1850B SET (197283-2)	2 (XTR01T7)
E01		813J80-5	CAUTION LABEL	1



**DC18RC**



Products with multiple versions are listed in subsiding order with the newest version on top not indented.

Section	Fig. No.	Part No.	Description	DC18RC	Tech Bulletin	Notes
1	1	892752-5	CHARGING CONDITION LABEL	1		
1	2	452862-6	LENS	1		
1	3	419569-7	TERMINAL COVER	1		
1	4	231474-6	COMPRESSION SPRING 4	2		
1	5	140977-8	CHARGER CASE COMPLETE	1		INC. 2
1	6	266278-7	TAPPING SCREW FLANGE BT3X10	1		
1	7	638987-2	TERMINAL UNIT	1		
1	8	638499-5	SCIROCCO FAN	1		
1	9	233194-8	COMPRESSION SPRING 4	1		
1	10	452860-0	CHARGER CASE COVER	1		
1	11	667982-5	VINYL CORD #18-2-2.0	1		
1	12	647321-5	VARISTOR	1		
1	14	652802-6	FUSE	1		
1	15	620203-6	CHARGING CIRCUIT	1		INC. 12,14
1	16	266426-8	TAPPING SCREW 4X20	4		
1	17	286255-3	CAP 13	4		
1	18	869949-1	DC18RC T NAME PLATE	1		
1	19	452861-8	TERMINAL BASE	1		
1	20	266764-8	TAPPING SCREW 3X8	3		
1	E01	893544-5	CAUTION LABEL	1		