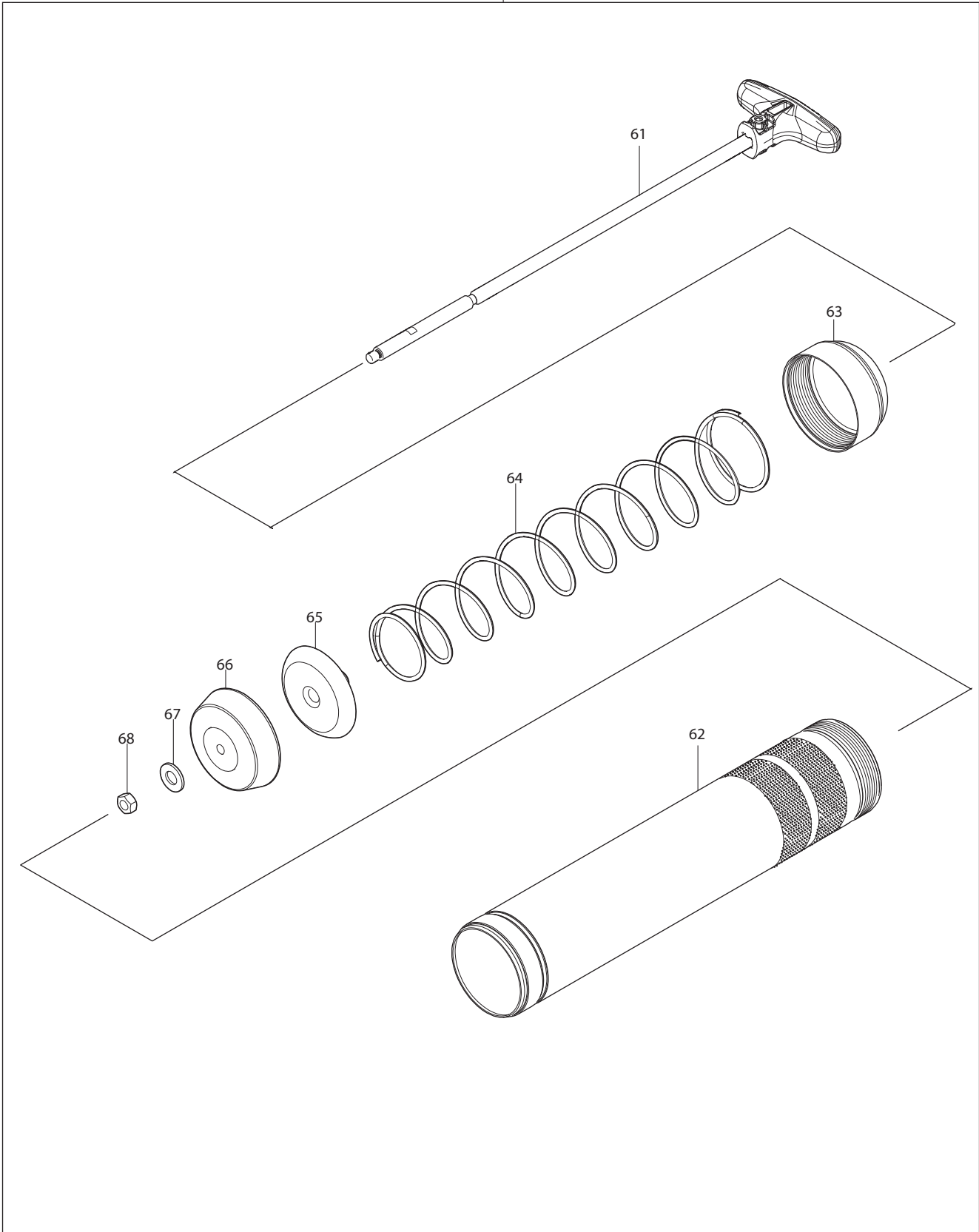


60



Model XPG01SR1/Z Parts List

A = Standard Equipment

O = Circuit Diagram

Item#	Part#	Description	Q'ty Unit
1	265995-6	TAPPING SCREW 4X18	13 PC.
2	183R38-9	HOUSING SET	1 PC.
	C10 263002-9	RUBBER PIN 4	2 PC.
	C20 252126-6	HEX. LOCK NUT M4-7	2 PC.
	D10	INC. 20	
3	459621-9	BARREL HOLDER	1 PC.
4	265995-6	TAPPING SCREW 4X18	2 PC.
5	856C51-7	XPG01 NAME PLATE	1 PC.
6	422479-9	FOOT	2 PC.
7	644809-6	TERMINAL	1 PC.
8	620A91-7	CONTROLLER	1 PC.
9	651391-8	SWITCH C3JW-6BM-PN	1 PC.
10	233306-3	COMPRESSION SPRING 4	1 PC.
11	140M75-6	SWITCH PLATE COMPLETE	1 PC.
	C10 819V26-1	SWITCH LABEL	1 PC.
12	620A89-4	SWITCH CIRCUIT	1 PC.
13	459623-5	SWITCH LEVER	1 PC.
14	231433-0	COMPRESSION SPRING 4	1 PC.
15	419705-5	LOCK ON BUTTON	1 PC.
16	232201-4	LEAF SPRING	1 PC.
17	459624-3	LOCK OFF BUTTON	1 PC.
18	620A90-9	LED CIRCUIT	1 PC.
19	268306-4	PIN 5	2 PC.
20	183R38-9	HOUSING SET	1 PC.
	C10 263002-9	RUBBER PIN 4	2 PC.
	C20 252126-6	HEX. LOCK NUT M4-7	2 PC.
	D10	INC. 2	
21	422643-2	HOSE HOLDER	1 PC.
22	265B56-4	+FLAT HEAD SCREW M4X14	1
23	629386-9	DC MOTOR	1 PC.
24	136124-7	GEAR ASSEMBLY	1 PC.
	D10	INC. 25-27	
25	214079-7	PLANE BEARING 6	1 PC.
26	253477-0	FLAT WASHER 6	1 PC.
27	961022-4	RETAINING RING S-6	1 PC.
28	286043-8	CAP 32	1 PC.
29	256951-7	SHOULDER PIN 7-8	1 PC.
31	459622-7	VALVE COVER	1 PC.
32	140M83-7	RELIEF VALVE COMPLETE	1 PC.
33	213918-8	O-RING 12.5	1 PC.
34	136128-9	PUMP HOUSING ASSY	1 PC.
	C11 265A55-0	H.S. SET SCREW (FLAT POINT) 1/8-17X9	2 PC.
	D10	INC. 35	
35	422476-5	RUBBER PACKING A	1 PC.
36	162667-3	DRAIN VALVE	1 PC.
37	911148-2	PAN HEAD SCREW M4X25	4 PC.
38	310961-9	SLIDER GUIDE	1 PC.
39	310960-1	SLIDER	1 PC.
40	422480-4	SEAL RING	1 PC.

42	911128-8	P.H.SCREW M4X16 WITH WR	4 PC.
43	347546-8	PUMP COVER	1 PC.
44	213182-1	O RING 14	1 PC.
45	233151-6	COMPRESSION SPRING 4	1 PC.
46	216008-6	STEEL BALL 4	1 PC.
47	140M82-9	CHANGE VALVE COMPLETE	1 PC.
48	459620-1	THUMB	1 PC.
49	265A57-6	HEX. SOCKET HEAD BOLT M10X7	1 PC.
50	257494-2	RING 8	1 PC.
51	216003-6	STEEL BALL 10	1 PC.
52	232557-5	COMPRESSION SPRING 4	1 PC.
53	213918-8	O-RING 12.5	1 PC.
54	265A56-8	HEX BOLT M12X16	1 PC.
55	191A79-9	FLEXIBLE HOSE 1200 SET	1 SET
	C10 191W61-0	ADAPTER	1 PC.
59	213054-0	O RING 9	1 PC.
60	191B12-7	BARREL ASSEMBLY A SET	1 SET
	D10	INC. 61-68	
61	140T28-7	SHAFT COMPLETE	1 PC.
	C10 459619-6	LEVER	1 PC.
	C20 951116-3	SPRING PIN 4-20	1 PC.
62	327379-7	BARREL A	1 PC.
63	347543-4	CAP A	1 PC.
64	232684-8	CONICAL SPRING	1
65	413459-6	PLATE A	1
66	422685-6	RUBBER SEAL A	1
67	253494-0	FLAT WASHER 8	1
68	931302-2	HEX. NUT M6	1 PC.
69	856C60-6	XPG01 SERIAL NO. LABEL	1 PC.
70	187303-0	BATTERY HOUSING SET	1 PC.
	D10	INC. 72	
71	424473-7	CUSHION RUBBER	2 PC.
72	187303-0	BATTERY HOUSING SET	1 PC.
	D10	INC. 70	
A01	166094-6	SHOULDER BELT	1 PC.
A02	821840-1	PLASTIC CARRYING CASE	1 (XPG01SR1)
	C10 162271-8	LATCH	2 PC.
A03	***DC18SD	DC18SD FAST CHARGER	1 PC. (XPG01SR1)
	D10	COMPO-PARTS	
A04	BL1820B	BATTERY BL1820B SET (197257-3)	1 PC. (XPG01SR1)