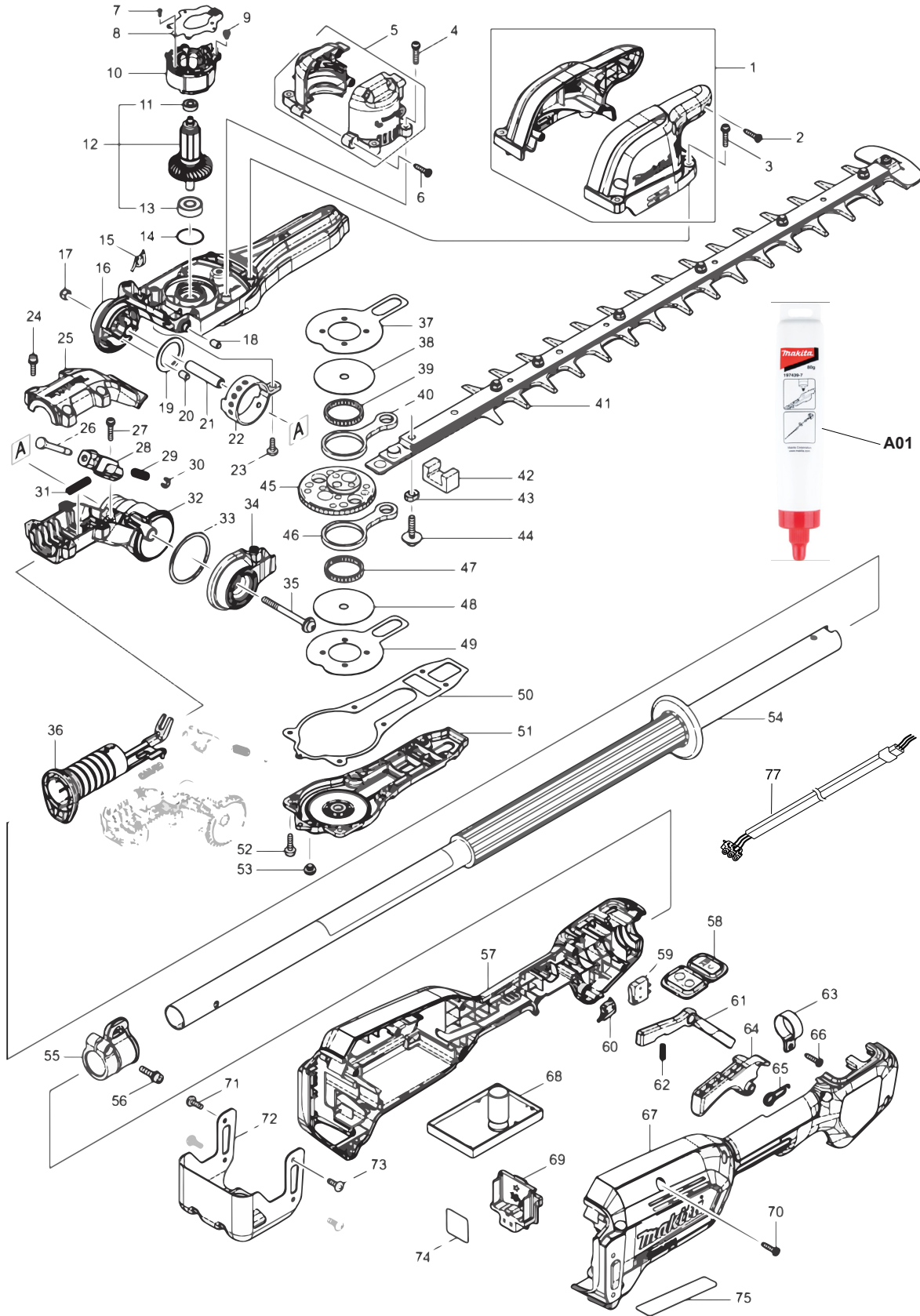




XNU01



Products with multiple versions are listed in subsiding order with the newest version on top not indented.

Section	Fig. No.	Part No.	Description	XNU01	Tech Bulletin	Notes
1	1	183N85-6	HOUSING SET	1		
1	2	266326-2	TAPPING SCREW 4X18	4		
1	3	911138-5	P.H.SCREW M4X20 WITH WR	4		
1	4	911138-5	P.H.SCREW M4X20 WITH WR	4		
1	5	183N83-0	MOTOR HOUSING SET	1		
1	6	266326-2	TAPPING SCREW 4X18	4		
1	7	266490-9	TAPPING SCREW PT 2X6	3		
1	8	620B02-8	CONTROLLER B	1		
1	9	652069-6	FLAT HEAD SCREW M3X6	3		
1	10	629352-6	STATOR	1		
1	11	211157-4	BALL BEARING 695ZZ	1		
1	12	519598-1	ROTOR ASSY	1		INC. 11,13
1	13	210005-4	BALL BEARING 608DDW	1		
1	14	213961-7	O RING 22	1		
1	15	632P71-1	SWITCH UNIT	1		
1	16	140R17-0	GEAR HOUSING COMPLETE	1		
1	17	252103-8	HEX. LOCK NUT M5-8	1		
1	18	263005-3	RUBBER PIN 6	1		
1	19	267304-5	FLAT WASHER 25	1		
1	20	263005-3	RUBBER PIN 6	3		
1	21	257761-5	SLEEVE 6	1		
1	22	347656-1	ANGULAR HOLDER	1		
1	23	265487-5	H.S. BUTTON HEAD BOLT M5X16	1		
1	24	922128-3	HEX. SOCKET HEAD BOLT M4X16	4		
1	25	319952-7	PIPE HOLDER COVER 24	1		
1	26	327514-7	STOPPER PIN	1		
1	27	911138-5	P.H.SCREW M4X20 WITH WR	1		
1	28	412295-7	STOPPER PIN HOLDER	1		
1	29	231294-8	COMPRESSION SPRING 5	1		
1	30	961011-9	STOP RING E-4	1		
1	31	232299-1	COMPRESSION SPRING 5	1		
1	32	319950-1	PIPE HOLDER 24	1		
1	33	267190-4	FLAT WASHER 45	1		
1	34	319951-9	SIDE COVER	1		

Products with multiple versions are listed in subsiding order with the newest version on top not indented.

Section	Fig. No.	Part No.	Description	XNU01	Tech Bulletin	Notes
1	35	265A90-8	H.S.B. HEAD BOLT M5X60 WITH WR	1		
1	36	412296-5	SLIDE GRIP 24	1		
1	37	347361-0	FRICITION PLATE	1		
1	38	347661-8	PLATE	1		
1	39	212229-8	NEEDLE CAGE 315	1		
1	40	347662-6	CONNECTING ROD	1		
1	41	191E73-5	SHEAR BLADE 500S SET	1		INC. 43
1	42	443159-4	SEAL	1		
1	43	257439-0	SLEEVE 5	2		
1	44	265A89-3	H.S.H.BOLT M5X25 WITH WR	2		
1	45	226958-7	HELICAL GEAR 68	1		
1	46	347662-6	CONNECTING ROD	1		
1	47	212229-8	NEEDLE CAGE 315	1		
1	48	347661-8	PLATE	1		
1	49	347361-0	FRICITION PLATE	1		
1	50	422568-0	GEAR HOUSING GASKET	1		
1	51	319949-6	GEAR HOUSING COVER	1		
1	52	922128-3	HEX. SOCKET HEAD BOLT M4X16	6		
1	53	266559-9	H.S.BUTTON HEAD BOLT M6X4	1		
1	54	140R21-9	PIPE 24 COMPLETE	1		
1	55	168478-4	HANGER	1		
1	56	922228-9	H.S.H.BOLT M5X18 WITH WR	1		
1	57	183N92-9	GRIP HOUSING SET	1		INC. 67
1	58	140R24-3	SUB CONTROLLER COMPLETE	1		
1	59	632E26-0	SWITCH UNIT	1		
1	60	632L49-0	SWITCH UNIT	1		
1	61	457773-0	LOCK OFF LEVER	1		
1	62	233101-1	COMPRESSION SPRING 4	1		
1	63	346248-3	CLAMP 24	1		
1	64	412285-0	SWITCH LEVER	1		
1	65	233612-6	TORSION SPRING 10	1		
1	66	266326-2	TAPPING SCREW 4X18	1		
1	67	183N92-9	GRIP HOUSING SET	1		INC. 57
1	68	620C76-5	CONTROLLER	1		
1	69	644809-6	TERMINAL	1		

Products with multiple versions are listed in subsiding order with the newest version on top not indented.

Section	Fig. No.	Part No.	Description	XNU01	Tech Bulletin	Notes
1	70	266326-2	TAPPING SCREW 4X18	9		
1	71	251314-2	+ SCREW M4X12	2		
1	72	347655-3	BATTERY GUARD	1		
1	73	251314-2	+ SCREW M4X12	2		
1	77	632P79-5	POWER SUPPLY CABLE	1		
1	A01	197439-7	GEAR GREASE	1		