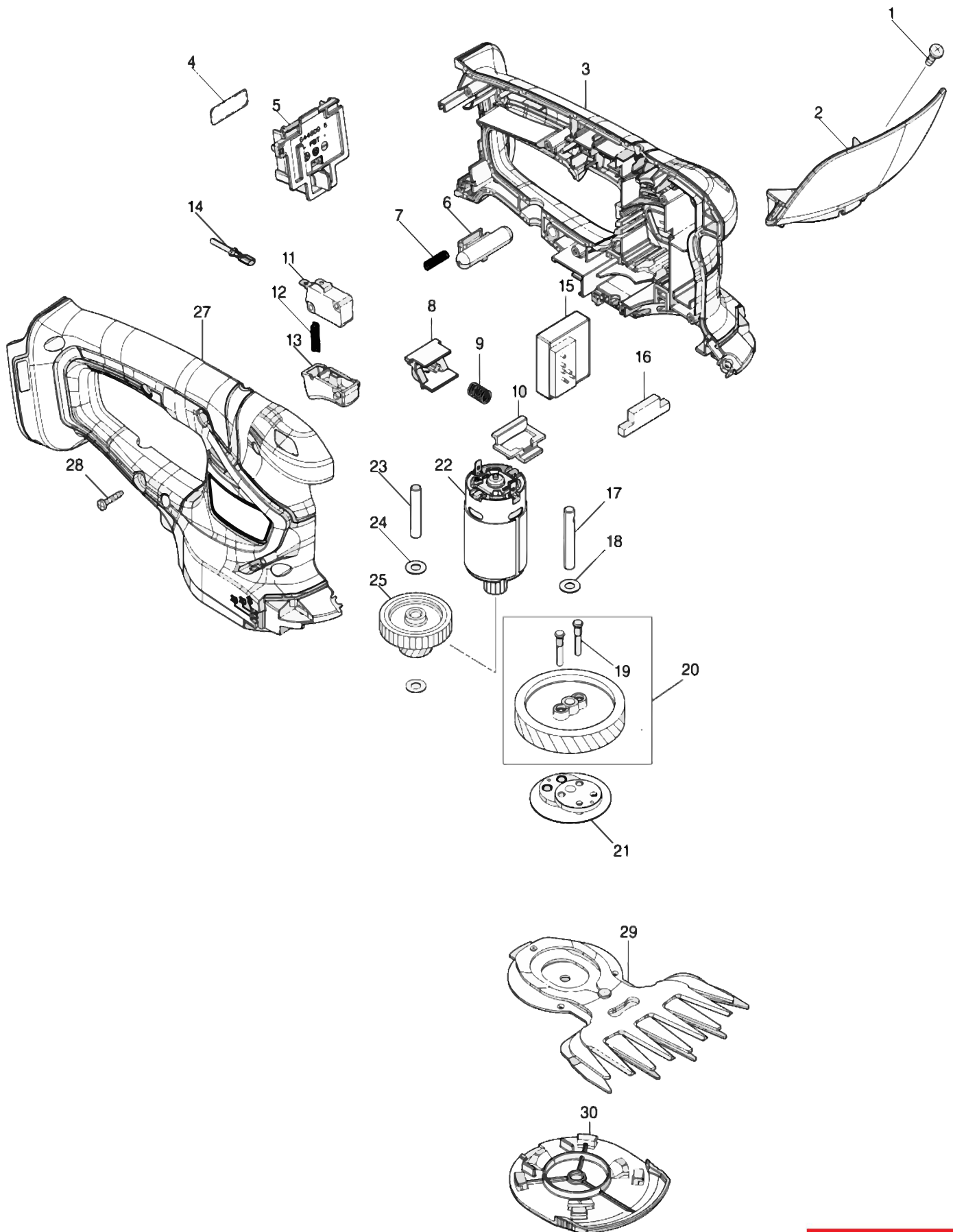




XMU05



Products with multiple versions are listed in subsiding order with the newest version on top not indented.

Section	Fig. No.	Part No.	Description	XMU05	Tech Bulletin	Notes
1	1	915116-7	BINDING HEAD SCREW M4X12	1		
2	1	140V98-8	PROTECTOR COMPLETE	1		
3	1	183G03-2	HOUSING SET	1		INC. 27
5	1	644809-6	TERMINAL	1		
6	1	452438-9	LOCK OFF BUTTON	1		
7	1	231473-8	COMPRESSION SPRING 4	1		
8	1	457534-8	SLIDE PLATE	1		
9	1	234339-1	COMPRESSION SPRING 6	1		
10	1	454879-5	LOCK LEVER	1		
11	1	650744-8	SWITCH D3V-16-3C26	1		
12	1	231473-8	COMPRESSION SPRING 4	1		
13	1	417564-1	SWITCH LEVER	1		
14	1	632S19-1	LEAD UNIT	1		
15	1	620E35-1	CONTROLLER	1		
16	1	451814-4	DUST GUARD	1		
17	1	268254-7	PIN 6	1		
18	1	253715-0	FLAT WASHER 6	1		
19	1	268256-3	PIN 4	2		
20	1	135883-0	HELICAL GEAR 47 ASS'Y	1		INC. 19
21	1	161598-3	CRANK COMPLETE	1		
22	1	629943-3	DC MOTOR	1		
23	1	268076-5	PIN 6	1		
24	1	253715-0	FLAT WASHER 6	2		
25	1	226831-1	GEAR 12-31	1		
27	1	183G03-2	HOUSING SET	1		INC. 3
28	1	266429-2	TAPPING SCREW 3X16	6		
29	1	191N23-4	SHEAR BLADE ASSEMBLY 110 SET	1		
30	1	140451-6	UNDER COVER COMPLETE	1		
A02	1	413885-9	BLADE COVER 110	1		