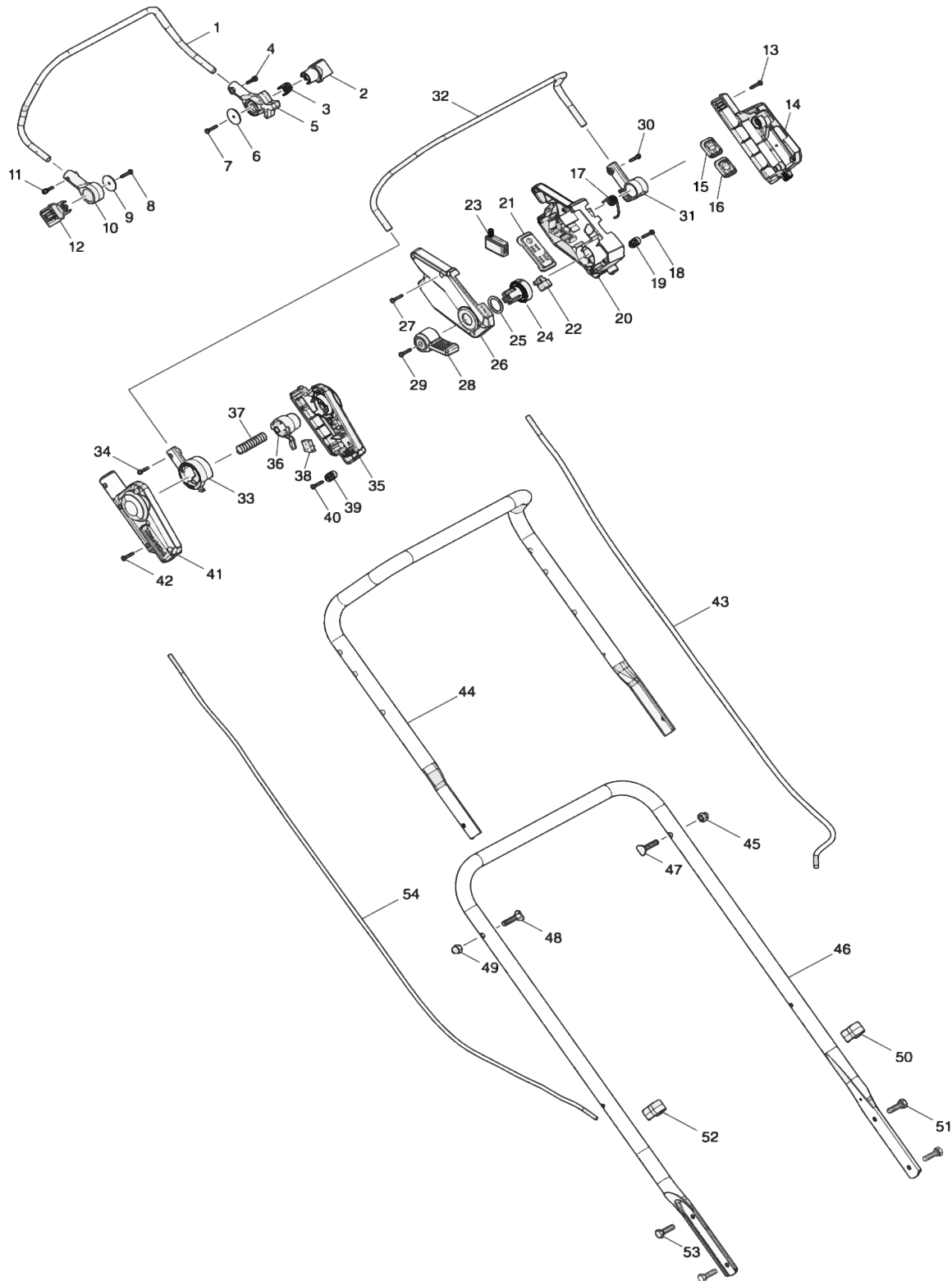




XML09

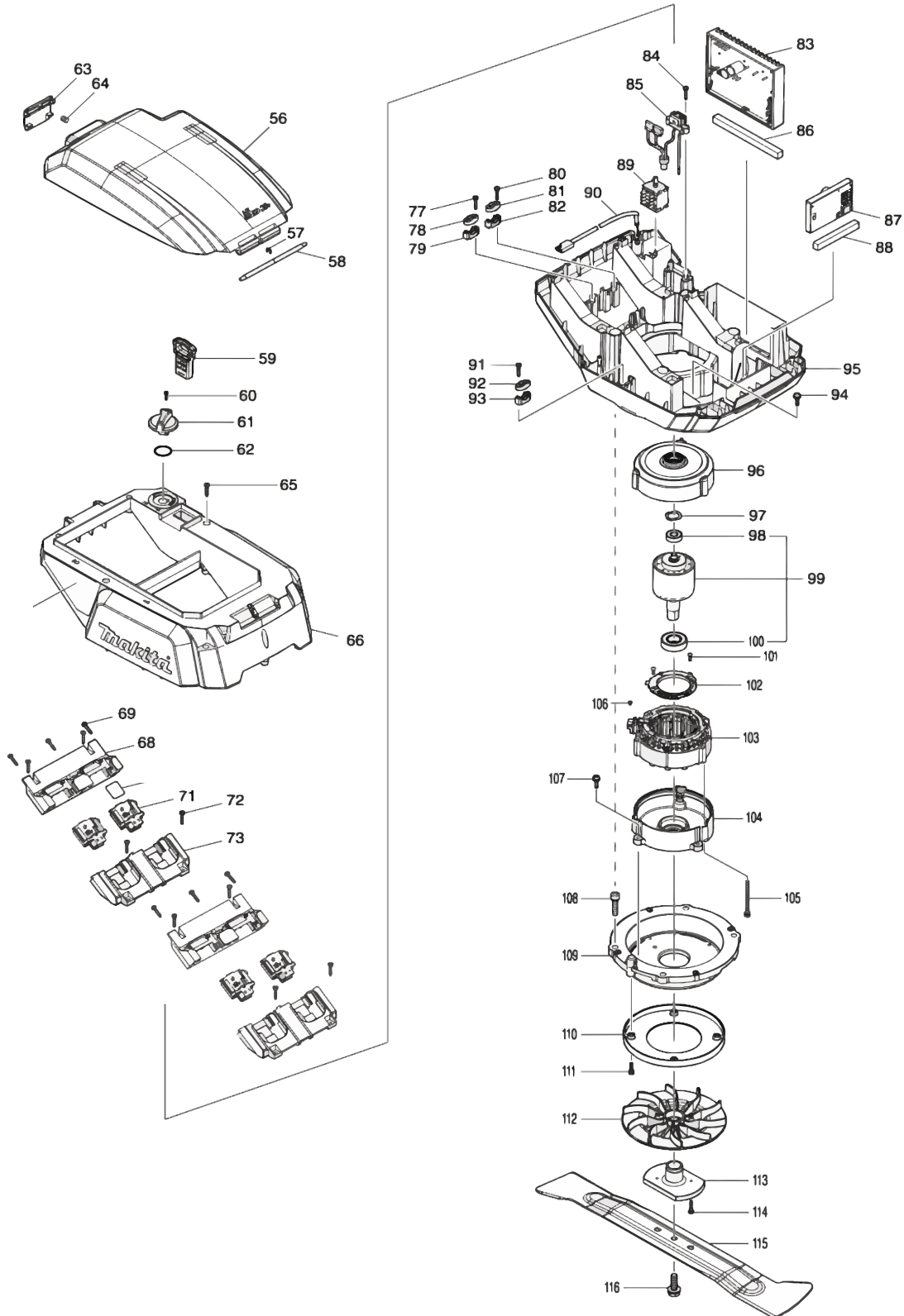


Products with multiple versions are listed in subsiding order with the newest version on top not indented.

| Section | Fig. No. | Part No. | Description | XML09 | Tech Bulletin | Notes |
|---------|----------|----------|-----------------------------|-------|---------------|---------|
| 1 | 1 | 327425-6 | DRIVING LEVER | 1 | | |
| 1 | 2 | 459859-6 | DRIVING LEVER HOLDER | 1 | | |
| 1 | 3 | 232566-4 | TORSION SPRING 12 | 1 | | |
| 1 | 4 | 911138-5 | PAN HEAD SCREW M4X20 | 1 | | |
| 1 | 5 | 459864-3 | DRIVING LEVER SUPPORT L | 1 | | |
| 1 | 6 | 267136-0 | FLAT WASHER 5 | 1 | | |
| 1 | 7 | 266424-2 | TAPPING SCREW 4X20 | 1 | | |
| 1 | 8 | 266424-2 | TAPPING SCREW 4X20 | 1 | | |
| 1 | 9 | 267136-0 | FLAT WASHER 5 | 1 | | |
| 1 | 10 | 459858-8 | DRIVING LEVER SUPPORT R | 1 | | |
| 1 | 11 | 911138-5 | PAN HEAD SCREW M4X20 | 1 | | |
| 1 | 12 | 459859-6 | DRIVING LEVER HOLDER | 1 | | |
| 1 | 13 | 266424-2 | TAPPING SCREW 4X20 | 6 | | |
| 1 | 14 | 183N90-3 | SWITCH BOX SET | 1 | | INC. 26 |
| 1 | 15 | 140F09-7 | SWITCH CIRCUIT COMPLETE | 1 | | |
| 1 | 16 | 140F10-2 | SWITCH CIRCUIT COMPLETE | 1 | | |
| 1 | 17 | 232575-3 | TORSION SPRING 12 | 1 | | |
| 1 | 18 | 266424-2 | TAPPING SCREW 4X20 | 2 | | |
| 1 | 19 | 687124-5 | STRAIN RELIEF | 1 | | |
| 1 | 20 | 459860-1 | SWITCH BOX | 1 | | |
| 1 | 21 | 620C48-0 | INDICATION CIRCUIT COMPLETE | 1 | | |
| 1 | 22 | 620415-1 | SUB CONTROLLER | 1 | | |
| 1 | 23 | 651083-9 | SWITCH C3XA-1PSPM | 1 | | |
| 1 | 24 | 459866-9 | SPEED LEVER HOLDER | 1 | | |
| 1 | 25 | 213897-0 | O-RING 26 | 1 | | |
| 1 | 26 | 183N90-3 | SWITCH BOX SET | 1 | | INC. 14 |
| 1 | 27 | 266424-2 | TAPPING SCREW 4X20 | 5 | | |
| 1 | 28 | 459865-1 | SPEED LEVER | 1 | | |
| 1 | 29 | 266424-2 | TAPPING SCREW 4X20 | 1 | | |
| 1 | 30 | 911138-5 | PAN HEAD SCREW M4X20 | 1 | | |
| 1 | 31 | 459863-5 | SWITCH LEVER SUPPORT L | 1 | | |
| 1 | 32 | 327424-8 | SWITCH LEVER | 1 | | |
| 1 | 33 | 459856-2 | SWITCH LEVER SUPPORT R | 1 | | |

Products with multiple versions are listed in subsiding order with the newest version on top not indented.

| Section | Fig. No. | Part No. | Description | XML09 | Tech Bulletin | Notes |
|---------|----------|----------|------------------------|-------|---------------|---------|
| 1 | 34 | 911138-5 | PAN HEAD SCREW M4X20 | 1 | | |
| 1 | 35 | 183P40-0 | LEVER BOX SET | 1 | | INC. 41 |
| 1 | 36 | 459857-0 | LOCK OFF BUTTON | 1 | | |
| 1 | 37 | 231227-3 | COMPRESSION SPRING 15 | 1 | | |
| 1 | 38 | 632E26-0 | SWITCH UNIT | 1 | | |
| 1 | 39 | 687124-5 | STRAIN RELIEF | 1 | | |
| 1 | 40 | 266424-2 | TAPPING SCREW 4X20 | 2 | | |
| 1 | 41 | 183P40-0 | LEVER BOX SET | 1 | | INC. 35 |
| 1 | 42 | 266424-2 | TAPPING SCREW 4X20 | 6 | | |
| 1 | 43 | 699143-9 | POWER SUPPLY CORD UNIT | 1 | | |
| 1 | 44 | 327421-4 | HANDLE UPPER | 1 | | |
| 1 | 45 | 252278-3 | HEX. CAP NUT M8 | 1 | | |
| 1 | 46 | 327491-3 | HANDLE LOWER | 1 | | |
| 1 | 47 | 265A62-3 | FLAT HEAD BOLT M8X38 | 1 | | |
| 1 | 48 | 265A62-3 | FLAT HEAD BOLT M8X38 | 1 | | |
| 1 | 49 | 252278-3 | HEX. CAP NUT M8 | 1 | | |
| 1 | 50 | 459905-5 | CLAMP | 1 | | |
| 1 | 51 | 921441-6 | HEX. BOLT M8X25 | 2 | | |
| 1 | 52 | 459905-5 | CLAMP | 1 | | |
| 1 | 53 | 921441-6 | HEX. BOLT M8X25 | 2 | | |
| 1 | 54 | 699142-1 | POWER SUPPLY CORD UNIT | 1 | | |

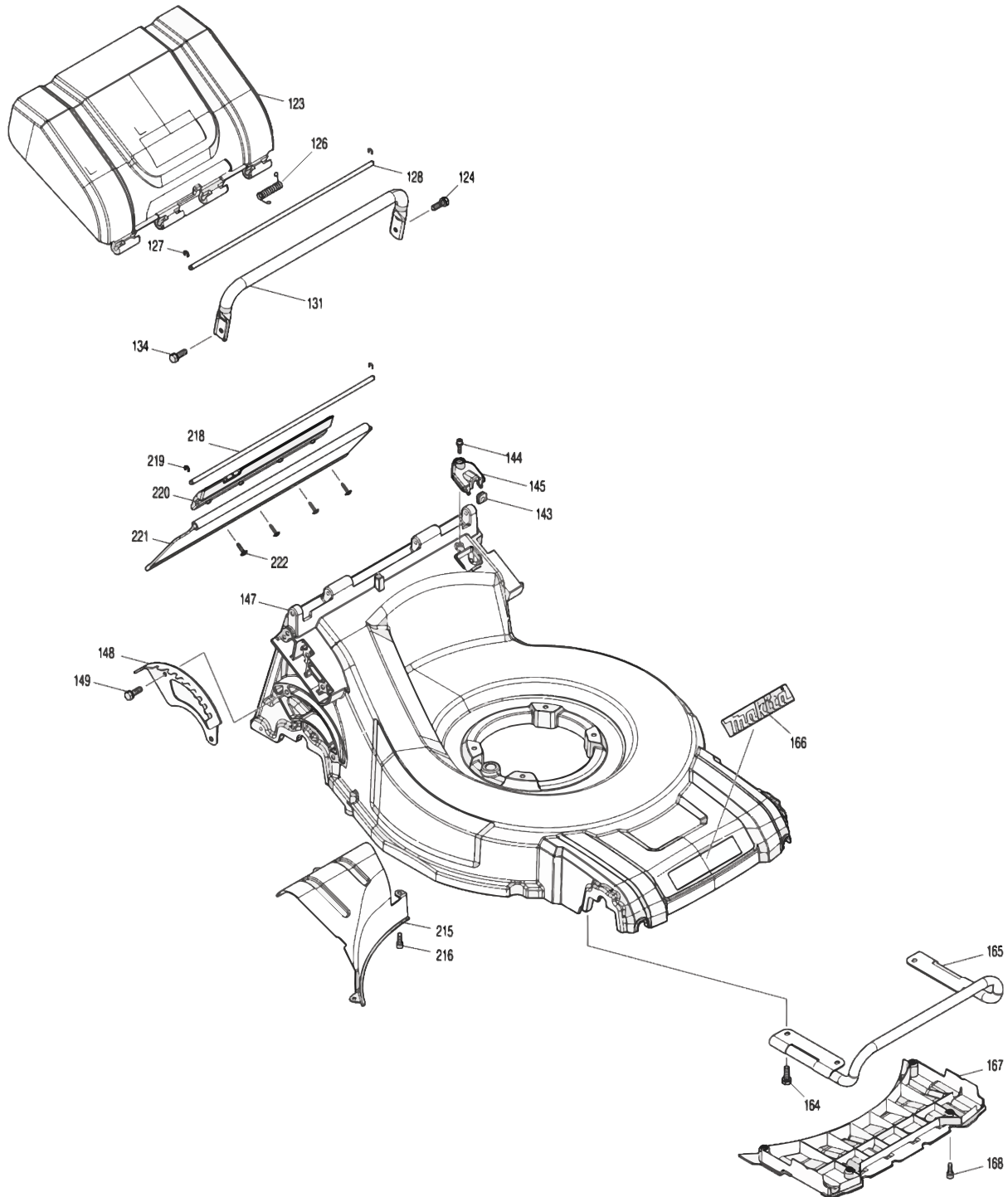


Products with multiple versions are listed in subsiding order with the newest version on top not indented.

| Section | Fig. No. | Part No. | Description | XML09 | Tech Bulletin | Notes |
|---------|----------|----------|-------------------------|-------|---------------|---------|
| 2 | 56 | 140S04-5 | BATTERY COVER COMPLETE | 1 | | |
| 2 | 57 | 961018-5 | STOP RING E-5 | 1 | | |
| 2 | 58 | 327536-7 | ROD 6 | 1 | | |
| 2 | 59 | 643535-4 | KEY | 1 | | |
| 2 | 60 | 266404-8 | TAPPING SCREW BIND 3X14 | 1 | | |
| 2 | 61 | 459851-2 | SWITCH LEVER | 1 | | |
| 2 | 62 | 213896-2 | O-RING 24 | 1 | | |
| 2 | 63 | 459852-0 | LOCK LEVER | 1 | | |
| 2 | 64 | 231037-8 | COMPRESSION SPRING 7 | 1 | | |
| 2 | 65 | 266424-2 | TAPPING SCREW 4X20 | 7 | | |
| 2 | 66 | 459847-3 | COWLING UPPER | 1 | | |
| 2 | 68 | 183N78-3 | TERMINAL HOUSING SET | 2 | | INC. 73 |
| 2 | 69 | 266424-2 | TAPPING SCREW 4X20 | 6 | | |
| 2 | 71 | 644809-6 | TERMINAL | 4 | | |
| 2 | 72 | 266424-2 | TAPPING SCREW 4X20 | 8 | | |
| 2 | 73 | 183N78-3 | TERMINAL HOUSING SET | 2 | | INC. 68 |
| 2 | 77 | 266424-2 | TAPPING SCREW 4X20 | 2 | | |
| 2 | 78 | 687124-5 | STRAIN RELIEF | 1 | | |
| 2 | 79 | 687051-6 | STRAIN RELIEF | 1 | | |
| 2 | 80 | 266424-2 | TAPPING SCREW 4X20 | 2 | | |
| 2 | 81 | 687124-5 | STRAIN RELIEF | 1 | | |
| 2 | 82 | 687051-6 | STRAIN RELIEF | 1 | | |
| 2 | 83 | 620C45-6 | CONTROLLER | 1 | | |
| 2 | 84 | 266424-2 | TAPPING SCREW 4X20 | 2 | | |
| 2 | 85 | 632P74-5 | LEAD UNIT | 1 | | |
| 2 | 86 | 422529-0 | SPONGE B | 1 | | |
| 2 | 87 | 620C47-2 | CONTROLLER | 1 | | |
| 2 | 88 | 422528-2 | SPONGE A | 1 | | |
| 2 | 89 | 651444-3 | SWITCH 1703.4703 | 1 | | |
| 2 | 90 | 699145-5 | POWER SUPPLY CORD UNIT | 1 | | |
| 2 | 91 | 266424-2 | TAPPING SCREW 4X20 | 2 | | |
| 2 | 92 | 687124-5 | STRAIN RELIEF | 1 | | |
| 2 | 93 | 687051-6 | STRAIN RELIEF | 1 | | |
| 2 | 94 | 911233-1 | PAN HEAD SCREW M5X20 | 4 | | |
| 2 | 95 | 459848-1 | COWLING LOWER | 1 | | |

Products with multiple versions are listed in subsiding order with the newest version on top not indented.

| Section | Fig. No. | Part No. | Description | XML09 | Tech Bulletin | Notes |
|---------|----------|----------|-----------------------------|-------|---------------|-------------|
| 2 | 96 | 319869-4 | MOTOR HOUSING UPPER | 1 | | |
| 2 | 97 | 253455-0 | WAVE WASHER 19 | 1 | | |
| 2 | 98 | 210141-6 | BALL BEARING 6000DDW | 1 | | |
| 2 | 99 | 519606-8 | ROTOR ASS'Y | 1 | | INC. 98,100 |
| 2 | 100 | 211387-7 | BALL BEARING 6004LLU | 1 | | |
| 2 | 101 | 265B29-7 | TAPPING SCREW PT 2X8 | 2 | | |
| 2 | 102 | 620B88-2 | CONTROLLER B | 1 | | |
| 2 | 103 | 629465-3 | STATOR | 1 | | |
| 2 | 104 | 319870-9 | MOTOR HOUSING LOWER | 1 | | |
| 2 | 105 | 911691-1 | PAN HEAD SCREW M5X70 | 3 | | |
| 2 | 106 | 652031-1 | PAN HEAD SCREW M3X6 | 3 | | |
| 2 | 107 | 911233-1 | PAN HEAD SCREW M5X20 | 4 | | |
| 2 | 108 | 922456-6 | HEX. SOCKET HEAD BOLT M8X35 | 4 | | |
| 2 | 109 | 319867-8 | MOTOR BRACKET | 1 | | |
| 2 | 110 | 459853-8 | BAFFLE PLATE | 1 | | |
| 2 | 111 | 911126-2 | PAN HEAD SCREW M4X16 | 4 | | |
| 2 | 112 | 240205-2 | FAN 170 | 1 | | |
| 2 | 113 | 319868-6 | BLADE SUPPORT | 1 | | |
| 2 | 114 | 266424-2 | TAPPING SCREW 4X20 | 2 | | |
| 2 | 115 | 191D52-7 | BLADE 530 SET | 1 | | |
| 2 | 116 | 265A69-9 | HEX. BOLT M10X35 WITH WG | 1 | | |



Products with multiple versions are listed in subsiding order with the newest version on top not indented.

| Section | Fig. No. | Part No. | Description | XML09 | Tech Bulletin | Notes |
|---------|----------|----------|-----------------------------|-------|---------------|-------|
| 3 | 123 | 162811-2 | REAR FLAP COMPLETE | 1 | | |
| 3 | 124 | 921441-6 | HEX. BOLT M8X25 | 1 | | |
| 3 | 126 | 233597-6 | TORSION SPRING 8 | 1 | | |
| 3 | 127 | 961018-5 | STOP RING E-5 | 2 | | |
| 3 | 128 | 327418-3 | ROD 6 | 1 | | |
| 3 | 131 | 327492-1 | REAR GRIP | 1 | | |
| 3 | 134 | 921441-6 | HEX. BOLT M8X25 | 1 | | |
| 3 | 143 | 422526-6 | GROMMET | 1 | | |
| 3 | 144 | 922233-6 | H.S.H.BOLT M5X20 WITH WR | 1 | | |
| 3 | 145 | 412262-2 | LEAD COVER | 1 | | |
| 3 | 147 | 319918-7 | DECK | 1 | | |
| 3 | 148 | 347582-4 | HEIGHT ADJUST PLATE | 1 | | |
| 3 | 149 | 921441-6 | HEX. BOLT M8X25 | 2 | | |
| 3 | 164 | 921441-6 | HEX. BOLT M8X25 | 4 | | |
| 3 | 165 | 162740-9 | FRONT GRIP | 1 | | |
| 3 | 166 | 412499-1 | MAKITA LOGO PLATE | 1 | | |
| 3 | 167 | 412263-0 | DECK UNDER COVER | 1 | | |
| 3 | 168 | 922331-6 | HEX. SOCKET HEAD BOLT M6X20 | 4 | | |
| 3 | 215 | 347648-0 | REAR GUIDE PLATE | 1 | | |
| 3 | 216 | 922331-6 | HEX. SOCKET HEAD BOLT M6X20 | 3 | | |
| 3 | 218 | 327418-3 | ROD 6 | 1 | | |
| 3 | 219 | 961018-5 | STOP RING E-5 | 2 | | |
| 3 | 220 | 412412-9 | PROTECTIVE SHIELD HOLDER | 1 | | |
| 3 | 221 | 422540-2 | PROTECTIVE SHIELD | 1 | | |
| 3 | 222 | 265B00-1 | TAPPING SCREW FLANGE 4X12 | 4 | | |

Products with multiple versions are listed in subsiding order with the newest version on top not indented.

| Section | Fig. No. | Part No. | Description | XML09 | Tech Bulletin | Notes |
|---------|----------|----------|------------------------------|-------|---------------|--------------|
| 4 | 55 | 127504-8 | GRASS CATCHER ASSEMBLY | 1 | | |
| 4 | 117 | 127550-1 | MULCHING PLUG ASSEMBLY | 1 | | INC. 118-121 |
| 4 | 118 | 459884-7 | LOCK LEVER | 1 | | |
| 4 | 119 | 231401-3 | COMPRESSION SPRING 7 | 1 | | |
| 4 | 120 | 459885-5 | LOCK LEVER SUPPORT | 1 | | |
| 4 | 121 | 266424-2 | TAPPING SCREW 4X20 | 2 | | |
| 4 | 135 | 232628-8 | TENSION SPRING 16 | 1 | | |
| 4 | 136 | 347647-2 | CONNECTING ROD | 1 | | |
| 4 | 137 | 941151-9 | FLAT WASHER 6 | 1 | | |
| 4 | 138 | 252014-7 | HEX. LOCK NUT M6-10 | 1 | | |
| 4 | 139 | 267216-2 | FLAT WASHER 8 | 1 | | |
| 4 | 140 | 252014-7 | HEX. LOCK NUT M6-10 | 1 | | |
| 4 | 141 | 941151-9 | FLAT WASHER 6 | 1 | | |
| 4 | 142 | 253762-1 | FLAT WASHER 8 | 1 | | |
| 4 | 146 | 683A20-1 | POLYOLEFIN TUBE | 1 | | |
| 4 | 150 | 922331-6 | HEX. SOCKET HEAD BOLT M6X20 | 4 | | |
| 4 | 151 | 313290-9 | REAR SHAFT HOLDER COVER | 2 | | |
| 4 | 152 | 347649-8 | REAR SHAFT HOLDER SUPPORT | 2 | | |
| 4 | 169 | 265324-3 | HEX. FLANGE HEAD BOLT M8X12 | 1 | | |
| 4 | 170 | 211247-3 | BALL BEARING 6002DDW | 1 | | |
| 4 | 171 | 127513-7 | REAR WHEEL ASSEMBLY | 1 | | |
| 4 | 172 | 211247-3 | BALL BEARING 6002DDW | 1 | | |
| 4 | 173 | 226941-4 | SPUR GEAR 49 | 1 | | |
| 4 | 174 | 961052-5 | RETAINING RING S-12 | 1 | | |
| 4 | 175 | 226940-6 | SPUR GEAR 12 | 1 | | |
| 4 | 176 | 347586-6 | GEAR HOLDER PLATE | 1 | | |
| 4 | 177 | 266424-2 | TAPPING SCREW 4X20 | 2 | | |
| 4 | 178 | 911213-7 | PAN HEAD SCREW M5X12 | 2 | | |
| 4 | 179 | 459867-7 | WHEEL CAP | 1 | | |
| 4 | 180 | 911213-7 | PAN HEAD SCREW M5X12 | 3 | | |
| 4 | 181 | 327426-4 | REAR SHAFT HOLDER | 1 | | |
| 4 | 182 | 210163-6 | BALL BEARING 6001DDW | 1 | | |
| 4 | 183 | 162689-3 | REAR SHAFT | 1 | | |
| 4 | 184 | 922311-2 | HEX. SOCKET HEAD BOLT M6X12 | 2 | | |
| 4 | 185 | 162694-0 | HEIGHT ADJUST LEVER COMPLETE | 1 | | |

Products with multiple versions are listed in subsiding order with the newest version on top not indented.

| Section | Fig. No. | Part No. | Description | XML09 | Tech Bulletin | Notes |
|---------|----------|----------|-----------------------------|-------|---------------|--------------|
| 4 | 186 | 327426-4 | REAR SHAFT HOLDER | 1 | | |
| 4 | 187 | 210163-6 | BALL BEARING 6001DDW | 1 | | |
| 4 | 188 | 911213-7 | PAN HEAD SCREW M5X12 | 3 | | |
| 4 | 189 | 459867-7 | WHEEL CAP | 1 | | |
| 4 | 190 | 911213-7 | PAN HEAD SCREW M5X12 | 2 | | |
| 4 | 191 | 347586-6 | GEAR HOLDER PLATE | 1 | | |
| 4 | 192 | 226941-4 | SPUR GEAR 49 | 1 | | |
| 4 | 193 | 226940-6 | SPUR GEAR 12 | 1 | | |
| 4 | 194 | 961052-5 | RETAINING RING S-12 | 1 | | |
| 4 | 195 | 211247-3 | BALL BEARING 6002DDW | 1 | | |
| 4 | 196 | 127513-7 | REAR WHEEL ASSEMBLY | 1 | | |
| 4 | 197 | 211247-3 | BALL BEARING 6002DDW | 1 | | |
| 4 | 198 | 265324-3 | HEX. FLANGE HEAD BOLT M8X12 | 1 | | |
| 4 | 199 | 266388-0 | TAPPING SCREW 5X16 | 2 | | |
| 4 | 200 | 347646-4 | BRACKET | 1 | | |
| 4 | 201 | 922331-6 | HEX. SOCKET HEAD BOLT M6X20 | 1 | | |
| 4 | 202 | 127510-3 | DRIVE UNIT ASSEMBLY | 1 | | |
| 4 | 203 | 265324-3 | HEX. FLANGE HEAD BOLT M8X12 | 1 | | |
| 4 | 204 | 211247-3 | BALL BEARING 6002DDW | 1 | | |
| 4 | 205 | 127514-5 | FRONT WHEEL ASSEMBLY | 1 | | |
| 4 | 206 | 211247-3 | BALL BEARING 6002DDW | 1 | | |
| 4 | 207 | 162688-5 | FRONT SHAFT | 1 | | |
| 4 | 208 | 211247-3 | BALL BEARING 6002DDW | 1 | | |
| 4 | 209 | 127514-5 | FRONT WHEEL ASSEMBLY | 1 | | |
| 4 | 210 | 211247-3 | BALL BEARING 6002DDW | 1 | | |
| 4 | 211 | 265324-3 | HEX. FLANGE HEAD BOLT M8X12 | 1 | | |
| 4 | 212 | 347645-6 | FRONT SHAFT PLATE | 2 | | |
| 4 | 213 | 922331-6 | HEX. SOCKET HEAD BOLT M6X20 | 4 | | |
| 4 | 214 | 266424-2 | TAPPING SCREW 4X20 | 2 | | |
| 4 | 217 | 412264-8 | FRONT SHAFT SUPPORT | 2 | | |
| | A01 | 327589-6 | ROD 6 | 1 | | Not Pictured |
| | A02 | 782210-8 | SOCKET WRENCH 17 | 1 | | Not Pictured |
| | A03 | 782212-4 | SOCKET WRENCH 13 | 1 | | Not Pictured |
| | A06B | 197283-2 | BATTERY BL1850B SET | 2 | | Not Pictured |
| | E01 | 632P90-7 | FUSE UNIT | 1 | | Not Pictured |