

01 Jun 2009

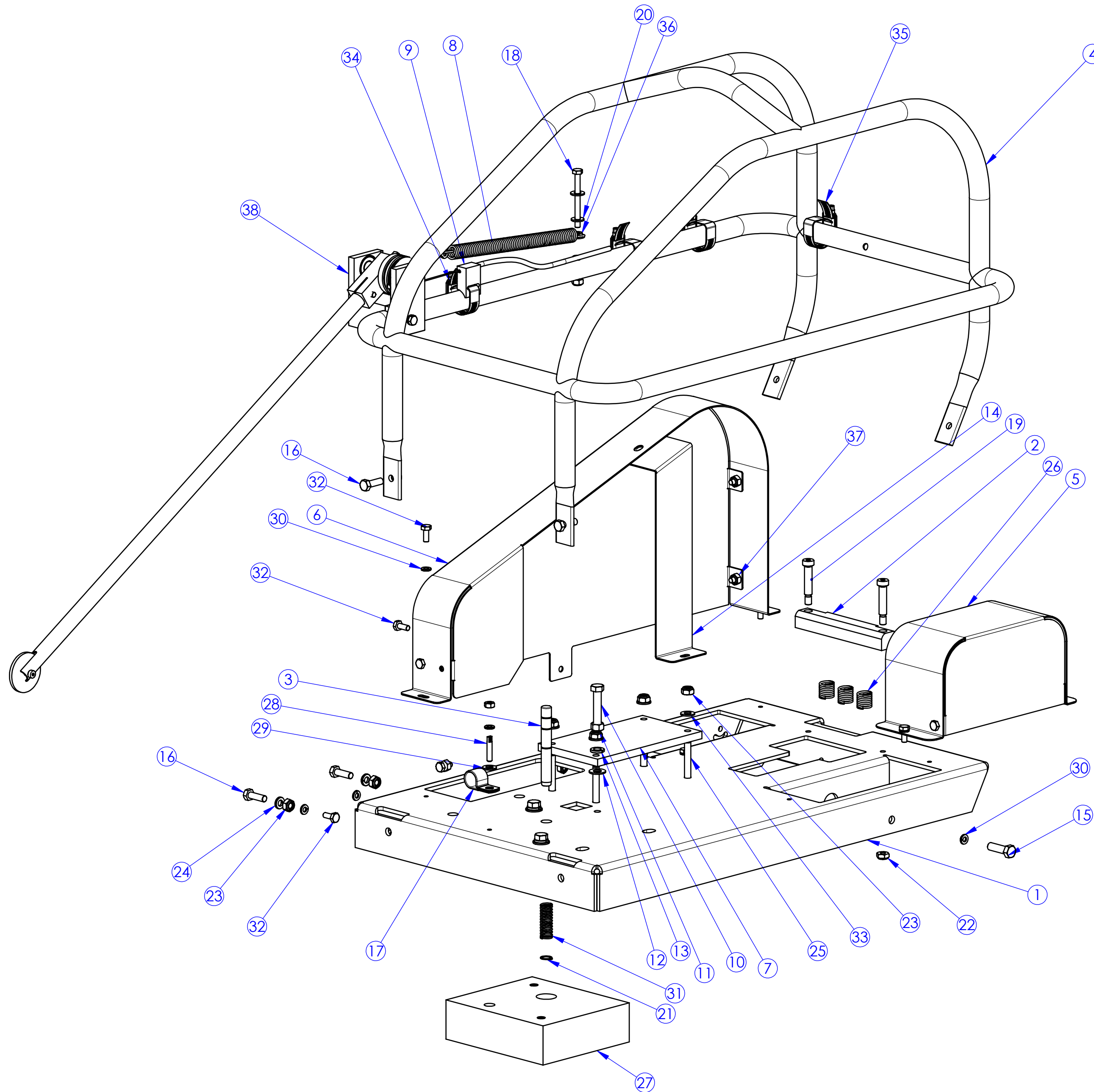
Husqvarna X750

Illustrated Parts List

574 64 94-07



510272509

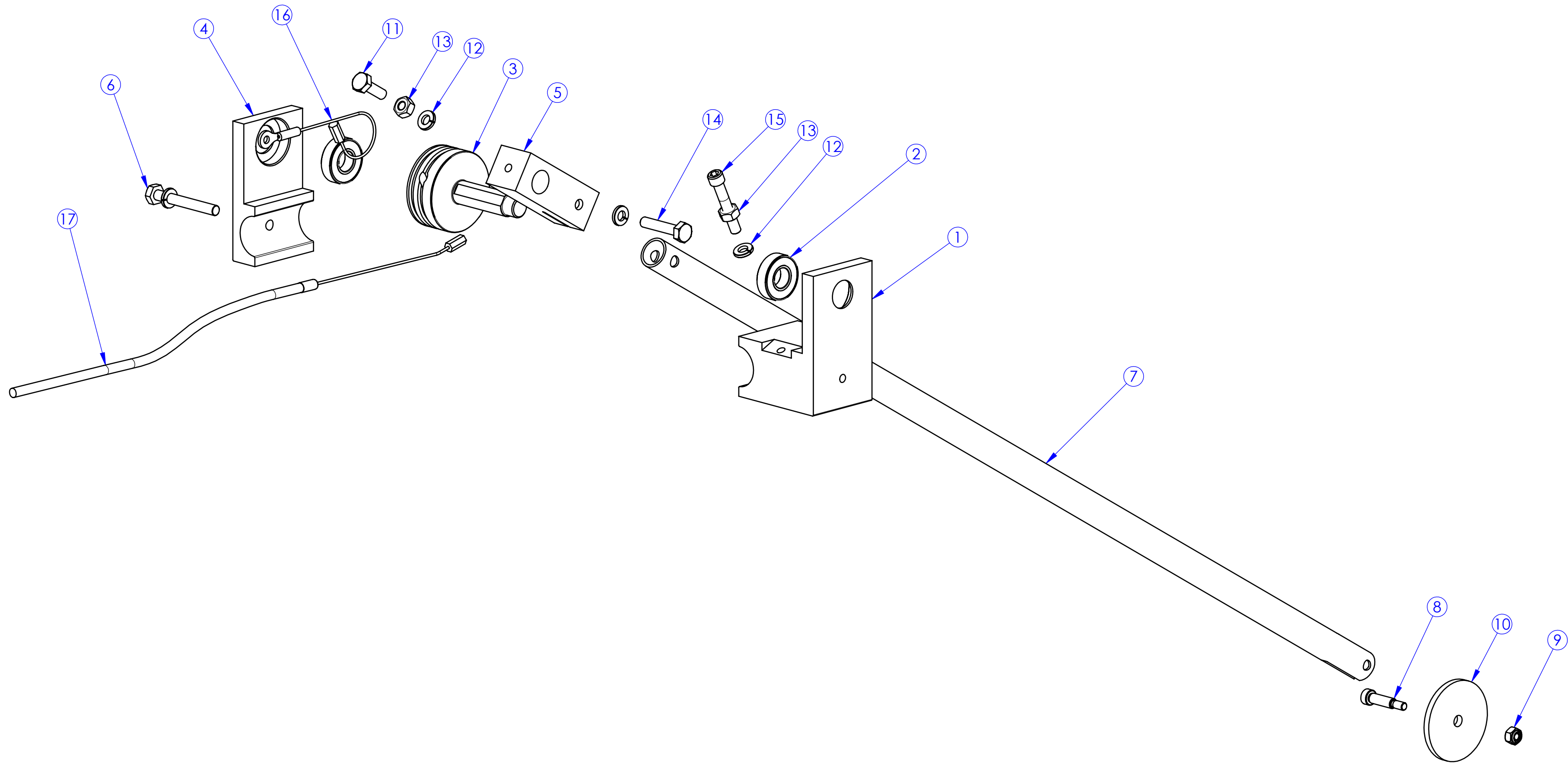


ITEM NO.	PART NUMBER	DESCRIPTION	QTY.
1	505839501	MAINFRAME, X750	1
2	505831901	BLOCK, SPRING	1
3	505816901	SHAFT, ARBOR LOCK	1
4	505839401	ROLL CAGE, X750	1
5	505840301	COVER, REAR WHEEL	1
6	505840201	BELT COVER	1
7	505655401	PAD, MOTOR MOUNT	1
8	505737301	SPRING, EXTENSION	1
9	505819201	BLOCK, CABLE MOUNT	1
10	505821201	HHB 3/8-16 X 2 S.S. ALL THRD	1
11	505732101	NUT, 3/8-16 HEX, GR5 ZINC	1
12	505724601	WASHER, 3/8" FLAT	3
13	505731001	WASHER, SPLIT 3/8" S.S.	3
14	505840701	COVER, BELT, EXT, X750	1
15	505727601	HHB 3/8-16 X 1 1/4	4
16	505727501	HHB 5/16-18 X 1	6
17	505775801	HOSE CLAMP, OIL DRAIN	1
18	505728001	HHB 1/4-20 X 2.75 S.S. ALL THRD	1
19	505833501	SHSB, 3/8 x 1 1/2	2
20	505632001	WASHER, 1/4" FLAT S.S.	1
21	505647801	SNAP RING, EXT .500"	1
22	505631701	NUT, NYLOC, 5/16-18 .265 HT.	2
23	505630601	NUT, NYLOC, 5/16-18 CAD	10
24	505633001	WASHER, SPLIT 5/16" S.S.	2
25	505687701	HHB 5/16-18 X 2 GR8	4
26	505824001	SPRING, PUMP	3
27	510345701	HOUSING, ARBOR LOCK	1
28	505774501	SPRING ANCHOR, 1/4-20 X 1	1
29	505725501	WASHER, 1/4" FLAT SAE ZINC	1
30	505632801	WASHER, SPLIT 1/4" S.S.	11
31	505824101	SPRING, ARBOR LOCK	1
32	505627401	HHB 1/4-20 X .625 S.S.	14
33	505632101	WASHER, 5/16" FLAT SAE CAD	6
34	505822501	HOSE CLAMP, .625"W X 1.50"	1
35	505834301	HOSE CLAMP, .313"W x 1.50"	3
36	505631901	NUT, 1/4-20 HEX, S.S.	2
37	505630501	NUT, NYLOC, 1/4-20 CAD	8
38	510272609	GUIDE ARM ASSEMBLY	1

SUB-ASSEMBLY BILL OF MATERIAL

SOFF-CUT INT'L, INC. CLAIMS PROPRIETARY RIGHTS TO THE MATERIAL DISCLOSED IN THIS DOCUMENT. THIS DOCUMENT IS PROVIDED IN CONFIDENCE AND MAY NOT BE REPRODUCED OR DISCLOSED WITHOUT WRITTEN PERMISSION FROM SOFF-CUT INT'L. © COPYRIGHT 2007, SOFF-CUT INT'L, INC. ALL RIGHTS RESERVED.

510272609

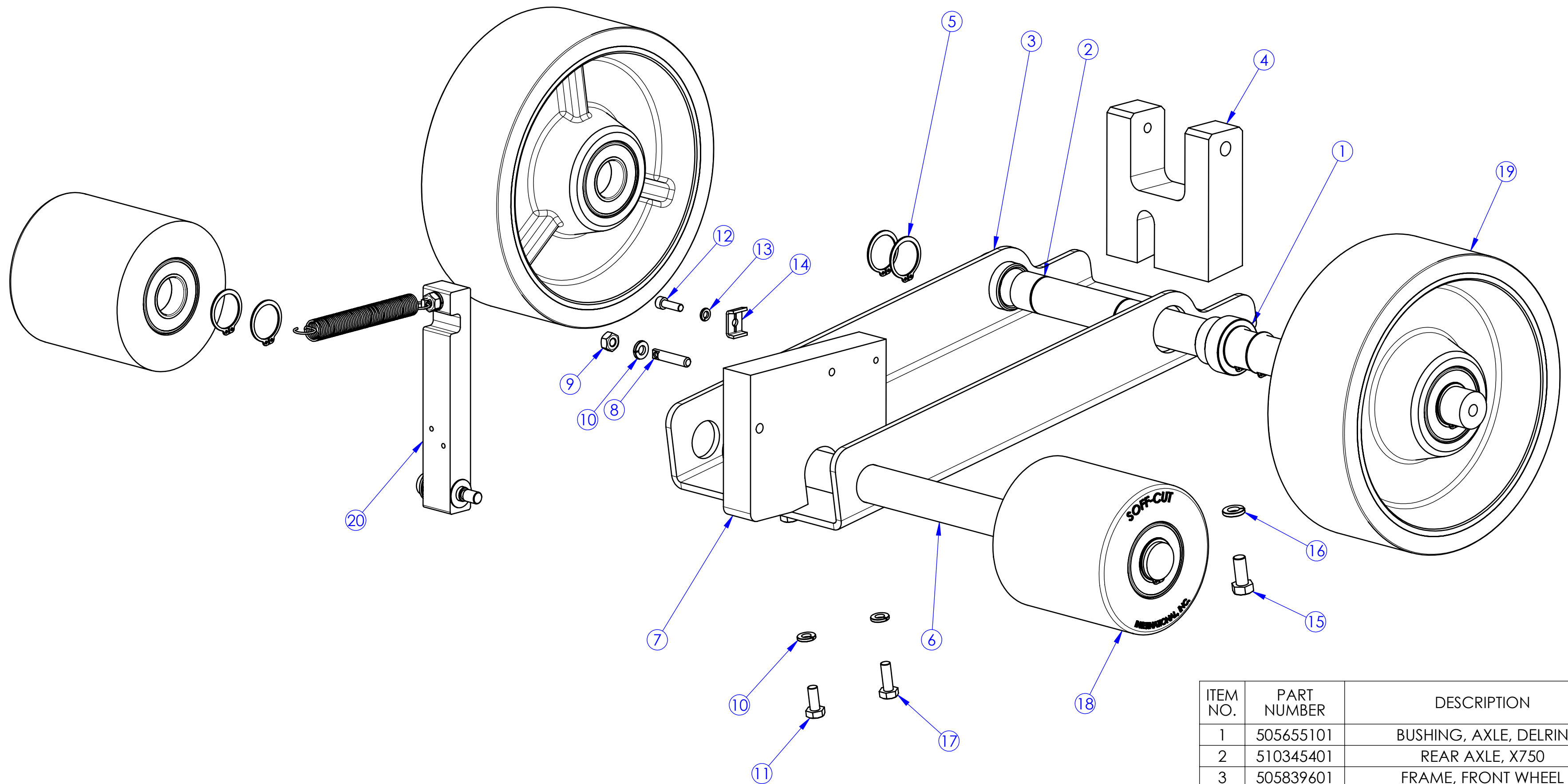


ITEM NO.	PART NUMBER	DESCRIPTION	QTY.
1	510345801	BLOCK, GUIDE ARM MOUNT	1
2	505654801	BEARING, .500 ID, R8-2RS	2
3	505816101	PULLEY, GUIDE ARM	1
4	510345901	BLOCK, PULLEY MOUNT	1
5	505816201	GUIDE ARM MOUNTING BLOCK	1
6	505728101	HHB 1/4-20 X 2 S.S. ALL THRD	1
7	505677301	TUBE, GUIDE ARM	1
8	505725801	SHSB, 1/4 X 3/4	1
9	505630401	NUT, NYLOC, #10-24 CAD	1
10	505614201	WHEEL, GUIDE	1
11	505627501	HHB 1/4-20 X .75 S.S.	1
12	505632801	WASHER, SPLIT 1/4" S.S.	4
13	505631901	NUT, 1/4-20 HEX, S.S.	2
14	505728301	HHB 1/4-20 X 1.25 S.S. ALL THRD	1
15	505728801	SHCS 1/4-20 X 1 1/2 S.S.	1
16	505823301	CABLE, GUIDE ARM RETURN	1
17	505823101	CABLE, GUIDE ARM	1

SUB-ASSEMBLY BILL OF MATERIAL

SOFF-CUT INT'L, INC. CLAIMS PROPRIETARY RIGHTS TO THE MATERIAL DISCLOSED IN THIS DOCUMENT. THIS DOCUMENT IS PROVIDED IN CONFIDENCE AND MAY NOT BE REPRODUCED OR DISCLOSED WITHOUT WRITTEN PERMISSION FROM SOFF-CUT INT'L. © COPYRIGHT 2005, SOFF-CUT INT'L, INC. ALL RIGHTS RESERVED.

510271409

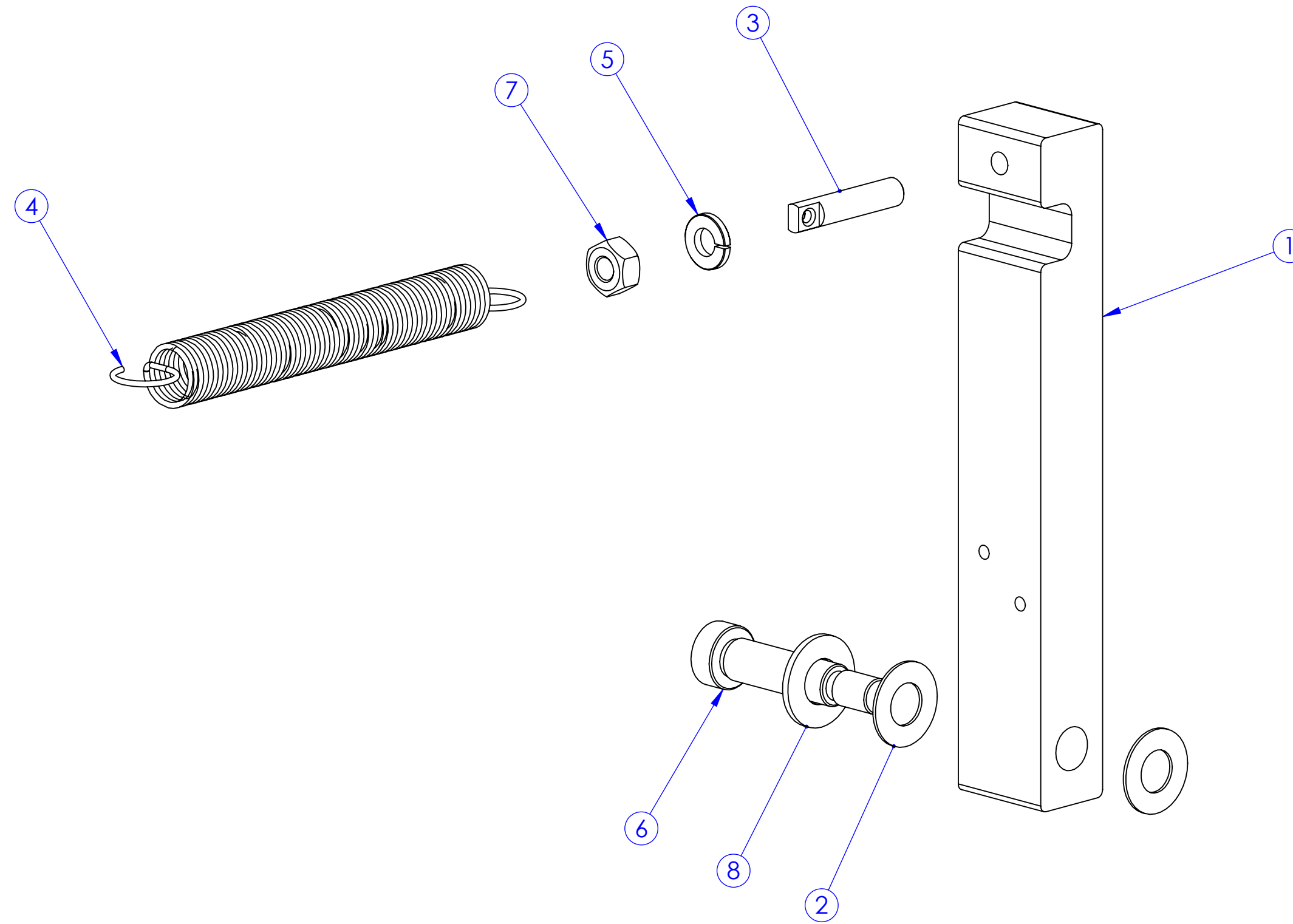


ITEM NO.	PART NUMBER	DESCRIPTION	QTY.
1	505655101	BUSHING, AXLE, DELRIN	2
2	510345401	REAR AXLE, X750	1
3	505839601	FRAME, FRONT WHEEL	1
4	510345301	BLOCK, PUMP SUPPORT	1
5	505733401	SNAP RING, EXT 1.000"	8
6	510345501	FRONT AXLE, X750	1
7	510345201	BRACKET, DEPTH STOP	1
8	505774501	SPRING ANCHOR, 1/4-20 X 1	1
9	505631901	NUT, 1/4-20 HEX, S.S.	1
10	505632801	WASHER, SPLIT 1/4" S.S.	4
11	505627401	HHB 1/4-20 X .625 S.S.	1
12	505729701	SHCS 10-32 X 5/8 S.S.	1
13	505633101	WASHER, SPLIT #10 S.S.	1
14	505648901	CLAMP, METAL	1
15	505821001	HHB 5/16-18 X .75	2
16	505633001	WASHER, SPLIT 5/16" S.S.	2
17	505627501	HHB 1/4-20 X .75 S.S.	2
18	505864401	WHEEL ASSY, 4"D X 4"W, NO HUB	2
19	505842601	WHEEL ASSY, REAR, 8" D X 2.81" W	2
20	510272709	BLADE RELEASE ARM	1

SUB-ASSEMBLY BILL OF MATERIAL

SOFF-CUT INT'L, INC. CLAIMS PROPRIETARY RIGHTS TO THE MATERIAL DISCLOSED IN THIS DOCUMENT. THIS DOCUMENT IS PROVIDED IN CONFIDENCE AND MAY NOT BE REPRODUCED OR DISCLOSED WITHOUT WRITTEN PERMISSION FROM SOFF-CUT INT'L. © COPYRIGHT 2007, SOFF-CUT INT'L, INC. ALL RIGHTS RESERVED.

510272709

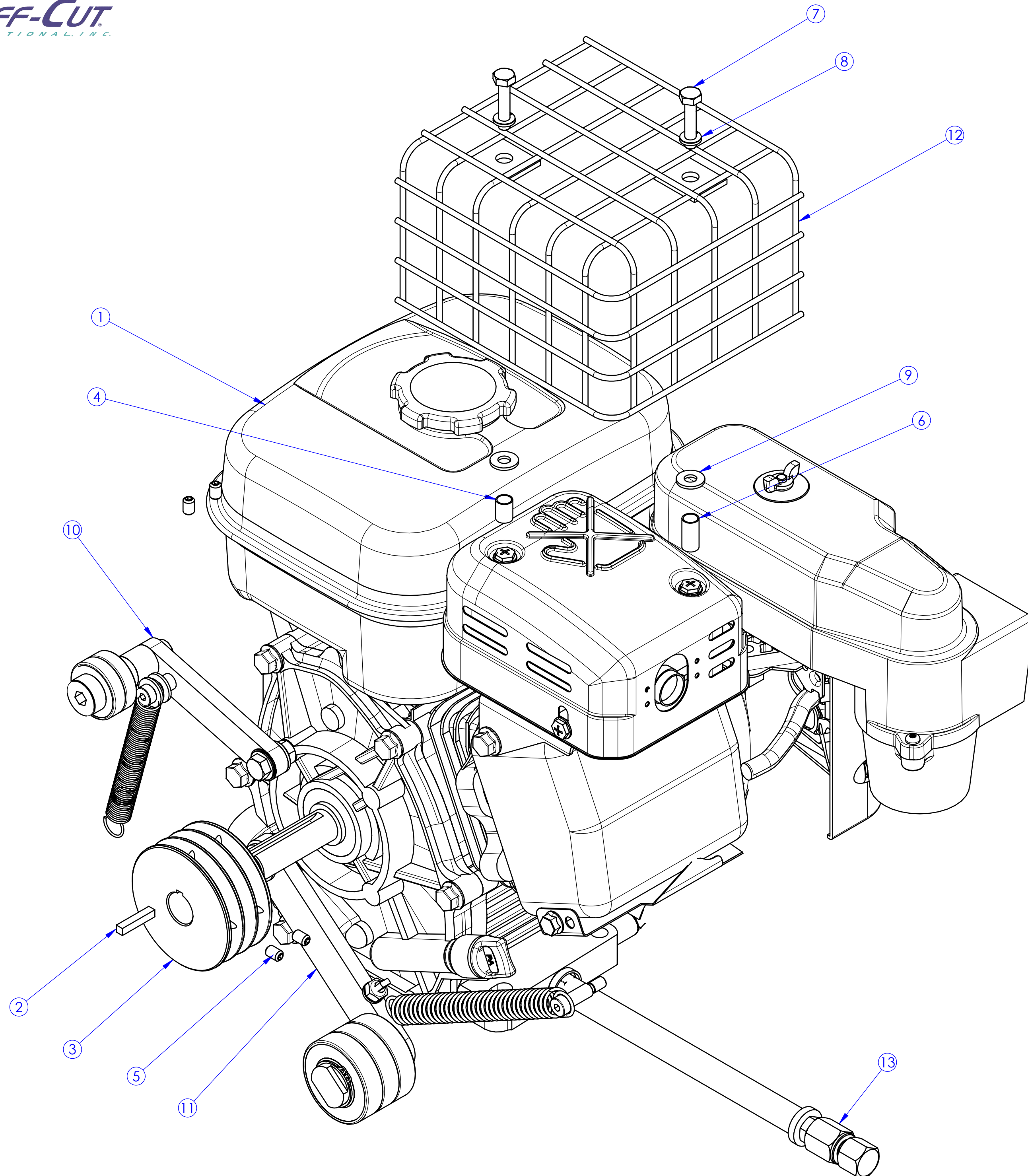


ITEM NO.	PART NUMBER	DESCRIPTION	QTY.
1	505839901	ARM, DEPTH GAUGE	1
2	505634501	WASHER, 3/8" DELRIN	2
3	505774501	SPRING ANCHOR, 1/4-20 X 1	1
4	505737901	SPRING, EXTENSION	1
5	505632801	WASHER, SPLIT 1/4" S.S.	1
6	505820701	SHSB, 3/8 x 1 1/4	1
7	505631901	NUT, 1/4-20 HEX, S.S.	1
8	505724601	WASHER, 3/8" FLAT	1

SUB-ASSEMBLY BILL OF MATERIAL

SOFF-CUT INT'L, INC. CLAIMS PROPRIETARY RIGHTS TO THE MATERIAL DISCLOSED IN THIS DOCUMENT. THIS DOCUMENT IS PROVIDED IN CONFIDENCE AND MAY NOT BE REPRODUCED OR DISCLOSED WITHOUT WRITTEN PERMISSION FROM SOFF-CUT INT'L. © COPYRIGHT 2007, SOFF-CUT INT'L, INC. ALL RIGHTS RESERVED.

510271609

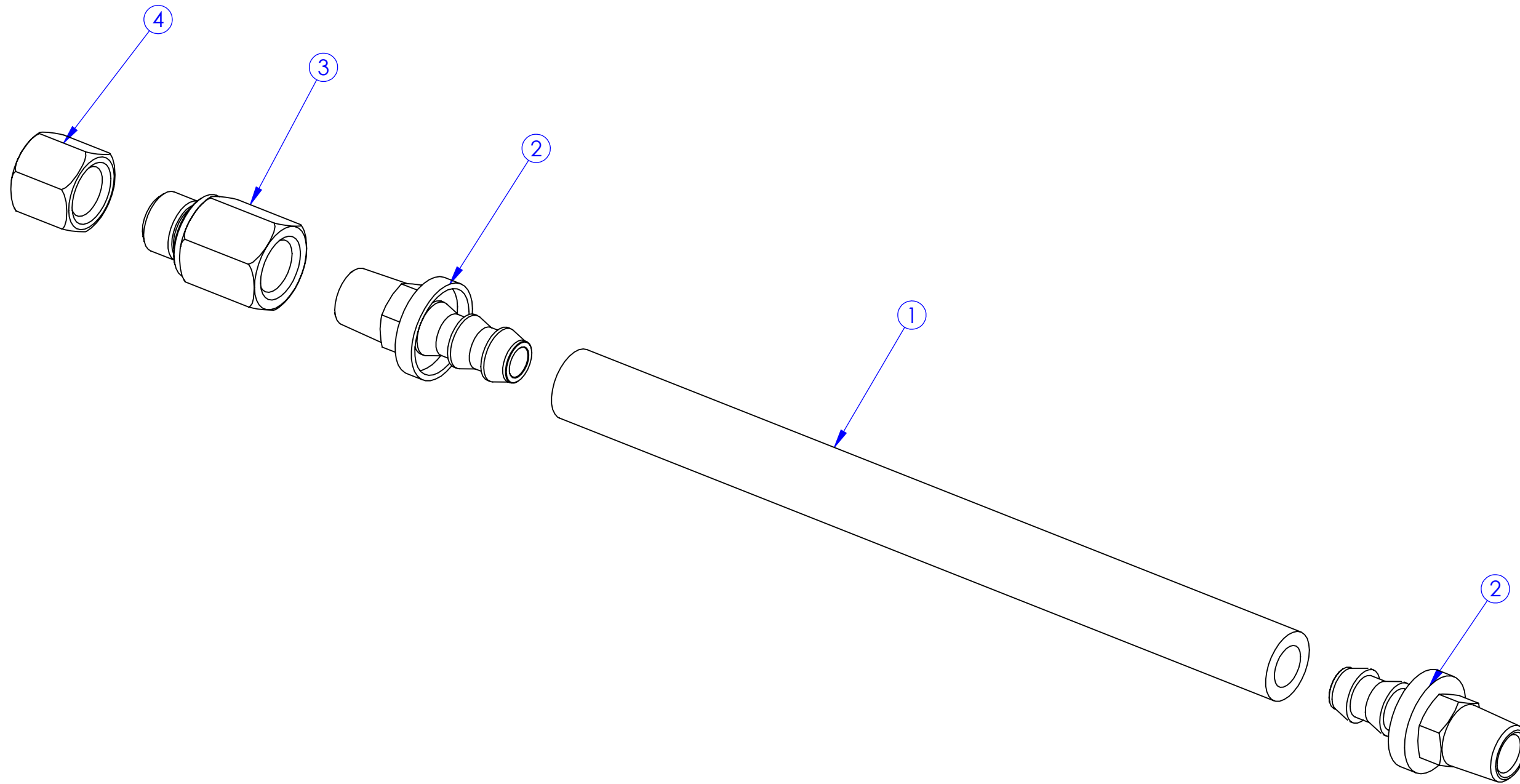


ITEM NO.	PART NUMBER	DESCRIPTION	QTY.
1	505842701	ENGINE 6HP	1
2	510317301	KEY, 3/16 X 3/16 X 1.00	1
3	510346701	SHEAVE, 3/3V 3.00 OD X .750 ID	1
4	510346101	SPACER, .313" ID X .500" L	1
5	505733801	SET SCREW, KNURLED .250-20 X .375	4
6	505684401	SPACER, .313"ID X .770"L	1
7	505727401	HHB 1/4-20 X 1.25 GR8	2
8	505632801	WASHER, SPLIT 1/4" S.S.	2
9	505632001	WASHER, 1/4" FLAT S.S.	2
10	510271809	PUMP IDLER ASSEMBLY	1
11	510271709	BLADE IDLER ASSEMBLY	1
12	505841601	MUFFLER GUARD, X750	1
13	505857503	KIT, OIL DRAIN	1

SUB-ASSEMBLY BILL OF MATERIAL

SOFF-CUT INT'L, INC. CLAIMS PROPRIETARY RIGHTS TO THE MATERIAL DISCLOSED IN THIS DOCUMENT. THIS DOCUMENT IS PROVIDED IN CONFIDENCE AND MAY NOT BE REPRODUCED OR DISCLOSED WITHOUT WRITTEN PERMISSION FROM SOFF-CUT INT'L. © COPYRIGHT 2005, SOFF-CUT INT'L, INC. ALL RIGHTS RESERVED.

505857503

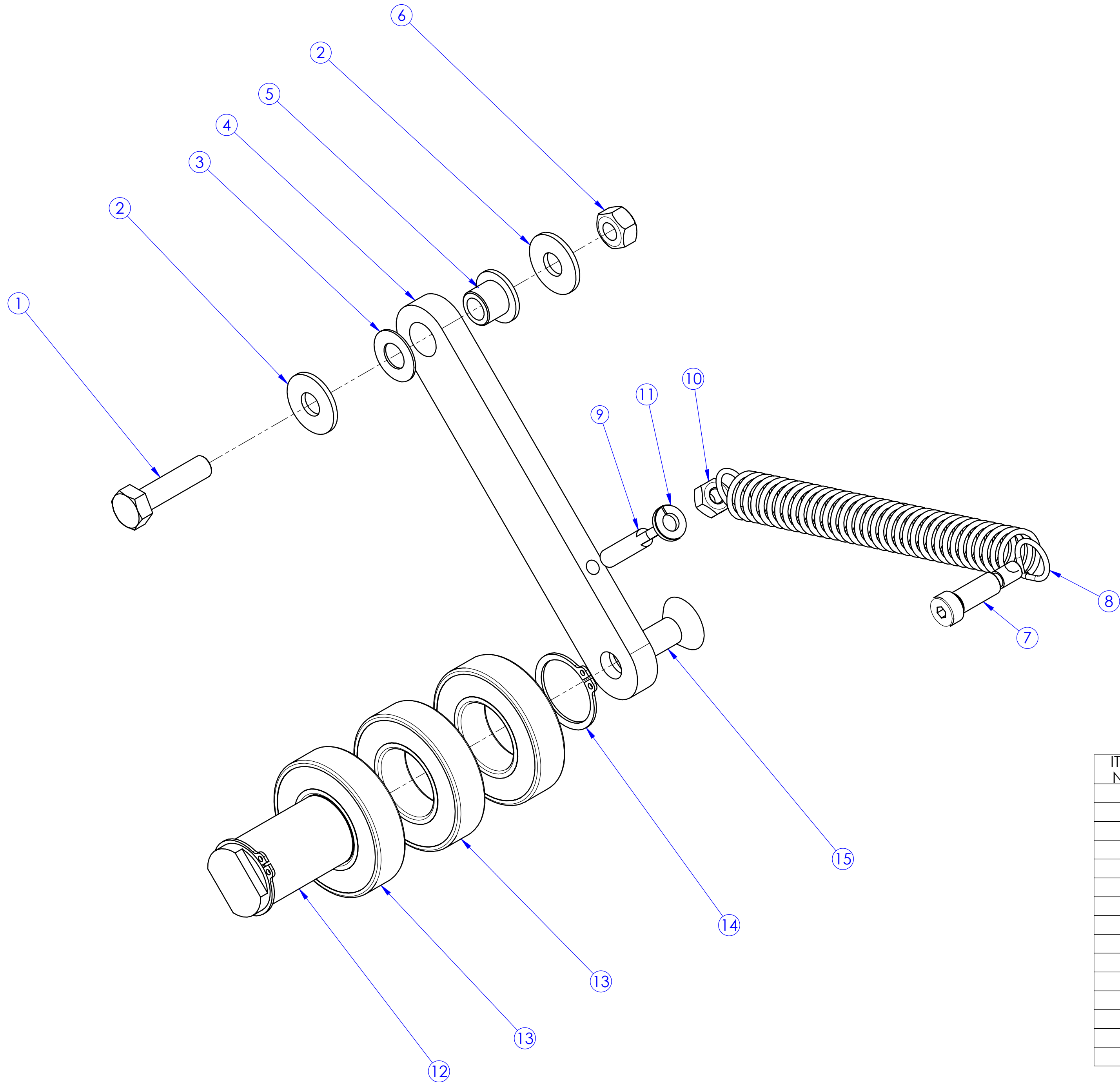


ITEM NO.	PART NUMBER	DESCRIPTION	QTY.
1	505738501	HOSE, OIL DRAIN	1
2	505738601	FITTING, OIL DRAIN BARB	2
3	505776701	FITTING, 1/4 NPT TO 14MM	1
4	505776601	CAP, OIL DRAIN	1

SUB-ASSEMBLY BILL OF MATERIAL

SOFF-CUT INT'L, INC. CLAIMS PROPRIETARY RIGHTS TO THE MATERIAL DISCLOSED IN THIS DOCUMENT. THIS DOCUMENT IS PROVIDED IN CONFIDENCE AND MAY NOT BE REPRODUCED OR DISCLOSED WITHOUT WRITTEN PERMISSION FROM SOFF-CUT INT'L. © COPYRIGHT 2005, SOFF-CUT INT'L, INC. ALL RIGHTS RESERVED.

510271909

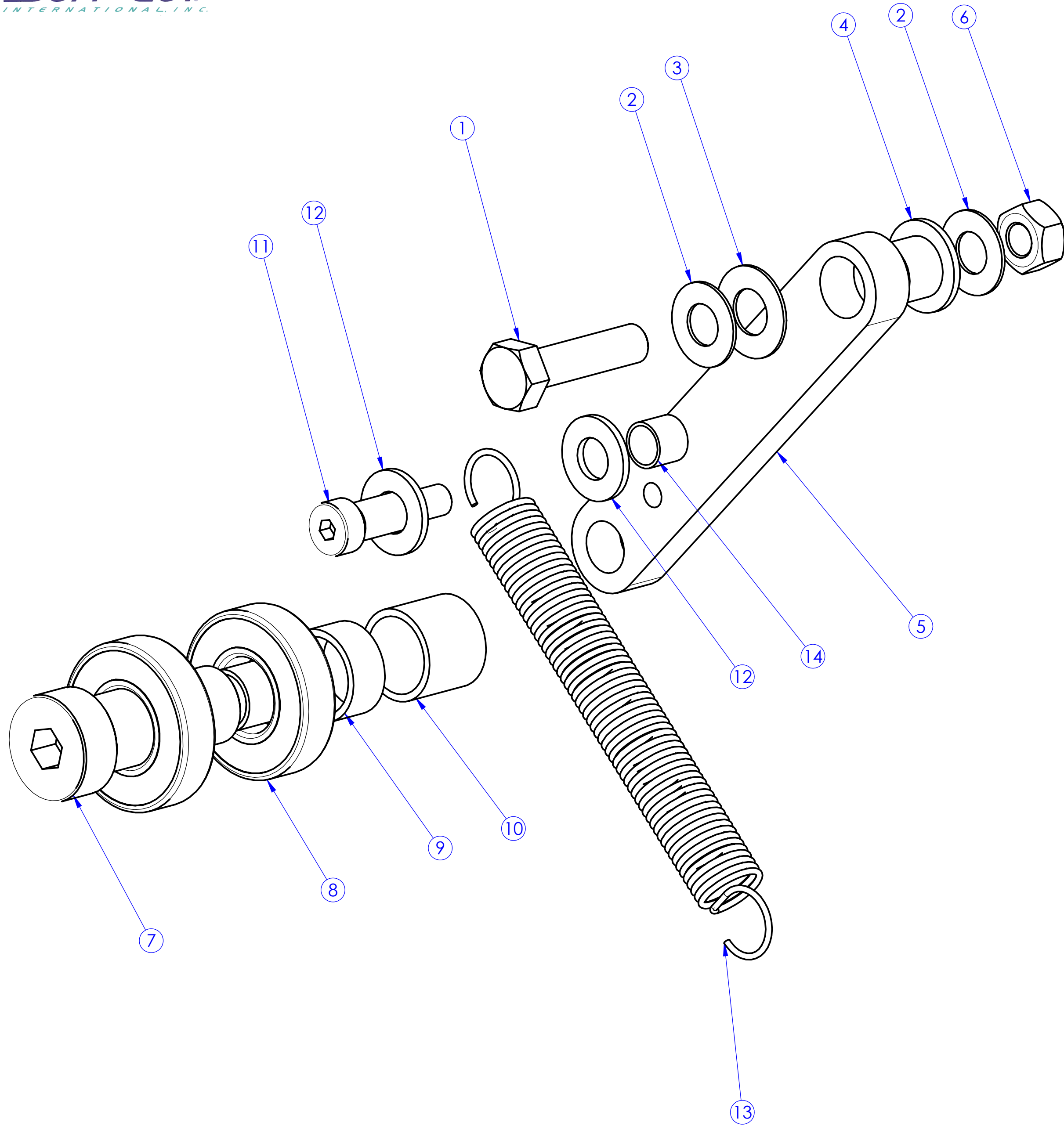


ITEM NO.	PART NUMBER	DESCRIPTION	QTY.
1	505821601	HHB 5/16-24 X 1.25	1
2	505686101	WASHER, 5/16" FLAT USS	2
3	505634501	WASHER, 3/8" DELRIN	1
4	505840001	ARM, BELT TENSIONER	1
5	505841801	FLANGED BEARING	1
6	505732801	NUT, 5/16-24 HEX, GR5 ZINC	1
7	505726401	SHSB, 5/16 X 3/4	1
8	505484101	SPRING, EXTENSION	1
9	505774501	SPRING ANCHOR, 1/4-20 X 1	1
10	505723601	NUT, 1/4-20 HEX, GR5 ZINC	1
11	505632801	WASHER, SPLIT 1/4" S.S.	1
12	505706801	SHAFT, BLADE BELT TENSIONER	1
13	505736301	BEARING, 1.00 ID, R16-2RS	3
14	505733401	SNAP RING, EXT 1.000"	2
15	510325101	FHS, 3/8-16 x 1 S.S.	1

SUB-ASSEMBLY BILL OF MATERIAL

SOFF-CUT INT'L, INC. CLAIMS PROPRIETARY RIGHTS TO THE MATERIAL DISCLOSED IN THIS DOCUMENT. THIS DOCUMENT IS PROVIDED IN CONFIDENCE AND MAY NOT BE REPRODUCED OR DISCLOSED WITHOUT WRITTEN PERMISSION FROM SOFF-CUT INT'L. © COPYRIGHT 2007, SOFF-CUT INT'L, INC. ALL RIGHTS RESERVED.

510271809

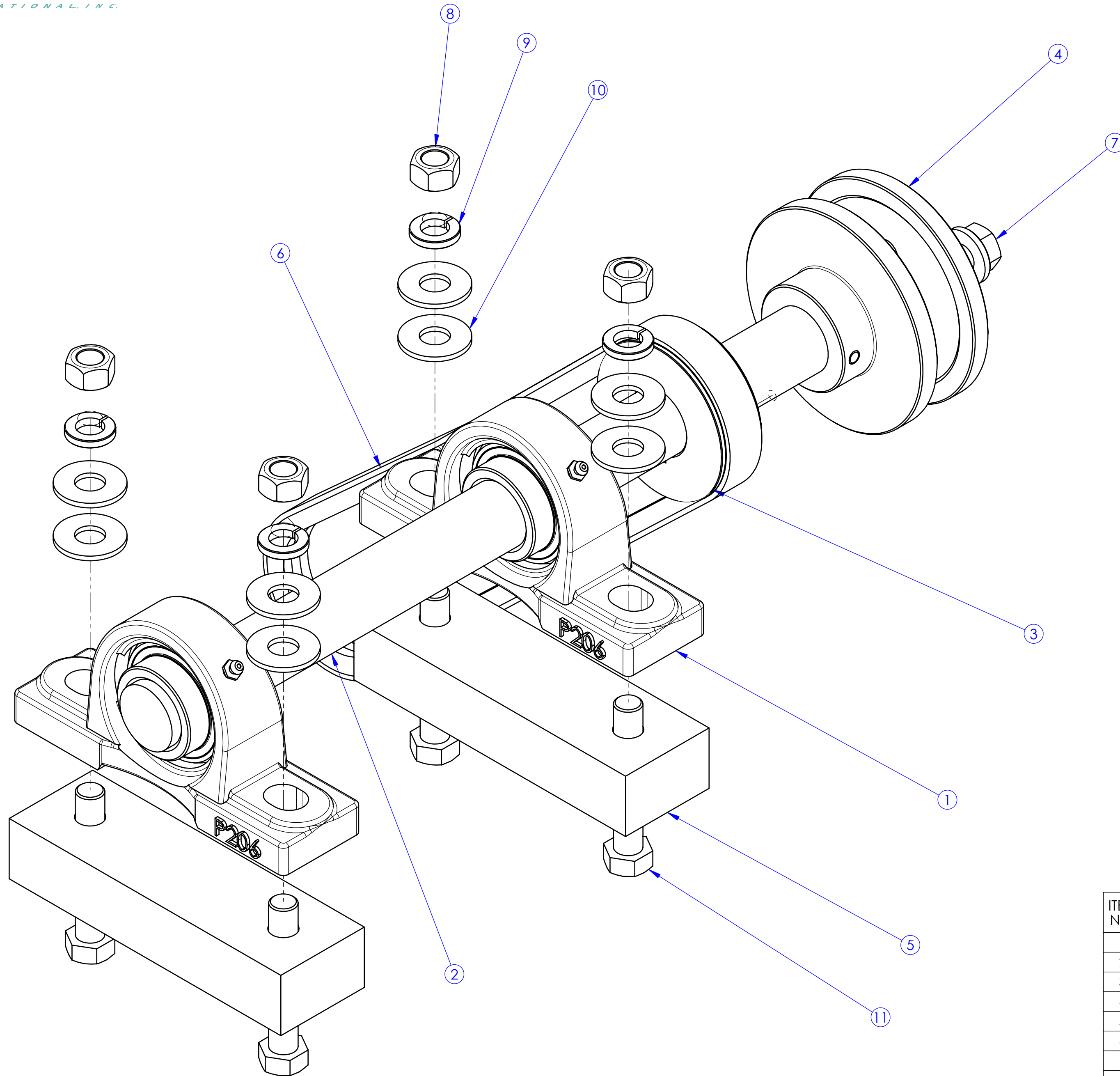


ITEM NO.	PART NUMBER	DESCRIPTION	QTY.
1	505821601	HHB 5/16-24 X 1.25	1
2	505725201	WASHER, 5/16" FLAT S.S.	2
3	505634501	WASHER, 3/8" DELRIN	1
4	505841801	FLANGED BEARING	1
5	505840101	ARM, BELT TENSIONER	1
6	505732801	NUT, 5/16-24 HEX, GR5 ZINC	1
7	505726301	SHSB, 5/8 x 1 1/2	1
8	505736001	BEARING, .625 ID, R10-2RS	2
9	505714602	SPACER, .625"ID X .350"L ALUM.	1
10	505841701	SPACER, .625"ID X .630"L ALUM	1
11	505686501	SHSB, 5/16 X 5/8	1
12	505632101	WASHER, 5/16" FLAT SAE CAD	2
13	505737901	SPRING, EXTENSION	1
14	505717901	SPACER, .313"ID X .315"L G.A.	1

SUB-ASSEMBLY BILL OF MATERIAL

SOFF-CUT INT'L, INC. CLAIMS PROPRIETARY RIGHTS TO THE MATERIAL DISCLOSED IN THIS DOCUMENT. THIS DOCUMENT IS PROVIDED IN CONFIDENCE AND MAY NOT BE REPRODUCED OR DISCLOSED WITHOUT WRITTEN PERMISSION FROM SOFF-CUT INT'L. © COPYRIGHT 2007, SOFF-CUT INT'L, INC. ALL RIGHTS RESERVED.

510272209

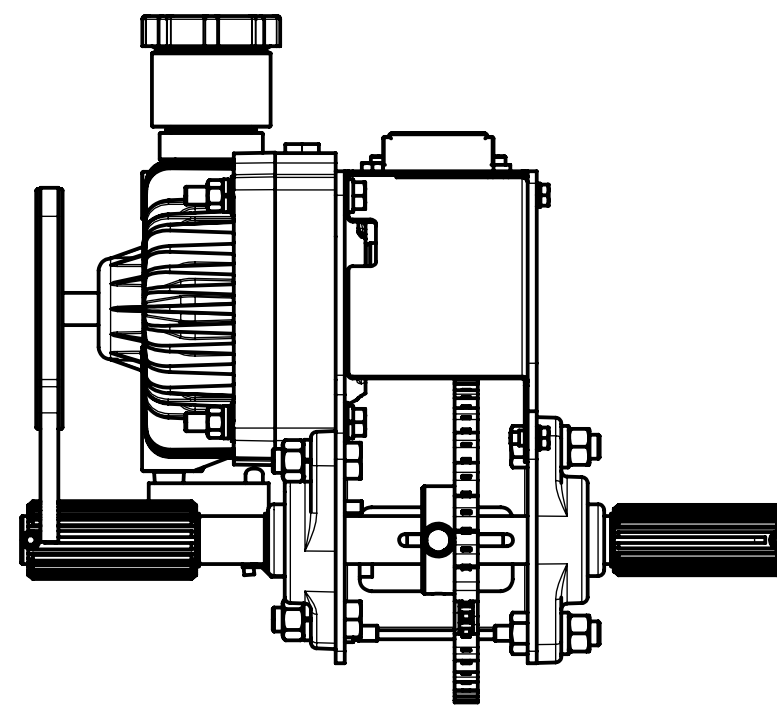
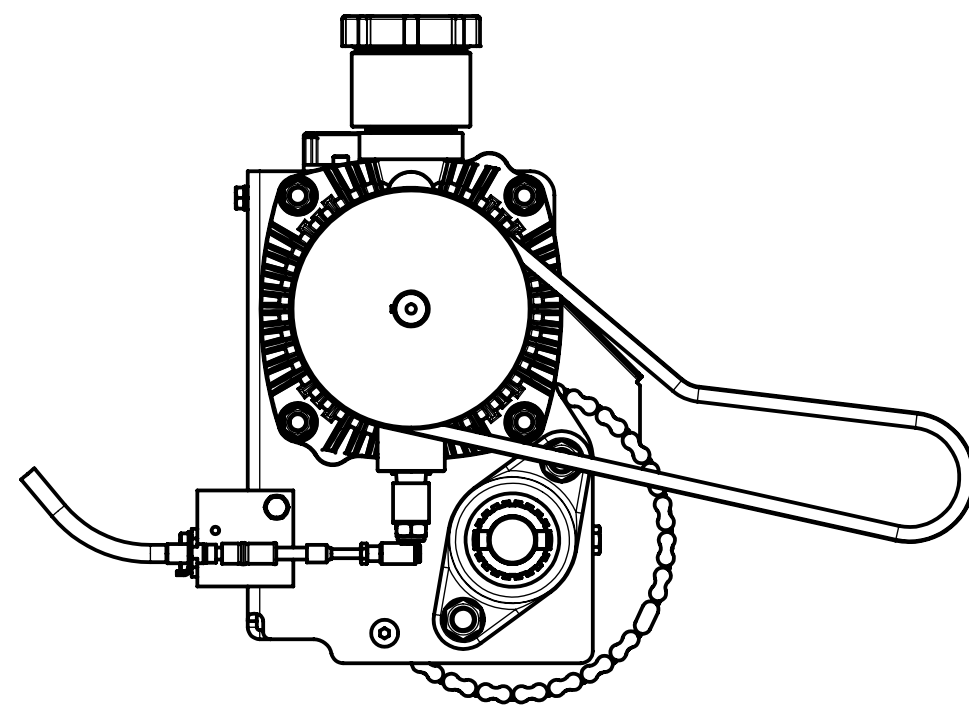
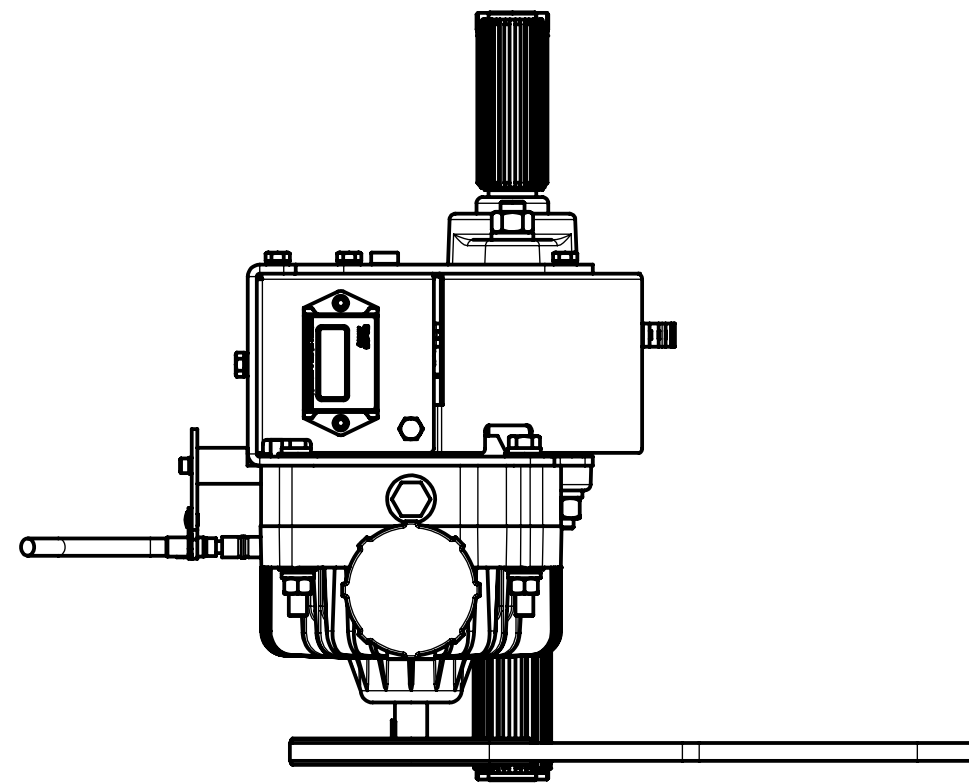


ITEM NO.	PART NUMBER	DESCRIPTION	510272209/ QTY.
1	505822901	BEARING, PILLOW BLOCK, 1.25"ID	2
2	505573203	BLADE SHAFT	1
3	510347401	SHEAVE, 2/3V 3.00 OD X 1.25 ID	1
4	505491504	ARBOR WASHER OUTER G20 NEW STYLE	1
5	505817001	SPACER, BEARING	2
6	505483901	BELT, 3VX315	1
7	505483701	FLANGE HEX BOLT 1/2-13 X 1	1
8	505732201	NUT, 1/2-20 HEX, GR5 ZINC	4
9	505731101	WASHER, SPLIT 1/2" S.S.	4
10	505731401	WASHER, 1/2" FLAT S.S.	8
11	505821501	HHB 1/2-20 X 3 GR8	4

SUB-ASSEMBLY BILL OF MATERIAL

SOFF-CUT INT'L, INC. CLAIMS PROPRIETARY RIGHTS TO THE MATERIAL DISCLOSED IN THIS DOCUMENT. THIS DOCUMENT IS PROVIDED IN CONFIDENCE AND MAY NOT BE REPRODUCED OR DISCLOSED WITHOUT WRITTEN PERMISSION FROM SOFF-CUT INT'L. © COPYRIGHT 2005, SOFF-CUT INT'L, INC. ALL RIGHTS RESERVED.

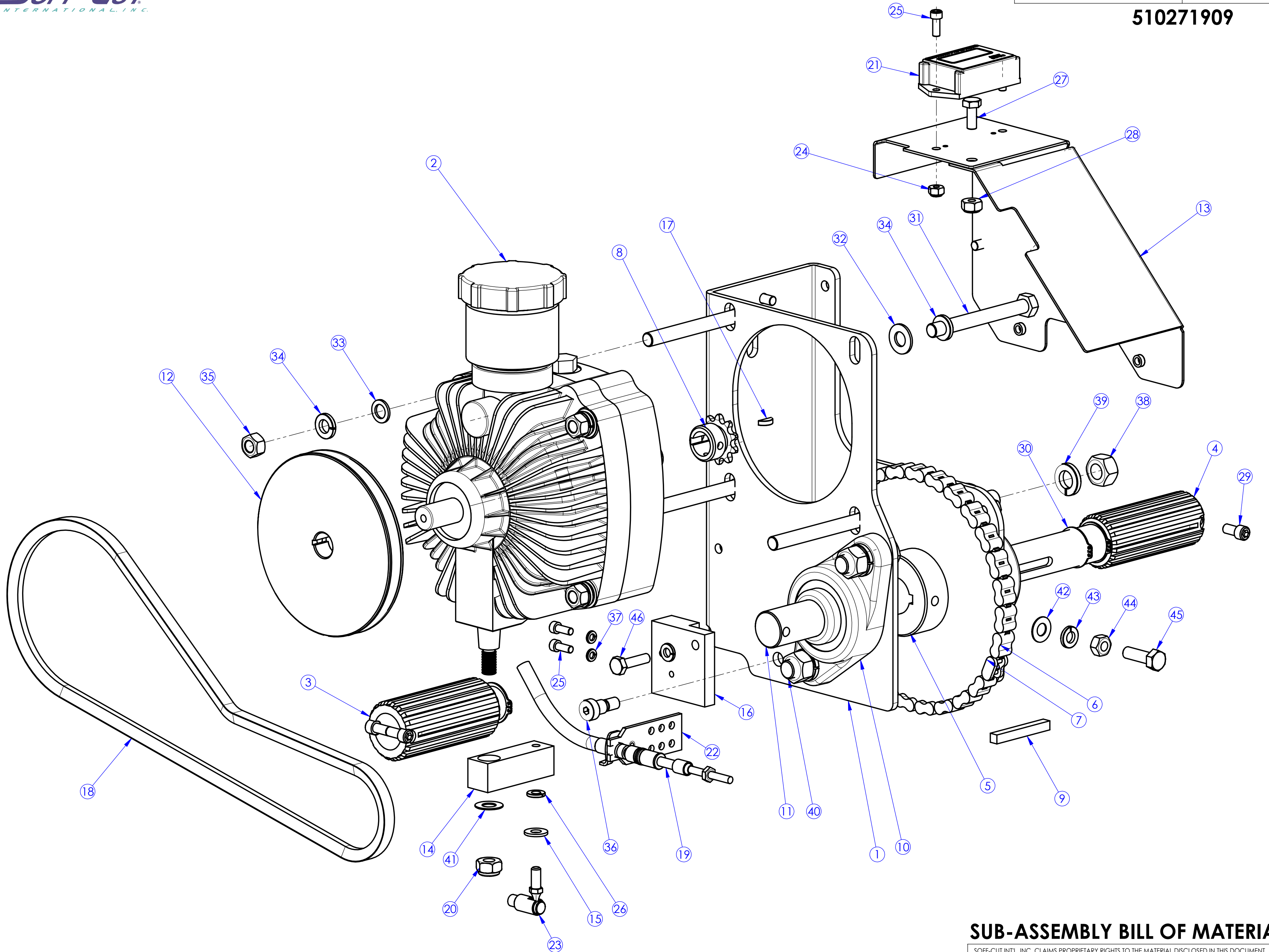
510271909



ITEM NO.	PART NUMBER	DESCRIPTION	QTY.
1	505839601	FRAME, PUMP	1
2	505738301	HYDROSTATIC PUMP	1
3	505678301	TUBE, DRIVER, RIGHT	1
4	505715201	TUBE, DRIVER, LEFT	1
5	510346601	SPROCKET, 54-TOOTH	1
6	505739501	CHAIN, ROLLER #35	1
7	505739601	CONNECTING LINK #35	1
8	505667401	SPROCKET, 10T	1
9	521895201	KEY, 1/4 X 1/4 X 2.00	1
10	505689801	BEARING, FLANGE, 1" ID	2
11	510345601	DRIVE SHAFT	1
12	505739801	SHEAVE, 1/3V 5.00 OD X 17mm ID	1
13	505818501	COVER, PUMP ASSEMBLY	1
14	505817101	ARM, SPEED CONTROL	1
15	505632001	WASHER, 1/4" FLAT S.S.	1
16	510343101	BLOCK, CABLE MOUNT	1
17	505734701	KEY, WOODRUFF, #3	2
18	505484001	BELT, 3L345	1
19	505823001	CABLE, SPEED CONTROL	1
20	505723401	NUT, NYLOC, 3/8-16	1
21	505814301	TACHOMETER/HOUR METER	1
22	505823401	CABLE BRACKET	1
23	505823501	FITTING, BALL JOINT	1
24	505822201	NUT, NYLOC, #10-32 S.S.	2
25	505729601	SHCS 10-32 X 1/2 S.S.	4
26	505632801	WASHER, SPLIT 1/4" S.S.	6
27	505627401	HHB 1/4-20 X .625 S.S.	5
28	505630501	NUT, NYLOC, 1/4-20 CAD	1
29	505722301	SHCS 1/4-20 X 1/2 S.S.	4
30	505733401	SNAP RING, EXT 1.000"	3
31	505727701	HHB 3/8-16 X 3.5	4
32	505724601	WASHER, 3/8" FLAT	4
33	505724001	WASHER, 3/8"X .06"THK FLAT S.S.	4
34	505731001	WASHER, SPLIT 3/8" S.S.	8
35	505732101	NUT, 3/8-16 HEX, GR5 ZINC	4
36	505726101	SHSB, 3/8 x 3/8	2
37	505633101	WASHER, SPLIT #10 S.S.	2
38	505733201	NUT, 1/2-13 HEX, GR5 ZINC	4
39	505731101	WASHER, SPLIT 1/2" S.S.	4
40	522442801	HHB 1/2-13 X 1 1/2	4
41	505724501	WASHER, 3/8"X .030"THK FLAT	1
42	505725201	WASHER, 5/16" FLAT S.S.	1
43	505633001	WASHER, SPLIT 5/16" S.S.	1
44	505732401	NUT, 5/16-18 HEX, S.S.	1
45	505727501	HHB 5/16-18 X 1	1
46	505727301	HHB 1/4-20 X 1 S.S.	1

SUB-ASSEMBLY BILL OF MATERIAL

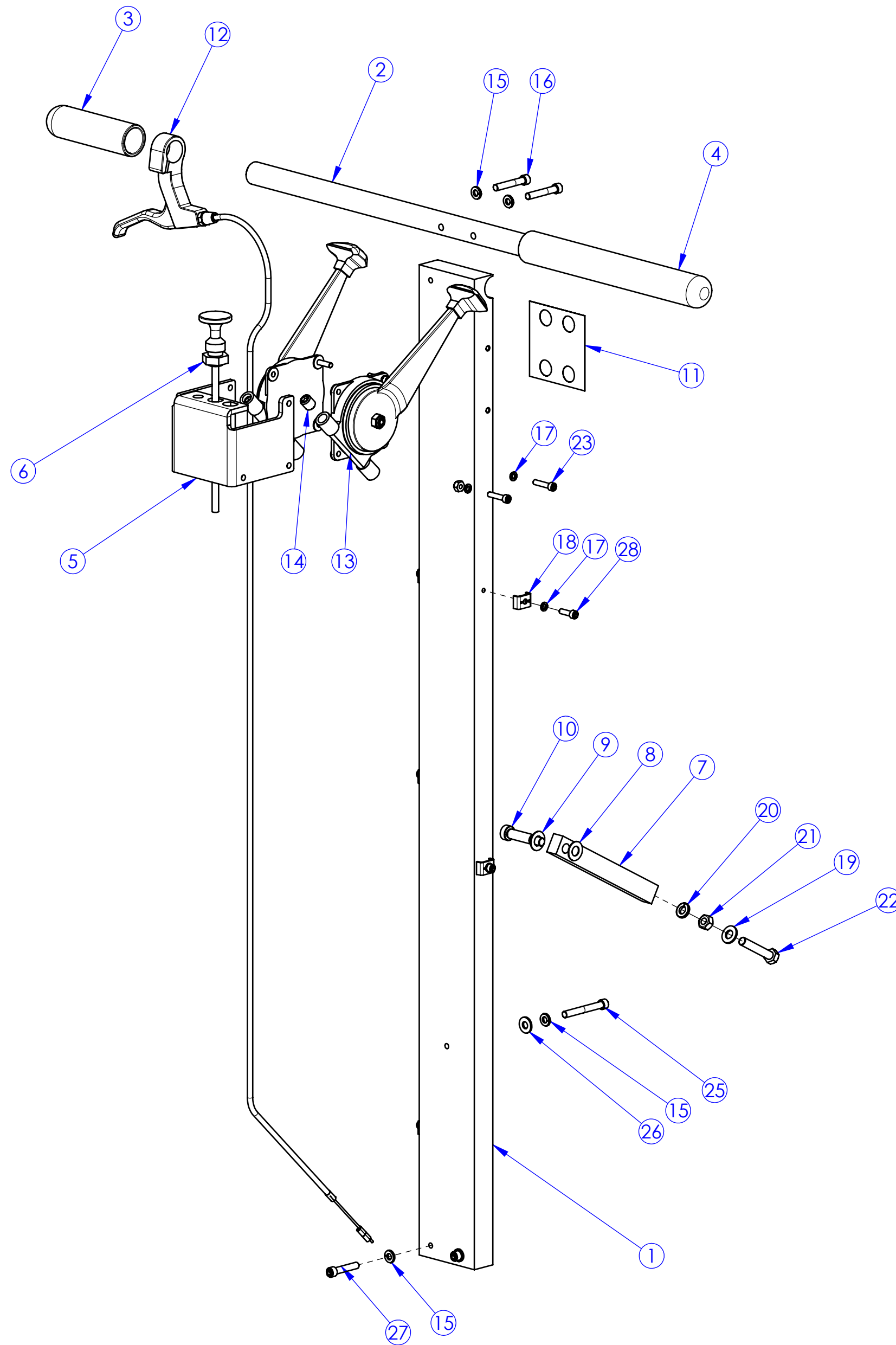
SOFF-CUT INT'L. INC. CLAIMS PROPRIETARY RIGHTS TO THE MATERIAL DISCLOSED IN THIS DOCUMENT. THIS DOCUMENT IS PROVIDED IN CONFIDENCE AND MAY NOT BE REPRODUCED OR DISCLOSED WITHOUT WRITTEN PERMISSION FROM SOFF-CUT INT'L. © COPYRIGHT 2007, SOFF-CUT INT'L, INC. ALL RIGHTS RESERVED.



SUB-ASSEMBLY BILL OF MATERIAL

SOFF-CUT INTL. INC. CLAIMS PROPRIETARY RIGHTS TO THE MATERIAL DISCLOSED IN THIS DOCUMENT. THIS DOCUMENT IS PROVIDED IN CONFIDENCE AND MAY NOT BE REPRODUCED OR DISCLOSED WITHOUT WRITTEN PERMISSION FROM SOFF-CUT INTL. © COPYRIGHT 2005, SOFF-CUT INTL. INC. ALL RIGHTS RESERVED.

510272009

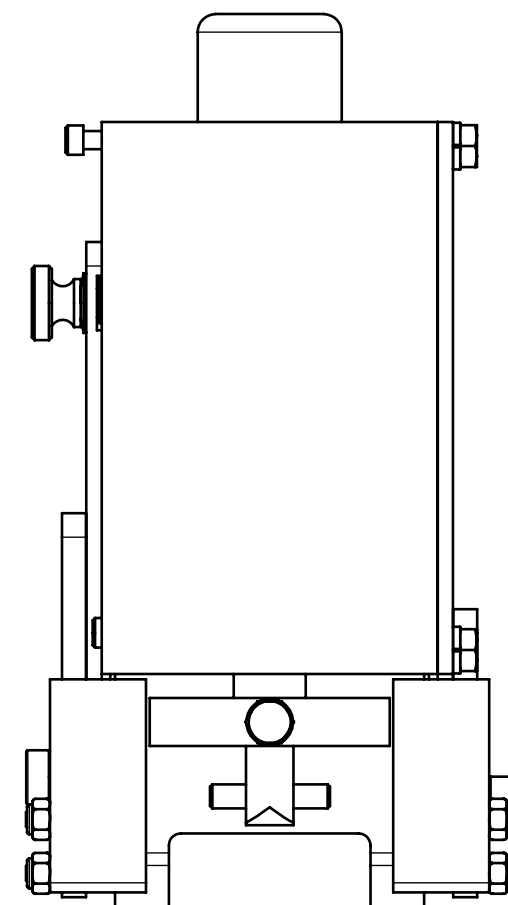
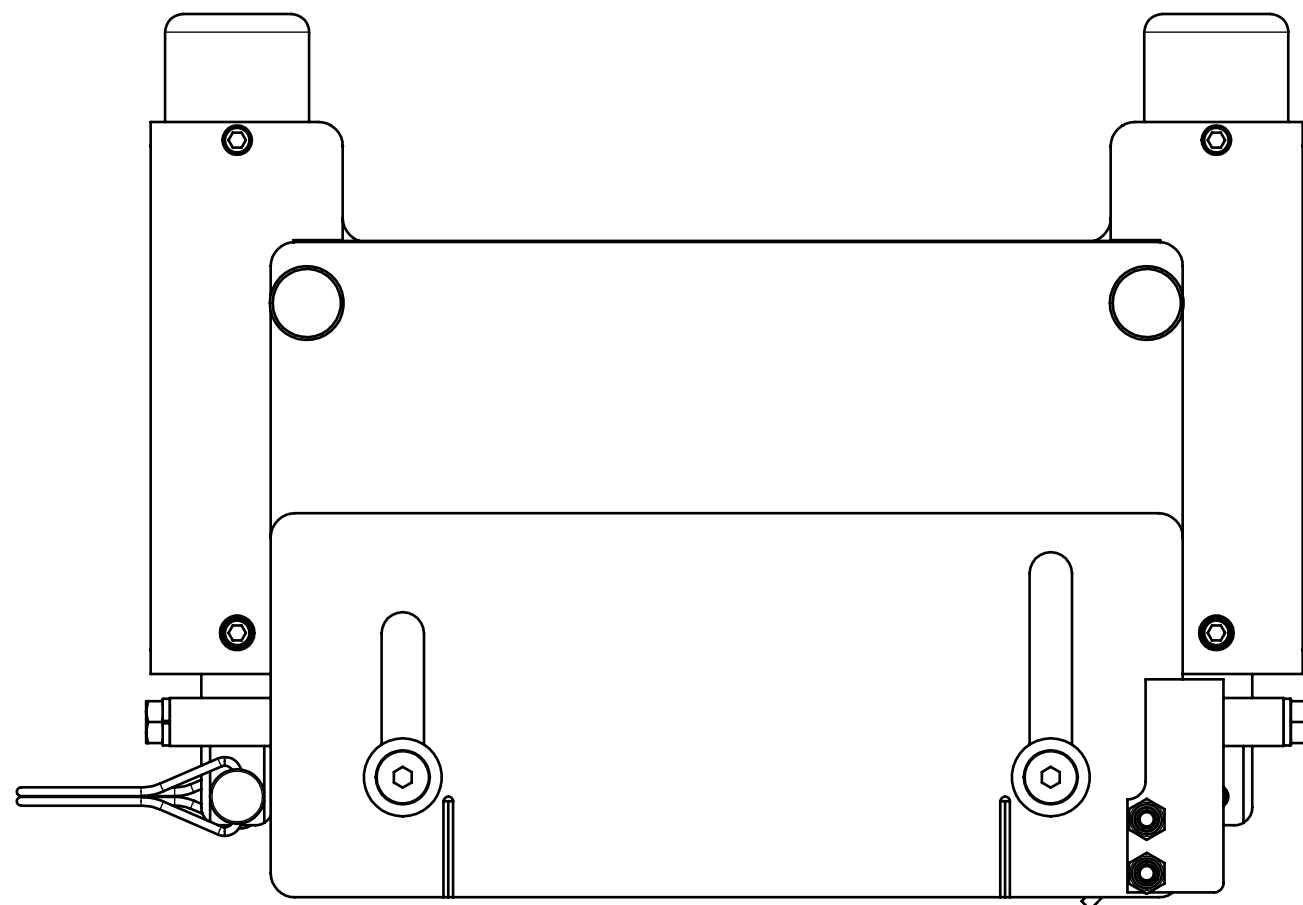
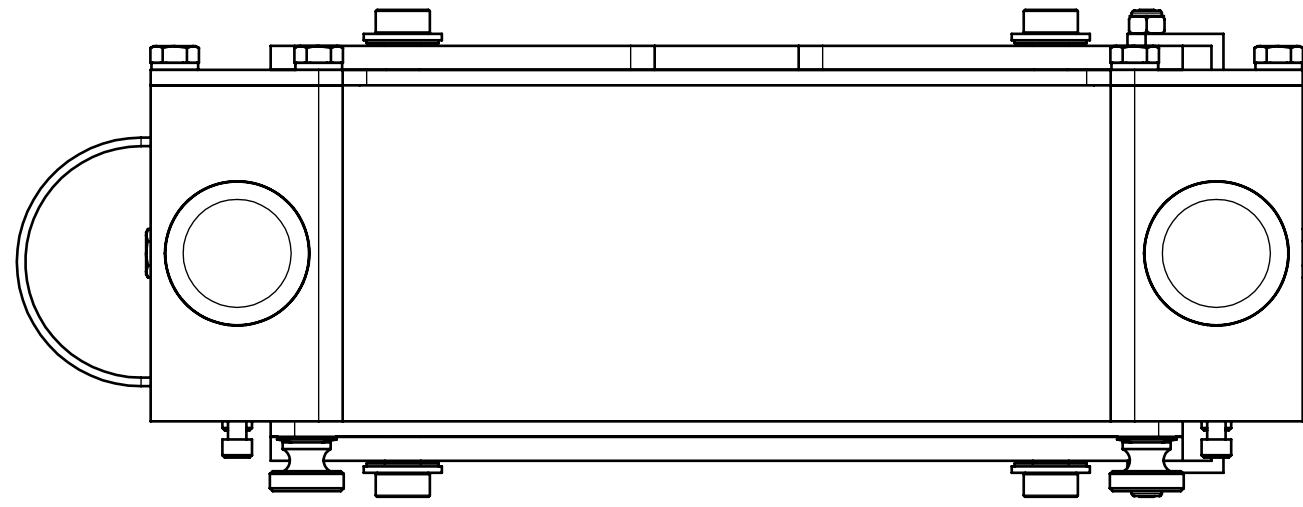


ITEM NO.	PART NUMBER	DESCRIPTION	QTY.
1	510346001	HANDLE, X750	1
2	505816501	HANDLE BAR	1
3	505802801	GRIP, FOAM HANDLE, 4.5"L BLACK	1
4	505813201	GRIP, FOAM HANDLE, 9.5"L BLACK	1
5	505816801	BRACKET, CONTROL MOUNT	1
6	505842901	LOCK THROTTLE W/CABLE	1
7	505818101	PUMP RELEASE ARM	1
8	505634501	WASHER, 3/8" DELRIN	1
9	505634201	WASHER, 3/8" X .03" THK FLAT S.S.	1
10	505820701	SHSB, 3/8 x 1 1/4	1
11	510341401	LABEL, GUIDE/SPEED CONTROL	1
12	505482703	KIT, BLADE RELEASE, X750	1
13	505823601	CONTROL LEVER ASSY	2
14	505822401	SET SCREW, CUP .438-20 X .500	2
15	505632801	WASHER, SPLIT 1/4" S.S.	5
16	505728801	SHCS 1/4-20 X 1 1/2 S.S.	2
17	505633101	WASHER, SPLIT #10 S.S.	11
18	505648901	CLAMP, METAL	5
19	505632101	WASHER, 5/16" FLAT SAE CAD	1
20	505633001	WASHER, SPLIT 5/16" S.S.	1
21	505723501	NUT, 5/16-18 HEX, GR5 ZINC	1
22	505728501	HHB 5/16-18 X 1.75 GR8	1
23	505772801	SHCS 10-32 X 7/8 BLK	6
24	505822201	NUT, NYLOC, #10-32 S.S.	2
25	505728901	SHCS 1/4-20 X 2 S.S.	1
26	505632001	WASHER, 1/4" FLAT S.S.	1
27	505628001	SHCS 1/4-20 X 1 1/4 S.S.	2
28	505729701	SHCS 10-32 X 5/8 S.S.	5

SUB-ASSEMBLY BILL OF MATERIAL

SOFF-CUT INT'L, INC. CLAIMS PROPRIETARY RIGHTS TO THE MATERIAL DISCLOSED IN THIS DOCUMENT. THIS DOCUMENT IS PROVIDED IN CONFIDENCE AND MAY NOT BE REPRODUCED OR DISCLOSED WITHOUT WRITTEN PERMISSION FROM SOFF-CUT INT'L. © COPYRIGHT 2007, SOFF-CUT INT'L, INC. ALL RIGHTS RESERVED.

510272109

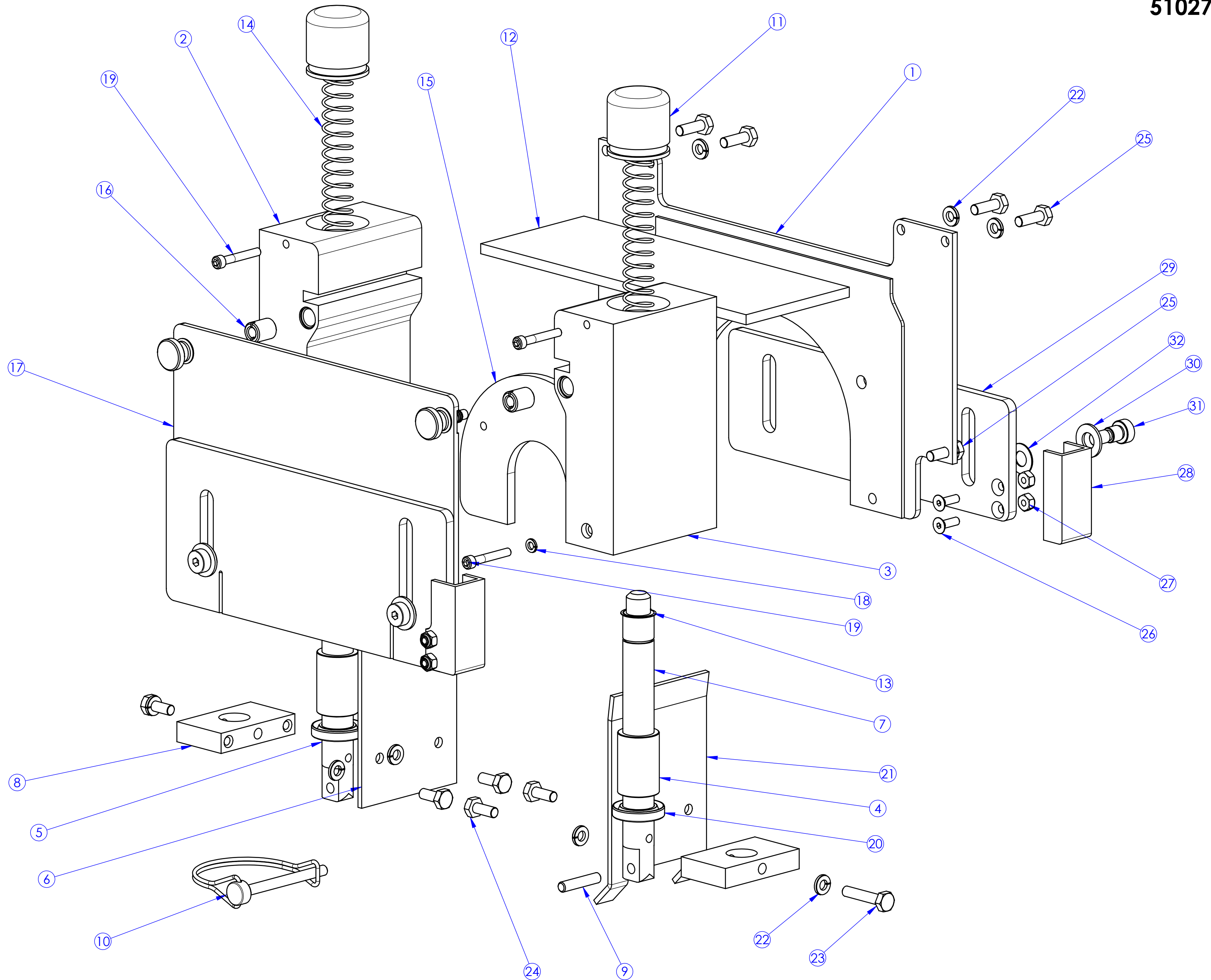


ITEM NO.	PART NUMBER	DESCRIPTION	QTY.
1	505841201	PANEL, REAR, BB	1
2	505840901	BLADE BLOCK, REAR	1
3	505840801	BLADE BLOCK, FRONT	1
4	505667701	3/4 ID X 1 OD X 1 1/2 BUSHING	2
5	505841401	SHAFT, REAR BLADE BLOCK, X750	1
6	505840401	PLATE, REAR DIVERTER	1
7	505841501	SHAFT, FRONT BLADE BLOCK, X750	1
8	505839801	BLOCK, SHAFT COLLAR, BB	2
9	505774001	DOWEL PIN .250 X 1.25 STEEL	1
10	505775401	SNAPPER PIN, 1/4" X 2 1/2"	1
11	505831401	CAP, BLADE BLOCK	2
12	505840601	TOP COVER, BB	1
13	505748401	SNAP RING, SPIRAL .750"	2
14	505842501	SPRING, BB, X750	2
15	505815701	COVER, BELT ACCESS	1
16	505748301	INSERT, 1/2-13 X 5/16-18	2
17	574234909	BLADE BLOCK COVER	1
18	505633101	WASHER, SPLIT #10 S.S.	2
19	505591401	SHCS 10-32 X 1 1/4 S.S.	4
20	505738001	DUST SEAL, 3/4" SHAFT	2
21	505840501	PLATE, FRONT DIVERTER	1
22	505632801	WASHER, SPLIT 1/4" S.S.	12
23	505728301	HHB 1/4-20 X 1.25 S.S. ALL THRD	1
24	505627401	HHB 1/4-20 X .625 S.S.	5
25	505627501	HHB 1/4-20 X .75 S.S.	6
26	505730201	FHS, 10-24 x 5/8 S.S.	2
27	505630401	NUT, NYLOC, #10-24 CAD	2
28	505819301	CHANNEL, INNER DIVERTER	1
29	505841001	COVER, INNER LEXAN	1
30	505724601	WASHER, 3/8" FLAT	2
31	505726101	SHSB, 3/8 x 3/8	2
32	505634501	WASHER, 3/8" DELRIN	2

SUB-ASSEMBLY BILL OF MATERIAL

SOFF-CUT INTL. INC. CLAIMS PROPRIETARY RIGHTS TO THE MATERIAL DISCLOSED IN THIS DOCUMENT. THIS DOCUMENT IS PROVIDED IN CONFIDENCE AND MAY NOT BE REPRODUCED OR DISCLOSED WITHOUT WRITTEN PERMISSION FROM SOFF-CUT INTL. © COPYRIGHT 2007, SOFF-CUT INTL. INC. ALL RIGHTS RESERVED.

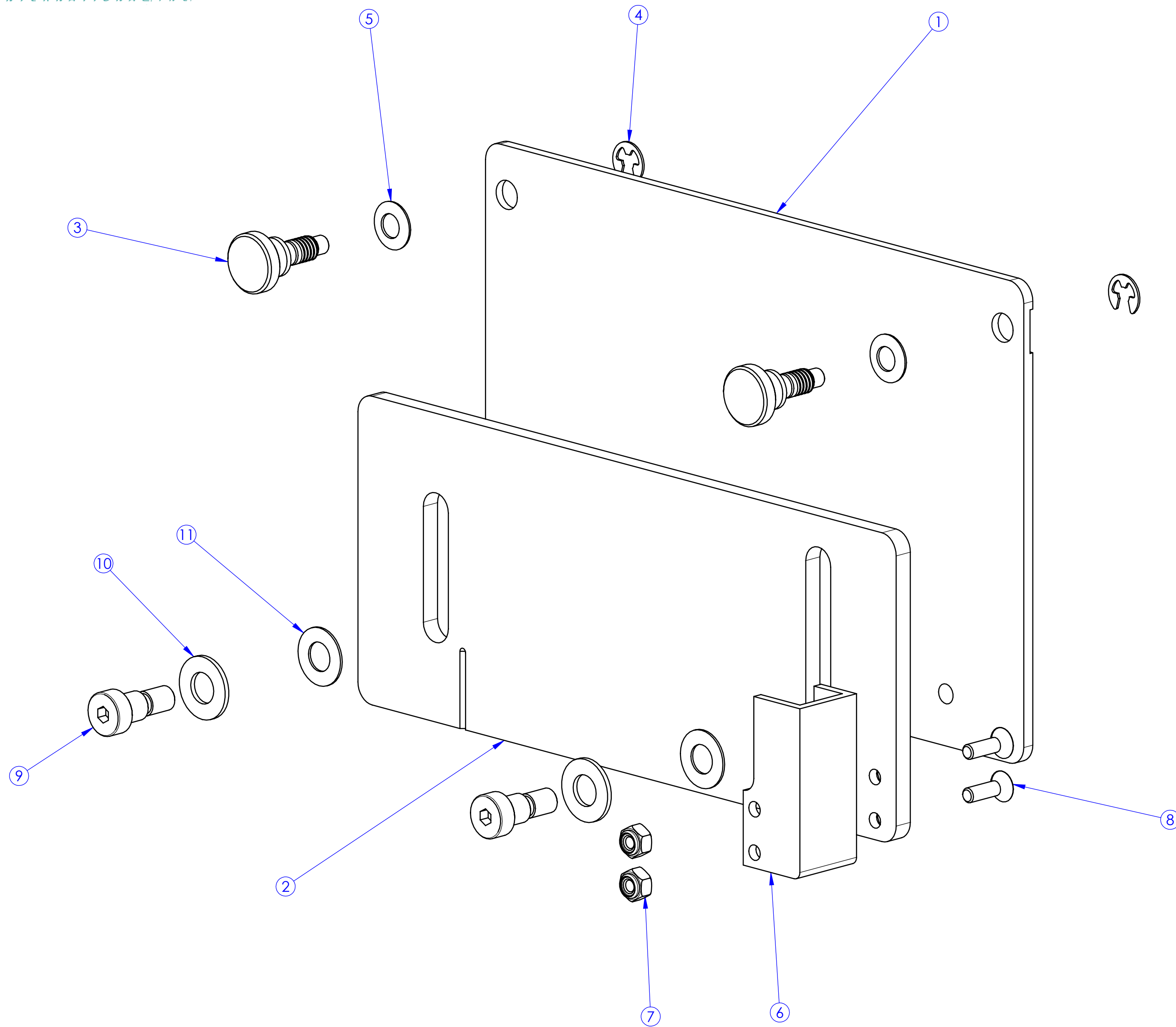
510272109



SUB-ASSEMBLY BILL OF MATERIAL

SOFF-CUT INT'L, INC. CLAIMS PROPRIETARY RIGHTS TO THE MATERIAL DISCLOSED IN THIS DOCUMENT. THIS DOCUMENT IS PROVIDED IN CONFIDENCE AND MAY NOT BE REPRODUCED OR DISCLOSED WITHOUT WRITTEN PERMISSION FROM SOFF-CUT INT'L. © COPYRIGHT 2007, SOFF-CUT INT'L, INC. ALL RIGHTS RESERVED.

574234909



ITEM NO.	PART NUMBER	DESCRIPTION	QTY.
1	505841301	COVER, BB	1
2	505841101	COVER, OUTER LEXAN	1
3	505536301	KNOB, BB COVER	2
4	505536501	E-CLIP, 1/4"	2
5	505536401	WASHER, BELLEVILLE	2
6	505819401	CHANNEL, OUTER DIVERTER	1
7	505630401	NUT, NYLOC, #10-24 CAD	2
8	505730201	FHS, 10-24 x 5/8 S.S.	2
9	505726101	SHSB, 3/8 x 3/8	2
10	505724601	WASHER, 3/8" FLAT	2
11	505634501	WASHER, 3/8" DELRIN	2

SUB-ASSEMBLY BILL OF MATERIAL

SOFF-CUT INT'L, INC. CLAIMS PROPRIETARY RIGHTS TO THE MATERIAL DISCLOSED IN THIS DOCUMENT. THIS DOCUMENT IS PROVIDED IN CONFIDENCE AND MAY NOT BE REPRODUCED OR DISCLOSED WITHOUT WRITTEN PERMISSION FROM SOFF-CUT INT'L. © COPYRIGHT 2007, SOFF-CUT INT'L, INC. ALL RIGHTS RESERVED.