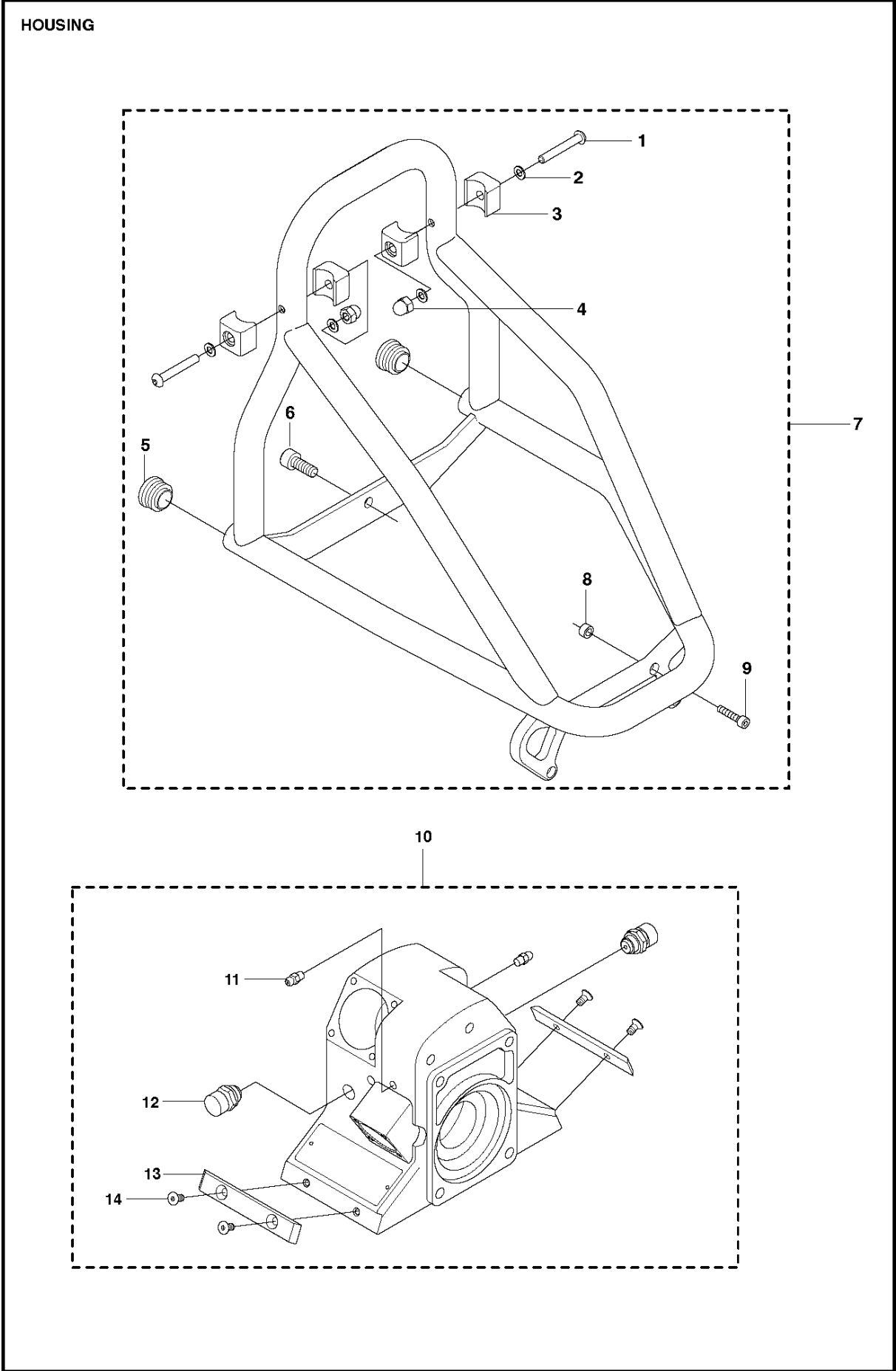




SPARE PARTS LIST

WALL SAWS

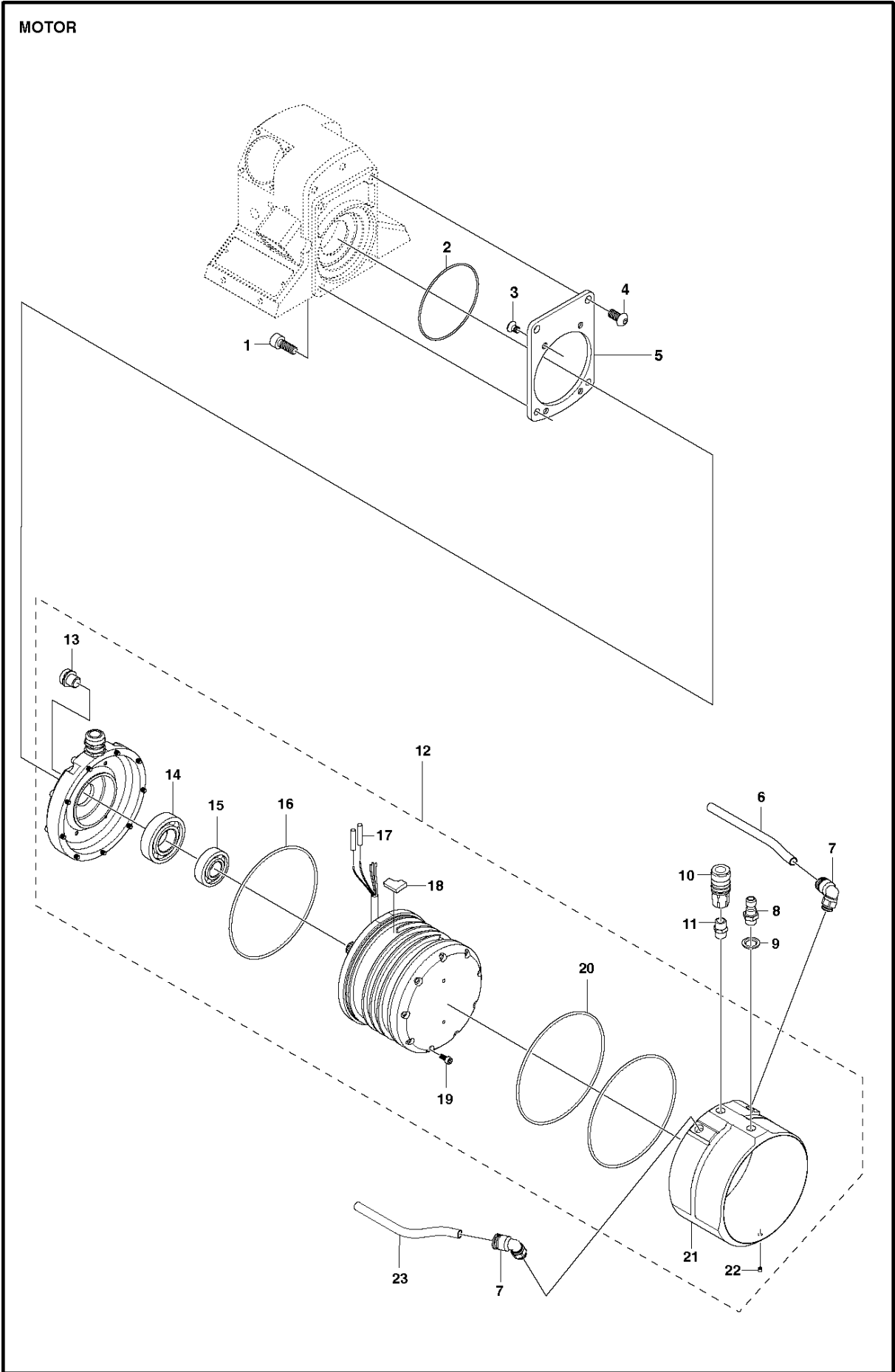
WS482 HF, Valid from 20134501537,
2013-11



HOUSING

WS482 HF, Valid from 20134501537, 2013-11

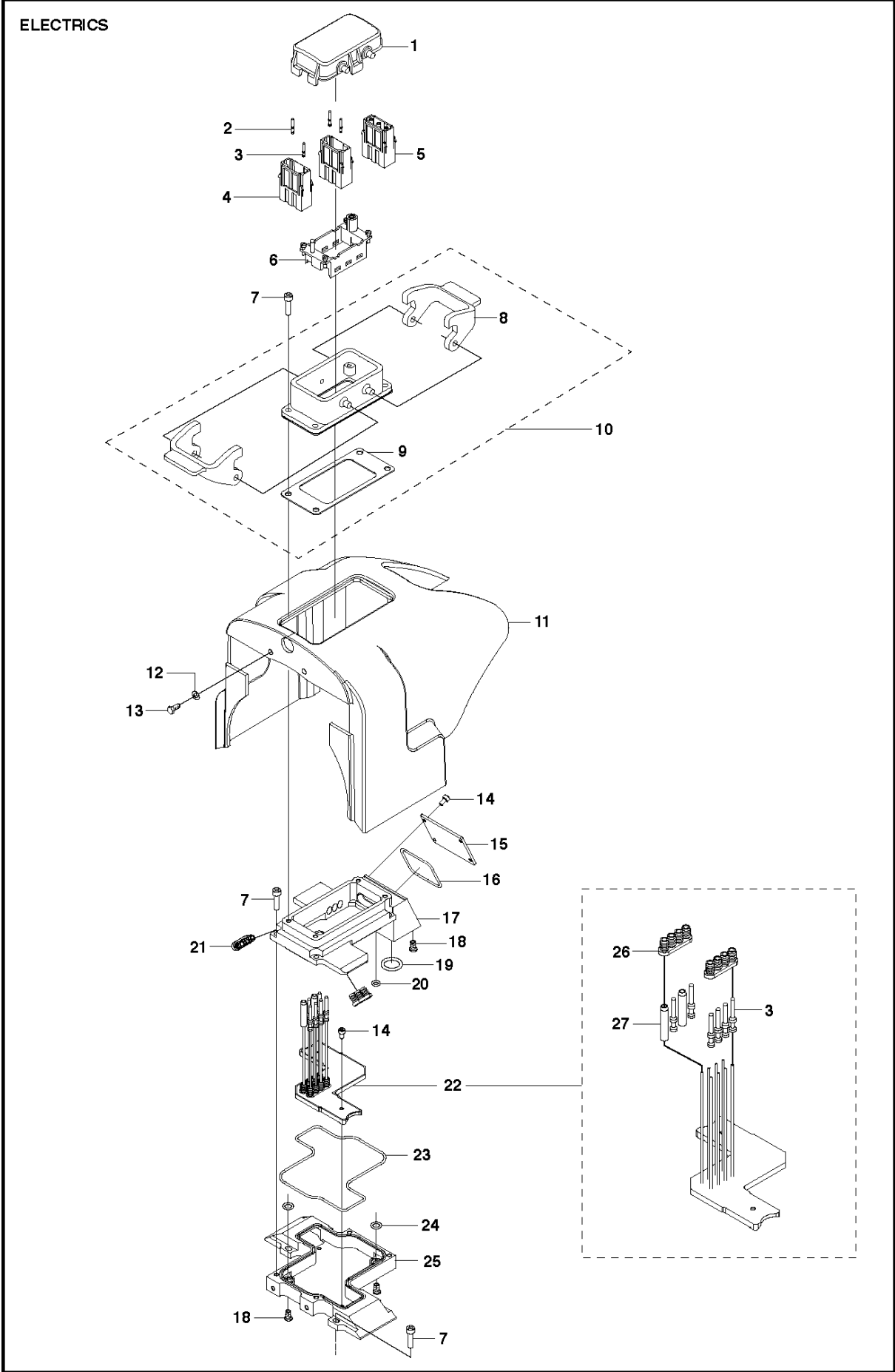
Ref	Part No	Description	Remark	QTY	KIT
1	531 11 95-44	SCREW		2	7
2	734 11 52-01	WASHER		4	7
3	574 26 34-01	BLOCK		4	7
4	531 11 92-49	CAP NUT		2	7
5	505 55 56-01	PLUG		2	7
6	725 54 51-01	SCREW IHSCM		2	7
7	592 89 64-01	HANDLEBAR ASSY	Incl. 1 - 6 , 8 - 9	1	
8	577 88 62-01	SPACER		4	7
9	725 53 33-01	SCREW IHSCM		4	7
10	583 87 19-01	HOUSING ASSY	Incl. 11 - 14	1	
11	577 40 11-01	NIPPLE		2	10
12	583 87 18-01	VALVE		2	10
13	531 12 30-20	PLATE		2	10
14	725 63 27-51	SCREW IHCSFM		4	10



MOTOR

WS482 HF, Valid from 20134501537, 2013-11

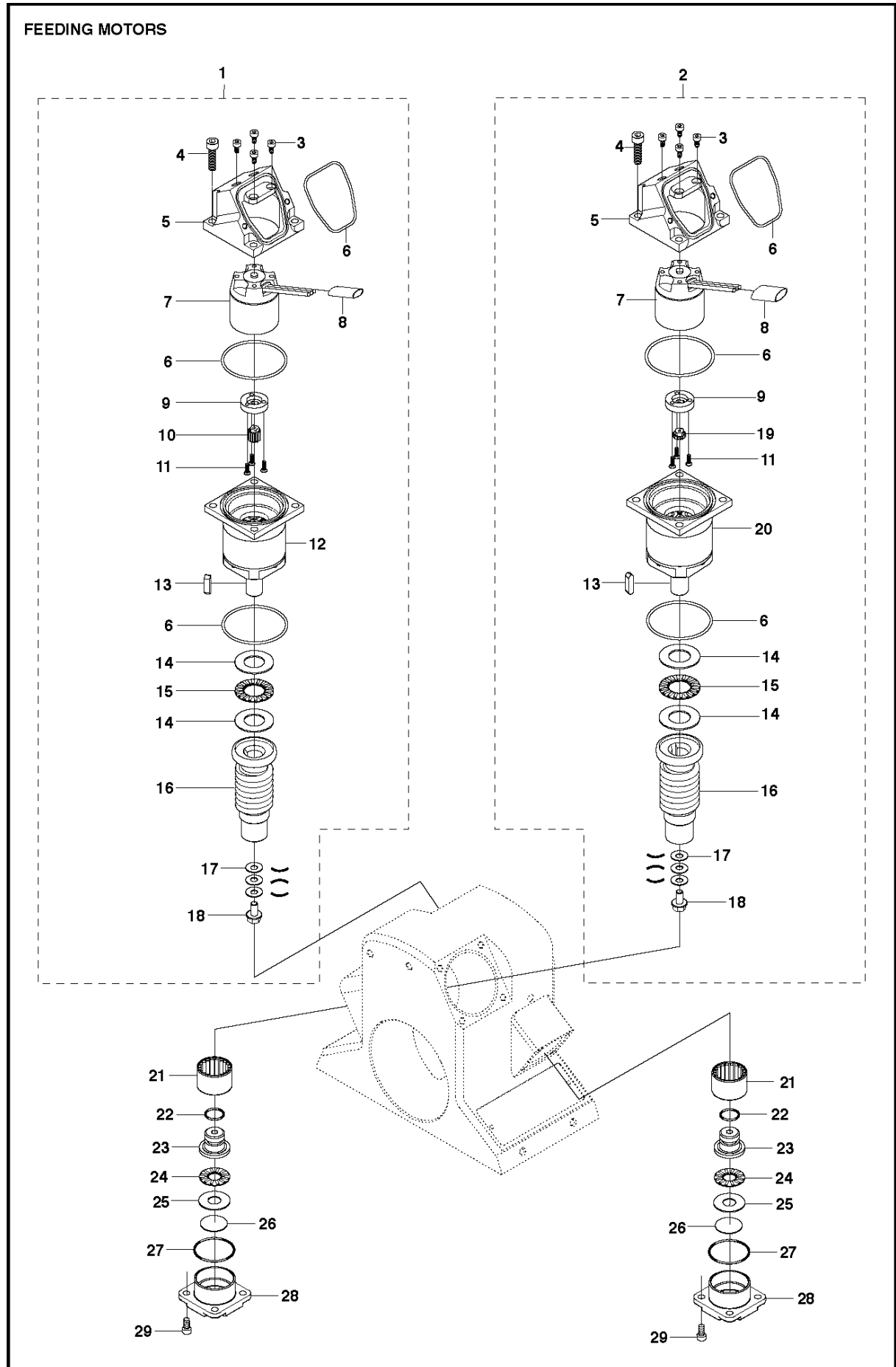
Ref	Part No	Description	Remark	QTY	KIT
1	725 54 53-01	SCREW IHSCM		2	
2	531 11 92-93	O-RING		1	
3	725 63 66-51	SCREW IHCSFM		4	
4	531 11 95-11	SCREW		2	
5	531 12 32-14	MOUNTING PLATE		1	
6	575 30 39-02	TUBE	165 mm	1	
7	531 11 82-90	COUPLING		2	
8	505 53 80-01	QUICK COUPLING		1	
9	740 38 27-01	SEALING WASHER		1	
10	531 11 82-19	QUICK COUPLING		1	
11	531 11 83-56	ADAPTER		1	
12	580 65 70-01	MOTOR ASSY	Incl. 13 - 21	1	
13	505 52 84-01	VALVE		1	12
14	522 83 94-01	BEARING		1	12
15	522 83 95-01	BEARING		1	12
16	589 36 06-01	O-RING		1	12
17	579 16 48-01	CONNECTOR		2	12
18	574 47 63-01	WATER SEPARATOR		1	12
19	725 53 27-01	SCREW IHSCM		5	12
20	505 24 66-01	O-RING		2	12
21	522 78 60-01	TUBE		1	12
22	728 83 21-05	SCREW IHSETM		1	12
23	575 30 39-03	TUBE	180 mm	1	



ELECTRICAL

WS482 HF, Valid from 20134501537, 2013-11

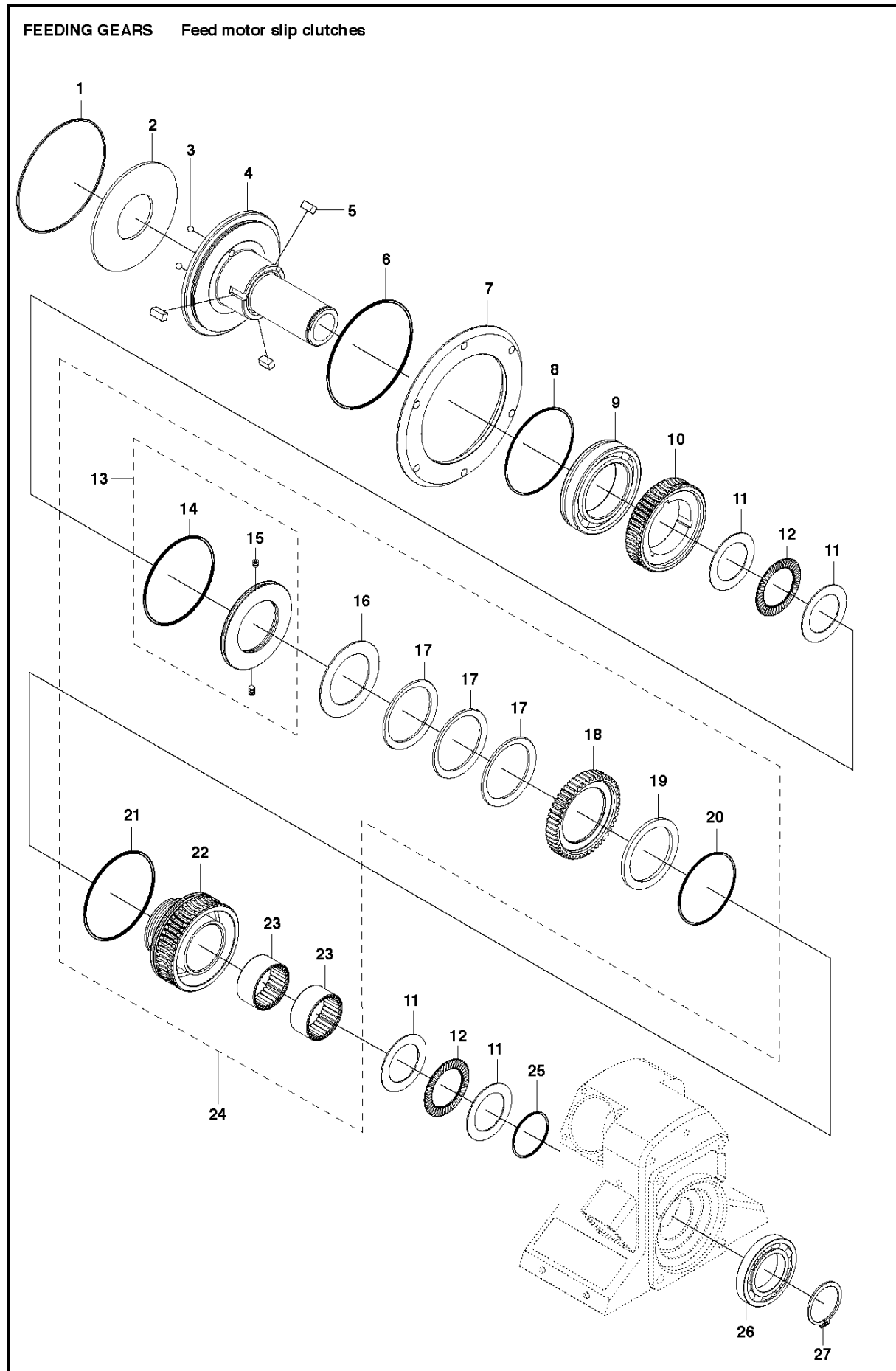
Ref	Part No	Description	Remark	QTY KIT
1	575 33 54-01	COVER		1
2	531 11 73-20	TERMINAL		6
3	522 93 08-01	TERMINAL		6
4	522 93 07-01	CONSOLE		2
5	505 53 81-01	CONSOLE		1
6	505 52 89-01	FRAME		1
7	579 25 51-01	SCREW IHSCFMO		12
8	505 24 70-01	SHACKLE		2
9	575 39 41-01	GASKET		1
10	505 52 92-01	CONTACT	Incl. 8 - 9	1
11	580 40 54-02	COVER		1
12	734 11 35-71	WASHER		2
13	725 22 87-71	SCREW EHHM		2
14	579 54 85-01	SCREW		6
15	578 37 36-01	CABLE COVER		1
16	576 42 51-01	O-RING		1
17	578 37 35-01	SEALING PLATE		1
18	505 50 58-01	PLUG		3
19	740 43 11-00	O-RING		1
20	740 42 02-00	O-RING		1
21	579 16 47-01	SEALING PLUG		2
22	578 37 34-06	PRINTED CIRCUIT BOARD	Incl. 3, 26 - 27	1
23	574 45 29-01	O-RING		1
24	740 42 04-00	O-RING		2
25	578 37 32-01	ELECTRONIC BOX		1
26	579 16 47-02	SEALING PLUG		2
27	580 42 94-01	CONNECTOR		2



FEEDING MOTORS

WS482 HF, Valid from 20134501537, 2013-11

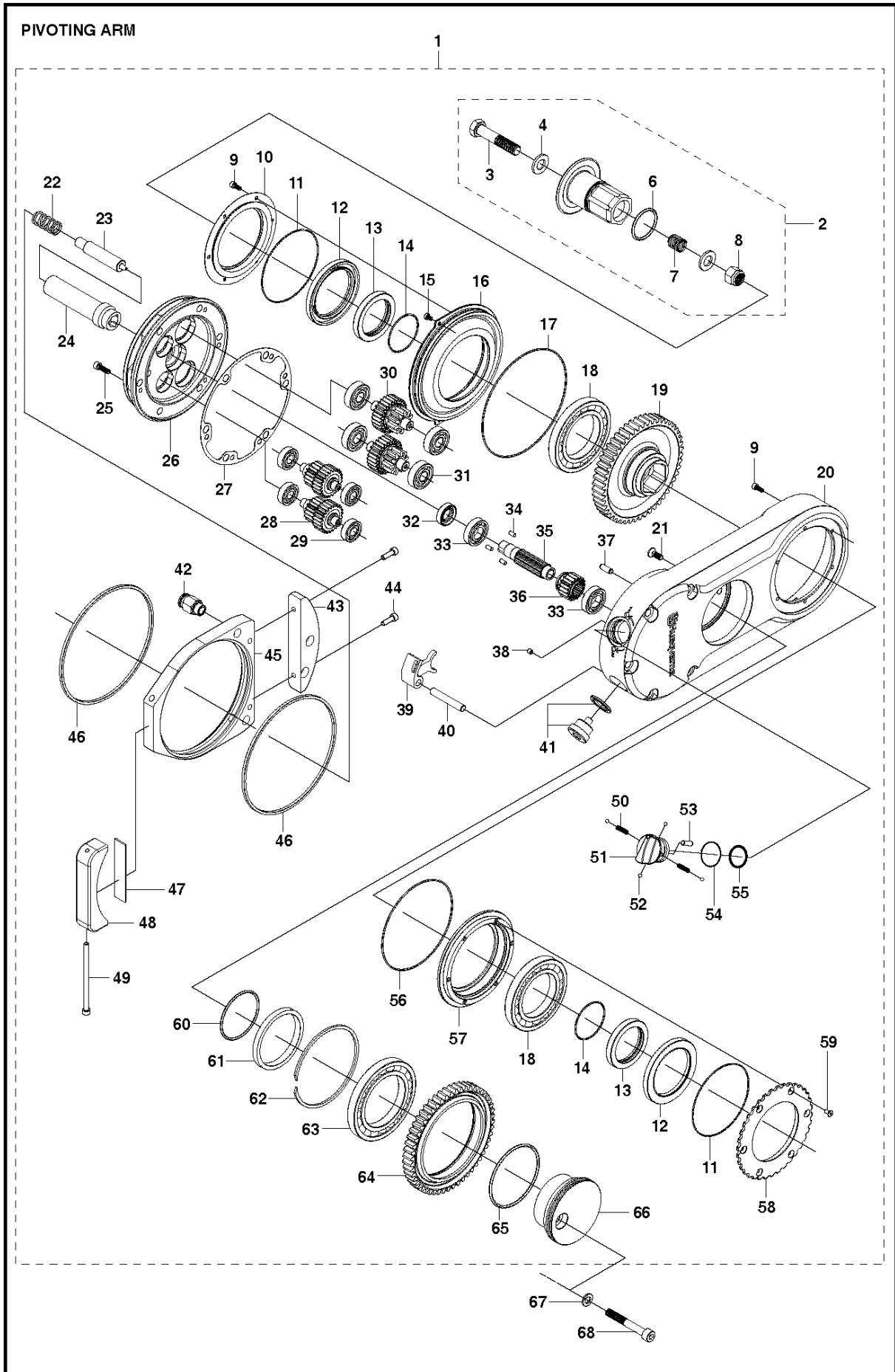
Ref	Part No	Description	Remark	QTY KIT
1	580 62 50-01	MOTOR ASSY	Incl. 3 - 18	1
2	580 62 51-01	MOTOR ASSY	Incl. 3-9,11,13-18, 19-20	1
3	725 52 20-01	SCREW IHSCM		8
4	725 53 31-01	SCREW IHSCM		8
5	578 37 31-01	MOTOR HOUSING		2
6	531 11 92-82	O-RING		6
7	505 53 86-01	ELECTRIC BOX		2
8	580 49 93-01	HOSE KIT		2
9	531 12 32-27	SHAFT		2
10	531 12 32-36	GEAR WHEEL		1
11	723 51 93-51	SCREW		6
12	581 78 38-01	GEARBOX		1
13	531 11 93-02	KEY		2
14	531 11 94-46	WASHER		4
15	531 11 91-50	BEARING		2
16	531 12 30-28	AUTOMATIC FEEDING SYSTEM		2
17	510 00 71-01	SPRING WASHER		6
18	531 11 95-79	SCREW		2
19	531 12 32-34	GEAR WHEEL		1
20	581 78 37-01	GEARBOX		1
21	531 11 91-55	BEARING		2
22	740 43 09-00	O-RING		2
23	531 12 20-34	AXLE		2
24	531 11 91-49	BEARING		2
25	531 11 91-46	BEARING		2
26	531 11 91-58	SHIM		2
27	531 11 92-77	O-RING		2
28	531 12 30-55	BLOCK		2
29	531 11 92-28	SCREW		8



FEEDING GEARS

WS482 HF, Valid from 20134501537, 2013-11

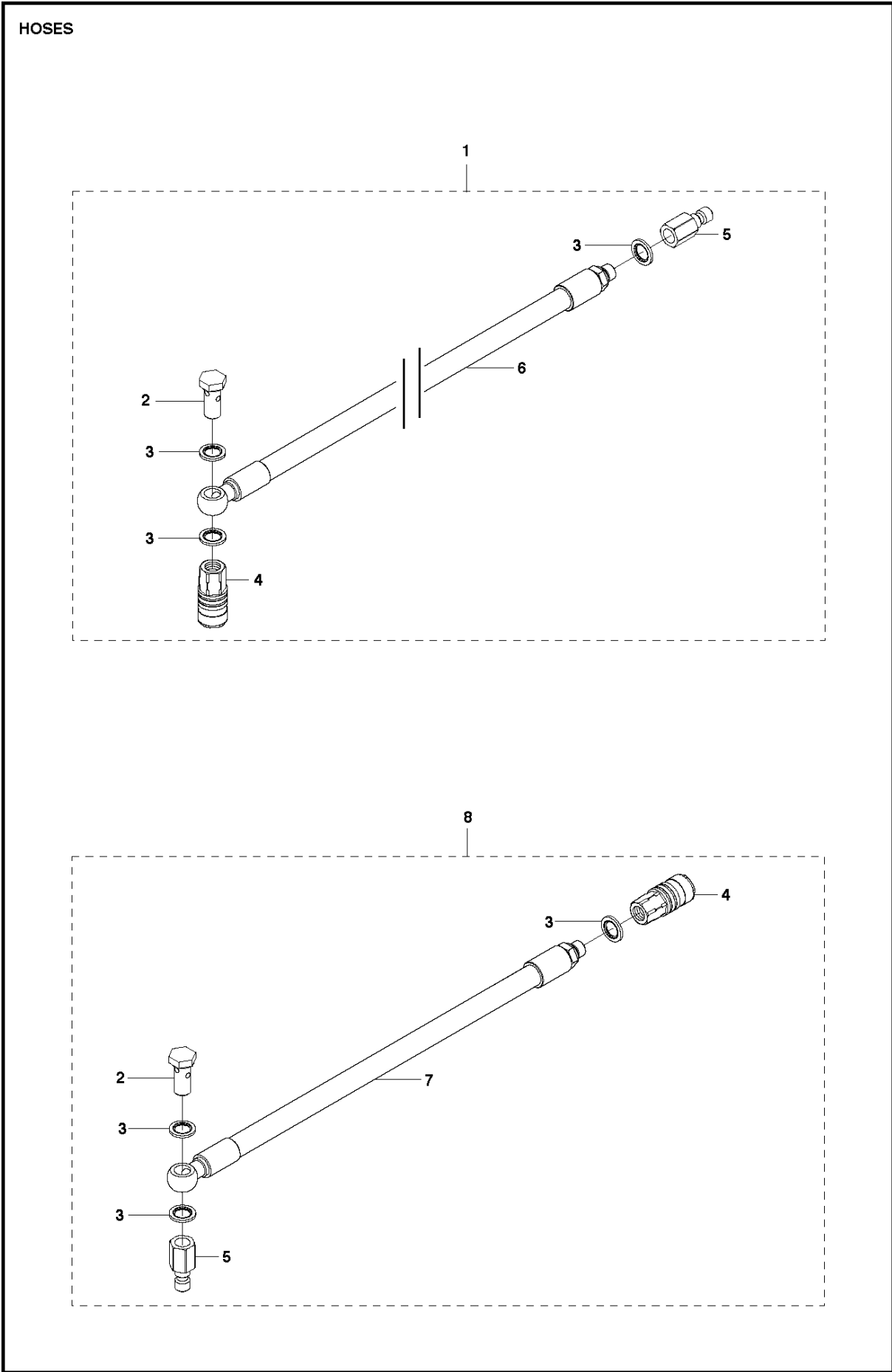
Ref	Part No	Description	Remark	QTY KIT
1	531 11 93-75	O-RING		1
2	531 12 22-80	PLATE		1
3	581 08 40-01	BALL		2
4	574 61 87-01	SHAFT		1
5	574 61 97-01	KEY		3
6	531 11 93-76	O-RING		1
7	574 41 64-01	CLUTCH HUB		1
8	574 45 25-01	O-RING		1
9	580 41 59-01	BEARING		1
10	531 12 30-21	GEAR WHEEL		1
11	531 11 90-39	WASHER		4
12	531 11 90-42	BEARING		2
13	580 42 49-02	NUT	Incl. 14 - 15	1
14	580 41 24-01	O-RING		1
15	728 72 89-05	SCREW IHSETM		2
16	531 11 94-40	BEARING		1
17	531 12 30-25	CUP		3
18	531 12 30-23	GEAR WHEEL		1
19	531 12 30-26	PLATE		1
20	531 11 95-00	O-RING		1
21	531 11 95-04	O-RING		1
22	591 18 70-01	GEAR WHEEL	Incl. 19	1
23	531 11 94-39	BEARING		2
24	531 11 32-71	CLUTCH	Incl. 13 - 23	1
25	531 11 94-50	O-RING		1
26	531 11 94-43	BEARING		1
27	735 31 33-00	CIRCLIP		1



PIVOTING ARM

WS482 HF, Valid from 20134501537, 2013-11

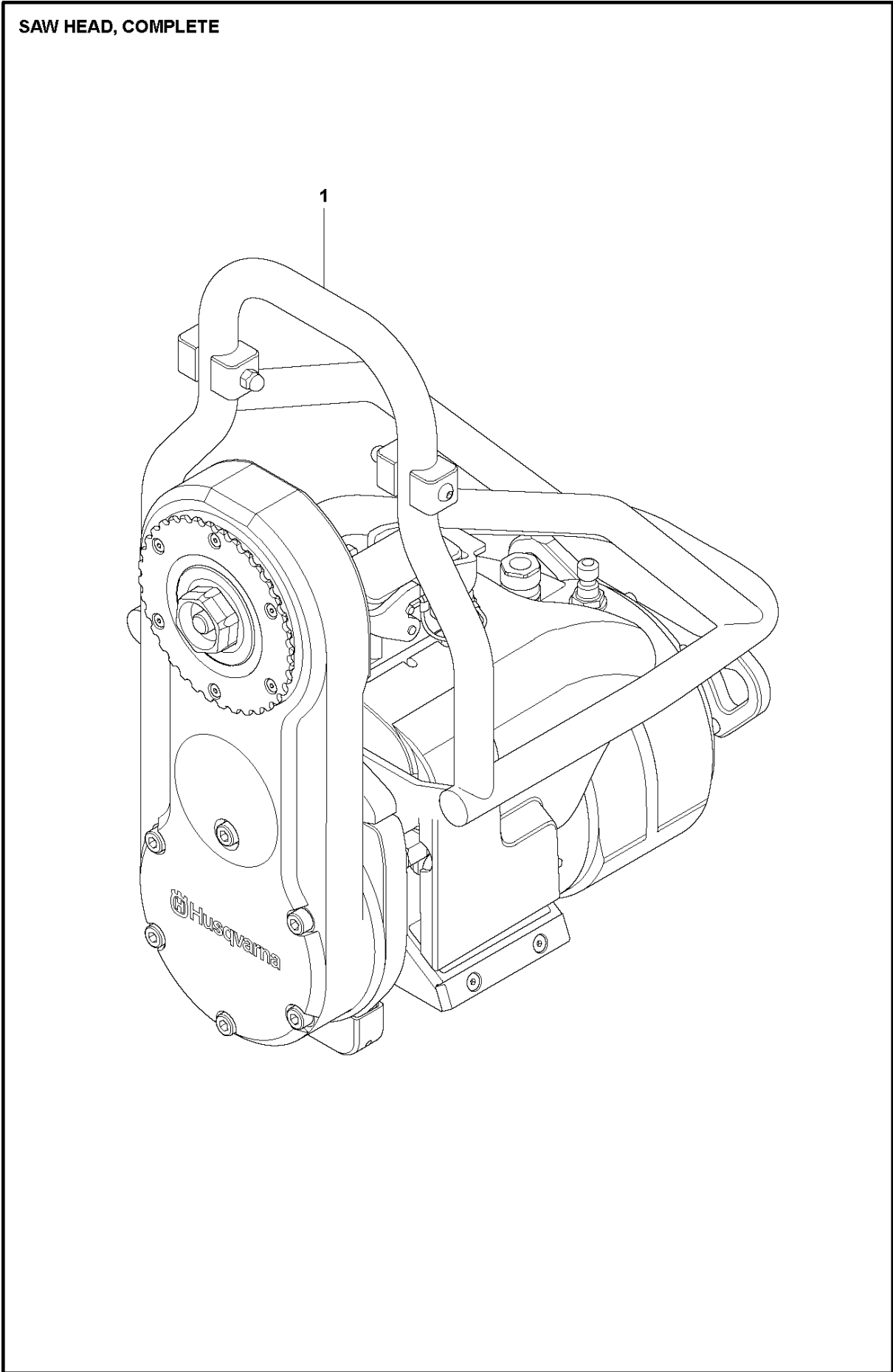
Ref	Part No	Description	Remark	QTY KIT
1	580 72 38-01	PIVOTING ARM	Incl. 2 - 66	1
2	580 67 79-01	SHAFT ASSY	Incl. 3 - 8	1
3	725 25 44-91	SCREW EHHM		1
4	531 11 91-83	WASHER		2
6	531 11 92-74	O-RING		1
7	531 11 93-64	SPRING		1
8	732 25 22-71	HEXAGON LOCKING NUT		1
9	725 52 89-01	SCREW IHSCM		12
10	529 28 11-01	REAR COVER		1
11	574 45 26-01	O-RING		2
12	574 45 22-01	SEAL		2
13	574 44 39-01	RING		2
14	574 45 24-01	O-RING		2
15	506 06 85-01	SCREW		2
16	529 28 12-01	BEARING COVER		1
17	531 11 93-60	O-RING		1
18	574 45 21-01	BEARING		2
19	529 28 20-01	GEAR WHEEL		1
20	580 41 82-01	PIVOTING ARM		1
21	579 56 58-01	SCREW		1
22	505 40 03-08	CASE	Spring	1
23	576 72 06-01	SPACER		1
24	522 52 52-01	SHAFT ASSY		1
25	725 53 29-01	SCREW IHSCM		3
26	522 52 61-01	GEAR		1
27	522 72 01-01	GASKET		1
28	574 64 84-01	GEAR ASSY		2
29	525 58 48-01	BEARING		4
30	580 63 79-01	GEAR ASSY		2
31	525 58 50-01	BEARING		4
32	525 58 54-01	RADIAL SEAL		1
33	525 58 51-01	BEARING		1
34	574 45 18-01	PEN		3
35	576 74 40-01	GEAR WHEEL SHAFT		1
36	522 52 54-01	GEAR WHEEL SHAFT		1
37	720 13 51-50	PARALLEL PIN		1
38	525 58 56-01	SCREW		1
39	522 52 59-01	GEARSHIFT LEVER		1
40	531 11 94-63	PIN		1
41	531 11 81-13	PLUG		1
42	531 11 81-20	COUPLING		2
43	582 23 34-01	SWIVEL BRACKET		2
44	725 53 31-01	SCREW IHSCM		2
45	574 64 85-01	COOLING AIR CONDUCTOR		1
46	574 45 58-01	RADIAL SEAL		2
47	575 49 15-01	DAMPER		1
48	575 49 11-01	PROTECTOR BAR		1
49	575 49 14-01	SCREW		1
50	525 58 52-01	SPRING		2
51	580 41 83-01	KNOB		1
52	531 11 93-66	BALL		4
53	720 13 08-50	PARALLEL PIN		1
54	740 44 05-00	O-RING		1
55	525 58 53-01	O-RING		1
56	574 45 29-01	O-RING		1
57	529 28 14-01	BEARING CAGE		1
58	529 28 17-01	LID		1
59	725 62 87-01	SCREW IHCSFM		6
60	574 45 30-01	O-RING		1
61	522 52 64-01	INTERLAYER		1
62	574 45 32-01	SNAP RING		1
63	574 45 20-01	BEARING		1
64	522 52 62-02	DRIVER		1
65	531 11 94-51	O-RING		1
66	522 52 63-01	MANIFOLD		1
67	734 11 63-01	WASHER		6
68	725 54 64-01	SCREW IHSCM		6



HOSE

WS482 HF, Valid from 20134501537, 2013-11

Ref	Part No	Description	Remark	QTY KIT
1	505 11 53-01	HOSE	8 m, Incl. 2 - 6	1
2	531 11 83-05	SCREW		2
3	740 38 27-01	SEALING WASHER		6
4	531 11 82-19	QUICK COUPLING		2
5	531 11 82-18	QUICK COUPLING		2
6	505 21 83-01	HOSE		1
7	505 21 82-01	HOSE		1
8	505 21 84-01	HOSE	1 m, Incl. 2 - 5, 8	1



SAW HEAD, COMPLETE

WS482 HF, Valid from 20134501537, 2013-11

Ref	Part No	Description	Remark	QTY KIT
1	580 66 27-02	WALL SAW ASSY	Excluding Blade Flange	1