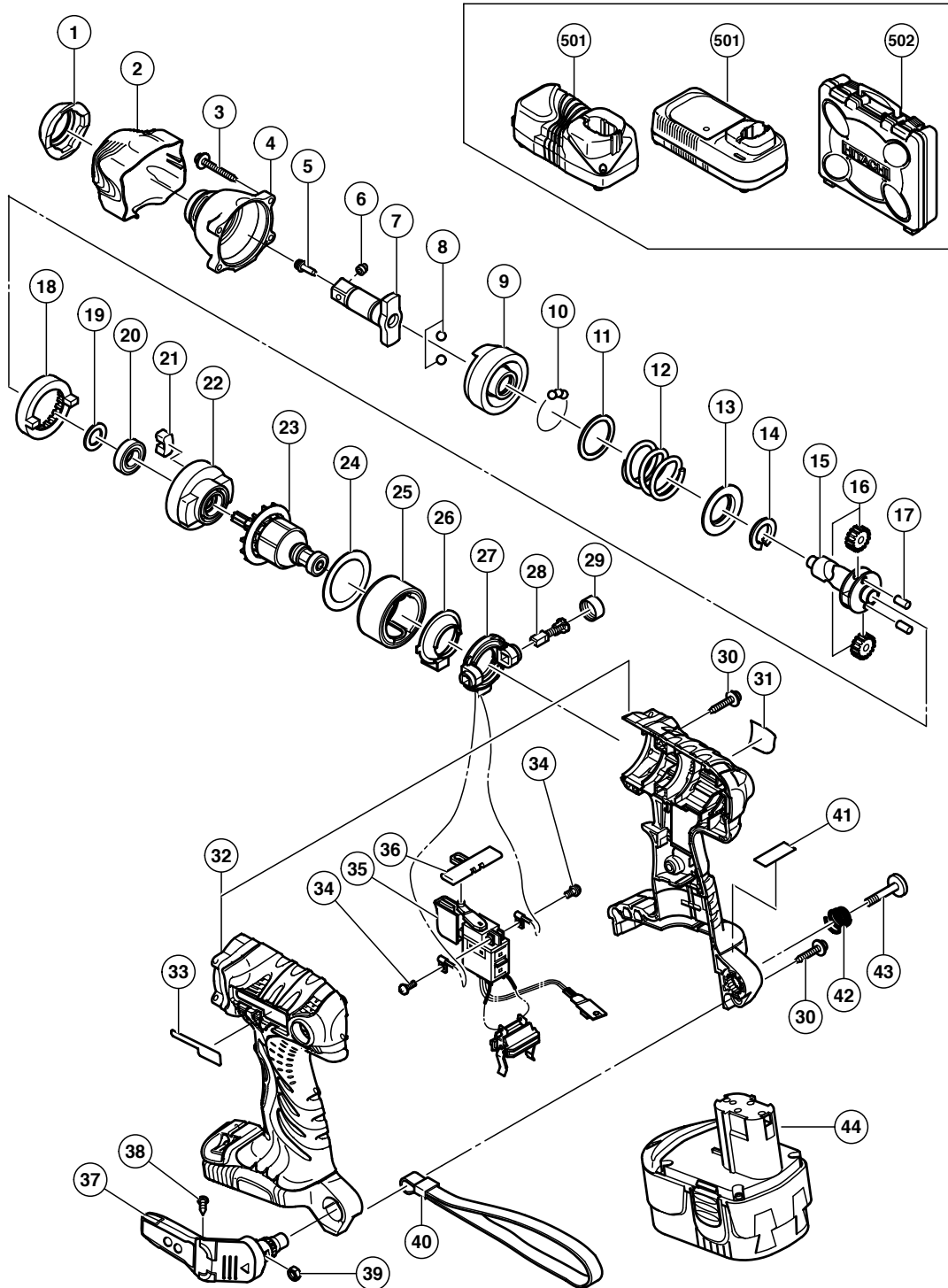


ELECTRIC TOOL PARTS LIST

CORDLESS IMPACT WRENCH Model WR 18DMR

2005 · 7 · 8

(E1)



1	322-243	Front Cap (A) (Black)
2	324-239	Protector (D)
3	307-851	Tapping Screw (Wisp. Washer) D4X30 (Black)
4	324-250	Hammer Case
5	324-257	Pin Retainer (B)
6	324256	Plunger B
7	324-255	Anvil (A) Assy
8	959154	Steel Ball D5.556 10 Pcs.
9	324218	Hammer
10	959-148	Steel Ball D3.175 (10 Pcs.)
11	315978	Washer J
12	324-224	Hammer Spring (F)
13	316172	Washer S
14	324222	Stopper B
15	324-232	Spindle
16	321-667	Idle Gear Set (2 Pcs.)
17	324-234	Needle Roller (A)
18	320-877	Ring Gear (C)
19	319911	Washer E
20	6901VV	Ball Bearing 6901Vvcmps2L
21	324230	Damper A
22	321-664	Inner Cover (A)
23	360-713	Armature and Pinion Set
24	324607	Side Yoke A
25	324-235	Magnet (F) Assy
26	324228	Dust Guard Fin B
27	321-662	Brush Block
28	999054	Carbon Brush 5 X 6 X 11.5 1 Pair
29	319918	Brush Cap
30	302086	Tapping Screw W/Flange D4 X 20 Black
32	324-240	Housing (A).(B) Set
33	324-687	Hitachi Plate
34	994534	Machine Screw (Wisp. Washer) M3X5
35	321-533	DC-Speed Control Switch
36	324225	Pushing Button B
37	321918	Hook Assy (W/Light)
38	321-672	Tapping Screw D2X6
39	320-288	V-Lock Nut M5
40	306-952	Strap (Black)
42	319-926	Hook Spring
43	320-881	Special Screw (A) M5
00	322-878	Battery EB 1826HL (W/English N.P.)
00	322-880	Battery EB 1820L (W/English N.P.)
502	323230	Case
00	322-878	Battery EB 1826HL (W/English N.P.)
00	322-880	Battery EB 1820L (W/English N.P.)

604	321-666	Spindle (D)
610	948-227	Retaining Ring For D47 Hole
618	873187	O-Ring J1Sw1516 Optional