

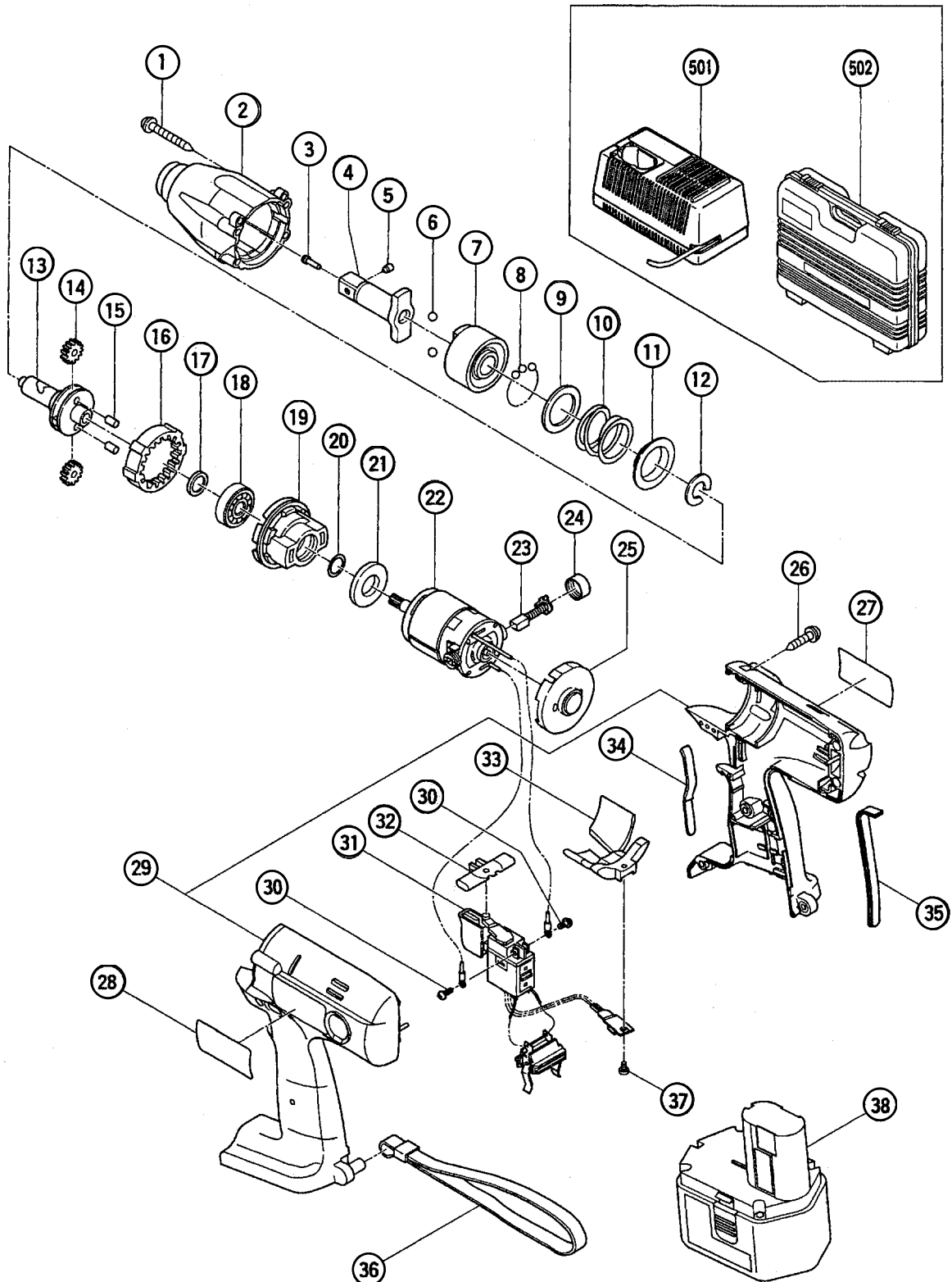
ELECTRIC TOOL PARTS LIST

■ CORDLESS IMPACT WRENCH

2000•6•20

Model WR 14DH

(E1)



PARTS

WR 14DH

ITEM NO.	CODE NO.	DESCRIPTION	NO. USED	REMARKS
1	306-305	TAPPING SCREW (W/SP. WASHER) D4X35(BLACK)	4	
2	319-251	HAMMER CASE	1	
3	985-209	PIN RETAINER	1	
4	319-250	ANVIL (C) ASS'Y	1	INCLUD.3,5
5	985-208	PLUNGER	1	
6	959-154	STEEL BALL D5.556 (10 PCS.)	2	
7	318-374	HAMMER	1	
8	959-148	STEEL BALL D3.175 (10 PCS.)	30	
9	315-978	WASHER (J)	1	
10	318-376	SPRING (A)	1	
11	316-172	WASHER (S)	1	
12	316-171	STOPPER	1	
13	318-375	SPINDLE	1	
14	319-135	IDLE GEAR SET (2 PCS.)	1	
15	318-378	NEEDLE ROLLER	2	
16	318-379	RING GEAR	1	
17	991-455	WASHER (C)	1	
18	600-1VV	BALL BEARING 6001VVCMP2L	1	
19	318-373	INNER COVER	1	
20	876-078	O-RING (S-20)	1	
21	306-302	DAMPER	1	
22	318-381	MOTOR	1	
23	999-058	CARBON BRUSH (1 PAIR)	2	
24	318-390	BRUSH CAP	2	
25	318-380	REAR DAMPER	1	
26	302-086	TAPPING SCREW (W/FLANGE) D4X20 (BLACK)	7	
27		NAME PLATE	1	
28		HITACHI LABEL	1	
29	319-252	HOUSING (A).(B) SET	1	INCLUD.34,35
30	994-532	MACHINE SCREW (W/SP. WASHER) M3X5	2	
31	318-382	DC-SPEED CONTROL SWITCH	1	
32	316-166	PUSHING BUTTON	1	
33	318-391	FIN ASS'Y	1	INCLUD.37
34	318-389	GRIP (F)	1	
35	318-388	GRIP (R)	1	
36	306-952	STRAP (BLACK)	1	
37	311-131	S-TIGHT SCREW D3.5X6	1	
* 38	315-130	BATTERY EB 14B (W/ENGLISH N.P)	1	
* 38	315-129	BATTERY EB 14B (W/ENGLISH N.P)	1	FOR USA,CAN

STANDARD ACCESSORIES

WR 14DH

ITEM NO.	CODE NO.	DESCRIPTION	NO. USED	REMARKS
501		CHAGER (MODEL UC 14YF2)	1	
502	318-392	CASE	1	

OPTIONAL ACCESSORIES

ITEM NO.	CODE NO.	DESCRIPTION	NO. USED	REMARKS
601	318-372	BATTERY EB 1430H (W/ENGLISH N.P.)	1	
602		CORNER ATTACHMENT ASS'Y	1	INCLUD.603-619
603	955-300	HOUSING	1	
604	955-301	METAL	3	
605	955-302	SPINDLE	1	
606		HITACHI LABEL	1	
607	955-303	BEARING RACE	2	
608	955-304	NEEDLE THRUST BEARING (NTA-1413)	2	
609	955-305	COVER	1	
610	955-306	NEEDLE BEARING (NTN BK1012)	1	
611	948-227	RETAINING RING FOR D47 HOLE	1	
612	955-307	PINION	1	
613	955-308	SLEEVE	1	
614	955-309	WASHER	1	
615	955-310	SOCKET COVER	1	
616	955-311	SOCKET	1	
617	303-247	SEAL LOCK HEX. SOCKET HD. BOLT M5X25	6	
618	873-537	SOCKET PIN	1	
619	873-187	O-RING (J1SW1516)	1	
620	991-481	FORM TIE SOCKET ASS'Y 11.3MMX95L	1	INCLUD.621,622
621	873-537	SOCKET PIN	1	
622	873-187	O-RING (J1SW1516)	1	
623	992-610	UNIVERSAL JOINT ASS'Y	1	INCLUD.621,622
624	955-153	UNIVERSAL JOINT PIN	1	
625	991-476	BIT ADAPTER ASS'Y	1	INCLUD.621,622
626	991-480	HEX. SOCKET ASS'Y (LONG) 21MMX125L	1	INCLUD.621,622
627	944-291	HEX. SOCKET ASS'Y 10MMX40L	1	INCLUD.621,622
628	873-632	HEX. SOCKET ASS'Y 12MMX40L	1	INCLUD.621,622
629	873-539	HEX. SOCKET ASS'Y 13MMX40L	1	INCLUD.621,622
630	873-540	HEX. SOCKET ASS'Y 14MMX40L	1	INCLUD.621,622
631	873-536	HEX. SOCKET ASS'Y 17MMX32L	1	INCLUD.621,622
632	873-624	HEX. SOCKET ASS'Y 19MMX34L	1	INCLUD.621,622
633	873-626	HEX. SOCKET ASS'Y 21MMX36L	1	INCLUD.621,622
634	873-627	HEX. SOCKET ASS'Y 22MMX40L	1	INCLUD.621,622
635	986-058	HEX. SOCKET FOR PLASTIC CONE 12MMX70L	1	INCLUD.621,622
636	873-633	EXTENSION BAR ASS'Y (SQUARE) 12.7MMX100L	1	INCLUD.637
637	873-537	SOCKET PIN	1	
638	955-151	HEX. SOCKET ASS'Y (LONG) 21MMX75L	1	INCLUD.621,622
639	955-138	HEX. SOCKET ASS'Y (LONG) 12MMX52L	1	INCLUD.621,622
640	955-139	HEX. SOCKET ASS'Y (LONG) 13MMX52L	1	INCLUD.621,622
641	955-140	HEX. SOCKET ASS'Y (LONG) 14MMX52L	1	INCLUD.621,622

OPTIONAL ACCESSORIES

WR 14DH

ITEM No.	CODE NO.	DESCRIPTION	NO. USED	REMARKS	
642	955-141	HEX. SOCKET ASS'Y (LONG) 17MMX52L	1	INCLUD.621,622	
643	955-142	HEX. SOCKET ASS'Y (LONG) 19MMX52L	1	INCLUD.621,622	
644	955-149	HEX. SOCKET ASS'Y (LONG) 17MMX75L	1	INCLUD.621,622	
645	955-150	HEX. SOCKET ASS'Y (LONG) 19MMX75L	1	INCLUD.621,622	
646	955-143	HEX. SOCKET ASS'Y (LONG) 21MMX52L	1	INCLUD.621,622	
647	955-144	HEX. SOCKET ASS'Y (LONG) 22MMX52L	1	INCLUD.621,622	
648	992-613	SOCKET ASS'Y FOR DUCT 13MMX95L	1	INCLUD.621,622,649	
649	992-614	SOCKET FOR DUCT 13MMX52L	1		
650	992-615	SOCKET ASS'Y FOR DUCT 14MMX95L	1	INCLUD.621,622,651	
651	992-616	SOCKET FOR DUCT 14MMX52L	1		
652	993-658	SOCKET ASS'Y FOR DUCT 12MMX95L	1	INCLUD.621,622,653	
653	993-659	SOCKET FOR DUCT 12MMX52L	1		
654	308-090	HOOK (FOR CORDLESS TOOLS)	1		
655	307-824	HOLSTER	1		
656	309-922	GREASE FOR IMPACT DRIVER (500G)	1		