

RIDGID
Pump Assembly
Model No. WP1200
Repair Sheet

RIDGID PUMP ASSEMBLY – MODEL NO. WP1200

The model number will be found on a label attached to housing. Always mention the model number in all correspondence regarding your **PUMP ASSEMBLY** or when ordering replacement parts.

FIGURE A

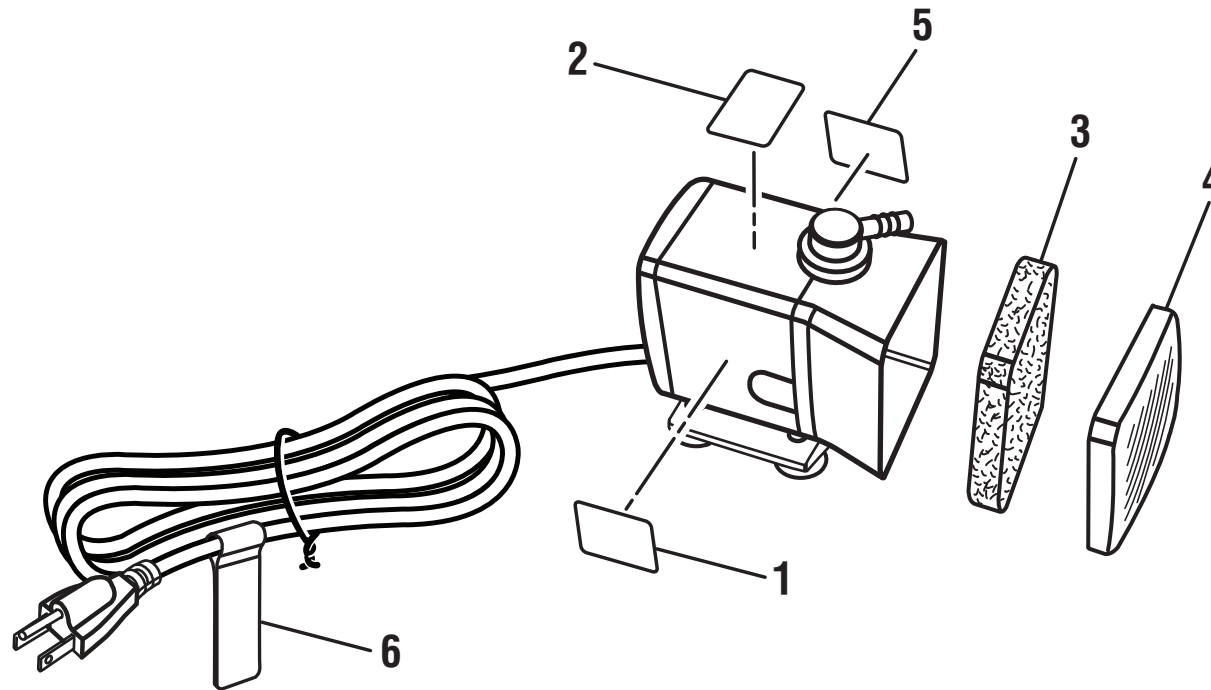


FIGURE A PARTS LIST

KEY NO.	PART NUMBER	DESCRIPTION	QTY.	KEY NO.	PART NUMBER	DESCRIPTION	QTY.
1	080009005913	Logo Label	1	6	080009004912	Cord Wrap Label (French/Spanish).....	1
2	080009005918	Data Label (Jebao)	1		987000994	Operator's Manual (080009005919).....	1
3	080009006019	Pump Filter.....	1		01-15-10		
4	080009006004	Pump End Cap.....	1		(REV:01)		
5	080009005920	Warning Label (English).....	1				