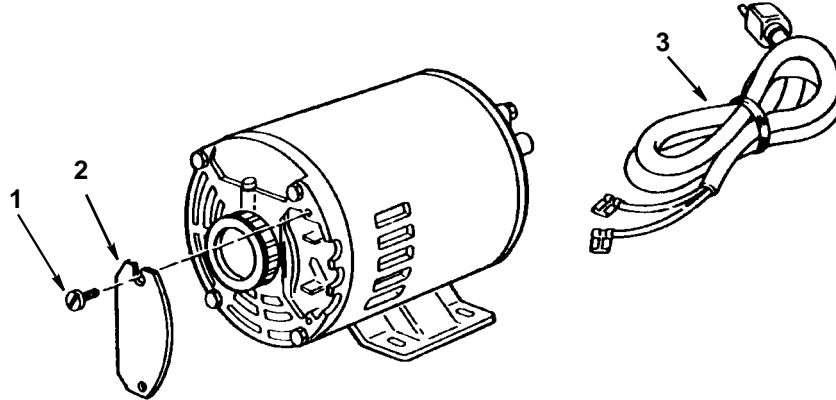


Repair Parts

RIDGID 12" Wood Lathe Model No. WL12000

Figure 1

NOTE: Any attempt to repair this motor may create a hazard unless repair is done by qualified service technician. Repair service is available at an Authorized Service Center.



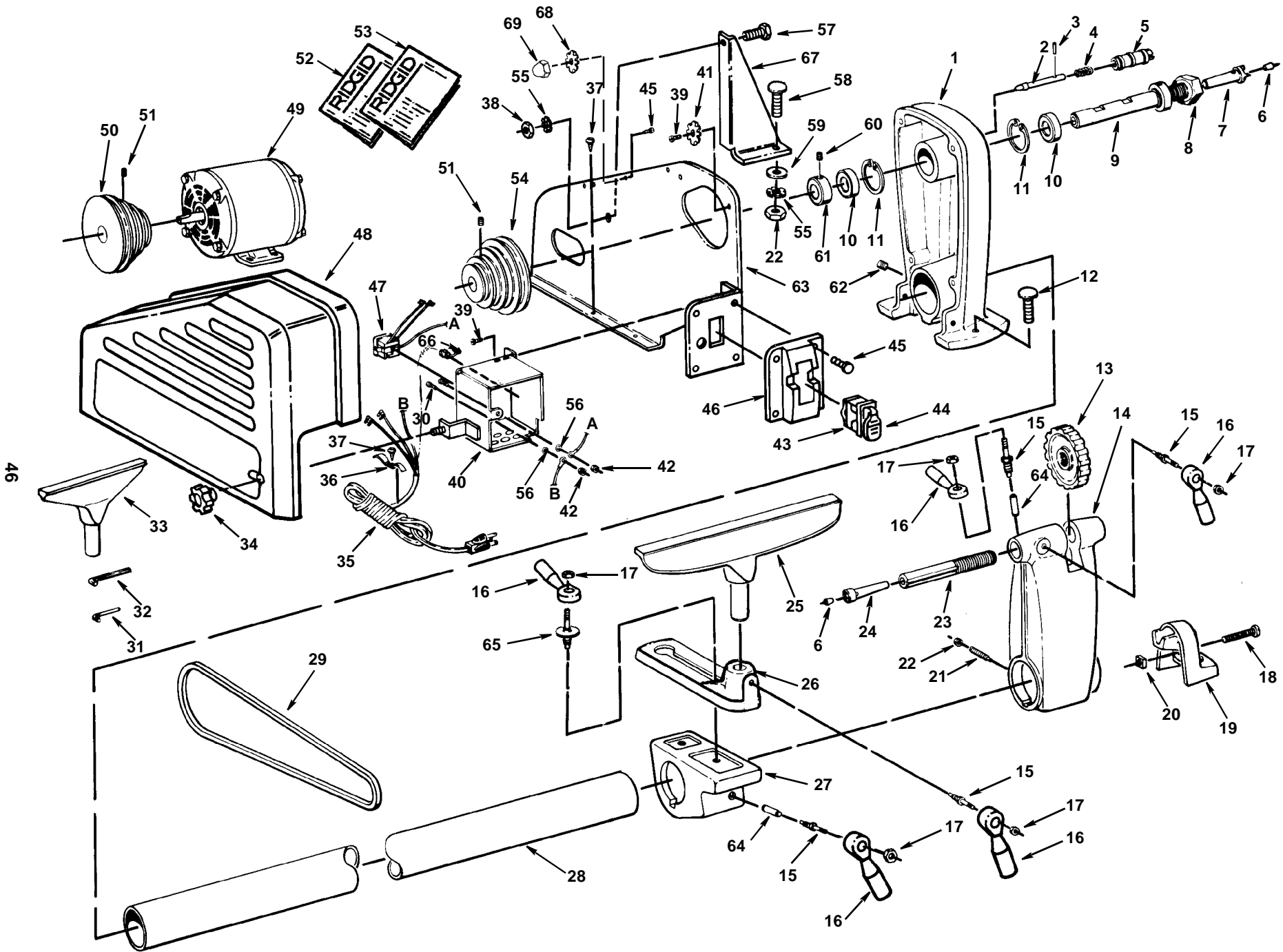
Always order by Part Number -- Not by Key Number

Key No.	Part No.	Description
1	805509-2	* Screw, Pan Hd. 8-32 x 3/8
2	64088	Cover, Terminal
3	305919-89	Cord with Plug

* Standard Hardware Item - May be purchased locally

RIDGID 12" Wood Turning Lathe Model WL12000

Figure 2



RIDGID 12" Wood-Turning Lathe Model No. WL12000

Figure 2

Always order by Part Number -- Not by Key Number

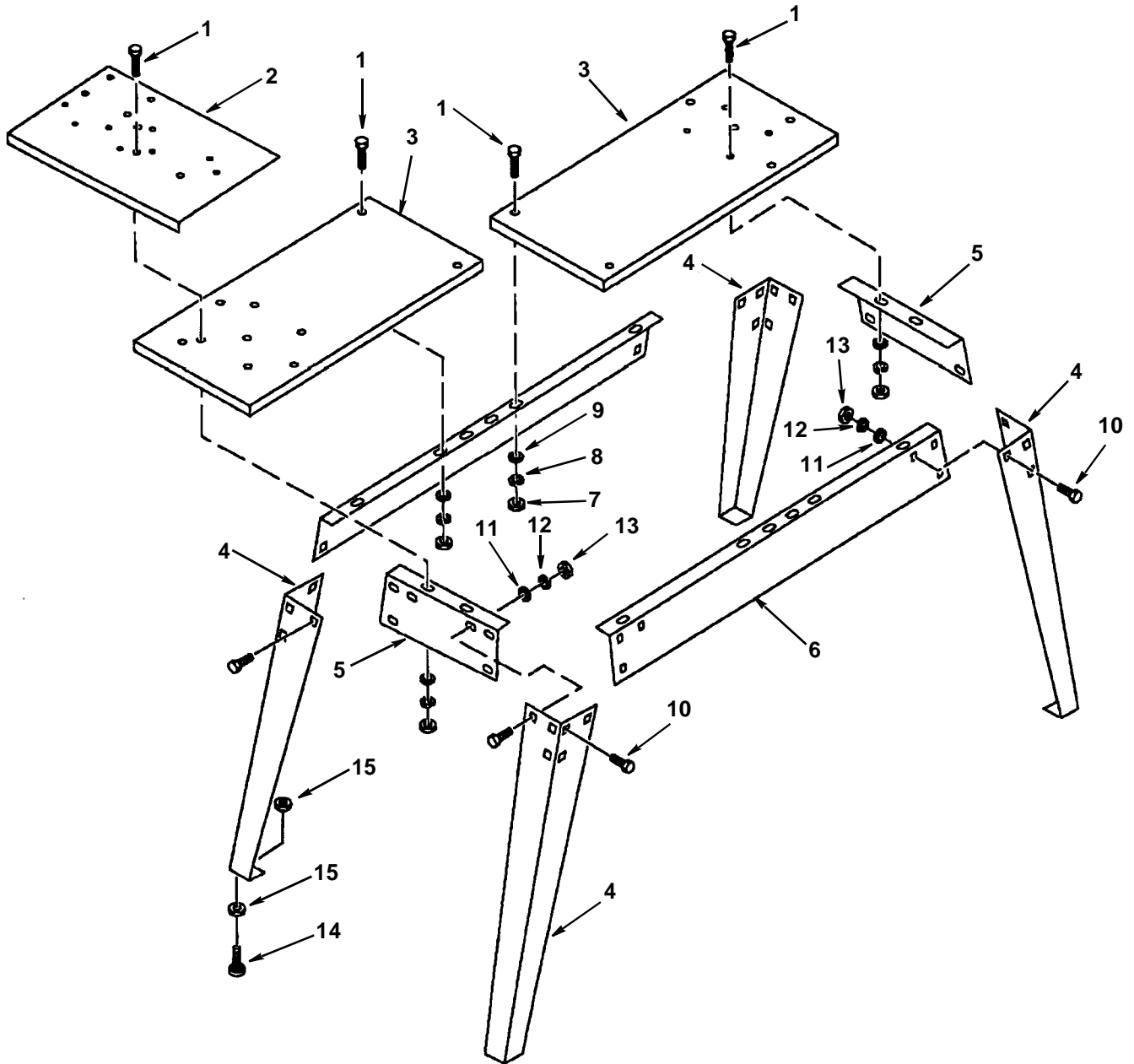
Key No.	Part No.	Description
1	826550	Headstock
2	826564	Plunger
3	813249-54	Pin Roll 2.5-12
4	826563	Spring
5	826562	Housing Plunger
6	826584	Center Point
7	826582	Center Spur
8	816989	Nut Hex 3/4-16
9	826553	Spindle
10	826552	Bearing Ball
11	826551	Ring Retaining
12	820377-2	Bolt Carriage M6 x 1.0-60
13	826560	Wheel Hand
14	828269	Housing Tailstock
15	826591	Stud nut
16	826592	Lever
17	817449-1	Nut Lock M6 x 1.0
18	826587	* Screw Pan Hd. M8 x 1.25-45
19	826577	Foot Rear
20	820258-4	Nut Sq. M8 x 1.25
21	828180	Screw SI Set M8 x 1.25-31.75
22	820326-7	* Nut Hex M8 x 1.25
23	826559	Spindle Tailstock
24	826583	Center Cup
25	826574	Rest 12" Tool
26	826575	Holder Tool Rest
27	826576	Clamp Support
28	826571	Tube Asm
29	808644	* Belt V 1/2 x 37
30	816743-4	* Screw Pan Cr M4 x 0.7-8
31	813317-7	Wrench Hex L M4
32	813317-8	Wrench Hex L M5
33	826570	Rest 6" Tool
34	826601	Knob Guard

Key No.	Part No.	Description
35	826607	Cord w/Plug
36	63418	Clamp Cord
37	816743-4	* Screw Pan Hd M4 x 0.7 x 8
38	820236-6	Nut Hex M6 x 1.0
39	826586	* Screw Pan Hd Ty T M5 x 0.8-12
40	826606	Box Junction
41	813314-8	* Lockwasher Ext M5
42	824026-4	* Nut Hex M4 x 0.7
43	826123	Switch Locking
44	826122	† AC1000 Key Switch
45	816743-4	* Screw Pan Hd Cr M4 x .7-6
46	826396	Bezel Switch
47	60341	Outlet
48	826599	Guard Asm.
49	826618	Motor
50	826556	Pulley 4 Step
51	817391-2	* Screw Soc Set M8 x 1.25-8
52	SP6169	Owners Manual
53	SP6170	Owners Manual - Spanish/French
54	826572	Pulley 4 Step
55	818826-6	* Lockwasher M6
56	813163-6	* Lockwasher Int M4
57	820249-6	* Screw Hex Hd M6 x 1.0-12
58	820377-1	Bolt Cup Hd Sq Neck M6 x 1.0-45
59	820238-7	* Washer M6
60	817391-2	* Screw Soc Set M8 x 1.25-8
61	826554	Collar
62	821750	* Screw Hex Soc Set M10 x 1.5-12
63	826605	Plate Guard
64	826590	Shoe Lock
65	826593	Stud Nut
66	169123-11	Relief Strain
67	826569	Bracket Plate
68	818826-4	Lockwasher M4
69	828217	Acorn Nut M4

* Standard Hardware Item - May Be Purchased Locally

† This item is a RIDGID accessory available at Home-Depot

RIDGID 12" Wood-Turning Lathe
Model No. WL12000
Figure 3



RIDGID 12" Wood-Turning Lathe

Model No. WL12000

Figure 3

Always order by Part Number -- Not by Key Number

Key No	Part No.	Description
1	820377-1	Bolt Rd. Hd. Sq. Neck M6 x 1.0-45
2	826579	Plate Support
3	826619	Board Wood Lathe
4	826890	Leg
5	826581	Support End
6	826580	Support Side
7	817449-1	* Nut Hex M6 x 1.0
8	818826-6	* Lockwasher M6
9	820238-7	* Washer M6
10	821103	Bolt Rd. Hd. Sq. Neck M8 x 1.25-16
11	821063-2	* Washer M8 x 16 x 1.6
12	818826-7	* Lockwasher M8
13	820236-7	* Nut Hex M8
14	803835-1	Foot Leveling
15	805483	* Nut Hex Jam 3/8-16

* Standard hardware item - may be purchased locally.