

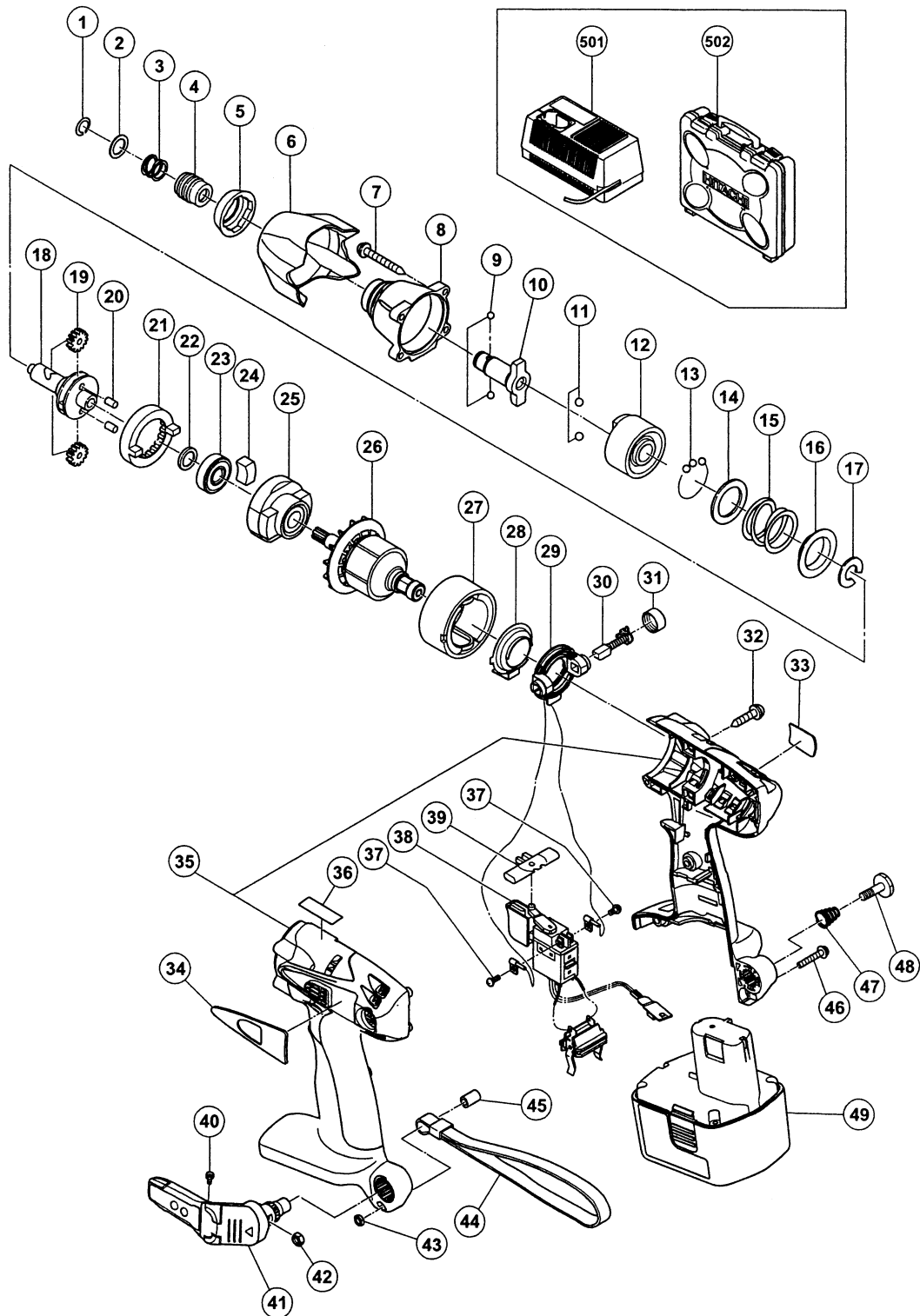
ELECTRIC TOOL PARTS LIST

■ CORDLESS IMPACT DRIVER

2003 · 6 · 5

Model WH 14DM

(E1)



PARTS

WH 14DM

ITEM NO.	CODE NO.	DESCRIPTION	NO. USED	REMARKS	1A	2A
1	317-530	RETAINING RING	1		50	25
2	318-394	RETAINER	1		50	25
3	317-528	GUIDE SPRING	1		50	25
4	322-077	GUIDE SLEEVE	1			
5	320-418	FRONT CAP	1			
6	322-076	PROTECTOR	1			
7	319-917	TAPPING SCREW (W/SP. WASHER) D4X25 (BLACK)	4			
8	322-075	HAMMER CASE	1			
9	959-155	STEEL BALL D3.97 (10 PCS.)	2			
10	322-072	ANVIL (C)	1			
11	959-154	STEEL BALL D5.556 (10 PCS.)	2			
12	322-069	HAMMER (E)	1			
13	959-148	STEEL BALL D3.175 (10 PCS.)	28			
14	315-978	WASHER (J)	2			
15	320-879	HAMMER SPRING (C)	1			
16	316-172	WASHER (S)	1			
17	316-171	STOPPER	1			
18	322-068	SPINDLE (E)	1			
19	319-913	IDLE GEAR SET (2 PCS.)	2			
20	319-914	NEEDLE ROLLER	2			
21	320-877	RING GEAR (C)	1			
22	319-911	WASHER (E)	1			
23	690-1VV	BALL BEARING 6901VVCMP2L	1			
24	322-143	DAMPER	1		20	10
25	319-908	INNER COVER	1			
26	360-613	ARMATURE DC 14.4V	1			
27	320-916	MAGNET (C) ASS'Y	1			
28	319-907	DUST GUARD FIN	1			
29	320-876	BRUSH BLOCK	1			
30	999-054	CARBON BRUSH 5X6X11.5 (1 PAIR)	2			
31	319-918	BRUSH CAP	2			
32	302-086	TAPPING SCREW (W/FLANGE) D4X20 (BLACK)	7			
33		NAME PLATE	1			
34		HITACHI LABEL	1			
35	322-074	HOUSING (A).(B) SET	1			
36		CAUTION PLATE	1			
37	994-532	MACHINE SCREW (W/SP. WASHER) M3X5	2			
38	321-533	DC-SPEED CONTROL SWITCH	1		50	25
39	320-512	PUSHING BUTTON	1		20	10
40	321-672	TAPPING SCREW D2X6	2		20	10
41	321-918	HOOK ASS'Y (W/LIGHT)	1	INCLUD. 40, 42		
42	320-288	V-LOCK NUT M5	1			
43	949-565	LOCK NUT M4 (10 PCS.)	1			
44	306-952	STRAP (BLACK)	1			
45	320-882	SLEEVE	1			
46	676-386	MACHINE SCREW (W/WASHERS) M4X25	1			
47	319-926	HOOK SPRING	1			
48	320-881	SPECIAL SCREW (A) M5	1			
49	318-372	BATTERY EB 1430H (W/ENGLISH N.P.)	2			
49	315-130	BATTERY EB 14B (W/ENGLISH N.P.)	2			
49	315-129	BATTERY EB 14B (W/ENGLISH N.P.)	1	FOR USA, CAN		

STANDARD ACCESSORIES

WH 14DM

ITEM NO.	CODE NO.	DESCRIPTION	NO. USED	REMARKS
501		CHARGER (MODEL UC 14YF2)	1	
502	322-070	CASE	1	

OPTIONAL ACCESSORIES

ITEM NO.	CODE NO.	DESCRIPTION	NO. USED	REMARKS
601	321-823	DRILL CHUCK AND ADAPTER SET	1	INCLUD. 616, 618
602	309-922	GREASE FOR IMPACT DRIVER (500G)	1	
603	992-671	+ DRIVER BIT (B) NO.2 50L	1	
604	992-672	+ DRIVER BIT (B) NO.3 50L	1	
605	996-177	NON-MAGNETIC HEX. SOCKET 8MM 65L	1	
606	985-329	NON-MAGNETIC HEX. SOCKET 10MM 65L	1	
607	996-178	NON-MAGNETIC HEX. SOCKET 12MM 65L	1	
608	996-179	NON-MAGNETIC HEX. SOCKET 13MM 65L	1	
609	996-180	NON-MAGNETIC HEX. SOCKET 14MM 65L	1	
610	996-181	NON-MAGNETIC HEX. SOCKET 16MM 65L	1	
611	996-182	NON-MAGNETIC HEX. SOCKET 17MM 65L	1	
612	996-185	NON-MAGNETIC HEX. SOCKET 15MM 65L	1	
613	996-186	NON-MAGNETIC HEX. SOCKET 19MM 65L	1	
614	996-197	HEX. SOCKET (LONG) 21MMX166L	1	
615	996-184	BIT PIECE	1	
616	987-575	CHUCK WRENCH FOR 10VLB-D,10VLR-D	1	
617	930-119	CHUCK WRENCH 6.5G	1	
618	307-543	CHUCK ADAPTER	1	