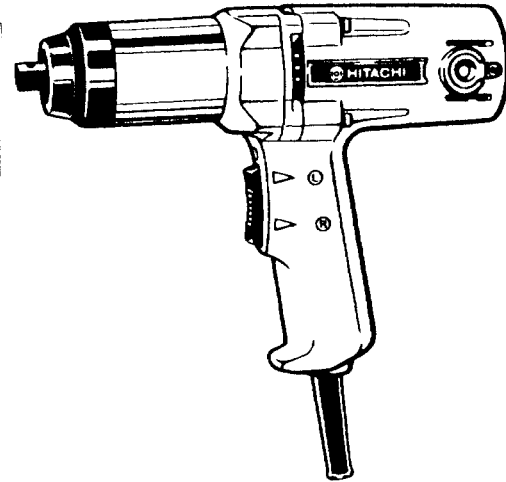
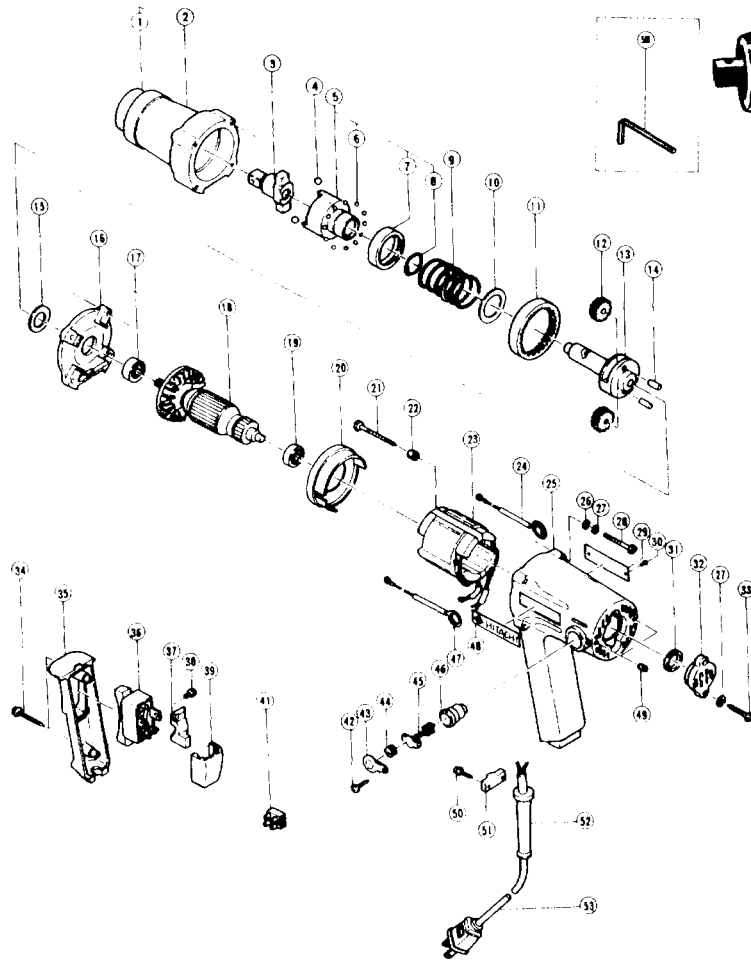




HITACHI

9/16" IMPACT WRENCH

Model WH 14



ITEM NO.	PART NO.	NO. USED	DESCRIPTION	SUPPLY Q'TY	ITEM NO.	PART NO.	NO. USED	DESCRIPTION	SUPPLY Q'TY
1	986044	1	Bumper		28	986060	4	Seal Lock Bolt M4×45	
2	986043	1	Hammer Case Assembly (includes Item 1)		29	—	1	Name Plate	
3	986057	1	Anvil (B)		30	932642	2	Rivet	
4	959150	2	Steel Ball D6.35	10	31	985198	1	Rubber Washer	
5	986045	1	Hammer Assembly (includes Item 6 — 8)		32	985162	1	Tail Cover	
6	959148	30	Steel Ball D3.17	10	33	956384	2	Tapping Screw D4×20	
7	986046	1	Spring Sheet		34	985984	2	Tapping Screw D4×35	
8	986047	1	Retaining Ring		35	985983	1	Handle Cover	
9	986042	1	Spring		36	985103	1	Switch (Screw Type) includes Item 38	
10	986041	1	Washer		37	985176	1	Switch Adapter	
11	985980	1	Ring Gear		38	980060	4	Machine Screw M3.5×5	
12	985976	2	Idle Gear		39	985177	2	Switch Holder	
13	986040	1	Spindle		41	983418Z	1	Pillar Terminal (B)	
14	985169	2	Needle Roller		42	985715	2	Tapping Screw D4×10	
15	985979	1	Washer (B)		43	985179	2	Cap Cover	
16	985974	1	Inner Cover		44	931266	2	Brush Cap	
17	608DDM	1	Ball Bearing 608DDMC2EPS2S		45	999021	2	Carbon Brush	2
18	986051C	1	Armature		46	957571	2	Brush Holder	
19	608VVM	1	Ball Bearing 608VVMC2EPS2L		47	985193	1	Internal Wire	
20	985973	1	Fan Guide		48	957561	1	HITACHI Label	
21	961672	1	Hexagon Head Tapping Screw M4×50		49	961681	2	Set Screw D4×16	
22	960107	2	Special Washer		50	930446	2	Tapping Screw D4×16	
23	986049C	1	Stator		51	937631	1	Cord Clip	
24	985192	1	Internal Wire		52	953327	1	Cord Armor	
25	985970	1	Housing Assembly (includes Item 46,49)		53	500240Z	1	Cord	
27	949453	2	Spring Washer M4	10	501	943277	1	Hexagon Bar Wrench 3mm	