

# HITACHI

LIST NO. F829

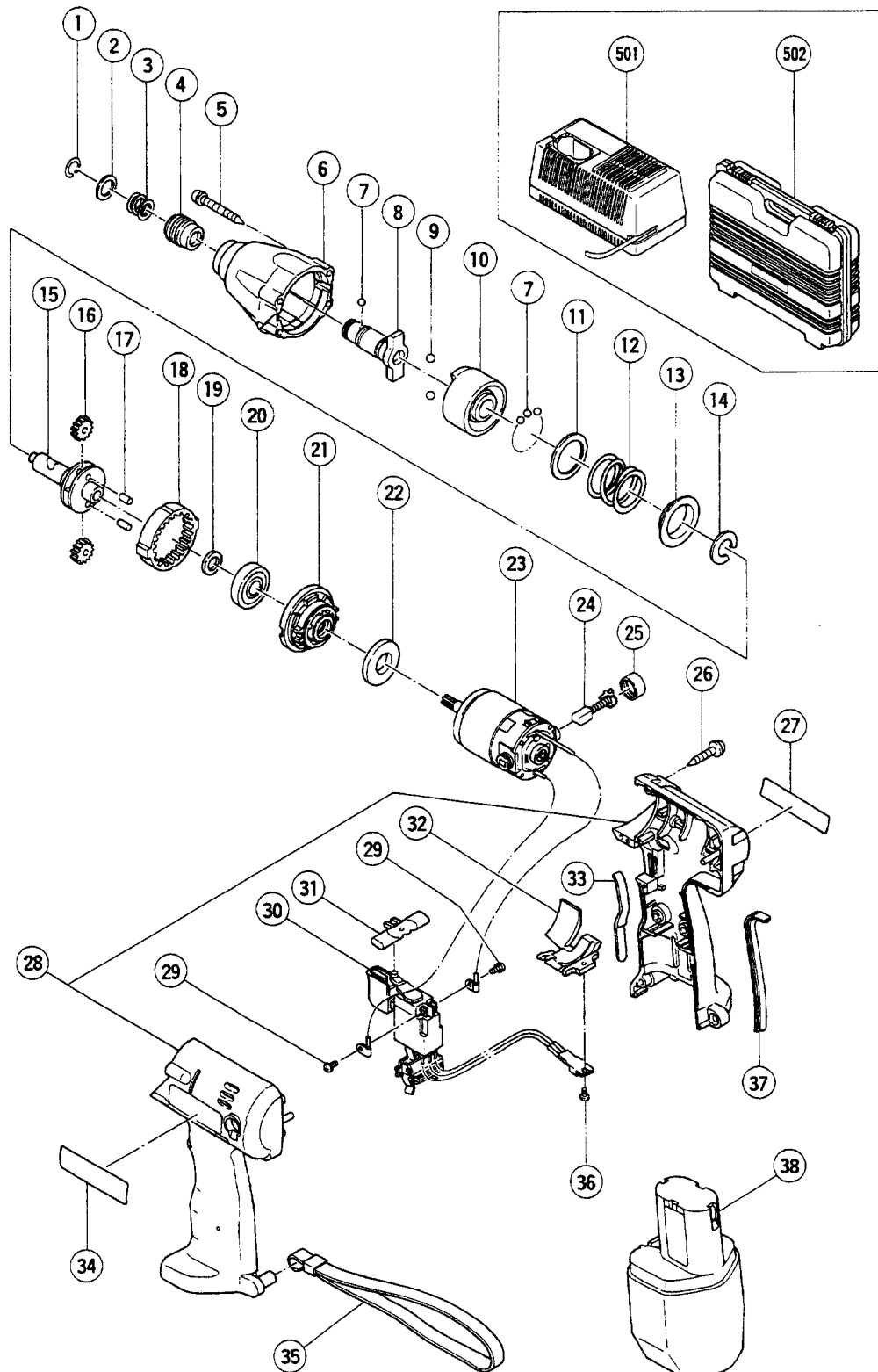
## ELECTRIC TOOL PARTS LIST

■ CORDLESS IMPACT DRIVER

1998·11·30

Model WH 12DH

(E1)



## PARTS

WH 12DH

ITEM NO.	CODE NO.	DESCRIPTION	NO. USED	REMARKS
1	315-984	RETAINING RING	1	
2	315-983	WASHER (D)	1	
3	315-982	GUIDE SPRING	1	
4	315-981	GUIDE SLEEVE	1	
5	307-851	TAPPING SCREW (W/SP. WASHER) D4X30(BLACK)	4	
6	317-339	HAMMER CASE	1	
7	315-980	STEEL BALL D3.5	26	
8	317-338	ANVIL (B)	1	
9	959-154	STEEL BALL D5.556 (10 PCS.)	2	
10	316-168	HAMMER	1	
11	315-978	WASHER (J)	1	
12	316-170	SPRING	1	
13	316-172	WASHER (S)	1	
14	316-171	STOPPER	1	
15	316-169	SPINDLE	1	
16	316-313	IDLE GEAR	2	
17	991-449	NEEDLE ROLLER	2	
18	302-337	RING GEAR	1	
19	991-455	WASHER (C)	1	
20	600-1VV	BALL BEARING 6001VVCMP2L	1	
21	316-167	INNER COVER	1	
22	310-319	DAMPER	1	
23	316-173	MOTOR	1	
24	999-054	CARBON BRUSH 5X6X11.5 (1 PAIR)	2	
25	316-180	BRUSH CAP	1	
26	302-086	TAPPING SCREW (W/FLANGE) D4X20 (BLACK)	7	
27		NAME PLATE	1	
28	317-340	HOUSING (A).(B) SET	1	INCLUD.33,37
29	994-532	MACHINE SCREW (W/SP. WASHER) M3X5	2	
30	316-783	DC-SPEED CONTROL SWITCH	1	
31	316-166	PUSHING BUTTON	1	
32	316-179	FIN ASS'Y	1	INCLUD.36
33	316-178	GRIP (F)	1	
34		HITACHI LABEL	1	
35	306-952	STRAP	1	
36	311-131	S-TIGHT SCREW D3.5X6	1	
37	316-177	GRIP (R)	1	
* 38	310-378	BATTERY EB 12B (W/ENGLISH N.P.)	1	
* 38	310-452	BATTERY EB 12B (W/ENGLISH N.P.)	1	FOR NZL,AUS
* 38	310-453	BATTERY EB 12B (W/ENGLISH N.P.)	1	FOR USA,CAN
* 38	316-665	BATTERY EB 12H (W/ENGLISH N.P.)	1	

\* : ALTERNATIVE PARTS

11 - 98

