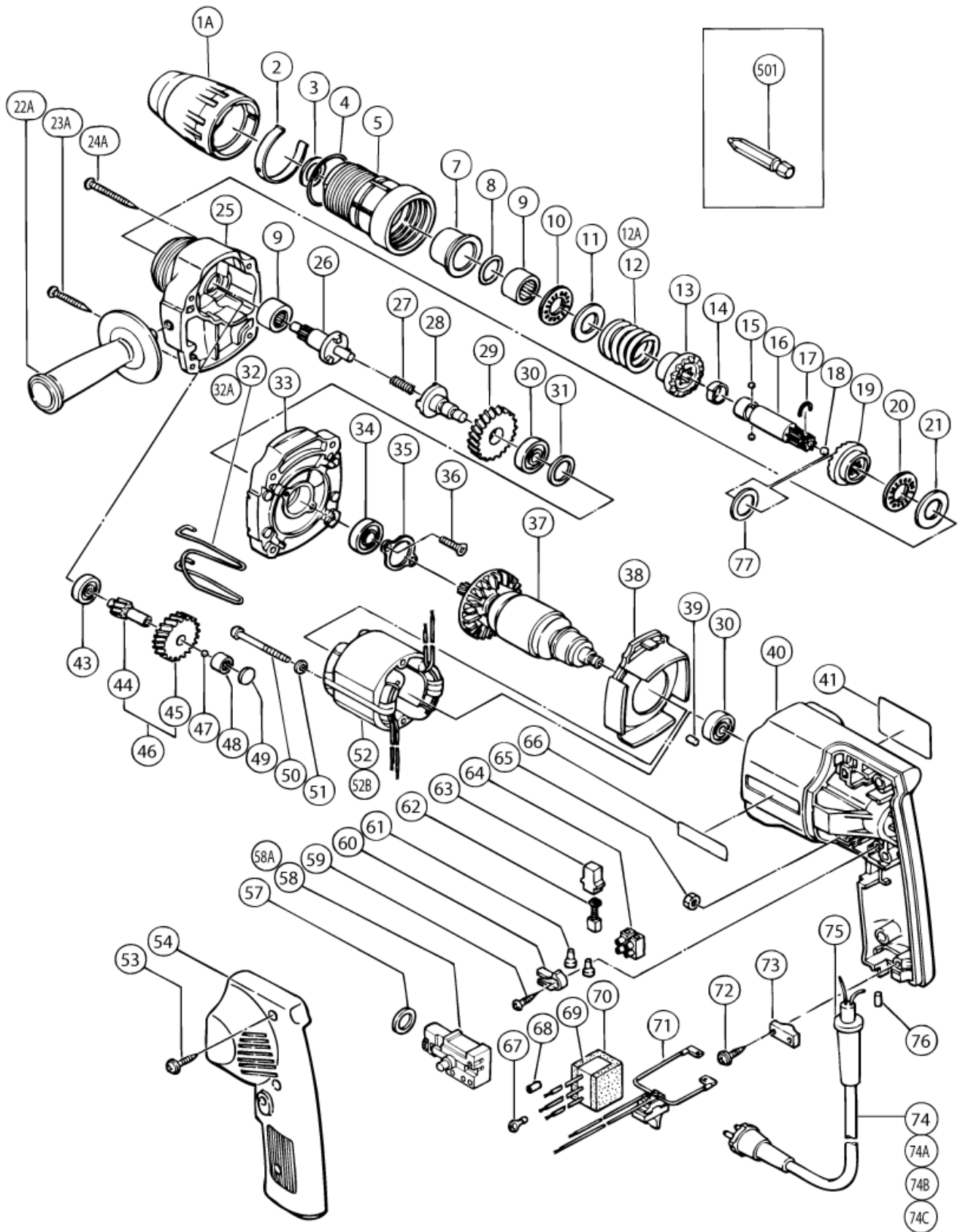


n°	Artikel	Aantal gebruikt
1A	993165 ADJUSTING RING ASS'Y	1
2	992668 CLICK RING	1
3	992669 WASHER	1
4	872767 O-RING (S-32)	1
5	992706 PROTECTION SLEEVE	1
7	992665 ADJUSTING SLEEVE ASS'Y	1
8	982564 O-RING (1AP-15)	1
9	993163 NEEDLE BEARING (M152112)	2
10	992704 THRUST NEEDLE BEARING	1
11	992664 THRUST WASHER	1
12	992703 ADJUSTING SPRING (E)	1
12A	992720 ADJUSTING SPRING (F)	1
13	992701 RATCHET (B)	1
14	872573 SET RING	1
15	959148 STEEL BALL D3.175 (10 PCS.)	2
16	992702 SPINDLE	1
17	992660 RETAINING RING	1
18	959150 STEEL BALL D6.35 (10 PCS.)	1
19	992700 RATCHET (A)	1
20	992697 THRUST NEEDLE BEARING (NTN K81103T2)	1
21	992699 THRUST WASHER	1
22A	994322 SIDE HANDLE	1
23A	931875 TAPPING SCREW D5X35	2
24A	955912 TAPPING SCREW D5X45	2
25	992709 GEAR COVER ASS'Y	1
25	992708 GEAR COVER ASS'Y	1
26	993160 CLUTCH (B)	1
27	992656 SPRING	1
28	992696 CLUTCH (A)	1
29	992719 FINAL GEAR	1
30	608VVM BALL BEARING 608VVC2PS2L	2
31	933545 WASHER (A)	1
32	950511 HOOK	1
32A	950551 HOOK MOLD	1
33	985310 INNER COVER	1
34	608DDM BALL BEARING 608DDC2PS2L	1
35	971659 BEARING HOLDER	1
36	990430 SEAL LOCK FLAT HD. SCREW M4X10	2
37	992707E ARMATURE 220V-230V	1

37	992707C	ARMATURE 110V-127V	1
37	992707F	ARMATURE 240V	1
38	971642	FAN GUIDE	1
39	946362	BEARING LOCK	1
40	981110	HOUSING	1
41		NAME PLATE	1
43	626VVM	BALL BEARING 626VVC2PS2L	1
44	992718	SECOND PINION	1
45	992717	FIRST GEAR	1
46	992716	SECOND PINION ASS'Y	1
47	959155	STEEL BALL D3.97 (10 PCS.)	1
48	670714	NEEDLE BEARING (HK0810)	1
49	992715	WASHER (C)	1
50	949278	MACHINE SCREW M4X55 (10 PCS.)	2
51	949453	SPRING WASHER M4 (10 PCS.)	2
52	985313G	STATOR 220V-230V	1
52	985313K	STATOR 110V	1
52	985313L	STATOR 220V	1
52	985313F	STATOR 240V	1
52B	985313J	STATOR 220V-230V	1
52	985313C	STATOR 110V-115V	1
52	985313E	STATOR 220V-230V	1
53	956636	TAPPING SCREW (W/WASHER) D4X25	3
54	981112	HANDLE COVER	1
57	971510	PACKING (A)	1
58A	307893	SWITCH 100V-127V (1P PILLAR TYPE) W/LOCK	1
58A	316257	SWITCH 220V-240V (2P PILLAR TYPE) W/LOCK	1
59	954004	TAPPING SCREW D4X16	2
60	971655	HOLDER PIECE	2
61	959140	CONNECTOR 50091 (10 PCS.)	2
62	999041	CARBON BRUSH (1 PAIR)	2
63	955203	BRUSH HOLDER	2
64	958308Z	PILLAR TERMINAL (A)	1
65	949554	NUT M4 (10 PCS.)	2
67	980063	TERMINAL	1
69	994273	NOISE SUPPRESSOR	1
70	930153	SUPPORT (B)	1
71	985315	REVERSING SWITCH	1
71	985316	REVERSING SWITCH	1
71	985317	REVERSING SWITCH	1
72	984750	TAPPING SCREW (W/FLANGE) D4X16	2

73	937631	CORD CLIP	1
74	500201Z	CORD	1
74B	500423Z	CORD	1
74	500248Z	CORD	1
74	500245Z	CORD	1
74C	500461Z	CORD	1
74	500439Z	CORD	1
74	500409Z	CORD	1
74	500247Z	CORD	1
74A	500436Z	CORD	1
74	500240Z	CORD	1
75	930487	CORD ARMOR D8.2	1
75	930026	CORD ARMOR D10.2	1
76	981373	TUBE (D)	2
77	993164	WASHER (E)	1
501	992671	+ DRIVER BIT (B) NO.2 50L	1
601	992670	+ DRIVER BIT (B) NO.1 50L	1
602	992672	+ DRIVER BIT (B) NO.3 50L	1
603	992673	+ DRIVER BIT (B) NO.1 50L W/STEPPED ROD	1
604	992674	+ DRIVER BIT (B) NO.2 50L W/STEPPED ROD	1
605	992675	- DRIVER BIT (B) 4MMX50	1
606	992676	- DRIVER BIT (B) 5MMX50	1
607	992677	- DRIVER BIT (B) 6MMX50	1
608	992678	- DRIVER BIT (B) 8MMX50	1
609	992679	- DRIVER BIT (B) 4MMX50 (W/STEPPED ROD)	1
610	992680	- DRIVER BIT (B) 5MMX50 (W/STEPPED ROD)	1
611	992681	HEX. BIT 3MMX25L	1
612	985342	HEX. BIT 4MMX25L	1
613	985343	HEX. BIT 5MMX25L	1
614	985344	HEX. BIT 6MMX25L	1
615	992682	HEX. BIT 8MMX25L	1
616	985330	MAGNETIC HEX. SOCKET 3/8"X65L	1
617	985322	MAGNETIC HEX. SOCKET 5/16"X65L	1
618	985332	MAGNETIC HEX. SOCKET 1/4"X65L	1
619	985321	MAGNETIC HEX. SOCKET 10MMX65L	1
620	992683	MAGNETIC HEX. SOCKET 7MMX65L	1
621	992684	MAGNETIC HEX. SOCKET 5.5MMX65L	1
622A	310904	CASE	1
624	985326	NON-MAGNETIC HEX. SOCKET 3/8" 65L	1
625	985327	NON-MAGNETIC HEX. SOCKET 5/16" 65L	1
626	985328	NON-MAGNETIC HEX. SOCKET 1/4" 65L	1

627	985329	NON-MAGNETIC HEX. SOCKET 10MM 65L	1
628	992689	NON-MAGNETIC HEX. SOCKET 7MM 65L	1
629	992688	NON-MAGNETIC HEX. SOCKET 5.5MM 65L	1
630	982554Z	MAGNETIC BIT HOLDER (75L)	1
631	982563Z	NON-MAGNETIC BIT HOLDER	1
632	985333	+ DRIVER BIT NO.1 25L	1
633	971511Z	+ DRIVER BIT (A) NO.2 25L	1
634	971512Z	+ DRIVER BIT (A) NO.3 25L	1
635	985334	+ DRIVER BIT NO.1 25L W/STEPPED ROD	1
636	985335	+ DRIVER BIT NO.2 25L W/STEPPED ROD	1
637	985336	- DRIVER BIT 4MMX25	1
638	985337	- DRIVER BIT 5MMX25	1
639	985338	- DRIVER BIT 6MMX25	1
640	985339	- DRIVER BIT 8MMX25	1
641	985340	- DRIVER BIT 4MMX25 (W/STEPPED ROD)	1
642	985341	- DRIVER BIT 5MMX25 (W/STEPPED ROD)	1
643	992690	BIT GUIDE FOR BIT HOLDER	1
645	992692	BIT GUIDE FOR HEX. SOCKET 5/16"	1
647	992694	BIT GUIDE FOR HEX. SOCKET 5.5MM	1



形名
W6VF