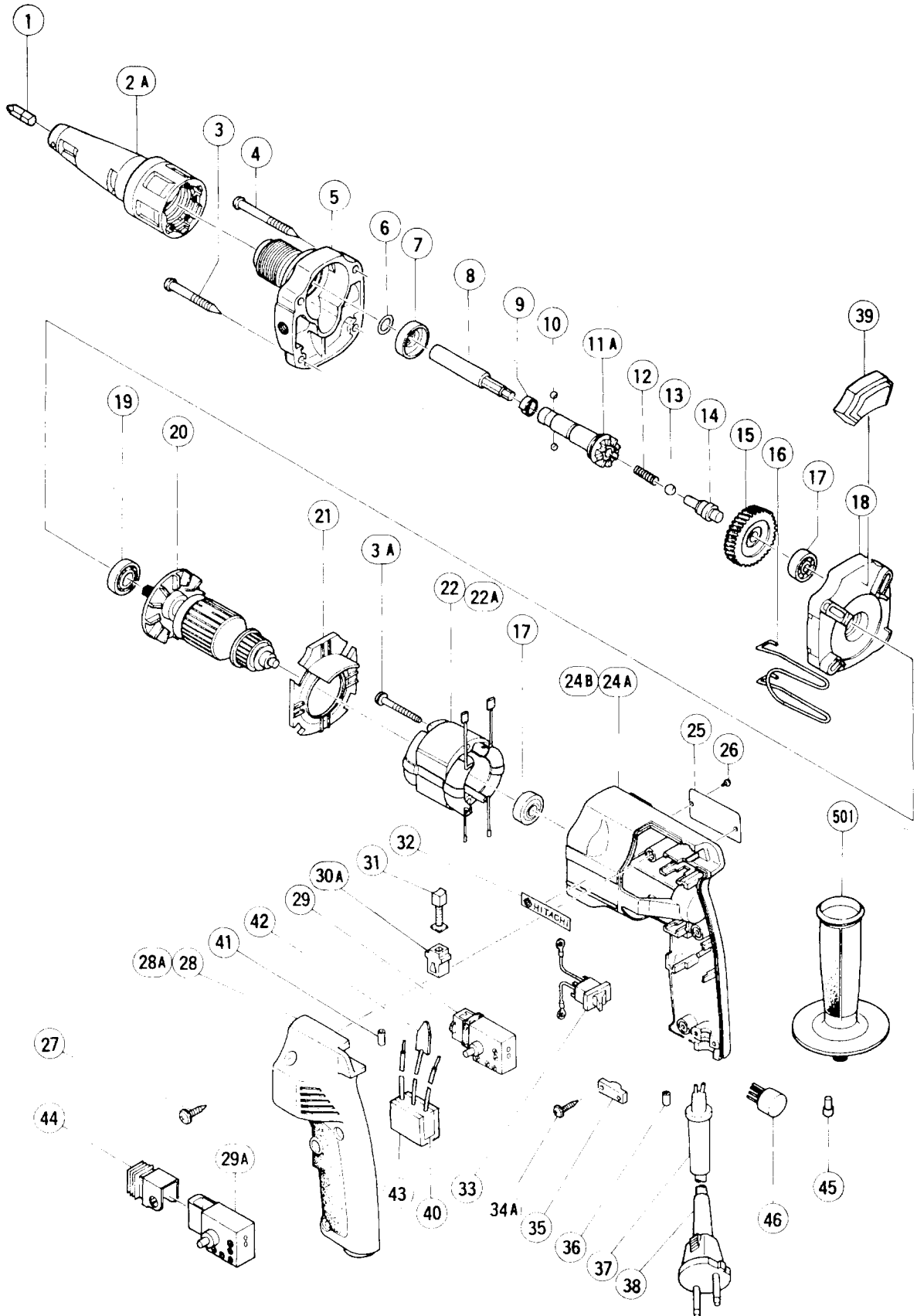


ELECTRIC TOOL PARTS LIST

■ SCREW DRIVER
Model W 6VA1

1990 · 12 · 21
(E5)



PARTS

W 6VA1

ITEM NO.	CODE NO.	DESCRIPTION	NO. USED	REMARKS	
1	971-511Z	+ DRIVER BIT (A) NO.2 25L	1		
2A	982-555Z	LOCATOR (A)	1		
3	950-514	TAPPING SCREW D4X40	2		
3A	992-630	TAPPING SCREW (W/SP. WASHER) D4X40	2		
4	950-515	TAPPING SCREW D4X50	2		
*	5	982-562Z	GEAR COVER ASS'Y	1	INCLUD.6
*	5	982-561	GEAR COVER ASS'Y	1	INCLUD.6 FOR USA,CAN
6	982-564	O - RING (1AP - 15)	1		
7	971-468	FRINGER (A)	1		
8	982-554Z	MAGNETIC BIT HOLDER	1		
9	872-573	SET RING	1		
10	959-148	STEEL BALL D3.175 (10 PCS.)	2		
11A	982-572	SOCKET (A)	1		
12	943-523	SPRING (A)	1		
13	959-154	STEEL BALL D5.558 (10 PCS.)	1		
14	982-552	GEAR SHAFT	1		
15	982-612	GEAR (B)	1		
16	950-511	HOOK	1		
17	608-VVM	BALL BEARING 608VVMC2EPS2L	2		
18	998-500	INNER COVER	1		
19	609-VVM	BALL BEARING 609VVMC2PS2S	1		
*	20	360-049G	ARMATURE 220V - 230V	1	
*	20	360-114H	ARMATURE 240V	1	
*	20	360-114J	ARMATURE 110V - 127V	1	
21	950-504	FAN GUIDE	1		
*	22	340-099C	STATOR 110V - 115V	1	
*	22	340-099D	STATOR 120V - 127V	1	
*	22	340-099E	STATOR 220V - 230V	1	FOR SUI
*	22	340-099F	STATOR 240V	1	
*	22	340-099G	STATOR 220V	1	FOR SWE,NOR,AUT,FIN
*	22	340-099H	STATOR 240V	1	FOR GBR
*	22	340-099J	STATOR 110V	1	FOR GBR
*	22	340-099K	STATOR 220V - 230V	1	
*	22	340-099L	STATOR 230V	1	FOR SAF
*	22	340-150G	STATOR (B) 220V	1	FOR ITA,DEN
*	22A	340-099M	STATOR 220V	1	FOR FRG,BEL,FRA,HOL
*	24A	991-880	HOUSING	1	(TILL 12.1987 FOR USA ONLY)
*	24B	995-360	HOUSING	1	SINCE 1.1988 FOR USA
25		NAME PLATE	1		
*	26	932-642	RIVET D2.5X2.8	2	FOR CAN
27	982-095	TAPPING SCREW (W/WASHER) D4X20	3		
*	28	991-885	HANDLE COVER	1	(TILL 12.1987 FOR USA ONLY)
*	28A	995-361	HANDLE COVER	1	SINCE 1.1988 FOR USA
*	29	985-347	SWITCH 100V - 127V (2P PILLAR TYPE) W/LOCK	1	(TILL 12.1987 FOR USA ONLY)
*	29	982-559Z	SWITCH 220V - 240V (2P PILLAR TYPE)	1	
*	29A	998-185	SWITCH (G) (2P PILLAR TYPE) W/LOCK	1	SINCE 1.1988 FOR USA
30A	930-483	BRUSH HOLDER	2		
*	31	999-041	CARBON BRUSH (1 PAIR)	2	
*	31	999-041	CARBON BRUSH (1 PAIR)	1	FOR USA,CAN
*	31	999-080	CARBON BRUSH (AUTO STOP TYPE) (1 PAIR)	1	FOR USA,CAN
32	950-565	HITACHI LABEL	1		

*: ALTERNATIVE PARTS

12 - 90

