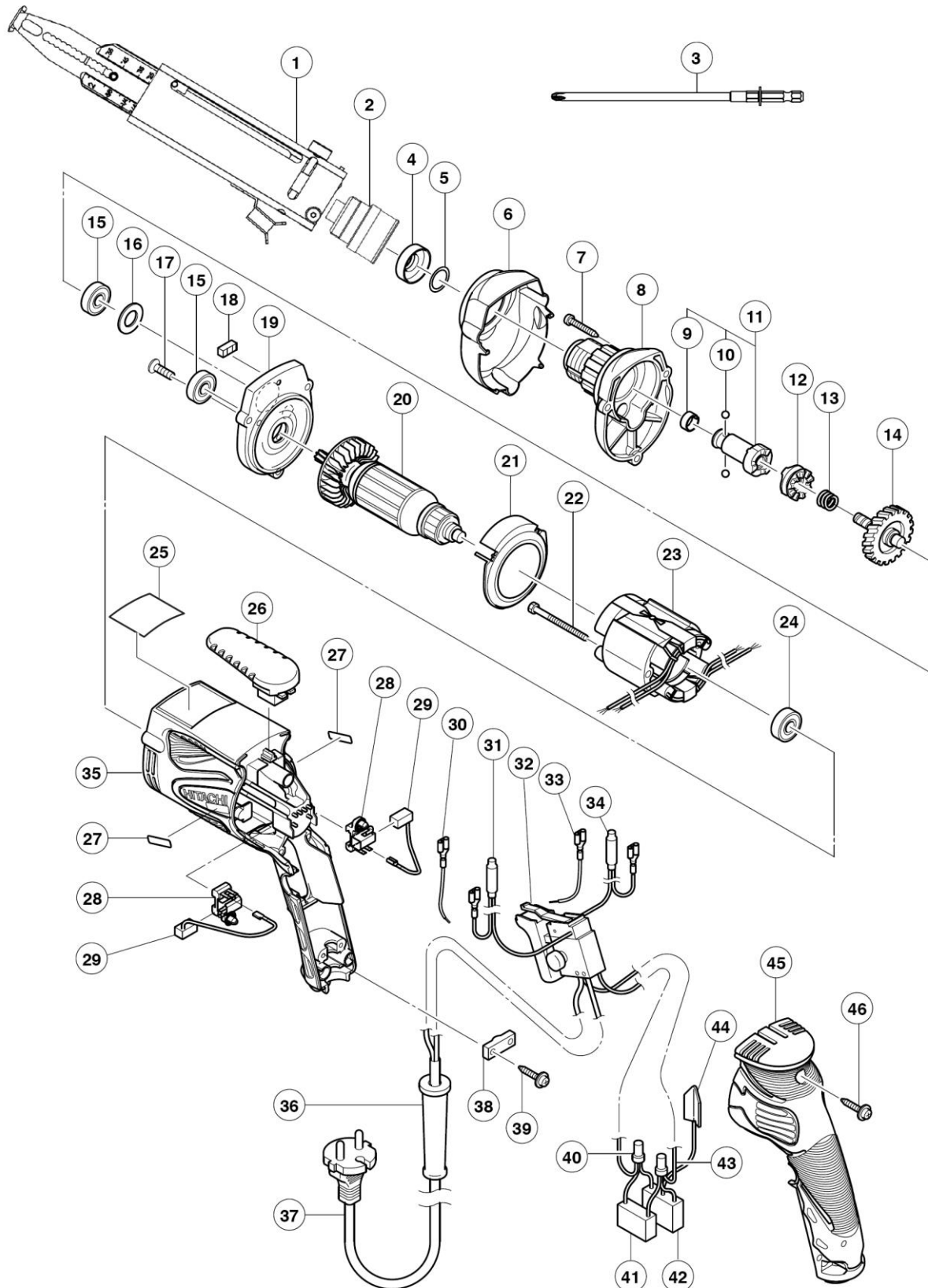


ELECTRIC TOOL PARTS LIST

■ SCREW DRIVER
Model W 6V4SD2

2015 • 12 • 14

(E1)



PARTS

W 6V4SD2

ITEM NO.	CODE NO.	DESCRIPTION	NO. USED	REMARKS
1	115-410	DRYWALL ATTACHMENT	1	
2	725-433	COUPLER, SUPERDRIVE TO DRILL	1	
3	115-411	155mm #2 PHILLIPS BIT	1	
4	971-468	FRINGER (A)	1	
5	317-662	O-RING (F)	1	
6	323-558	PROTECT COVER (A)	1	
7	321-057	TAPPING SCREW D4X25 (BLACK)	3	
8	323-486	GEAR COVER (A) ASS'Y	1	INCLUD. 5
9	872-573	SET RING	1	
10	959-148	STEEL BALL D3.175 (10 PCS.)	2	
* 11	323-491	SOCKET (A) ASS'Y	1	INCLUD. 9, 10
* 11	323-482	SOCKET (A) ASS'Y	1	INCLUD. 9, 10 FOR TPE, THA, HKG, KOR
12	323-476	CLUTCH DISC	1	
13	306-024	SPRING	1	
14	323-485	GEAR SET	1	
15	608-VVM	BALL BEARING 608VVC2PS2L	2	
16	933-545	WASHER (A)	1	
17	323-556	SLOTTED HD. SCREW (SEAL LOCK) M4X8	2	
18	323-557	FELT (A)	1	
19	323-473	INNER COVER ASS'Y (A)	1	INCLUD. 15-18
* 20	360-672	ARMATURE (A) 110V	1	
* 20	360-673U	ARMATURE ASS'Y (A) 120V	1	INCLUD. 15, 24
* 20	360-673E	ARMATURE (A) 220V-230V	1	
* 20	360-673F	ARMATURE (A) 240V	1	
21	323-472	FAN GUIDE	1	
22	961-672	HEX. HD. TAPPING SCREW D4X50	2	
* 23	340-599C	STATOR 110V-120V	1	
* 23	340-599E	STATOR 220V-240V	1	
24	608-VVM	BALL BEARING 608VVC2PS2L	1	
25		NAME PLATE	1	
26	323-471	HOOK	1	
27		HITACHI LABEL	2	
28	323-512	BRUSH HOLDER (A)	2	
29	999-091	CARBON BRUSH (AUTO STOP TYPE) (1 PAIR)	2	
* 30	323-489	INTERNAL WIRE (BROWN)	1	FOR THA, HKG, KUW, USA, CAN
* 31	323-480	CHOKE COIL (W/INTERNAL WIRE) BROWN	1	EXCEPT FOR THA, HKG, KUW, USA, CAN
32	323-479	SWITCH (1P PILLAR TYPE) W/LOCK	1	
* 33	323-490	INTERNAL WIRE (BLUE)	1	FOR THA, HKG, KUW, USA, CAN
* 34	323-481	CHOKE COIL (W/INTERNAL WIRE) BLUE	1	EXCEPT FOR THA, HKG, KUW, USA, CAN
35	323-483	HOUSING	1	
36	953-327	CORD ARMOR D8.8	1	
* 37	323-559	CORD (LENGTH 7.5M)	1	(CORD ARMOR D8.8)
* 37	500-468Z	CORD	1	(CORD ARMOR D8.8) FOR THA
* 37	500-423Z	CORD	1	(CORD ARMOR D8.8) FOR KUW
* 37	320-130	CORD (LENGTH 7.5M)	1	(CORD ARMOR D8.8) FOR USA, CAN
* 37	500-435Z	CORD	1	(CORD ARMOR D8.8) FOR HKG
* 37	500-409Z	CORD	1	(CORD ARMOR D8.8) FOR KOR
* 37	500-470Z	CORD	1	(CORD ARMOR D8.8) FOR TPE
* 37	323-561	CORD (LENGTH 7.5M)	1	(CORD ARMOR D8.8) FOR AUS
* 37	323-562	CORD (LENGTH 7.5M)	1	(CORD ARMOR D8.8) FOR GBR (110V)
* 37	323-560	CORD (LENGTH 7.5M)	1	(CORD ARMOR D8.8) FOR GBR (230V)