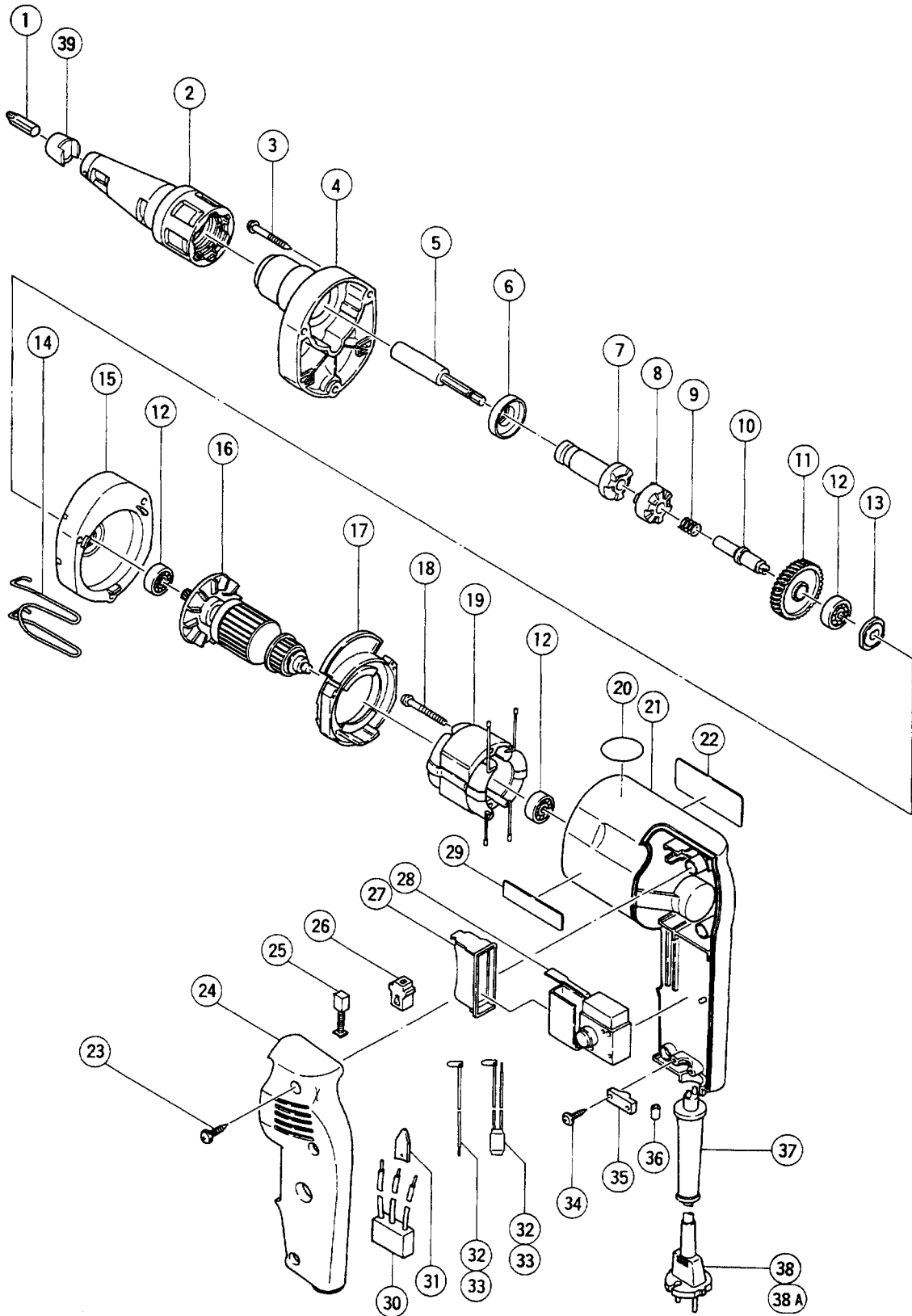


ELECTRIC TOOL PARTS LIST

■ SCREW DRIVER
Model W 6V2

1993 · 5 · 31
(E2)



PARTS

W 6V2

ITEM NO.	CODE NO.	DESCRIPTION	NO. USED	REMARKS	
1	971-511Z	+ DRIVER BIT (A) NO.2 25L	1		
2	982-555Z	LOCATOR (A)	1		
3	303-694	TAPPING SCREW (W/FLANGE) D4X35	3		
4	303-693	GEAR COVER	1		
5	982-554Z	MAGNETIC BIT HOLDER	1		
6	971-468	FRINGER (A)	1		
7	303-692	SOCKET	1		
8	303-691	CLUTCH DISC	1		
9	303-690	SPRING	1		
10	303-689	GEAR SHAFT	1		
11	303-688	GEAR (A)	1		
12	608-VVM	BALL BEARING 608VVMC2EPS2L	3		
13	303-687	WASHER (A)	1		
14	950-511	HOOK	1		
15	303-686	INNER COVER	1		
*	16	380-210U	ARMATURE ASS'Y 110V - 127V	1	INCLUD.12
*	16	380-210E	ARMATURE 220V - 230V	1	
*	16	380-210F	ARMATURE 240V	1	
*	16	380-209	ARMATURE 100V	1	FOR KOR
17	303-685	FAN GUIDE	1		
18	992-631	TAPPING SCREW (W/SP. WASHER) D4X50	2		
*	19	340-224J	STATOR 110V - 115V	1	
*	19	340-224D	STATOR 120V - 127V	1	
*	19	340-224G	STATOR 220V - 230V	1	
*	19	340-224H	STATOR 240V	1	
*	19	340-223	STATOR 100V	1	FOR KOR
*	20		MARK PLATE	1	FOR SWE
21	303-684	HOUSING	1		
22		NAME PLATE	1		
23	301-653	TAPPING SCREW (W/FLANGE) D4X20	3		
24	303-695	HANDLE COVER	1		
*	25	999-041	CARBON BRUSH (1 PAIR)	2	
*	25	999-080	CARBON BRUSH (AUTO STOP TYPE) (1 PAIR)	2	FOR USA
26	930-483	BRUSH HOLDER	2		
27	303-696	SWITCH RUBBER COVER	1		
*	28	303-697	SWITCH (J) (2P PILLAR TYPE) W/LOCK	1	100V - 127V
*	28	303-698	SWITCH (K) (2P PILLAR TYPE) W/LOCK	1	220V - 240V
29		HITACHI LABEL	1		
*	30	994-273	NOISE SUPPRESSOR	1	FOR GBR,ITA,FRG,FRA,HOL,SUI,DEN,FIN, SWE,NOR,KOR
*	31	992-635	EARTH TERMINAL	1	FOR NOISE SUPPRESSOR
*	32	303-699	INTERNAL WIRE CHOKE COIL	1	
*	32	303-700	INTERNAL WIRE CHOKE COIL	1	FOR GBR,ITA,FRG,FRA,HOL,DEN,FIN,SWE, NOR,KOR
*	32	305-196	INTERNAL WIRE CHOKE COIL	1	FOR SUI
*	33	303-701	INTERNAL WIRE CHOKE COIL	1	
*	33	303-702	INTERNAL WIRE CHOKE COIL	1	FOR GBR,ITA,FRG,FRA,HOL,DEN,FIN,SWE, NOR,SUI,KOR
34	984-750	TAPPING SCREW (W/FLANGE) D4X16	2		
35	937-631	CORD CLIP	1		
*	36	981-373	TUBE (D)	2	FOR CORD

*: ALTERNATIVE PARTS

