



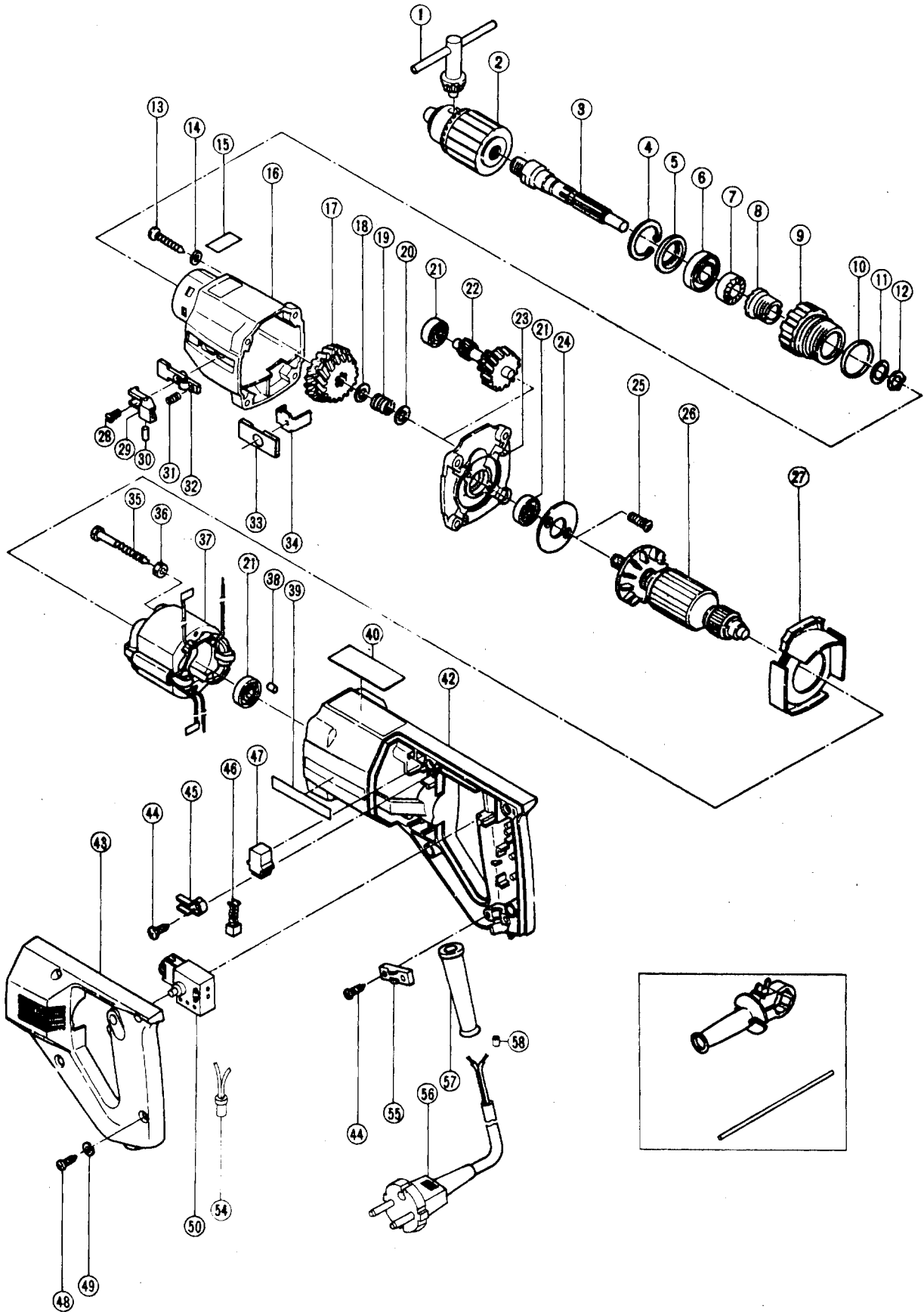
# ELECTRIC TOOL PARTS LIST

■ ELECTRIC HAMMER DRILL

1981·12·20

Type VTV-13A □

VTV-13A(A1)



## PARTS (Prices are subject to change without notice)

VTV-13A(A1)

Item No.	Code No.	Parts Name	Q'ty	Remarks	LIST PRICE US\$
1	930515	Chuck Wrench Ass'y	1		1.80
2	950272	Drill Chuck Ass'y 13VLA	1	includ. 1	29.90
3	980191	Spindle	1		7.20
4	948001	C-Type Retaining Ring	1	for D32 hole	0.50
5	971654	Dust Seal	1		0.90
6	971673	Ball Bearing (6002DDCM)	1		2.60
7	971648	Ratchet (B)	1		3.20
8	971646	Ratchet (A)	1		3.20
9	971645	Change Ring	1		6.10
10	872767	O-Ring	1		0.50
11	980194	Washer	1		0.40
12	879059Z	C-Type Retaining Ring	1	for D12 hole (10 pcs.)	0.90
13	931875	⊕Hd. Tapping Screw M5 x 35	4		0.20
14	949454Z	Spring Lock Washer	4	for M5 (10 pcs.)	0.40
15	971661	Label	1		0.40
16	971644	Gear Cover	1		9.90
17	980172	Gear Ass'y	1		6.10
18	953038	Washer	1		0.20
19	971656	Spring	1		0.40
20	971657	Washer	1		0.40
21	939396	Ball Bearing (608ZZC2)	3		2.30
22	971649	Second Pinion Ass'y	1		11.50
23	971664	Inner Cover Ass'y	1		7.40
24	971659	Bearing Holder	1		0.40
25	949322Z	⊕Flat Hd. Screw M4 x 10	2	(10 pcs.)	0.40
26	971666C	Armature Ass'y 115V	1		33.30
27	971642	Fan Guide	1		0.40
28	949323Z	⊕Flat Hd. Screw M4 x 12	1	(10 pcs.)	0.40
29	971653	Shift Lock	1		0.50
30	949535Z	Roll Pin D3 x 12	1	(10 pcs.)	0.40
31	943053	Spring (B)	1		0.40
32	971652	Shift Plate	1		0.70
33	971672	Seal Plate Ass'y	1		0.70
34	971651	Shift Arm	1		0.40
35	981421	Tapping Screw M4 x 55	2		0.40
36	960107	Special Washer	2		0.40
37	971665V	Stator Ass'y 115V	1		10.90
38	946362	Bearing Lock	1		0.20
39	957561	HITACHI Label	1		0.20
40	—	Name Plate	1		—
42	981490Z	Housing	1		11.50
43	981491Z	Handle Cover	1		5.90
44	954004	⊕Hd. Tapping Screw M4 x 16	4		0.20
45	971655	Holder Piece	2		0.40
46	999041	Carbon Brush	2		1.50
47	955203	Brush Holder	2		1.20
48	956384	⊕Hd. Tapping Screw M4 x 20	4		0.20
49	949423Z	Washer	4	for M4 (10 pcs.)	0.40
50	982587Z	Switch 986114	1		39.00
54	939310Z	Connector	1	(10 pcs.)	0.70
55	960266	Cord Clip	1		0.40
56	500240Z	Cord Ass'y	1		6.10
57	953327	Cord Armor	1		0.40



