



BOSCH

Air Pump

UniversalPump 18V | 3 603 J47 180

Table of Content

Spare parts list.....	2
Illustration - Type.....	3

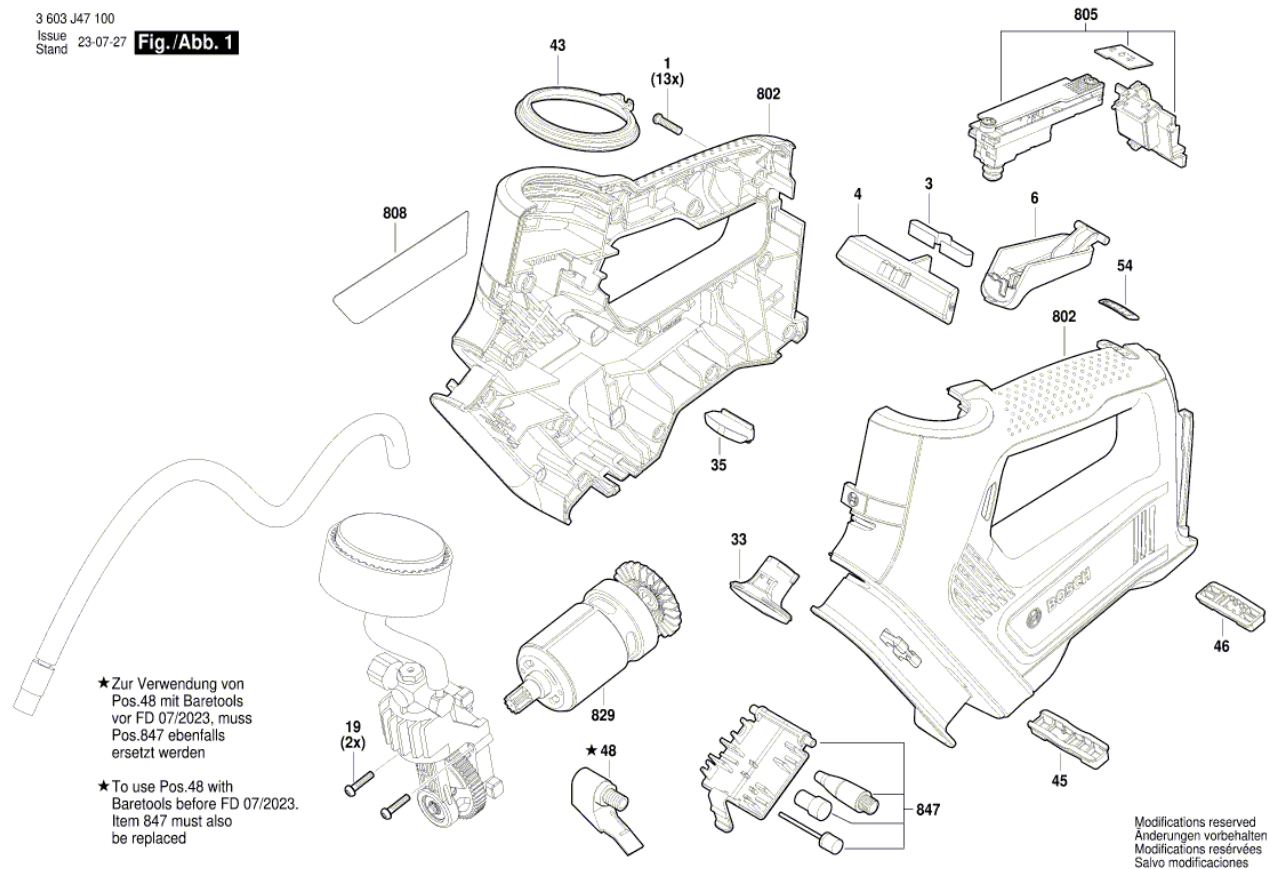
Spare parts list

Item	Part Number	Description	Illustration	Price	Quantity	Price Group
1	1 619 PB7 488	Self-Cutting Screw	1	-	13	
3	1 619 PB7 510	Spring Leaf	1	-	1	
4	1 619 PB7 127	Locking part	1	-	1	
6	1 619 PB7 129	Trigger	1	-	1	
19	1 619 PB7 497	Screw	1	-	2	
33	1 619 PB7 130	Housing cover unit	1	-	1	
35	1 619 PB7 128	lamp house cover	1	-	1	
43	1 619 PB7 135	Control light ring	1	-	1	
45	1 619 PB7 136	Rubber part	1	-	1	
46	1 619 PB7 137	Rubber part	1	-	1	
48	1 619 P03 974	Adapter	1	-	1	
54	1 619 PB7 508	Sticker	1	-	1	
802	1 619 PB7 715	Housing Set	1	-	1	
805	2 607 202 531	Switch	1	-	1	
808	1 619 PB9 181	Nameplate	1	-	1	
829	1 619 PB7 663	Motor assembly	1	-	1	
847	1 619 P03 979	Accessory Set	1	-	1	

* Prices shown are suggested retail prices

Illustration - Type - E

3 603 J47 100
 Issue
 Stand 23-07-27 **Fig./Abb. 1**



★ Zur Verwendung von Pos.48 mit Baretools vor FD 07/2023, muss Pos.847 ebenfalls ersetzt werden

★ To use Pos.48 with Baretools before FD 07/2023. Item 847 must also be replaced

Modifications reserved
 Änderungen vorbehalten
 Modifications réservées
 Salvo modificaciones