

RYOBI CURVED SHAFT TRIMMER - MODEL NO. UT70003

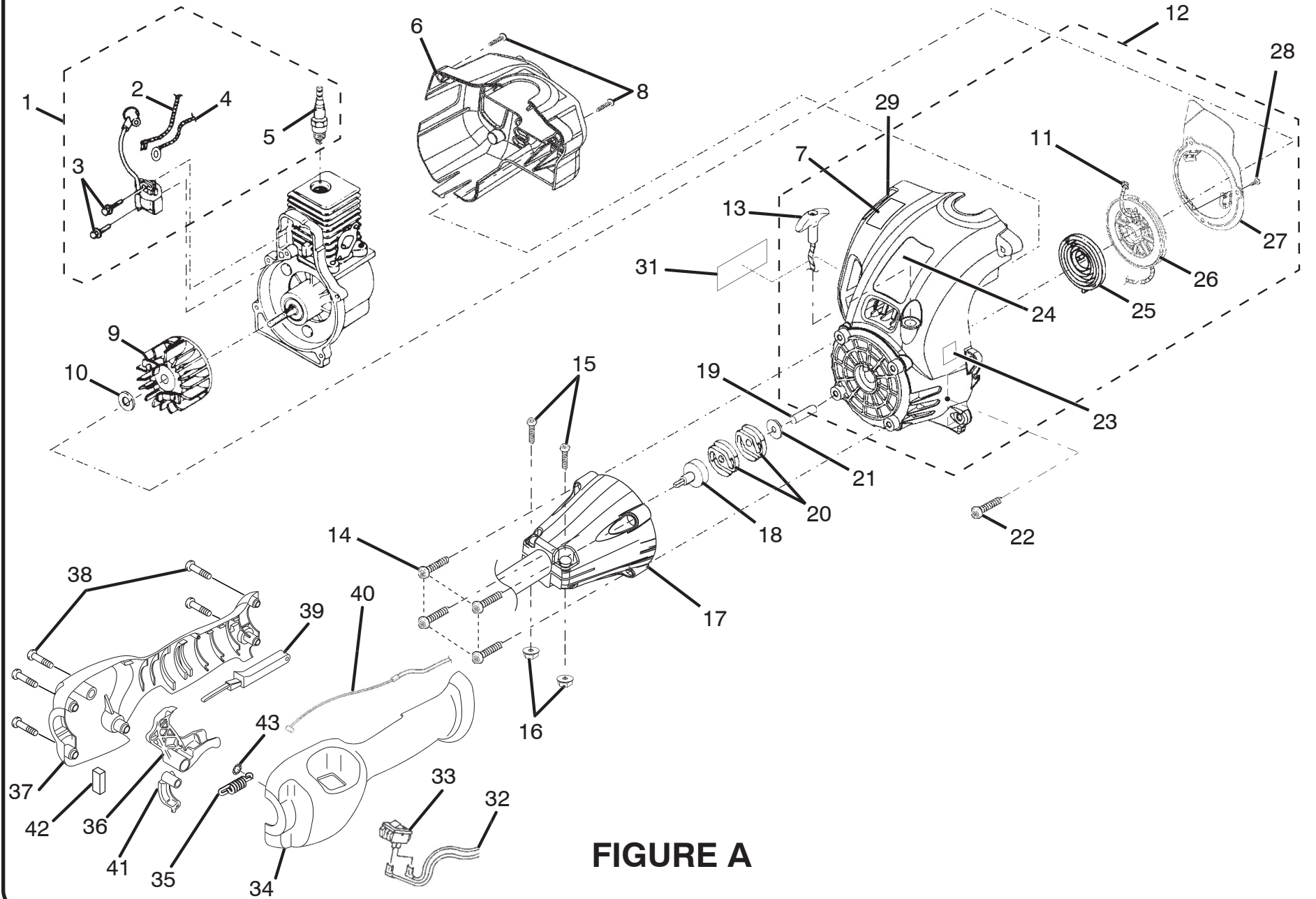


FIGURE A

RYOBI CURVED SHAFT TRIMMER - MODEL NO. UT70003

The model number will be found on a plate attached to the engine housing. Always mention the model number in all correspondence regarding your **STRING TRIMMER** or when ordering repair parts.

PARTS LIST FOR FIGURE A

NO.	KEY NUMBER	PART DESCRIPTION	QTY.	NO.	KEY NUMBER	PART DESCRIPTION	QTY.
1	984520001	IGNITION KIT.....	1	23	PS06141	DECAL, NOISE.....	1
2	A06963	ELECTRICAL LEAD.....	1	24	PS06139	DECAL, MODEL.....	1
3	82540	SCREW.....	2	25	A98773A	SPRING & CONTAINER.....	1
4	A06964	ELECTRICAL LEAD.....	1	26	98770A	STARTER PULLEY.....	1
5	PS02227	SPARK PLUG.....	1	27	PS06339	AIR BAFFLE PLATE.....	1
6	PS01127	REAR COVER.....	1	28	82543	SCREW.....	3
7	PS06138	DECAL, POWERFUL 25cc.....	1	29	PA01641	STARTER HOUSING & EYELET.....	1
8	82537	SCREW (10-14 x 7/8).....	2	30	03646	TORX WRENCH (NOT SHOWN).....	1
9	984521001	ROTOR AND PAWL ASSEMBLY.....	1	31	PS06150	DECAL, FUEL RATIO MIXTURE.....	1
10	PS05268	WASHER.....	1	32	PA00387	ASSEMBLY, LEAD ELEC.....	1
11	9789902	STARTER ROPE 42 in.....	1	33	PS02764	SWITCH, MOMENTARY.....	1
12	984547001	STARTER ASSEMBLY.....	1	34	PS04073	GRIP, TEXTURED LH.....	1
13	PS06114	ERGO GRIP.....	1	35	PS04227	SPRING, EXT.....	1
14	82563	SCREW.....	4	36	PS04077	TRIGGER.....	1
15	82556	SCREW.....	2	37	PS04074	GRIP, TEXTURED RH.....	1
16	81208	NUT.....	2	38	82536	SCREW,THREAD FORM.....	5
17	PS06155	NOSE CONE ADAPTER.....	1	39	PS04075	LOCKOUT.....	1
18	PA01613	DRUM & CONNECTOR.....	1	40	PS04162	THROTTLE CABLE.....	1
19	PS05267	SPACER.....	1	41	PS04076	CABLE ARM.....	1
20	00242	CLUTCH DISK (ST185 & ST385).....	2	42	PS04876	RUBBER INSERT.....	4
21	98929A	WASHER.....	1	43	83024	WASHER,LOCK(#6).....	1
22	82538	SCREW.....	4				

RYOBI CURVED SHAFT TRIMMER - MODEL NO. UT70003

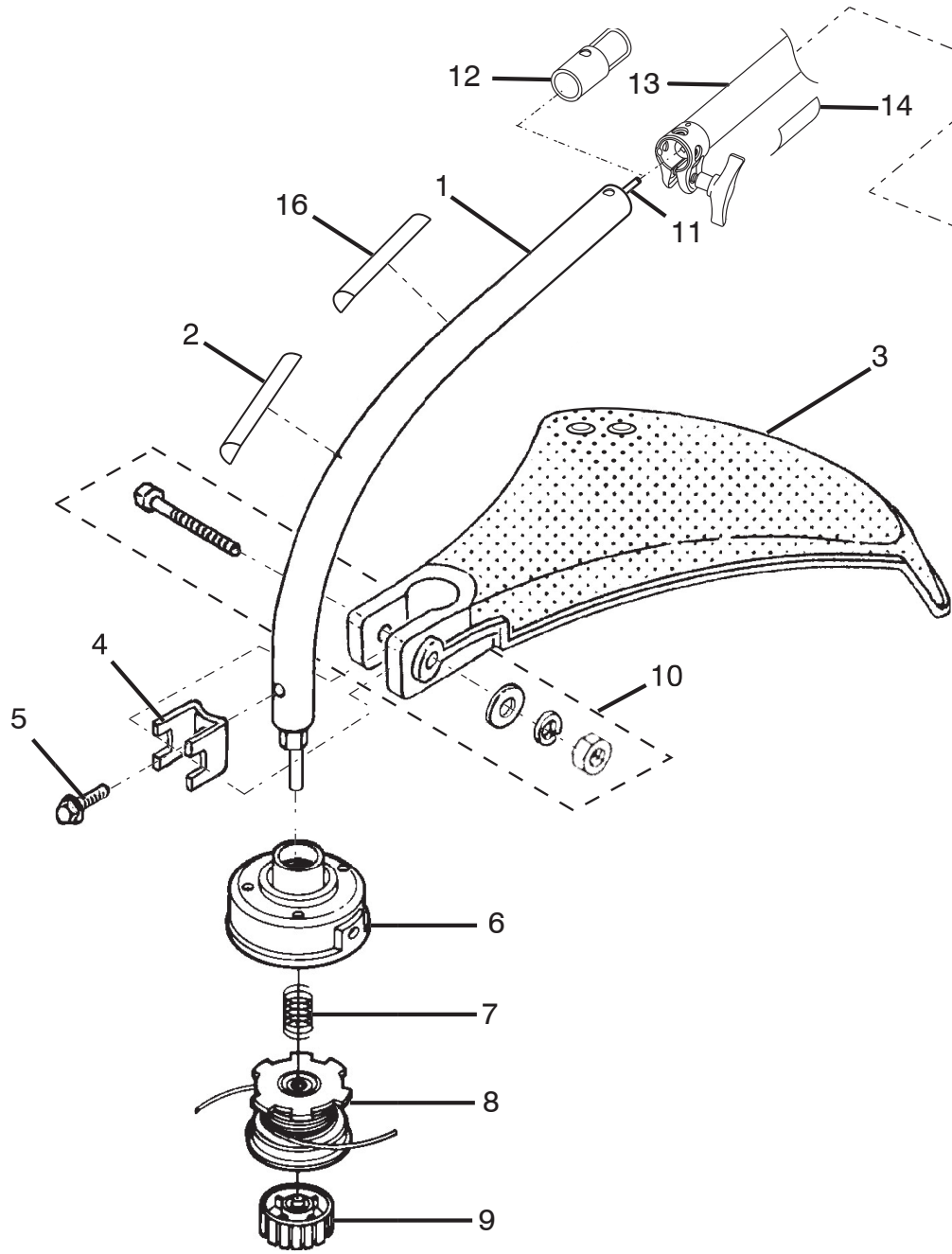


FIGURE B

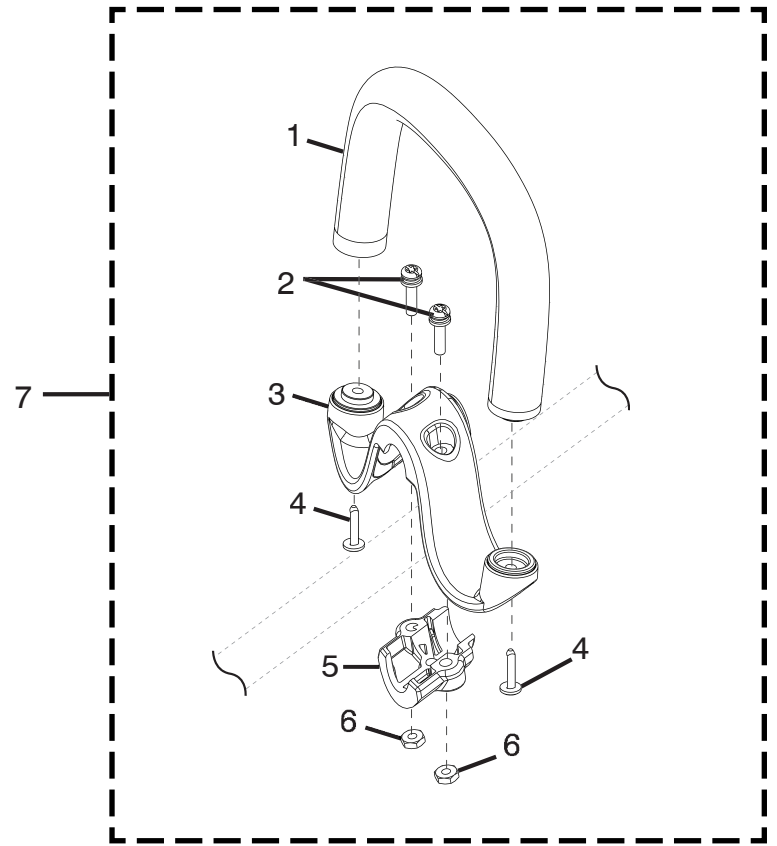


FIGURE C

RYOBI CURVED SHAFT TRIMMER - MODEL NO. UT70003

The model number will be found on a plate attached to the motor housing. Always mention the model number in all correspondence regarding your **STRING TRIMMER** or when ordering repair parts.

PARTS LIST FOR FIGURE B

KEY NO.	PART NUMBER	DESCRIPTION	QTY.
1	984693001	LOWER DRV. SHAFT HOUSING & DECAL..1	
2	PS02750	BOOM DECAL (WARNING)1	
3	PA01014	GRASS DEFLECTOR.....1	
4	07928	CLAMP.....1	
5	983823001	SCREW.....1	
6	A98231A	HOUSING AND EYELETS.....1	
7	06713	COMPRESSION SPRING1	
8	PA01347A	SPOOL W/LINE (.80 in.)1	
9	A98866A	SPOOL RETAINER (RH/THREAD).....1	
10	PA00249	FASTENER PARTS KIT1	
11	A07673	FLEX SHAFT1	
12	PS02155	END CAP STORAGE.....1	
13	984692001	UPPER DRV. SHAFT ASSY. & DECAL1	
14	PS04267	LABEL, UPPER BOOM WARNING1	
15	PS05266	SPRING, COMPRESSION1	
16	PS06153	DECAL, RYOBI LAWN HORNET1	

PARTS LIST FOR FIGURE C

KEY NO.	PART NUMBER	DESCRIPTION	QTY.
1	984439001	ASSIST HANDLE W/GRIP 1	
2	PS04159	SCREW (12-24 x 1 SEMS)..... 2	
3	PS04070	M CLAMP 1	
4	82620	SCREW 2	
5	PS04072	CLAMP 1	
6	81068	HEX NUT (12-14) 2	
7	983798001	ASSIST HANDLE ASSEMBLY..... 1	

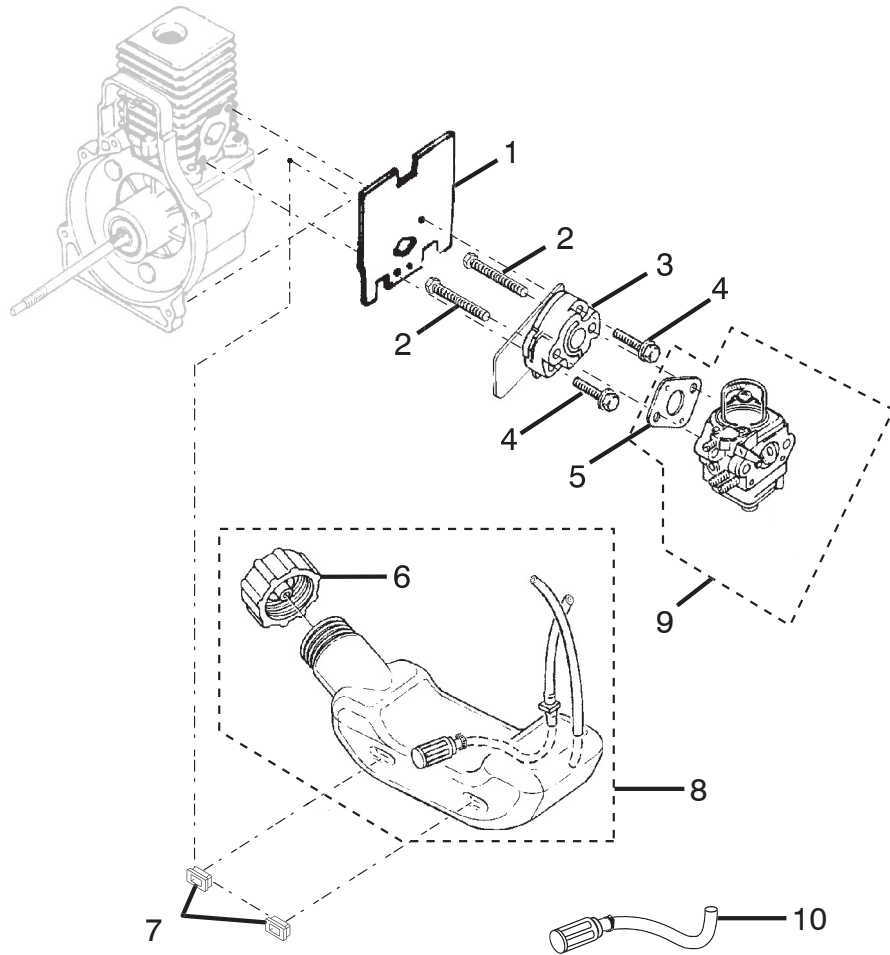


FIGURE D

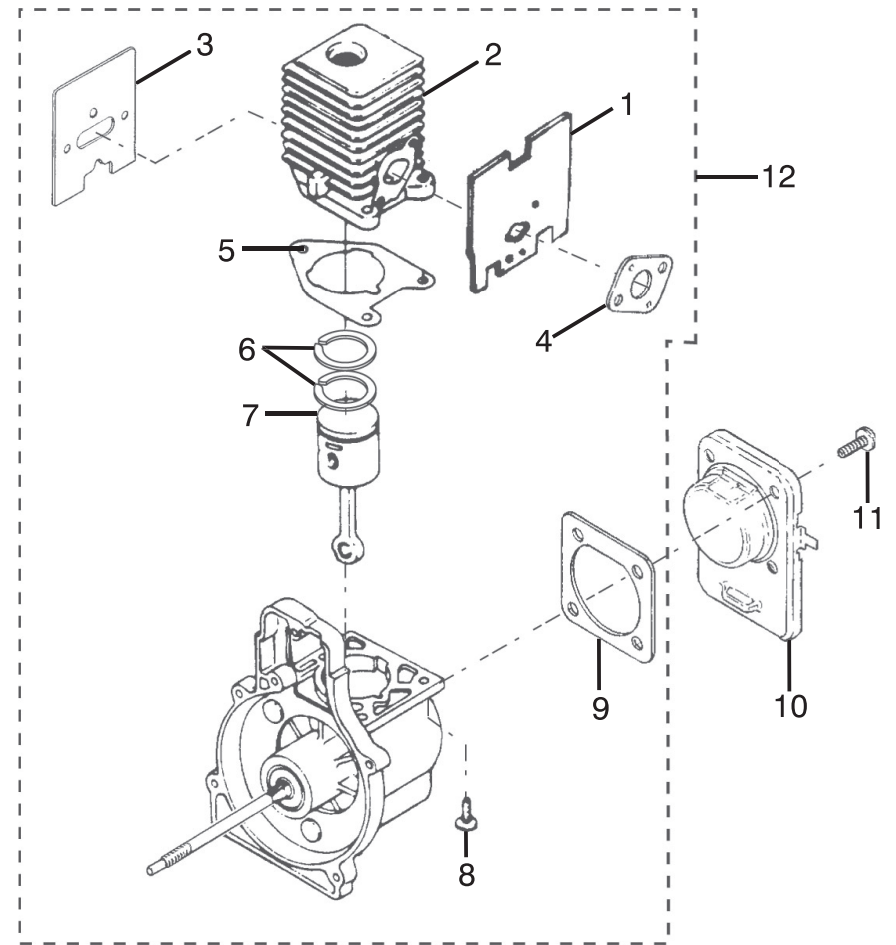


FIGURE E

RYOBI CURVED SHAFT TRIMMER - MODEL NO. UT70003

The model number will be found on a plate attached to the motor housing. Always mention the model number in all correspondence regarding your **STRING TRIMMER** or when ordering repair parts.

PARTS LIST FOR FIGURE D

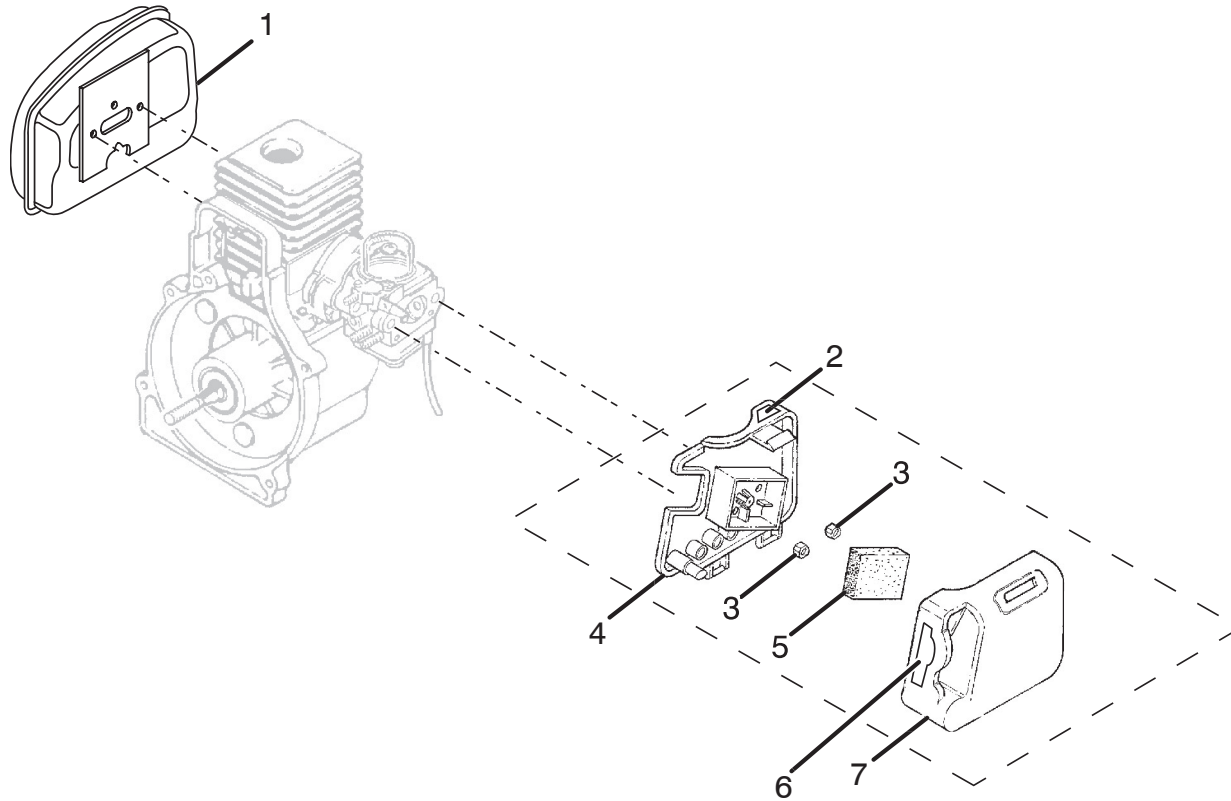
PARTS LIST FOR FIGURE E

KEY NO.	PART NUMBER	DESCRIPTION	QTY.
1	06900A	HEAT DAM GASKET	1
2	04474	CARBURETOR BOLT	2
3	98768A	HEAT DAM	1
4	093221	PAN HEAD SEMS SCREW	2
5	98766A	CARBURETOR GASKET	1
6	A09116	FUEL CAP	1
7	98792	BUMPER	3
8	984691001	* FUEL TANK ASSEMBLY	1
9	984549001	CARBURETOR ASSEMBLY KIT	1
10	985077001	FUEL FILTER KIT	1
		(INCLUDED ON FUEL TANK ASSEMBLY)	

KEY NO.	PART NUMBER	DESCRIPTION	QTY.
1	06900A	HEAT DAM GASKET	1
2	PS02128	CYLINDER	1
3	PS04000	MUFFLER GASKET	1
4	98766A	CARBURETOR GASKET	1
5	04388B	CYLINDER GASKET	1
6	PS03498	PISTON RING (1-5/16 in.)	2
7	984543001	PISTON ASSEMBLY KIT	1
8	PS02807	SCREW (12-24 x .660 PAN TORX)	3
9	06443A	GASKET COVER, C/C	1
10	PS02130	CRANKCASE COVER	1
11	PS01565	PAN HEAD SCREW	4
12	984546001	SHORT BLOCK ASSEMBLY	1

* WHEN ORDERING FUEL TANK ASSEMBLY (ITEM NUMBER 8), ALSO ORDER BUMPERS (ITEM NUMBER 7)

RYOBI CURVED SHAFT TRIMMER - MODEL NO. UT70003



PARTS LIST

KEY NO.	PART NUMBER	DESCRIPTION	QTY.
1	PA01073	MUFFLER ASSEMBLY.....	1
2	PS02112	PRIMER DECAL.....	1
3	81208	LOCK NUT (10-24).....	2
4	PS02113	BOX AIR FILTER (CONEHEAD).....	1
5	98760	AIR FILTER.....	1
6	PS02429	CHOKE DECAL.....	1
7	PS02309	AIR BOX COVER.....	1
8	06502	SPARK SCREEN (NOT SHOWN).....	1
	PS06147	OPERATOR'S MANUAL.....	1
	983000-370R	REPAIR SHEET.....	1
	10-10-03		