

RYOBI CURVED SHAFT TRIMMER – MODEL NO. UT70001A

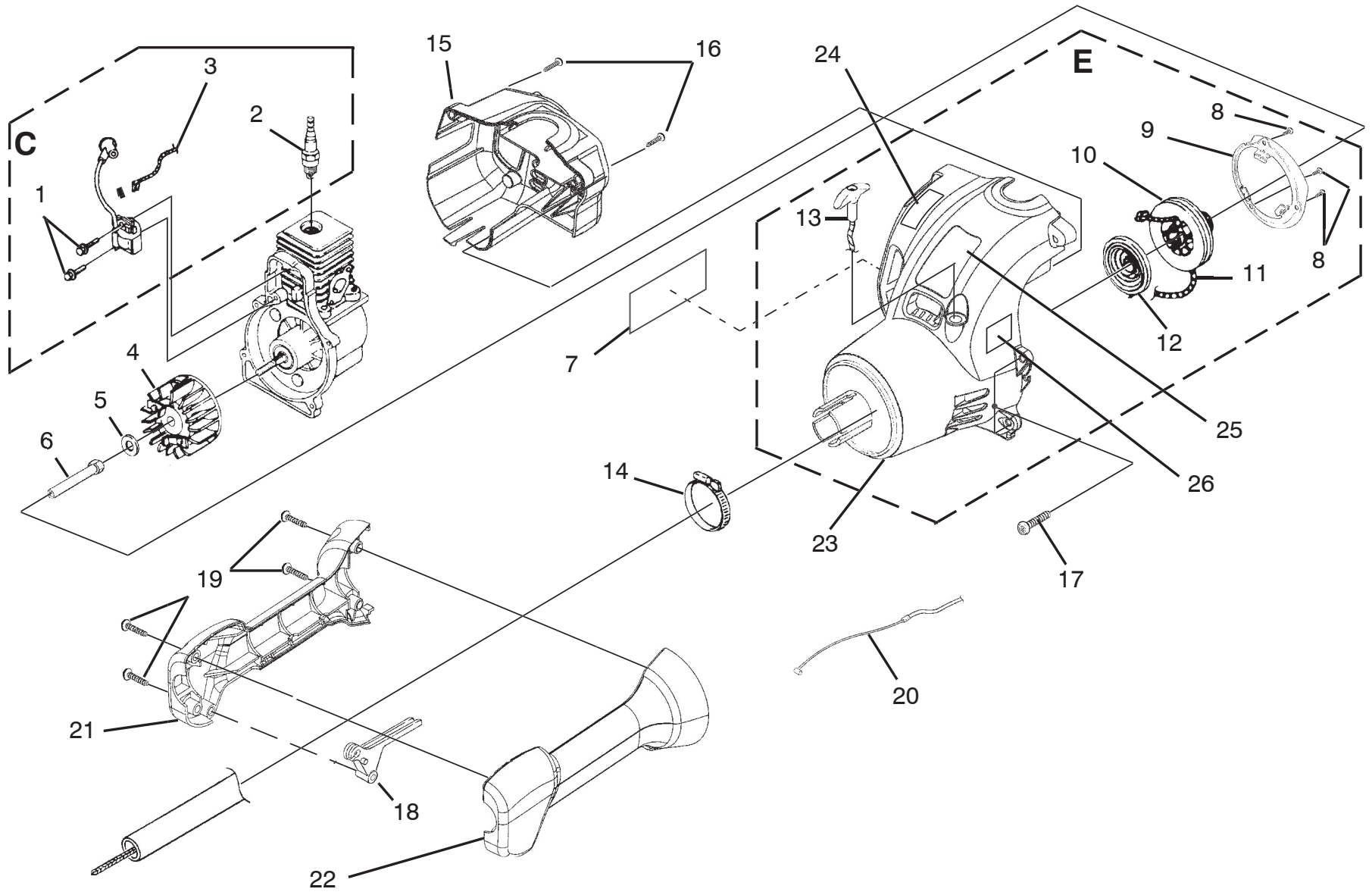


FIGURE A

RYOBI CURVED SHAFT TRIMMER – MODEL NO. UT70001A

The model number will be found on a plate attached to the engine housing. Always mention the model number in all correspondence regarding your **STRING TRIMMER** or when ordering repair parts.

PARTS LIST FOR FIGURE A

KEY NO.	PART NUMBER	DESCRIPTION	QTY.	KEY NO.	PART NUMBER	DESCRIPTION	QTY.
C	985122001	IGNITION KIT	1	23	PA01640	HOUSING-Starter and Eyelet	1
1	82540	SCREW-Taptite (8-32 X 1")	2	24	PS06138	DECAL-POWERFUL (25 cc)	1
2	PS02227	SPARK PLUG	1	25	PS06139	DECAL-MODEL	1
3	A07238	LEAD-Electrical	1	26	PS06141	DECAL-NOISE	1
4	984521001	ROTOR ASSY.....	1	27	03646	T25 TORX Wrench (Not Shown).....	1
5	PS84065	WASHER-Flat	1				
6	98795A	CONNECTOR-Drive (.250)	1				
7	PS06150	DECAL-FUEL RATIO MIXTURE	1				
E	984523001	COMPLETE STARTER ASSY	1				
8	82543	SCREW-Taptite (8-16 X 1/2")	3				
9	PS02040	BAFFLE-Air	1				
10	PS01122	PULLEY-Starter	1				
11	9789902	ROPE-Starter (42")	1				
12	A98773A	SPRING & CONTAINER	1				
13	5946702	GRIP-Starter.....	1				
14	PS01611	CLAMP.....	1				
15	PS01127	HOUSING-Rear Kit	1				
16	82537	SCREW-Taptite (10-14 X 7/8")	2				
17	82538	SCREW-Taptite (10-24 X 3/4")	4				
18	983815001	TRIGGER-Throttle.....	1				
19	82537	SCREW-Taptite (10-14 X 7/8")	4				
20	0883202	CABLE-Throttle	1				
21	PS04384	HANDLE Grip (RH)	1				
22	PS04383	HANDLE Grip (LH)	1				

RYOBI CURVED SHAFT TRIMMER – MODEL NO. UT70001A

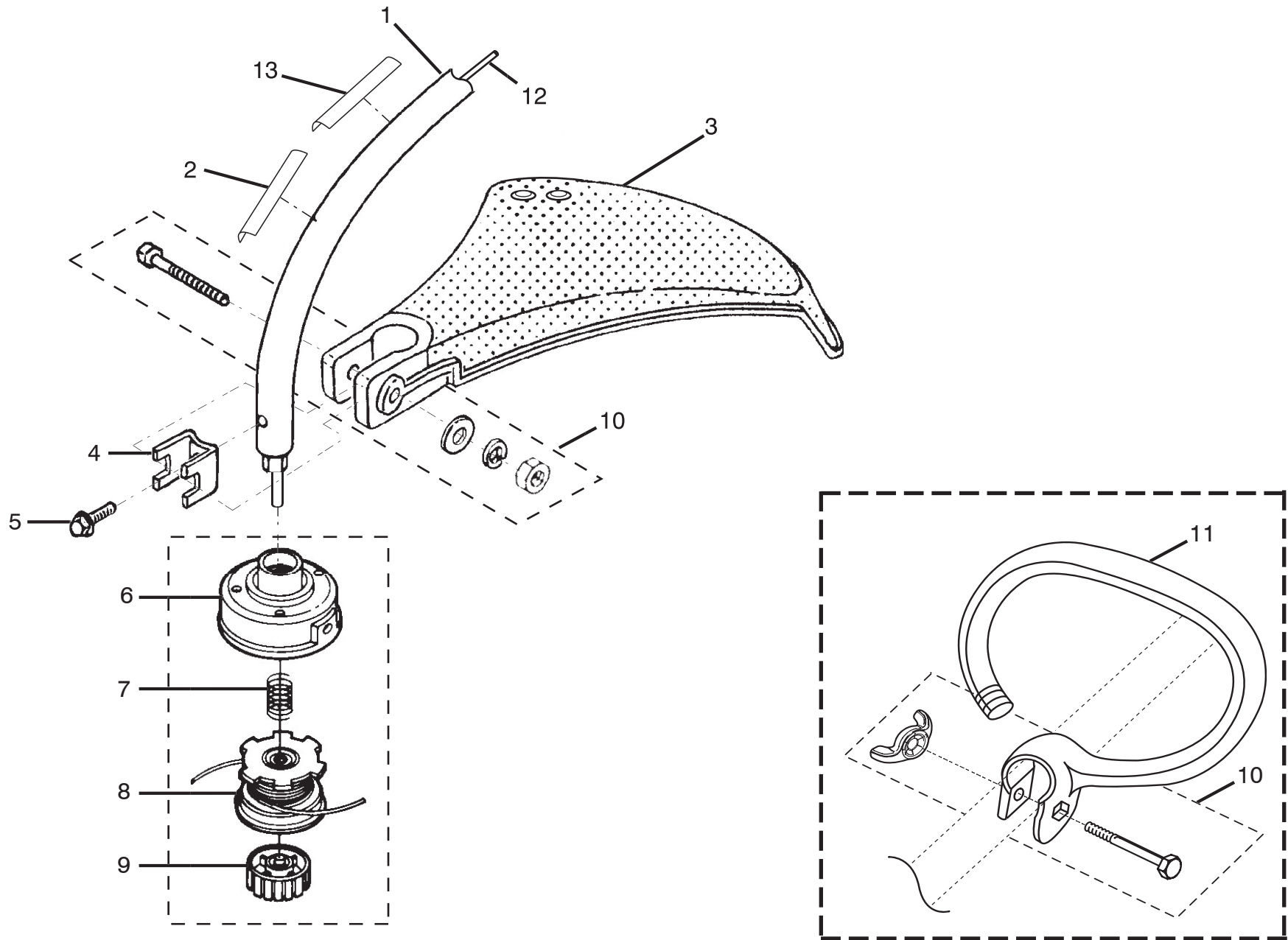


FIGURE B

RYOBI CURVED SHAFT TRIMMER – MODEL NO. UT70001A

The model number will be found on a plate attached to the motor housing. Always mention the model number in all correspondence regarding your **STRING TRIMMER** or when ordering repair parts.

PARTS LIST FOR FIGURE B

KEY NO.	PART NUMBER	DESCRIPTION	QTY.
1	984535001	BOOM ASSEMBLY KIT	1
2	PS02137	DECAL-BOOM (WARNING).....	1
3	PA01014	GRASS DEFLECTOR.....	1
4	07928	CLAMP	1
5	983823001	SCREW	1
6	A98231A	HOUSING AND EYELETS.....	1
7	06713	COMPRESSION SPRING.....	1
8	PA0387A	SPOOL W/LINE (.080").....	1
9	A98866A	SPOOL RETAINER (RH/THREAD).....	1
10	PA00249	FASTENER PARTS KIT	1
11	06542A	FRONT HANDLE	1
12	PS01502	FLEX SHAFT.....	1
13	PS06142	DECAL-RYOBI GRASS SCORPION	1

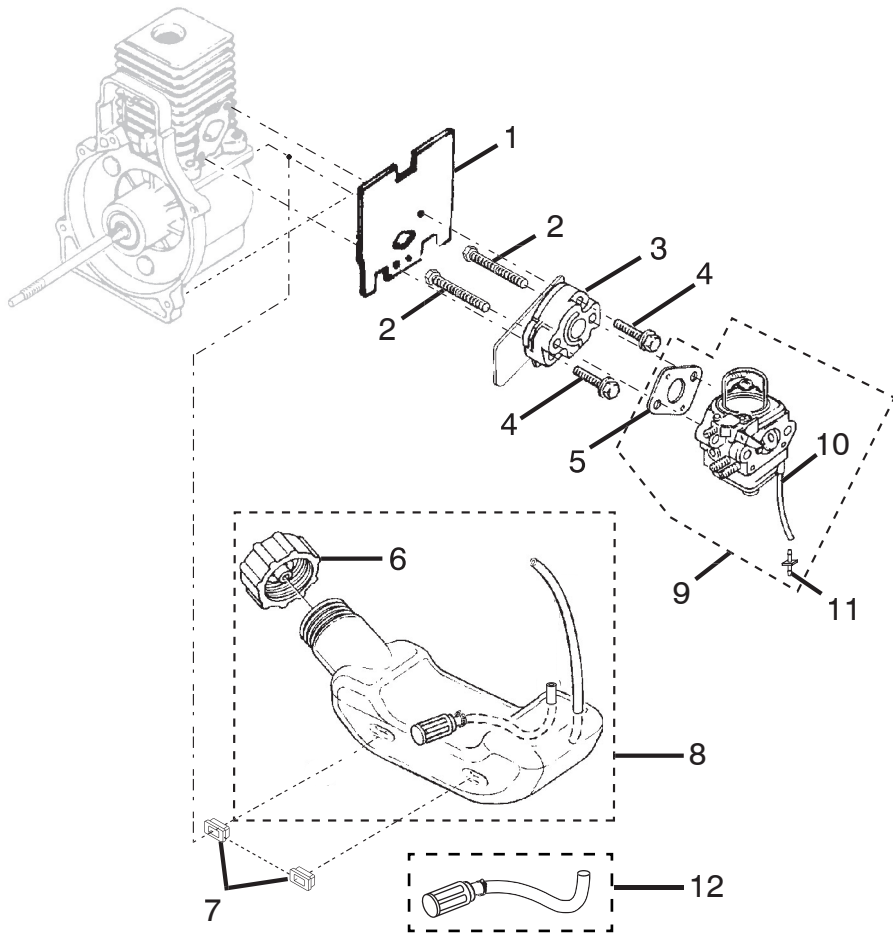


FIGURE C

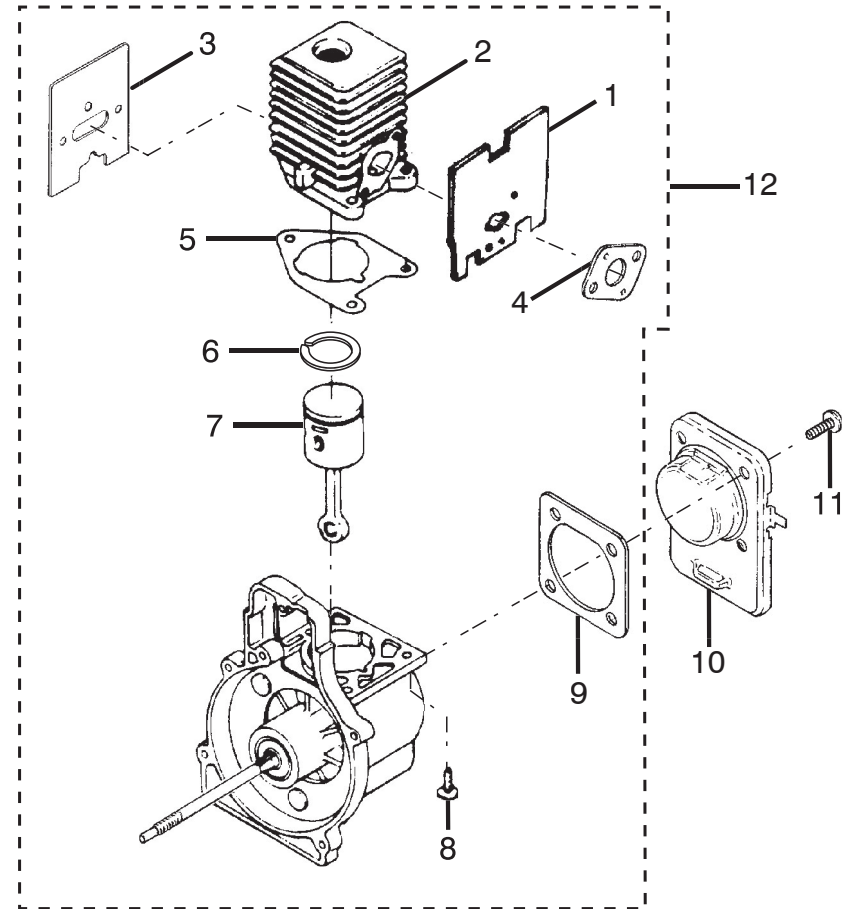


FIGURE D

RYOBI CURVED SHAFT TRIMMER – MODEL NO. UT70001A

The model number will be found on a plate attached to the motor housing. Always mention the model number in all correspondence regarding your **STRING TRIMMER** or when ordering repair parts.

PARTS LIST FOR FIGURE C

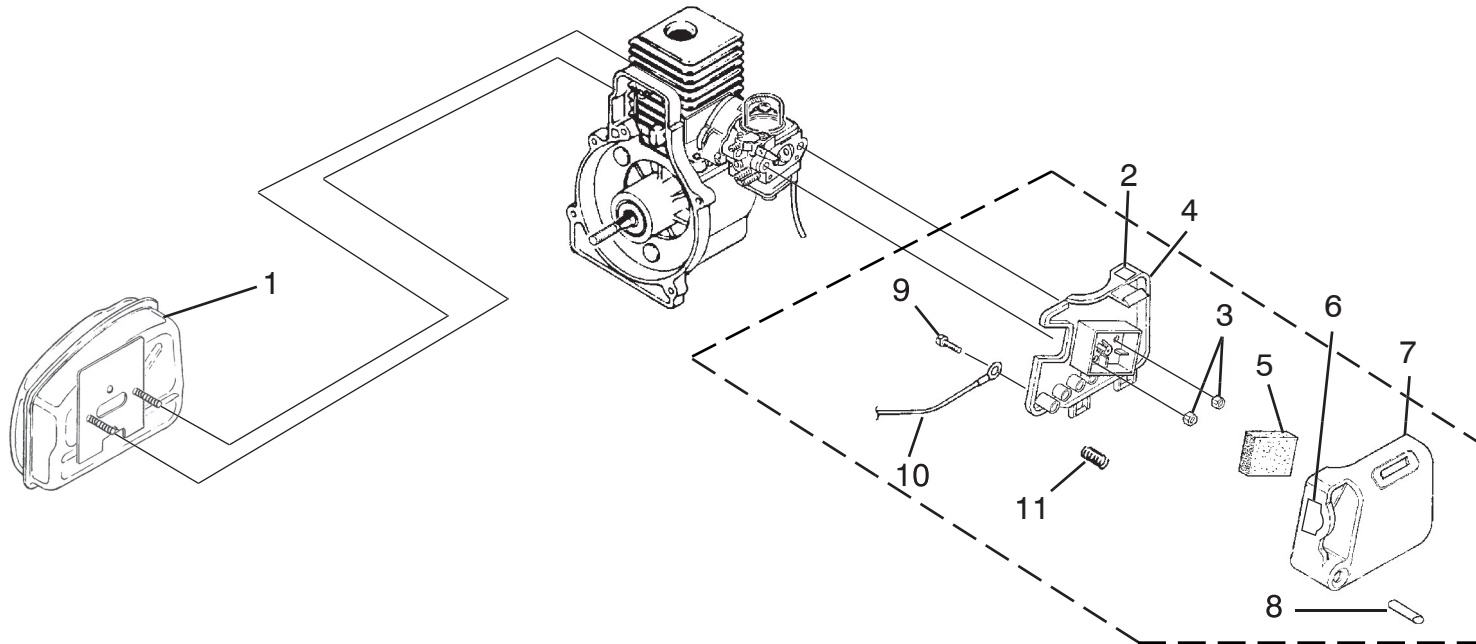
KEY NO.	PART NUMBER	DESCRIPTION	QTY.
1	06900A	HEAT DAM GASKET	1
2	04474	CARBURETOR BOLT	2
3	98768A	HEAT DAM	1
4	093221	PAN HEAD SEMS SCREW	2
5	98766A	CARBURETOR GASKET	1
6	A09116	FUEL CAP	1
7	98792	BUMPER	3
8	PA01624	* FUEL TANK ASSEMBLY	1
9	984534001	CARBURETOR ASSEMBLY KIT	1
10	0143910	RUBBER HOSE (63.5 mm)	1
11	07332	INLINE FUEL FITTING	1
12	985077001	FUEL FILTER KIT	1
		(INCLUDED ON FUEL TANK ASSEMBLY)	

PARTS LIST FOR FIGURE D

KEY NO.	PART NUMBER	DESCRIPTION	QTY.
1	06900A	HEAT DAM GASKET	1
2	PS05699	CYLINDER	1
3	PS04000	MUFFLER GASKET	1
4	98766A	CARBURETOR GASKET	1
5	04388B	CYLINDER GASKET	1
6	PS01359	PISTON RING (1-5/16")	1
7	984544001	PISTON ASSEMBLY KIT	1
8	PS02807	SCREW (12-24 x .660 PAN TORX)	3
9	06443A	GASKET COVER, C/C	1
10	PS02130	CRANKCASE COVER	1
11	PS01565	PAN HEAD SCREW	4
12	984525001	SHORT BLOCK ASSEMBLY	1

* WHEN ORDERING FUEL TANK ASSEMBLY (ITEM NUMBER 8), ALSO ORDER BUMPERS (ITEM NUMBER 7)

RYOBI CURVED SHAFT TRIMMER – MODEL NO. UT70001A



PARTS LIST

KEY NO.	PART NUMBER	DESCRIPTION	QTY.
1	PA01073	MUFFLER ASSEMBLY.....	1
2	PS02112	DECAL-PRIMER.....	1
3	81208	LOCK NUT (10-24).....	2
4	PS02113	BOX AIR FILTER (CONEHEAD).....	1
5	98760	AIR FILTER.....	1
6	PS02111	DECAL-CHOKE.....	1
7	PS02156	AIR BOX COVER.....	1
8	06618A	SWITCH BUTTON.....	1
9	82513	SCREW.....	1
10	A07238	ELECTRICAL LEAD.....	1
11	95020A	SPRING-COMPRESSION.....	1
12	06502	SPARK SCREEN (NOT SHOWN).....	1
	PS06143	OPERATOR'S MANUAL.....	1
	983000-369R	REPAIR SHEET.....	1

9-25-03