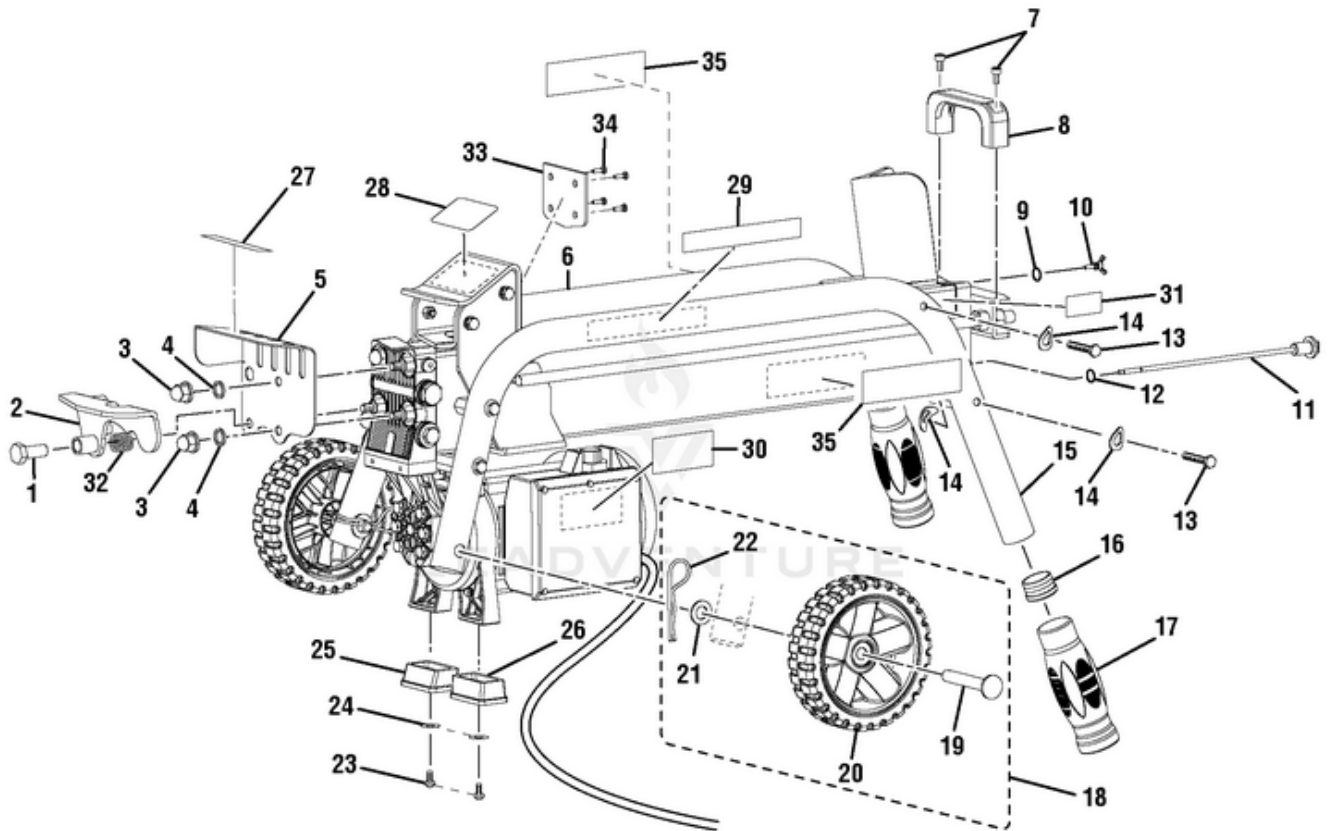


Electric Log Splitter UT49102 UT49102 Electric Log Splitter - General Assembly (Part 1)

HOMELITE ELECTRIC LOG SPLITTER
MODEL NUMBER UT49102

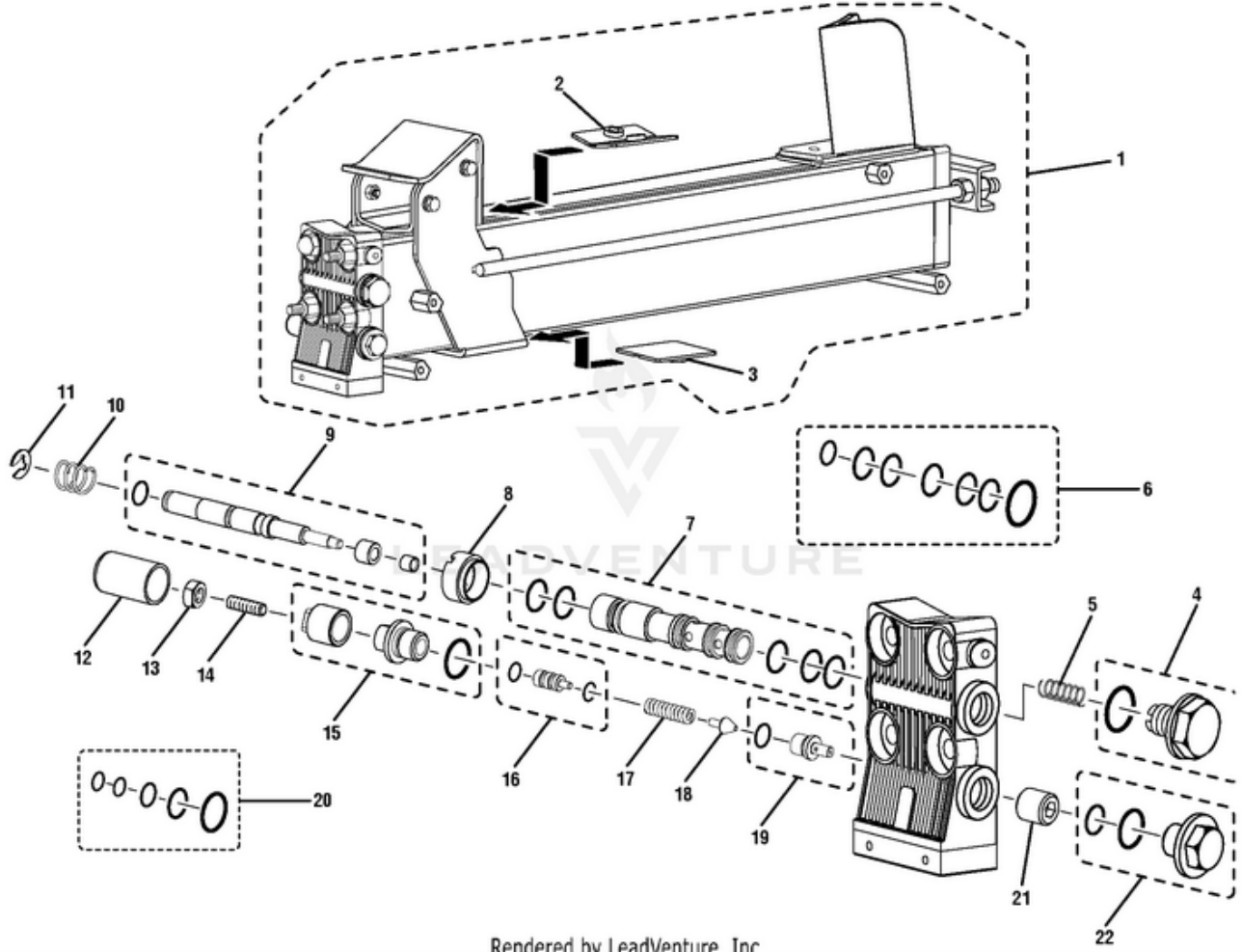


Rendered by LeadVenture, Inc.

| Ref # | Part # | Description | Qty |
|--------------|---------------|-------------------------------|------------|
| 1 | 33212131G | Lever Bushing | 1 |
| 2 | 33301132G | Lever | 1 |
| 3 | 33213131G | Nut | 2 |
| 4 | 32910132G | Lock Washer | 2 |
| 5 | 33304132G | Guard | 1 |
| 6 | 33303132G | Leg Frame (L) | 1 |
| 7 | 32203132G | Screw (M6 x 15 mm) | 2 |
| 8 | 34103132G | Handle | 1 |
| 9 | 34202131G | O-ring | 1 |
| 10 | 34104131G | Bleed Screw | 1 |
| 11 | 31104131G | Dipstick | 1 |
| 12 | 34211131G | O-ring | 1 |
| 13 | 32202132G | Bolt (M8 x 50 mm) | 8 |
| 14 | 33306132G | Spacer | 16 |
| 15 | 33309132G | Leg Frame (R) | 1 |
| 16 | 34102132G | Plug | 2 |
| 17 | 34101132G | Rubber Grip | 2 |
| 18 | 31105132G | Wheel Assembly | 2 |
| 19 | 33201132G | Axle | 2 |
| 20 | 31103234G | Wheel | 2 |
| 21 | 32918131G | Washer | 2 |
| 22 | 33901132G | Hitch Pin | 2 |
| 23 | 3220350G | Screw (M6 x 20 mm) | 2 |
| 24 | 33316131G | Washer | 2 |
| 25 | 34221131G | Rubber Foot (L) | 1 |
| 26 | 34220131G | Rubber Foot (R) | 1 |
| 27 | 099077001103 | Danger Label | 1 |
| 28 | 099077001101 | Bleed Screw Instruction Label | 1 |
| 29 | 099077001100 | Warning Label | 1 |
| 30 | 099077005900 | Data Label | 1 |
| 31 | 099077005902 | Bleed Screw Location Label | 1 |
| 32 | 33906132G | Torsion Spring | 1 |
| 33 | 33308131G | Ram Plate | 1 |
| 34 | 32208131G | Screw (M5 x 12mm) | 4 |
| 35 | 099077005906 | Homelite Logo Label | 2 |
| | 987000509 | Operator's Manual | |

Electric Log Splitter UT49102 UT49102 Electric Log Splitter - General Assembly (Part 2)

HOMELITE ELECTRIC LOG SPLITTER
MODEL NUMBER UT49102

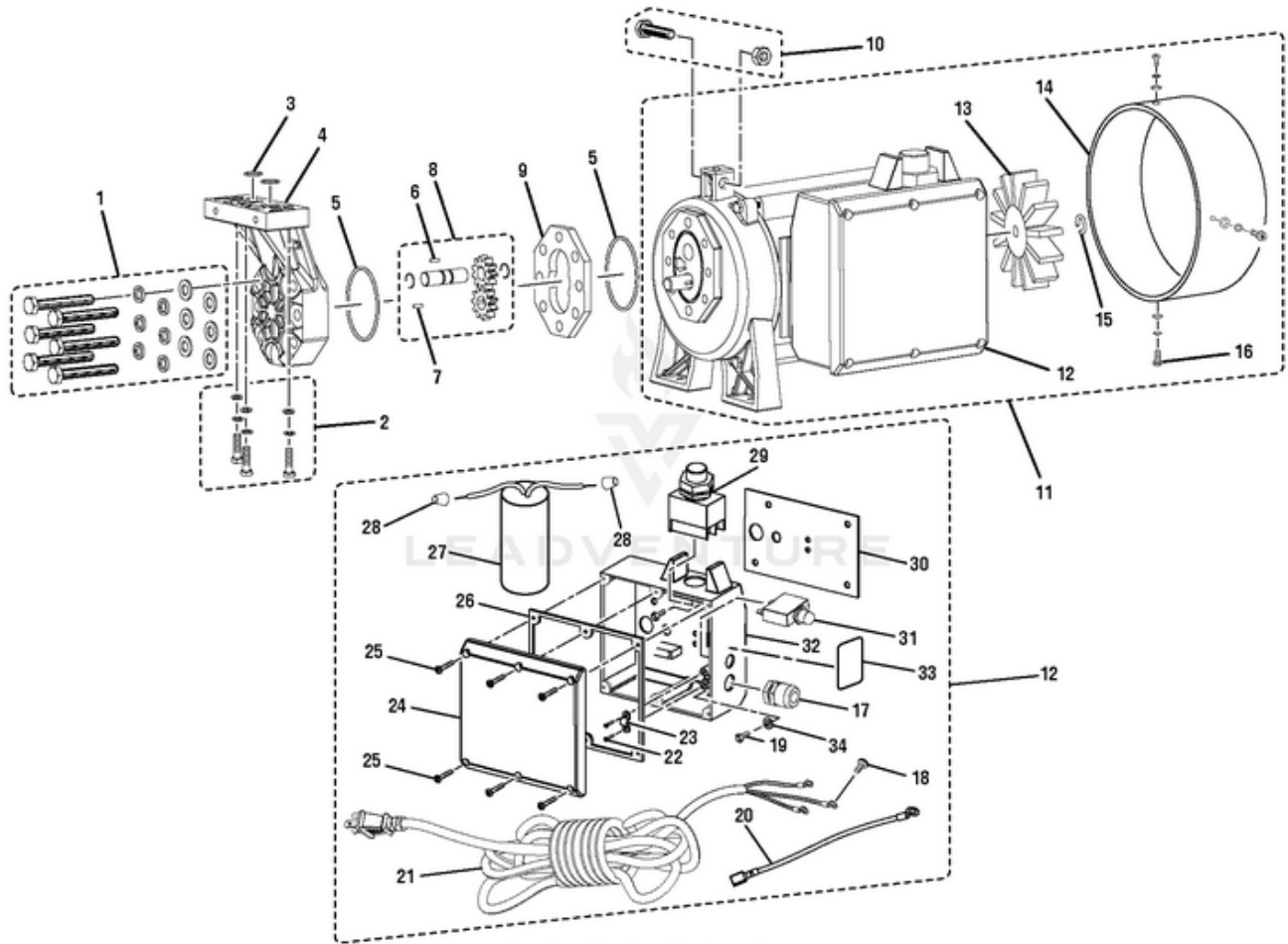


Rendered by LeadVenture, Inc.

| Ref # | Part # | Description | Qty |
|--------------|---------------|-------------------------------------|------------|
| 1 | 31101132G | Main Body Assembly | 1 |
| 2 | 34107131G | Upper Wear Pad | 1 |
| 3 | 34110131G | Lower Wear Pad | 1 |
| 4 | 31111132G | Valve Plug Assembly | 1 |
| 5 | 33903131G | Compression Spring | 1 |
| 6 | 31112132G | O-ring Kit | 1 |
| 7 | 31113132G | Valve Body Assembly | 1 |
| 8 | 33231131G | Valve Body Retainer | 1 |
| 9 | 31114132G | Valve Assembly | 1 |
| 10 | 33902131G | Compression Spring | 1 |
| 11 | 32901131G | Retaining Ring | 1 |
| 12 | 34101131G | Pressure Relief Valve Cover | 1 |
| 13 | 3290205G | Nut (M6) | 1 |
| 14 | 32212131G | Pressure Relief Screw (M6 x 20 mm) | 1 |
| 15 | 31115132G | Relief Valve Bushing Assembly | 1 |
| 16 | 31116132G | Adjustment Pin Assembly | 1 |
| 17 | 33901131G | Compression Spring | 1 |
| 18 | 33202131G | Pressure Relief Valve | 1 |
| 19 | 33201131G | Relief Valve Seat | 1 |
| 20 | 31118132G | Pressure Relief Valve O-ring Kit | 1 |
| 21 | 32213131G | Valve Seat Retainer | 1 |
| 22 | 31119132G | Pressure Relief Valve Plug Assembly | 1 |

Electric Log Splitter UT49102 UT49102 Electric Log Splitter - General Assembly (Part 3)

HOMELITE ELECTRIC LOG SPLITTER
MODEL NUMBER UT49102



Rendered by LeadVenture, Inc.

| Ref # | Part # | Description | Qty |
|--------------|---------------|-----------------------------|------------|
| 1 | 31106132G | Bolt Assembly | 1 |
| 2 | 31107132G | Bolt Assembly | 1 |
| 3 | 34213131G | O-ring | 2 |
| 4 | 31120132G | Gear Pump Housing Assembly | 1 |
| 5 | 34226131G | O-ring | 2 |
| 6 | 32902131G | Ball Key | 1 |
| 7 | 33227131G | Pin Key | 1 |
| 8 | 31108132G | Gear Pump Assembly | 1 |
| 9 | 33226131AG | Gear Pump Plate | 1 |
| 10 | 31109132G | Nut and Bolt Assembly | 1 |
| 11 | 31103132G | Motor Assembly | 1 |
| 12 | 31110132G | Switch Box Assembly | 1 |
| 13 | 34110132G | Fan | 1 |
| 14 | 33314132G | Shroud | 1 |
| 15 | 33910132G | Retaining Ring | 1 |
| 16 | 32210132G | Screw (M4 x 10 mm) w/Washer | 3 |
| 17 | 36501131G | Strain Relief | 1 |
| 18 | 3220515G | Screw (M4 x 8 mm) | 1 |
| 19 | 3220337G | Screw (M5 x 12 mm) | 4 |
| 20 | 31105131G | Lead Wire Assembly | 1 |
| 21 | 31103131G | Power Cord Assembly | 1 |
| 22 | 3220505G | Screw (M4 x 16 mm) | 2 |
| 23 | 3410403G | Cord Clip | 1 |
| 24 | 34109131G | Switch Box Cover | 1 |
| 25 | 322010G | Screw (M4.2 x 14 mm) | 6 |
| 26 | 34218131G | Cover Gasket | 1 |
| 27 | 36901131AG | Capacitor | 1 |
| 28 | 36511154G | Wire Nut | 2 |
| 29 | 36301131G | Switch | 1 |
| 30 | 34219131G | Switch Box Gasket | 1 |
| 31 | 36302131G | Circuit Breaker | 1 |
| 32 | 34108131G | Switch Box | 1 |
| 33 | 099077005905 | Circuit Breaker Label | 1 |
| 34 | 3290408G | Washer | 1 |