



17 3/4" HEDGE TRIMMER

Model UH4510A

IMPORTANT — To assure product **SAFETY** and **RELIABILITY**, repairs, maintenance or adjustments should be performed by **MAKITA** Service Centers or other qualified service organizations. Always use **MAKITA** replacement parts.

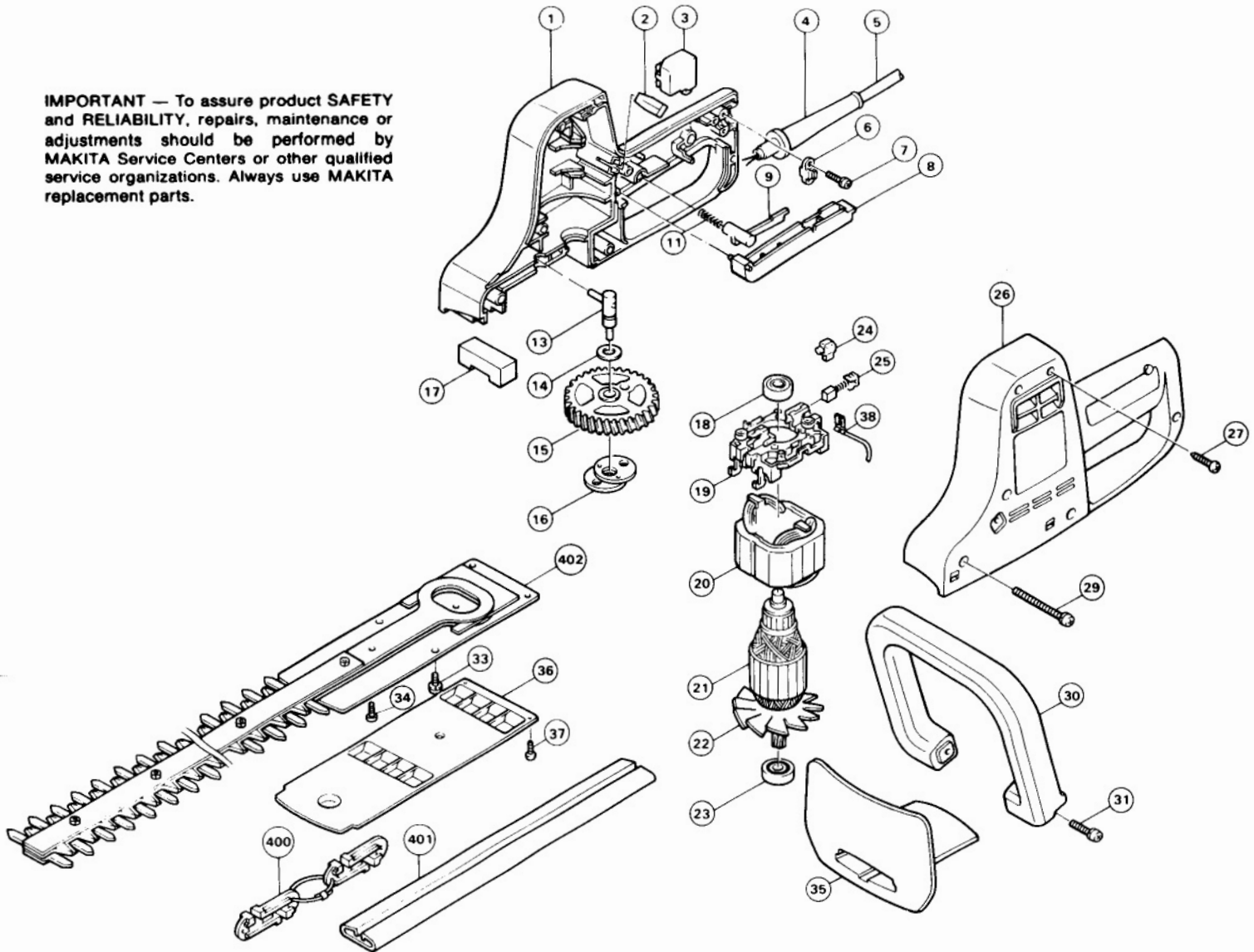


Fig.	Part No.	Qty. Used	Description	Fig.	Part No.	Qty. Used	Description
1	182066-3	1	HOUSING SET (INCL. FIG. 26)	23	211053-6	1	BALL BEARING 609LB
2	423096-8	1	SPONGE SEAL	24	686015-7	2	RECEPTACLE SLEEVE
3	651893-4	1	SWITCH	25	643119-8	2	CARBON BRUSH (CB-119)
4	682502-4	1	CORD GUARD	26	182066-3	1	HOUSING SET (INCL. FIG. 1)
5	664400-4	1	POWER SUPPLY CORD	27	265874-8	5	TAPPING SCREW 4x20
6	687031-2	1	STRAIN RELIEF	29	911278-9	3	PAN HEAD SCREW M5x55
7	911133-5	2	PAN HEAD SCREW M4x18	30	273491-0	1	GRIP 27
8	414157-5	1	SWITCH LEVER	31	911233-1	2	PAN HEAD SCREW M5x20
9	414158-3	1	LOCK-OFF BUTTON	33	911223-4	4	PAN HEAD SCREW M5x16
11	231457-6	1	COMPRESSION SPRING 3	34	251344-3	1	PAN HEAD SCREW M4x12
13	152328-3	1	PIN 10	35	150206-1	1	GUARD
14	253758-2	1	FLAT WASHER 10	36	414467-0	1	BOTTOM COVER
15	153184-4	1	GEAR 68	37	265873-0	2	TAPPING SCREW BIT 4x14
16	164896-4	1	CRANK	38	654069-2	2	RECEPTACLE
17	423170-2	1	SPONGE SEAL	ACCESSORIES			
18	211033-2	1	BALL BEARING 608LB	400	158024-1		HOOK COMPLETE
19	632064-2	1	TERMINAL BASE 72B	401	414341-2		BLADE COVER
20	634031-3	1	FIELD	402	125008-4		SHEAR BLADE ASSEMBLY
21	612976-5	1	ARMATURE (INCL. FIG. 18, 22 & 23)				
22	241109-1	1	FAN 70				