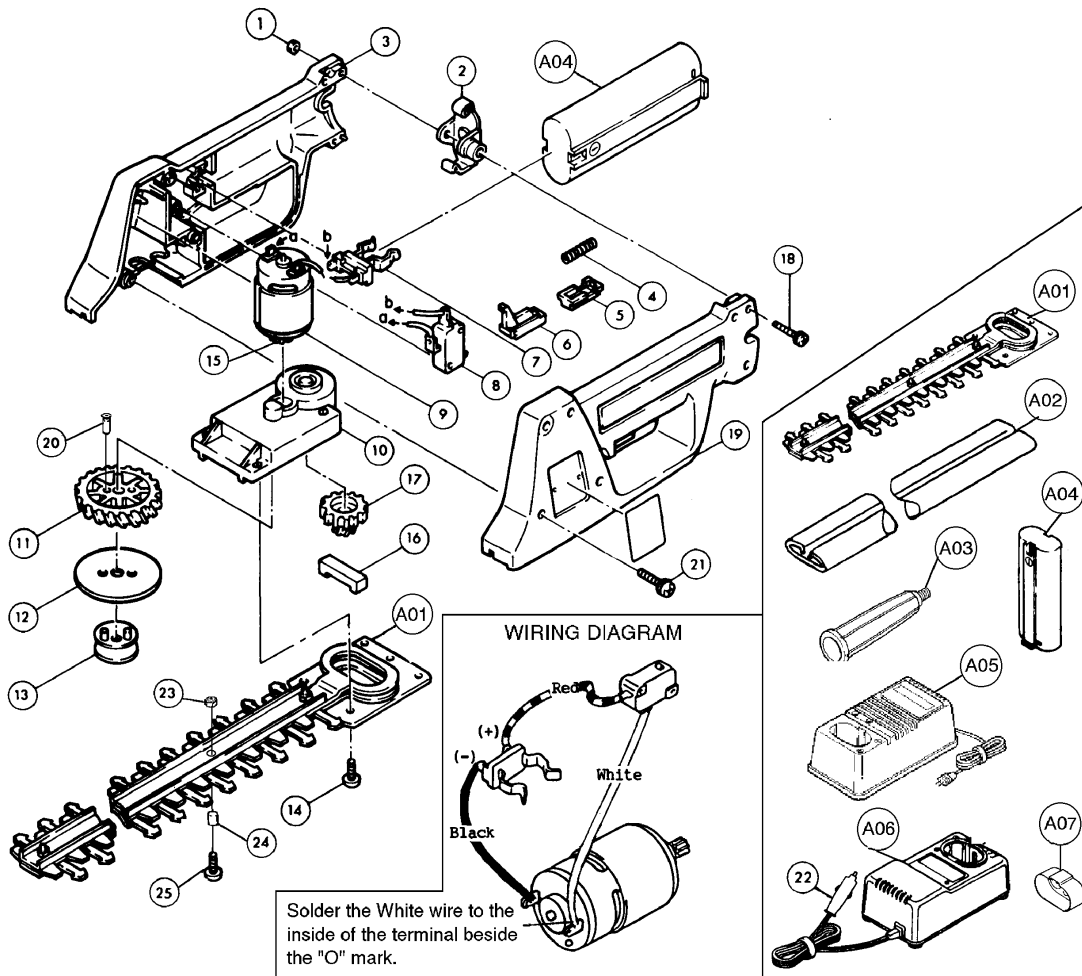


# 11 3/4" CORDLESS HEDGE TRIMMER

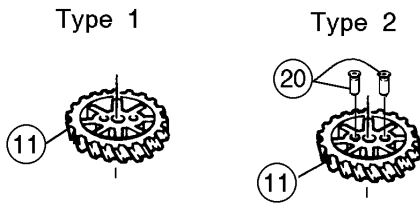
Model UH3000D  
 Model UH3000DW



Item No.	Part No.	No. Used	Description	Item No.	Part No.	No. Used	Description
1	931102-0	5	Hex Nut M4	24	257110-6	4	Ring 4
2	163157-9	1	Set Plate W/Rubber (Type 1)	25	251307-9	4	(+) P.H. Screw M4x15
	342833-0	1	Set Plate (Type 2)	<b>Accessories</b>			
3	410442-4	1	Housing (R) (Includes Item 1)	A01	191585-8	1	Shear Blade Assy (Includes Items 23-25)
4	231390-2	1	Compression Spring 3	A02	410471-7	1	Blade Cover
5	414169-8	1	Lock Off Lever (Old 410448-2)	A03	273406-7	1	Side Handle 32 (Type 1)(Discontinued)
6	414168-0	1	Switch Lever (Old 410447-4)		273499-4	1	Side Handle 34 (Type 2)
7	643909-9	1	Battery Holder		152491-2	1	Side Handle 36 (Type 3)
8	651899-2	1	Switch (Old 651866-7)	A04	632002-4	1	7.2V Battery 7000 Ni-CAD, 1.3Ah
9	629538-2	1	Motor 7.2V D.C.(Includes Item 15)	A05	DC9710	1	Charger DC9710 (AC only)For Ni-CAD 1.3Ah 7.2V & 9.6V Batteries
10	410445-8	1	Gear Housing	A06	CAADC1412	1	Automotive Charger DC1412For 7.2V ~ 14.4V, 1.3Ah ~ 2.0Ah Ni-CAD Batteries (Includes Item 22)
11		1	Helical Gear 52		DC1422	1	12V Automotive Charger For 7.2 ~ 14.4V 1.3Ah ~ 2.0Ah Ni-CAD Batteries (Includes Item 22)
12	342819-4	1	Plate	A07	414938-7	1	Battery Cartridge Cover
13	164761-7	1	Crank				
14	251307-9	1	(+) P.H. Screw M4x15				
15	221922-3	1	Spur Gear 9				
16	423105-3	1	Sponge Seal				
17	226803-6	1	Gear 14-34				
18	911143-2	3	P.H. Screw M4x22 (With Washer)				
19	410443-2	1	Housing (L)				
20	262531-9	2	Urethane Sleeve 4				
21	911178-3	2	P.H. Screw M4x50 (With Washer)				
22	655000-B	1	Plug (For Cigarette Lighter)				
23	252083-8	4	Hex Lock Nut M4-7				

SERVICE CHANGE

1. Change on Helical Gear and Addition of Urethane Sleeves.



Item No.	Description	Type 1	Type 2
11	Helical Gear 52	221736-0	226437-5
20	Urethane Sleeve	-----	262531-9 (2 Pieces)
	Serial No. (Model UH3000D)	~ 537463	537464 ~

Above parts are completely interchangeable as a set.  
 Model UH3000DW sold in Canada has Type 1 Gear only.