

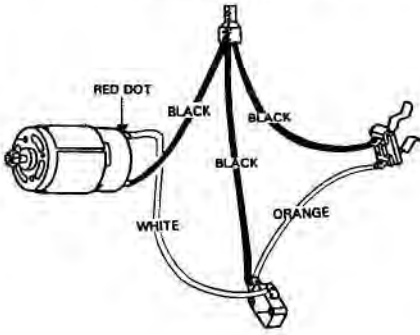


PARTS BREAKDOWN

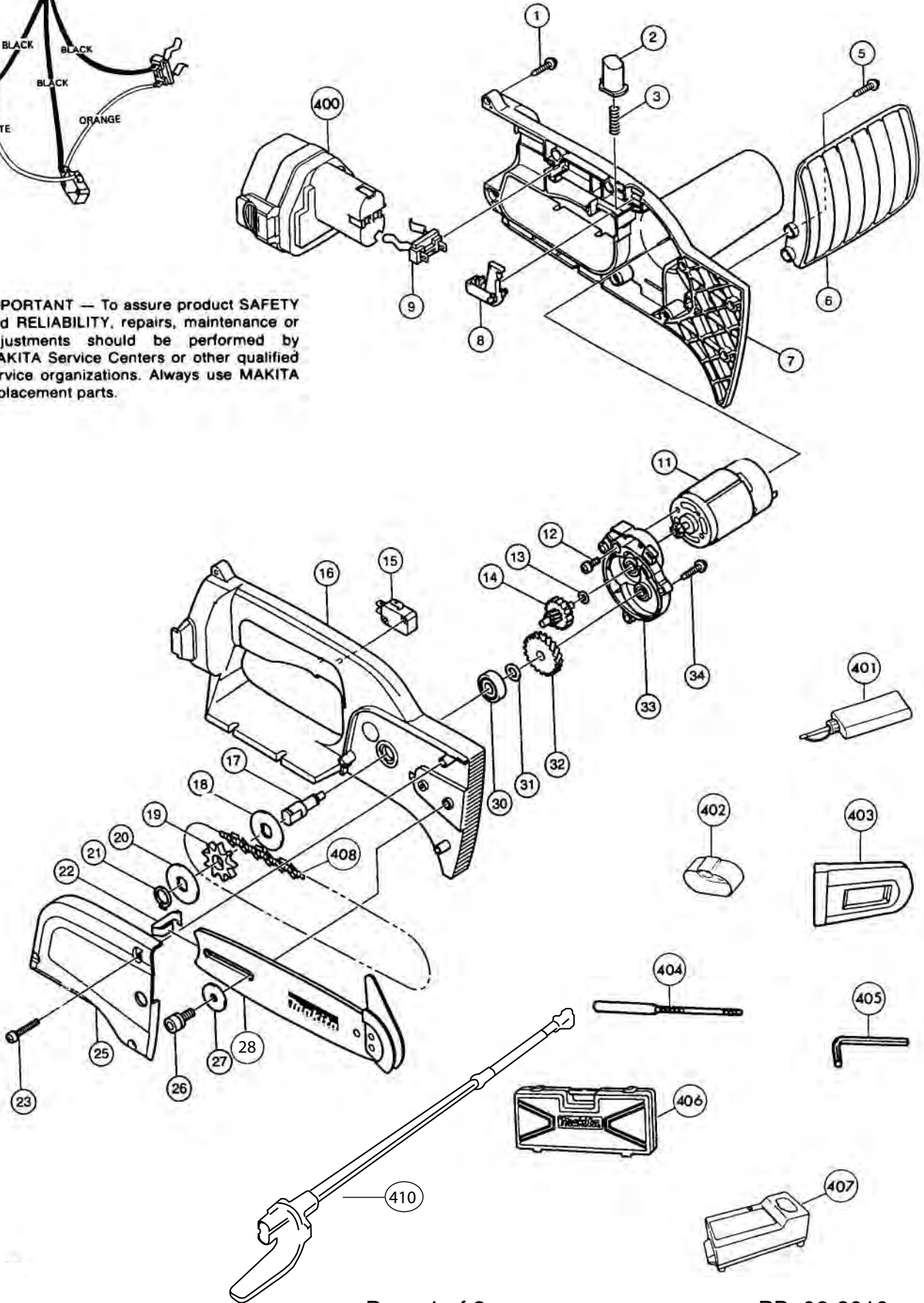
rev 1_08/02/2010

UC120D
UC120DWD
UC120DWA

WIRING DIAGRAM



IMPORTANT — To assure product **SAFETY** and **RELIABILITY**, repairs, maintenance or adjustments should be performed by **MAKITA** Service Centers or other qualified service organizations. Always use **MAKITA** replacement parts.





PARTS BREAKDOWN
rev 1_08/02/2010

UC120D
UC120DWD
UC120DWA

Products with multiple versions are listed in subsiding order with the newest version on top not indented.

Corresponding bulletins are attached. Select bulletin name or attachment to view.

Tech Bulletins	Fig. No.	Part No.	Description	Q'ty Unit
	1	265995-6	TAPPING SCREW 4X18	9
	2	416308-6	LOCK OFF BUTTON	1
	3	233194-8	COMPRESSION SPRING 4	1
	5	265995-6	TAPPING SCREW 4X18	2
	6	416312-5	FRONT HAND GUARD	1
	7	182923-5	HOUSING SET (INCL. FIG. 16)	1
	8	415679-8	SWITCH LEVER	1
61921	9	643918-8	BATTERY HOLDER, 6391DWPLE	1
	9	643909-9	BATTERY HOLDER	1
	11	629715-6	DC MOTOR (INCL. 1 EA. SPUR GEAR 15 221882-9)	1
	12	911113-1	PAN HEAD SCREW M4X10	2
	13	253811-4	FLAT WASHER 5	1
	14	226131-9	GEAR COMPLETE 9-46	1
	15	651942-7	SWITCH	1
	16	182923-5	HOUSING SET (INCL. FIG. 7)	1
	17	322954-4	SPINDLE	1
	18	267729-3	LOCK WASHER 12	1
	19	221504-1	SPROCKET 9	1
	20	267729-3	LOCK WASHER 12	1
	21	961052-5	RETAINING RING S-12	1
	22	232170-9	LEAF SPRING	1
	25	416306-0	SPROCKET COVER	1
	26	922322-7	HEX. SOCKET HEAD BOLT M6X16	1
	27	267173-4	FLAT WASHER 6	1
82186	28	158476-6	GUIDE BAR COMPLETE, UC120DWA	1
	28	158045-3	GUIDE BAR COMPLETE, UC120DWA	1
	30	211031-6	BALL BEARING 608LLB	1
	31	253215-0	FLAT WASHER 8	1
	32	226478-1	HELICAL GEAR 44	1
	33	159982-4	GEAR HOUSING COMPLETE	1
	34	265995-6	TAPPING SCREW 4X18	3
	400	193157-5	HIGH CAPACITY BATTERY 1234 (UC120DWD)	1
	400	192598-2	HIGH CAPACITY BATTERY 1222 (UC120DWA)	1
	401	182229-1	OIL SUPPLY 1000C	1
	402	414938-7	BATTERY COVER	1
	403	416311-7	GUIDE BAR CASE	1
	404	744003-1	FILE 4	1
	405	783203-8	HEX. WRENCH 5	1
	406	824491-9	PLASTIC CARRYING CASE	1
	407	DC1414	CHARGER, DC1410 (UC120DWD)	1
	407	DC1410	CHARGER, DC1410 (UC120DWA)	1
	408	791284-8	CHAIN BLADE	1
	410	192927-9	PRUNING EXTENSION SET, UC120D	1