



BOSCH

Universal Rotary Hammer

UBH 2/20 S | 0 611 210 004

Table of Content

Spare parts list.....	2
Illustration - Type.....	5

Spare parts list

Item	Part Number	Description		
2	2 604 220 429	Field	220-230V	
3/50	1 616 610 072	Fan	BLACK	
4	1 617 200 082	Switch		
6	2 600 703 011	Grommet	Ø8,3-Ø9,4x95 MM	
6	2 600 703 012	Grommet	Ø6,5-Ø6,9x95 MM	
7	1 611 035 005	Cable Clip		
9	1 611 110 414	Manufacturer's nameplate		
10	1 611 110 415	Reference Plate		
17	1 615 132 034	Housing Cover	BLACK	
18	1 610 522 008	Air-Deflector Ring		
20	1 615 700 037	Intermediate Flange		
21	1 616 490 058	Ratchet Sleeve	SDS-PLUS	
22	1 616 320 007	Cylindrical Gear	Z=46	
23	1 616 320 002	Cylindrical Gear	Z=6/21	
24	1 613 060 010	Toothed Shaft	Z=6/10	
26	1 618 700 052	Hammer Piston		
28	1 613 124 026	Striker Pin		
29	1 613 105 012	Piston Pin		
30	1 615 819 005	Drive bearing		
31	1 610 100 003	Support Disc	0,8 MM	THICK
32	1 612 026 023	Clamp Handle	BLACK	
34	1 610 508 008	Protective Cap	L=17 MM, SDS-PLUS	
35	1 610 206 021	Rubber Ring		
37	1 610 390 011	Damping Bushing		
38	1 610 102 022	Supporting Disc		
39	1 613 100 013	Straight Pin		
40	1 614 690 001	Holding Spring		
41	1 610 920 003	Roller-Cage Assembly		
44	1 614 633 001	Compression Spring		
45	1 614 614 001	Compression Spring		
49	2 604 448 005	Cable	L=130 MM	WHITE
54	1 610 210 068	O-Ring	24,0x2,5 MM	
55	1 610 206 023	Seal Ring		
56	1 610 210 070	O-Ring	14,0x3,0 MM	
58	1 610 210 058	O-Ring	18,0x3,0 MM	

Spare parts list

Item	Part Number	Description
59	1 610 210 069	O-Ring 6,0x2,5 MM
60	1 610 210 073	O-Ring 10,0x3,5 MM
61	1 610 283 017	Rotary shaft lip seal
62	1 610 202 026	Plain bearing
63	1 610 905 048	groove ball bearing 9x24x7
64	1 610 905 025	groove ball bearing 7x19x6
65	1 900 900 228	groove ball bearing 8x22x7
66	1 610 301 000	Bushing Ø30xØ37x15,7 MM
67	1 610 910 064	Needle bearing
68	1 610 920 004	Roller-Cage Assembly
69	1 610 102 618	Support Disc 1,0 MM THICK
70	1 903 230 013	Ball DIN 5401-Ø7MM-III-ST
71	1 610 101 011	Shim washer 1,2 MM THICK
72	2 916 540 018	Retaining ring DIN 7993-A32
73	1 614 601 009	Retaining ring DIN 9045-24
76	1 613 435 009	Tapping Screw ST-4,8x57,5-TORX,T20
77	2 910 211 021	Tapping Screw DIN 7971-ST3,9x22-F
78	1 603 435 050	Tapping Screw ST3,9x19-TORX,T20
79	2 910 211 005	Tapping Screw DIN 7971-ST2,9x9,5-F
80	2 603 435 015	Cross Recessed-Head Screw DIN 7981-ST3,5x9,5-F
81	2 603 410 001	Socket head cap screw M3x6,5-4.8
83	1 903 230 309	Ball 5 MM V DIN 5401
87	2 916 540 012	Retaining ring DIN 7993-A22
94	1 613 120 017	Detent Pin
801	1 615 108 045	Parts Set BLUE
803	1 614 010 052	Armature With Fan 220-240V
805	1 607 000 227	Power supply cord H07 RN-F EU 4,15m 2 x 1,0mm
808	1 601 11A 3H3	Nameplate
811	1 607 014 117	Carbon Brush
812	1 607 328 028	Suppression Filter
814	1 617 000 130	Brush Holder
816	1 615 806 077	Gear Housing BLACK
821	1 617 000 931	Ratchet Sleeve
827	1 617 000 338	Striker

Spare parts list

Item	Part Number	Description	
833	1 617 000 163	Protection Sleeve	SDS-PLUS
843	2 601 015 047	Brush Plate	
850	2 604 448 003	Cable	
899	1 617 000 932	Impact Mechanism	230V
120	1 612 025 019	Auxiliary Handle	M8
121	1 618 040 048	Support clamp	Ø43 MM
122	1 613 490 002	T-Head Bolt	M8x40 MM
123	1 611 316 006	Clamping Band	Ø43 MM
123/1	1 611 316 003	Clamping Band	Ø43 MM
124	1 613 100 012	Straight Pin	
691	1 615 438 366	Carrying Case	BLUE
700	1 617 000 132	Drill Chuck Shank	SDS-PLUS
700/20	2 603 421 226	Countersunk-Head Screw LEFTHAND THREADS	M6x27
701	1 608 571 022	Key Chuck	Ø1,5-13 MM, 1/2"
701/10	2 607 950 007	Chuck Wrench	SG2
711	1 617 000 133	Parts Set	
711/10/2	2 604 601 004	Retaining ring	
711/20	1 608 521 004	Screwdriver Blade	NR.2,1/4"
711/30	2 607 000 248	Screwdriver Bit	3 PIECE
711/40	1 608 511 020	Screwdriver Blade	GR.1,0x6, 1/4"
720	2 602 025 070	Auxiliary Handle	Ø43 MM
720/8	1 617 000 925	Parts Set	
751	1 613 001 009	Depth-Gauge	SW 6x210 MM

Illustration - Type - E

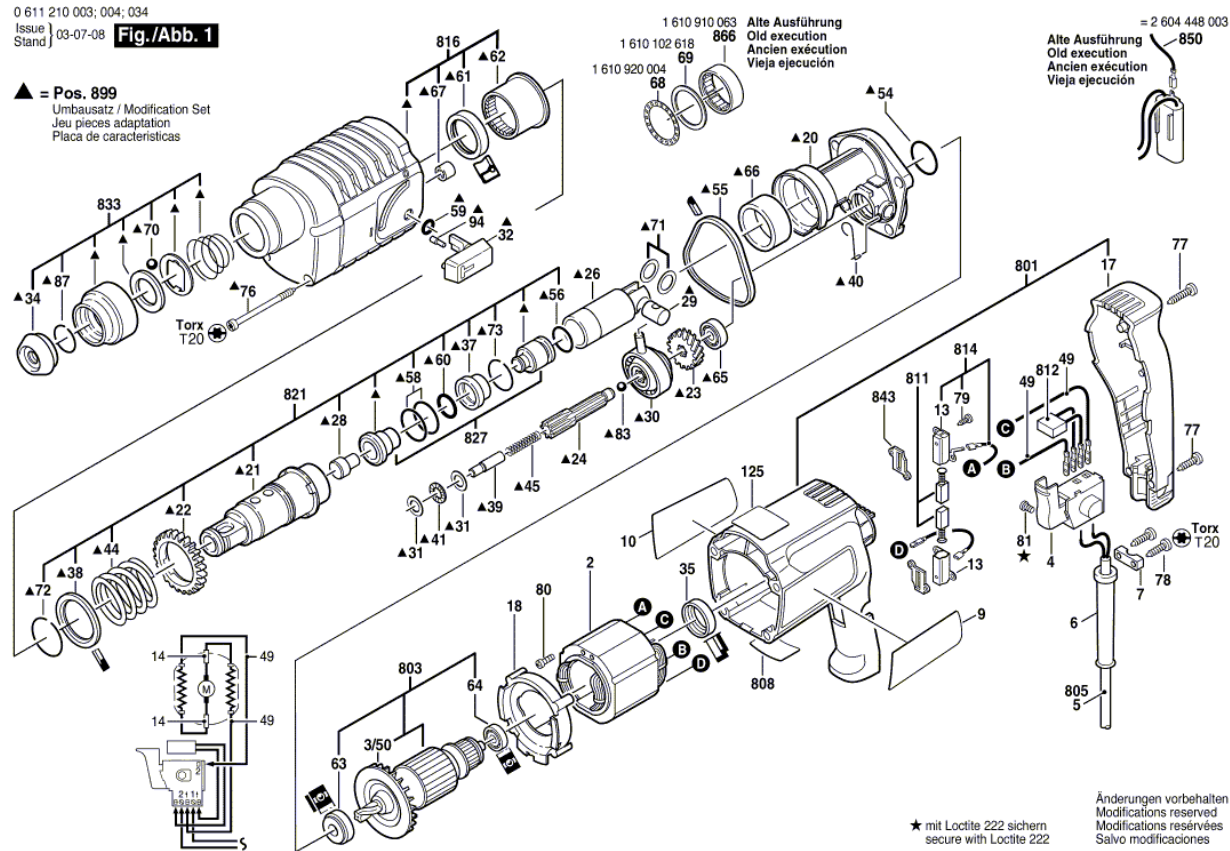


Illustration - Type - E

0 611 210 003; 004; 034
 Issue | 03-06-17
 Stand | **Fig./Abb. 2**

