

**Drill - 0 601 101 014 - UB(J)75B 26**

www.powertools-aftersaleservice.com

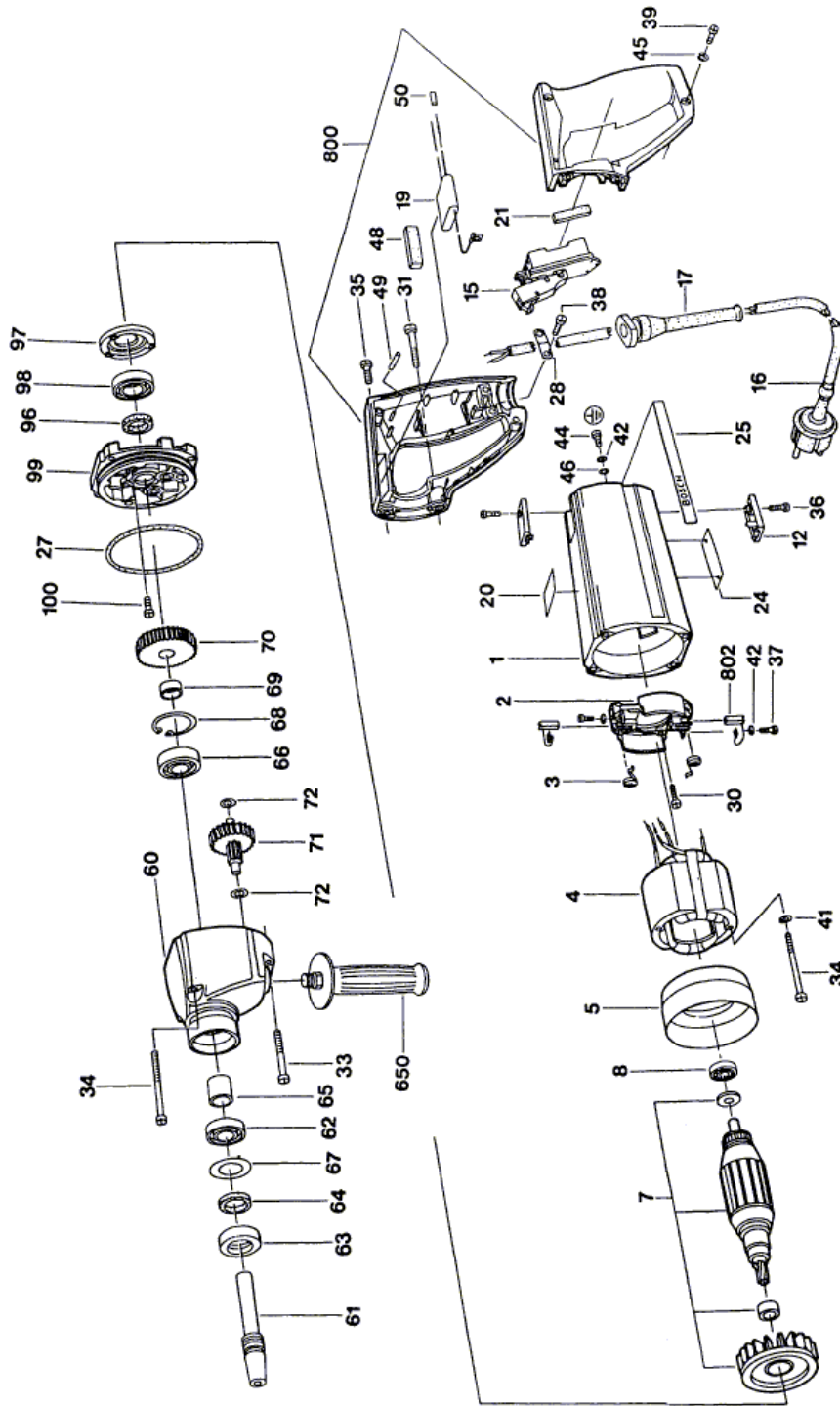
**BOSCH**

Item	Part Number	Description	Illustration	Price	Quantity	Price Group
1	3 605 108 094	Motor Housing BLUE	N/A	-,-	1	-
2	1 604 336 005	Brush Holder	1	-,-	1	29
3	1 604 652 001	Spiral Spring	1	-,-	2	12
4	1 604 220 206	Pole Shoe 100-120V	1	-,-	1	-
5	1 600 209 002	Air-Deflector Ring	1	-,-	1	14
7	1 604 010 026	Armature With Fan 110-115V	1	-,-	1	-
8	2 600 905 032	Deep-Groove Ball Bearing 7x19x6	1	-,-	1	17
8	1 600 502 011	Intermediate Ring	1	-,-	1	11
12	3 605 500 057	Sealing cap BLUE	1	-,-	2	-
15	1 607 200 078	Switch	1	-,-	1	36
15	1 607 200 037	Switch	1	-,-	1	37
16	1 604 460 023	Power supply cord	1	-,-	1	-
17	3 600 703 011	Grommet Ø9,2-Ø12x120 MM	1	-,-	1	13
19	1 607 328 012	Suppression Capacitor	1	-,-	1	25
20	1 601 110 058	Reference Plate DOUBLE INSULATION	1	-,-	1	11
21	1 602 381 001	Insulating Strip 33x10x6 MM	1	-,-	1	11
24	1 601 106 032	Nameplate 26x52 MM	N/A	-,-	1	13
25	1 601 110 004	Manufacturer's nameplate	1	-,-	2	-
27	1 600 210 006	O-Ring 74,0x3,0 MM	1	-,-	1	11
28	1 601 302 014	Fastening Clamp	1	-,-	1	11
30	2 910 211 019	Tapping Screw DIN 7971-ST3,9x16-F	1	-,-	2	10
31	2 910 021 154	Socket head cap screw DIN 84-AM5x12-8.8	1	-,-	4	10
33	2 910 011 168	Socket head cap screw M5x35 DIN 84-5.8	1	-,-	2	-
33	3 603 415 560	Thread-forming tap. Screw B 4,8x45 MM	1	-,-	2	11
34	2 910 021 176	Socket head cap screw DIN 84-BM5x55-8.8	1	-,-	4	-
34	1 613 412 001	Tapping Screw B 4,8x68 MM	1	-,-	2	11
35	2 910 021 163	Socket head cap screw DIN 84-AM5x22-8.8	1	-,-	2	-
36	2 910 021 125	Socket head cap screw DIN 84-AM4x15-8.8	1	-,-	2	10
37	2 910 021 118	Socket head cap screw DIN 84-AM4x8-8.8	1	-,-	2	10
38	2 910 021 116	Socket head cap screw DIN 84-AM4x6-8.8	1	-,-	2	10
39	2 910 021 128	Socket head cap screw DIN 84-AM4x18-8.8	1	-,-	2	12
39	2 910 211 220	Tapping Screw DIN 7971-B 3,9x19	1	-,-	2	11
41	2 916 680 006	Spring Lock Washer DIN 127-B 5	1	-,-	2	10

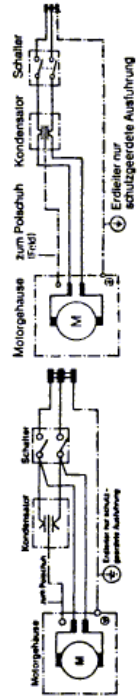
Item	Part Number	Description	Illustration	Price	Quantity	Price Group
42	1 600 150 006	Spring Washer DIN 137-A4	1	-,-	3	13
44	2 910 110 116	Pan head screw DIN 85 AM 4x6-MS	1	-,-	1	10
45	2 916 690 003	Spring Lock Washer DIN 128-A4-FST	1	-,-	2	10
46	2 916 010 410	Plain Washer A 4,3 DIN 125-ST	1	-,-	1	10
60	1 605 806 222	Spindle Bearing	1	-,-	1	-
61	1 603 124 039	Drilling Spindle	1	-,-	1	36
62	1 900 900 201	Deep-Groove Ball Bearing 15x32x8	1	-,-	1	32
63	3 607 030 355	Retaining snap ring	1	-,-	1	26
64	1 600 108 000	Sealing disk	1	-,-	1	11
65	1 600 300 026	Spacer Bushing	1	-,-	1	21
66	1 900 900 303	Deep-Groove Ball Bearing 15x35x11	1	-,-	1	30
67	1 600 102 003	Shim 0,5 MM THICK	1	-,-	1	11
68	2 916 660 014	Spring retaining ring DIN 472 35x1,5 MM	1	-,-	1	13
69	1 600 300 027	Spacer Bushing	1	-,-	1	16
70	1 606 317 045	Cylindrical Gear Z=50	1	-,-	1	38
71	1 606 328 044	Spindle With Gear Z=9/33	1	-,-	1	-
72	1 600 100 631	Shim 0,5 MM THICK	1	-,-	2	11
96	1 600 108 003	Felt Disc	1	-,-	1	11
97	1 600 501 019	Bearing cover	1	-,-	1	25
98	1 600 900 001	Deep-Groove Ball Bearing 17x35x10	1	-,-	1	30
99	1 605 820 096	Bearing Flange	1	-,-	1	50
100	2 910 021 125	Socket head cap screw DIN 84-AM4x15-8.8	1	-,-	3	10
650	1 602 025 022	Auxiliary Handle M14 BLACK	1	-,-	1	26
650	1 602 025 030	Auxiliary Handle M14, Ø37x115 MM BLACK	1	-,-	1	28
651	1 608 571 027	Key Chuck Ø1,5-13 MM, B16	N/A	-,-	1	43
800	3 605 133 012	Handle DARK BLUE	1	-,-	1	31
802	1 607 014 101	Carbon-Brush Set	1	-,-	1	22

Illustration - Type E

**Typ 0 601 101 0..**  
Stand 80-03



Änderungen vorbehalten  
Modifications reserved  
Modifications réservées  
Salvo modificaciones  
Robert Bosch GmbH  
Geschäftsbereich Elektrowerkzeuge  
D 7022 Leinfelden-Echterdingen 1



**A3**

Information subject to change without further notice.