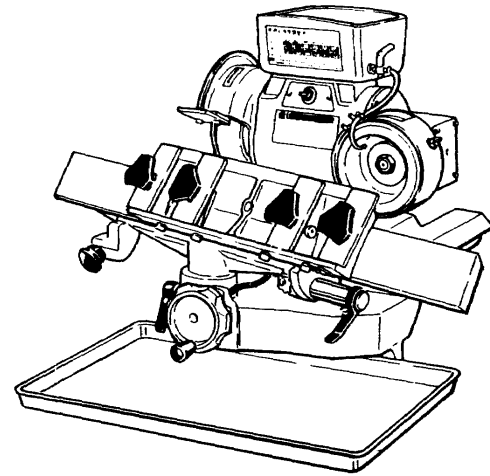
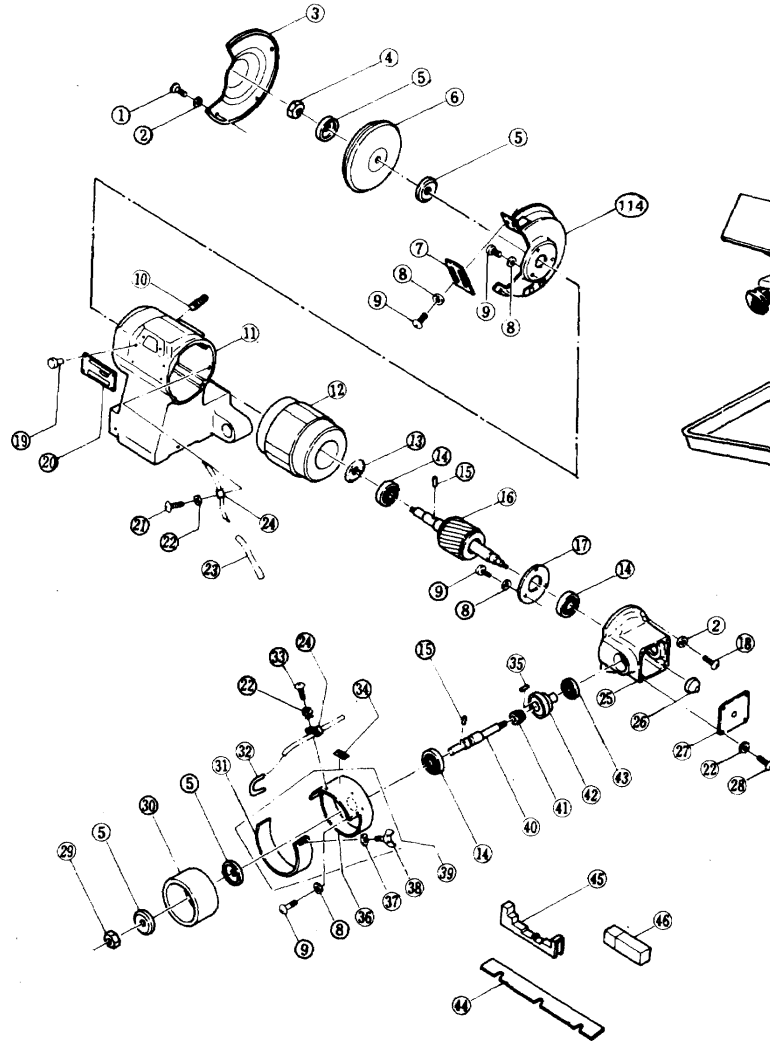




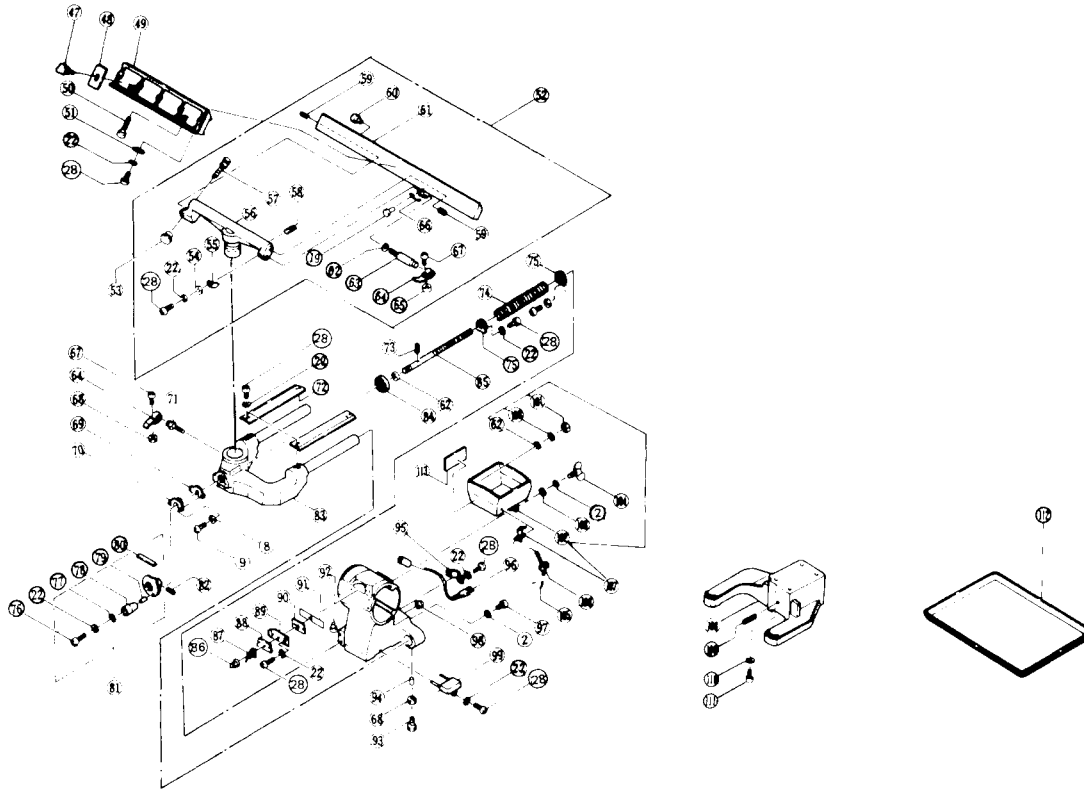
HITACHI

FINISHING GRINDER

Model UA-130



ITEM NO.	PART NO.	NO. USED	DESCRIPTION	SUPPLY Q'TY	ITEM NO.	PART NO.	NO. USED	DESCRIPTION	SUPPLY Q'TY
1	949235	4	Machine Screw M5×8	10	24	948614	2	Nylon Clip	
2	949454	4	Spring Washer M5	10	25	952358	1	Inner Cover	
3	934070	1	Guard Cover		26	952362	1	Friction Wheel (B)	
4	934067	1	Left Hand Nut M12		27	952368	1	Cover (B)	
5	934204	4	Wheel Washer (B)		28	949216	4	Machine Screw M4×10	10
6	952148	1	Rough Grinding Wheel		29	949561	1	Nut M12	10
7	934030	1	Spark Breaker		30	952156	1	Finishing Grinding Wheel	
8	949455	2	Spring Washer M6	10	31	952367	1	Slide Cover	
9	949254	3	Machine Screw M6×10	10	32	952163	1	Pipe	
10	949379	1	Set Screw M5×16	10	33	949214	1	Machine Screw M4×6	10
11	952401Z	1	Housing		34	952411	1	Mark Plate	
12	952400C	1	Stator		35	966413	1	Feather Key 5×5×20	
13	934061	1	Wave Washer		36	952365	1	Wheel Cover	
14	6203VV	2	Ball Bearing 6203VVCMP2S		37	949429	2	Bolt Washer M4	10
15	934203	2	Pin		38	952366	2	Wing Bolt M4×6	
16	952357	1	Rotor		39	952364	1	Wheel Cover Assembly (Includes item 32,36,37,39)	
17	934103	1	Bearing Cover		40	952361	1	Spindle	
18	949241	4	Machine Screw M5×29	10	41	952363	1	Spring	
19	949510	4	Rivet 2.5×4.8	10	42	952359	1	Friction Wheel (A)	
20	—	1	Name Plate		43	6200VV	1	Ball Bearing 6200VVCMP2S	
21	949215	1	Machine Screw M4×18	10	44	952396	1	Plate	
22	949453	1	Spring Washer M4	10	45	952394	3	Gauge	
23	—	1	Insulating Tube AWG 3 / 8×170		46	965094	1	Dresser	



ITEM NO.	PART NO.	NO. USED	DESCRIPTION	SUPPLY Q'TY	ITEM NO.	PART NO.	NO. USED	DESCRIPTION	SUPPLY Q'TY
47	952392	4	Knob (A)		81	952415	1	Knob Assembly (includes Item 22,76-79)	
48	952406	4	Holder Plate		82	949548	1	Roll Pin D4×25	10
49	952391	1	Work Rest		83	952377	1	Feed Block Assembly (includes Item 8,9,69,70)	
50	965078	4	Adjust Screw (C)		84	6300VV	1	Ball Bearing 6300VVCMAV2S	
51	952389	1	Stopper		85	952372	1	Feed Screw	
52	952380	1	Tool Rest Assembly (includes Item 19,22,29,53-67)		86	934195	1	Rubber Cap	
53	952408	1	Knob		87	934193	1	Snap Switch	
54	949423	2	Washer M4	10	88	952413	1	Switch Name Plate	
55	952388	1	Indicator		89	952353	1	Switch Cover	
56	952381	1	Tool Rest Holder		90	952352	1	Switch Packing	
57	952193	1	Special Bolt		91	952355	1	Switch Insulator	
58	952384	2	Hex. Socket Head Screw M5×10		92	959140	4	Connector	10
59	952383	2	Pin (B)		93	949676	2	Bolt M6×20	10
60	952386	1	Pin (A)		94	952186	2	Pin (C)	
61	952382	1	Tool Rest		95	934028	1	Cord Clip	
62	949434	1	Bolt Washer M10	10	96	952412Z	1	Cord	
63	952385	1	Clamp Screw		97	949236	1	Machine Screw M5×10	10
64	952407	1	Clamp Bar		98	—	1	Vinyl Tube	
65	949556	1	Nut M6	10	99	952414	1	Condenser	
66	952387	1	Angular Scale		100	965167	1	Rubber Washer	
67	975610	1	Machine Screw M6×16	10	101	952395	1	Nut PS 1 / 8	
68	949556	1	Nut M6	10	102	952370	1	Tank Assembly (includes Item 62,100,101,107)	
69	975594	1	Coupler		103	949431	2	Bolt Washer M5	10
70	952402Z	1	Indicator (B)		104	949397	2	Wing Bolt M5×10	10
71	952189	1	Clamp Screw		105	—	1	Copper Wire	
72	952378	2	Cover		106	—	1	Vinyl Tube (I.D.5×1T×120)	
73	949499	1	Spring Pin D4×20	10	107	965026	1	Cock	
74	952376	1	Bellows		108	952356	1	Base Ass'y	
75	952185	2	Bellows Holder		109	—	1	Spring Pin D4×20	
76	949224	1	Machine Screw M4×30	10	110	949457	4	Spring Washer M8	10
77	976448	1	Washer (B)		111	949271	4	Machine Screw M8×20	10
78	964860	1	Collar		112	952135	1	Water Guard	
79	952374	1	Collar (B)		113	—	1	Caution Plate	
80	952416	1	Scale		114	952360	1	Wheel Guard (B)	