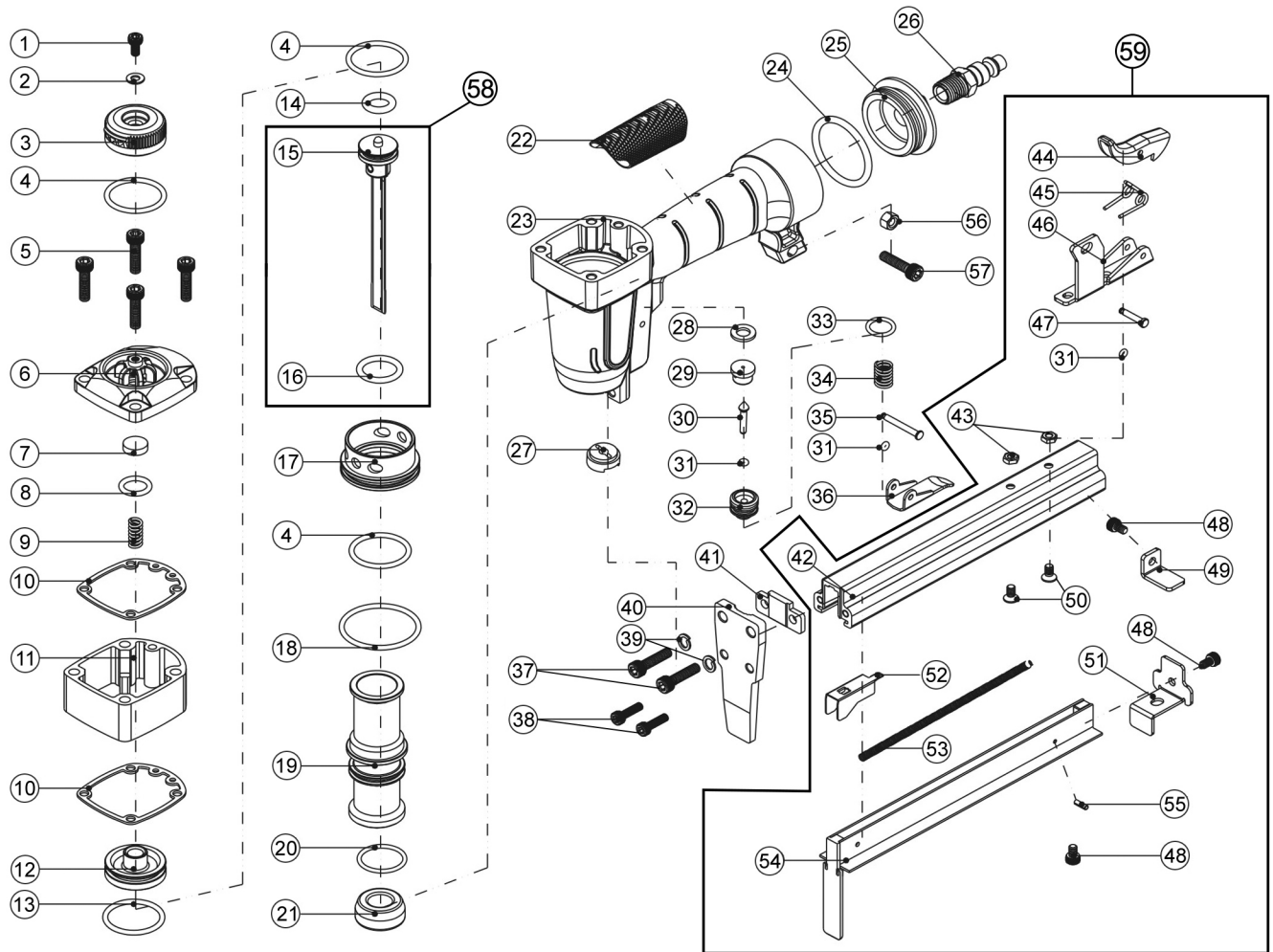


Air Locker

Model # U630L



S.No.	DESCRIPTION	Qty.	S.No.	DESCRIPTION	Qty.	S.No.	DESCRIPTION	Qty.
1	Hex Bolt	1	25	End Cap	1	49	Stopper	1
2	Seal	1	26	Air Plug	1	50	Hex Bolt	2
3	Exhaust Deflector	1	27	Nozzle	1	51	Magazine End Stopper	1
4	O-Ring	3	28	Sealing Washer	1	52	Pusher Unit	1
5	Hex Bolt	4	29	Trigger Valve Stem	1	53	Pusher Spring	1
6	Cylinder Cap	1	30	Trigger Valve Plunger	1	54	Moveable Magazine	1
7	Plain Washer	1	31	O-Ring	2	55	Spring Pin	1
8	O-Ring	1	32	Trigger Valve Cage	1	56	Hex Nut	3
9	Compression Spring	1	33	O-Ring	1	57	Hex Bolt	1
10	Cylinder Cap Gasket	2	34	Compression Spring	1			
11	Body Extension Upper	1	35	Step Pin	1			
12	Head Valve Piston	1	36	Trigger Body	1			
13	O-Ring	1	37	Hex Bolt	2			
14	O-Ring	1	38	Hex Bolt	2			
58	Piston Assembly	1	39	Washer	2			
15	Driver Piston	1	40	Driver Guide	1			
16	O-Ring	1	41	Spacer	1			
17	Support Collar	1	59	Magazine Assembly	1			
18	O-Ring	1	42	Fixed Magazine	1			
19	Cylinder	1	43	Hex Nut	2			
20	O-Ring	1	44	Magazine Click Latch	1			
21	Bumper	1	45	Torsion Spring	1			
22	Handle Grip	1	46	Magazine Holder	1			
23	Tool Body	1	47	Step Pin	1			
24	O-Ring	1	48	Hex Bolt	1			