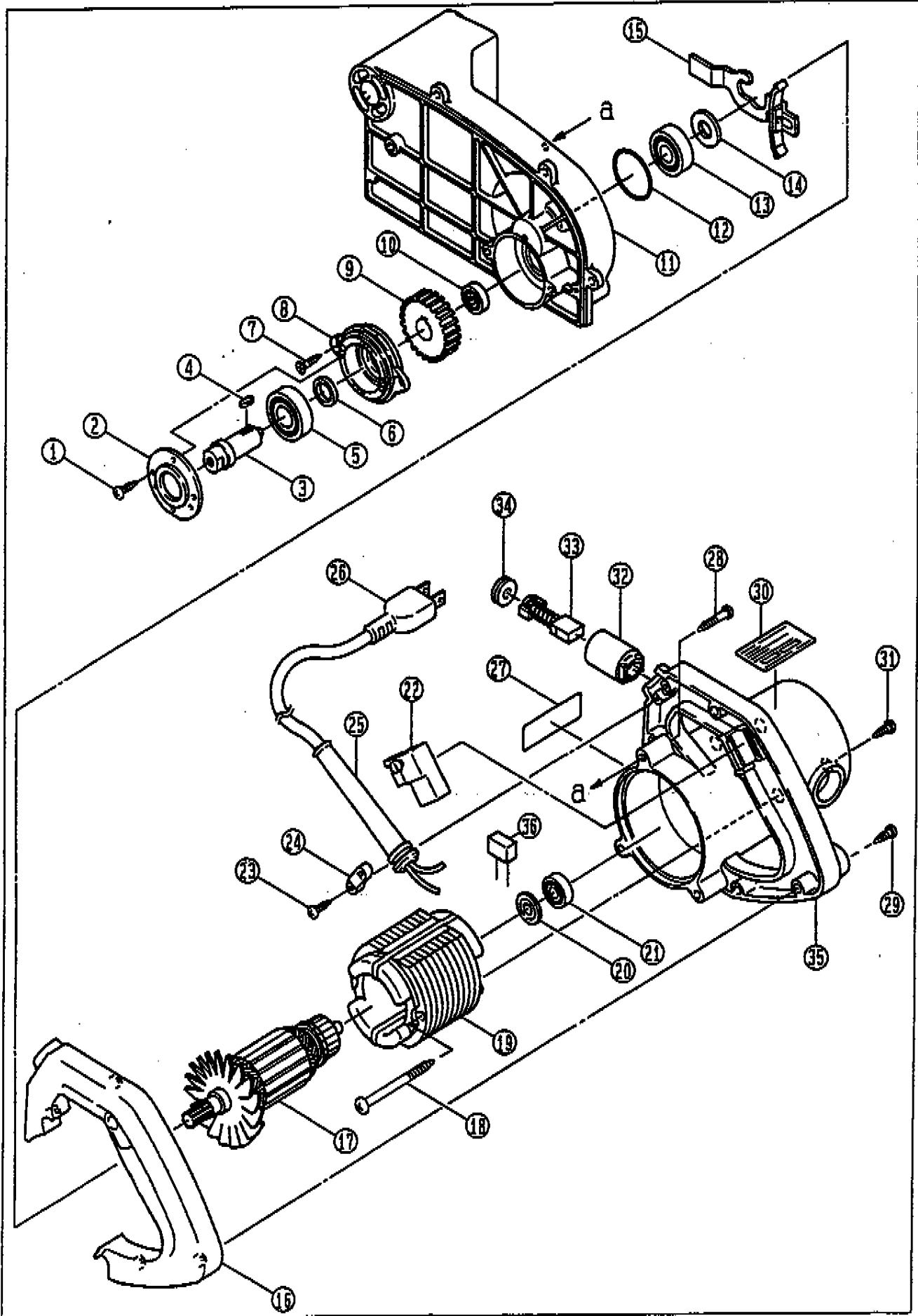


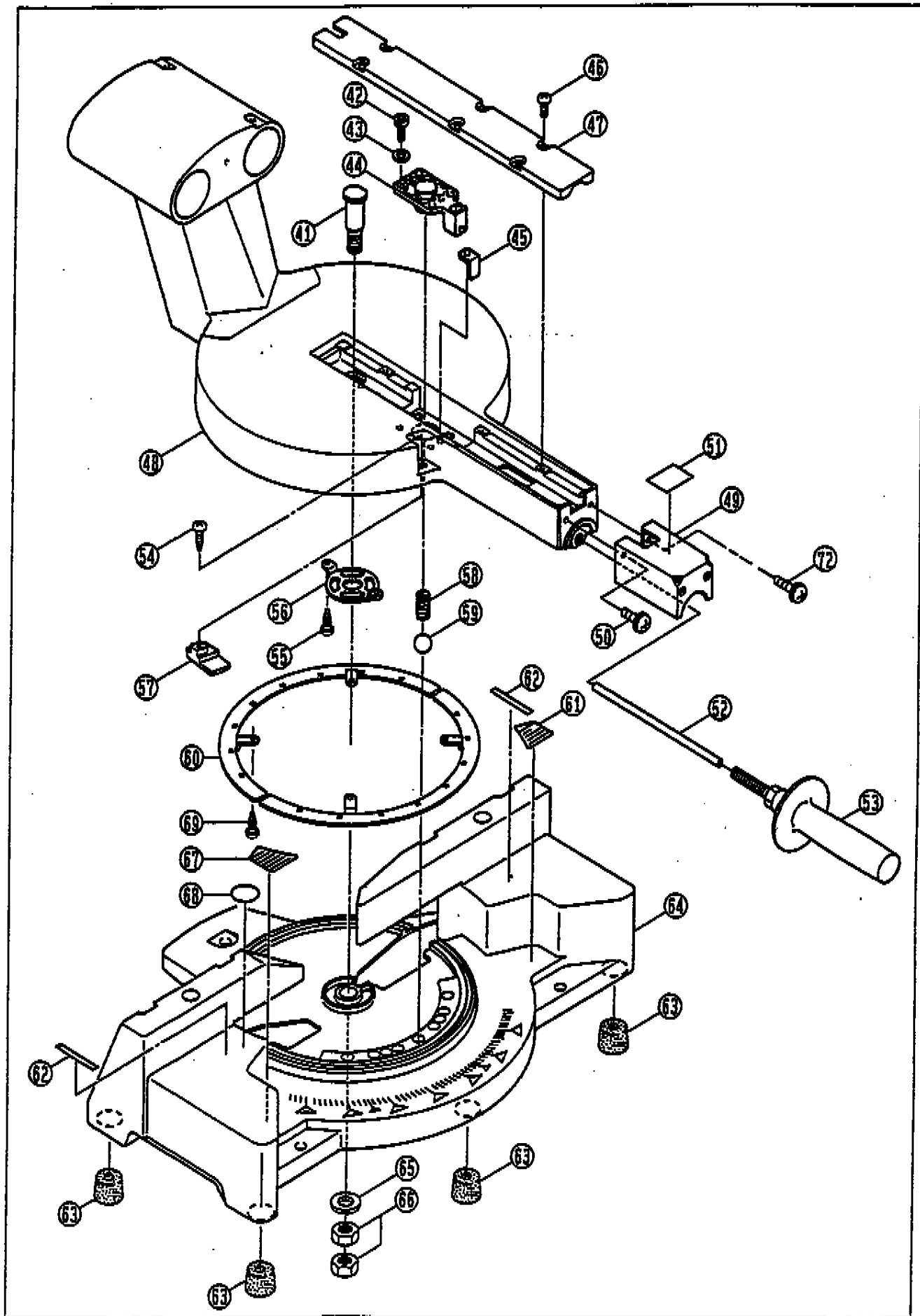
COMPOUND MITER SAW

TSS-220



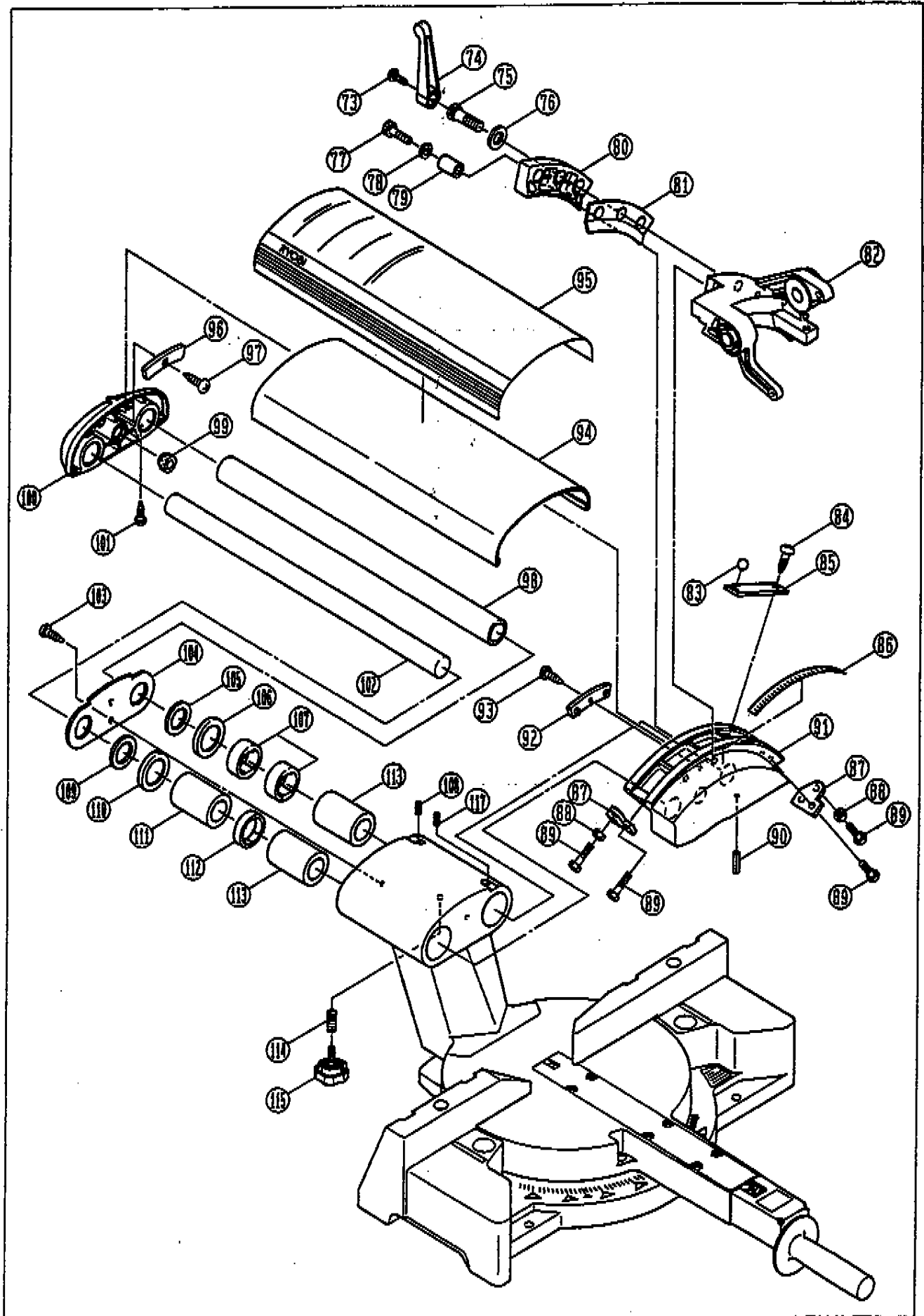
COMPOUND MITER SAW

TSS-220



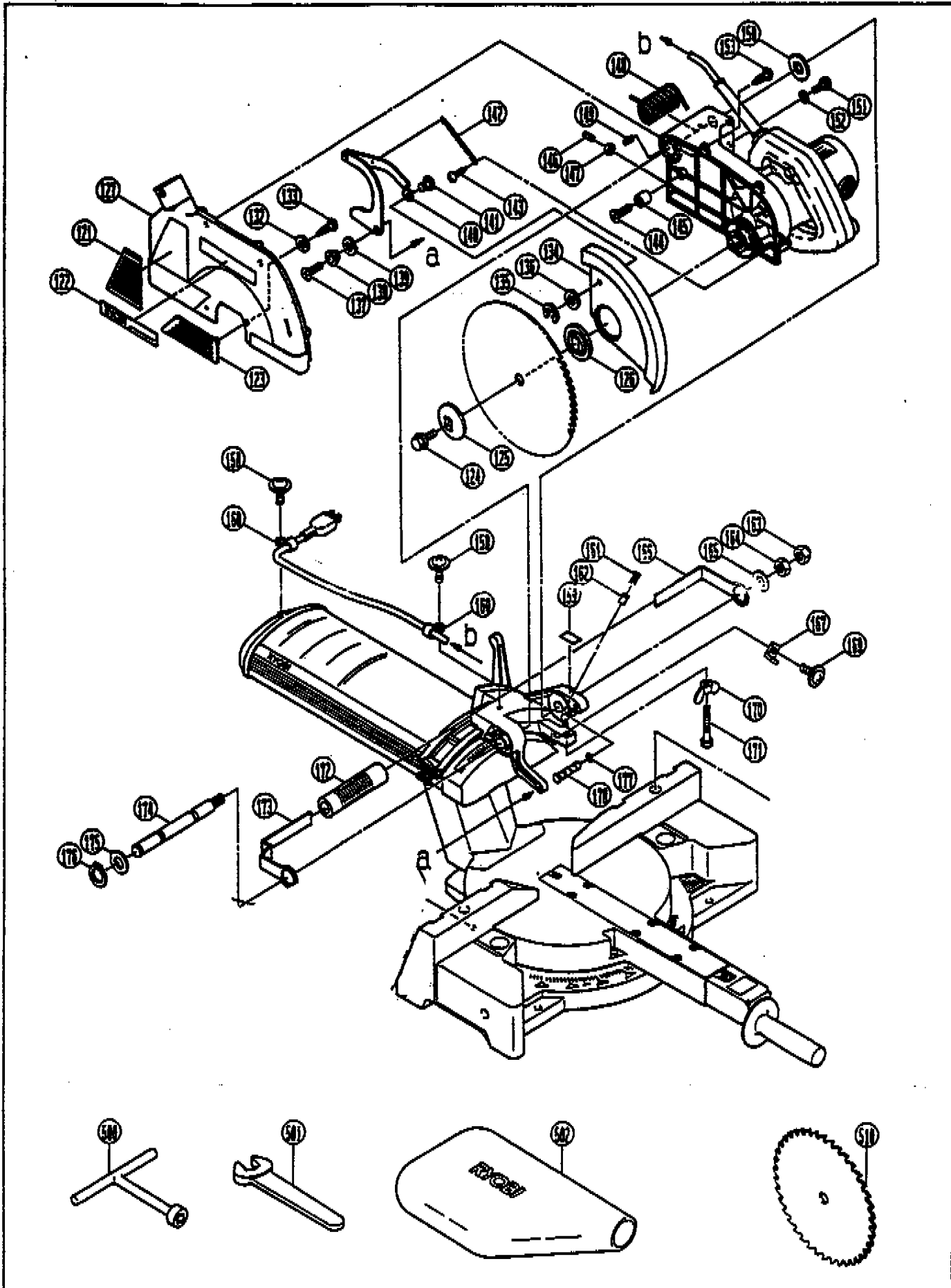
COMPOUND MITER SAW

TSS-220



COMPOUND MITER SAW

TSS-220



PARTS LIST FOR AFTER SALES SERVICE MODEL T9S220

REF	PART NO.	DESCRIPTION	QTY	REF	PART NO.	DESCRIPTION	QTY
1	9040310	TAPPING SCREW (S) M3X10	4	55	9040408	TAPPING SCREW (S) M4X8	2
2	6154335	BEARING PLATE	1	56	6154832	SLIDER	1
3	6110235	GEAR SHAFT	1	57	6360478	INDICATOR	1
4	6100226	PARALLEL KEY	1	58	6160598	SPRING	1
5	1750001	BALL BEARING #6202LLU	1	59	6290197	STEEL BALL 12.7MM	1
6	6900915	COLLAR	1	60	6154837	SLIDER	2
7	9180512	FLAT TAPPING SCREW (S) M6X12	2	61	6921669	LABEL	1
8	6820914	GEAR CASE COVER	1	62	6921691	LABEL	2
9	6200800	FINAL GEAR	1	63	6370041	FOOT	7
10	969305036	BALL BEARING #626LLB	1	64	6850807	BASE	1
11	6821025	GEAR CASE	1	65	9571200	WASHER	1
12	9780032	O-RING 5-32	1	66	9301200	HEX NUT M12	2
13	9826201	BALL BEARING #6201LLB	1	67	6921688	LABEL	1
14	6900791	WASHER	1	68	3920017	WARNING LABEL	2
15	6090126	STOPPER	1	69	9040408	TAPPING SCREW (S) M4X8	4
16	6831959	HANDLE COVER	1	72	9020912	PHILLIPS PAN SCREW M5X12	1
17	6032787	ARMATURE	1	73	9020410	PHILLIPS PAN SCREW M4X10	1
18	9060560	TAPPING SCREW (B) M5X60	2	74	6832136	LEVER	1
19	6501946	FIELD COIL	1	75	6131296	TIGHTENING BOLT	1
20	6930108	DUST SEAL	1	77	9220830	HEX SOCKET HEAD BOLT M8X30	2
21	622274001	BALL BEARING #608LLB	1	78	9570800	WASHER	2
22	6550 659	TRIGGER SWITCH	1	79	6900896	COLLAR	2
23	9060414	TAPPING SCREW (B) M4X14	2	80	6190399	PLATE	1
24	6580067	CORD CLAMP	1	81	6154854	SLIDER	1
25	6660101	CORD HOLDER	1	82	6320346	HOLDER	1
26	6420276	CORD ASS'Y AWG#18X2X2.5	1	83	6290059	STEEL BALL 5/16"	1
27	6921195	INFORMATION LABEL	1	84	9040408	TAPPING SCREW (S) M4X8	1
28	9040545	TAPPING SCREW (S) M5X45	3	85	6154877	PLATE SPRING	2
29	9060420	TAPPING SCREW (B) M4X20	4	86	6850284	SCALE	1
30	6913785	NAME PLATE	1	87	6154829	PLATE	2
31	9280405	CLAMP SCREW M4X5	2	88	9300500	HEX NUT M5	2
32	6570050	BRUSH HOLDER	2	89	9190515	HEX HEAD BOLT M6X18	6
33	6541203	CARBON BRUSH SET	1	90	9408016	SPRING PIN 6X16	1
34	6570004	BRUSH CAP	2	91	6320347	HOLDER	1
35	6802236	MOTOR HOUSING	1	92	6360481	HOLDER	1
41	6100912	FULCRUM BAR	1	93	9040410	TAPPING SCREW (S) M4X10	1
42	9220815	HEX SOCKET HEAD BOLT M6X16	4	94	6881705	SLIDE COVER	1
43	9550600	SPRING WASHER M6	4	95	6921672	LABEL	1
44	6320349	STOPPER BLOCK	1	96	6360481	HOLDER	1
45	6154830	PLATE	1	97	9040410	TAPPING SCREW (S) M4X10	1
46	9000815	PHILLIPS PAN SCREW M5X15	6	98	6100910	SLIDE SHAFT	1
47	6360506	PLATE	1	99	6370016	RUBBER STOPPER	2
48	6320345	TURN TABLE	1	100	6320348	HOLDER	1
49	6154876	TABLE	1	101	9040520	TAPPING SCREW (S) M5X20	1
50	9020512	PHILLIPS PAN SCREW M5X12	1	102	6100816	SLIDE SHAFT	1
51	6921693	CAUTION LABEL	1	103	9040510	TAPPING SCREW (S) M5X10	2
52	6100911	SHAFT	1	104	6154835	HOLDER COVER	2
53	6081166	AUX HANDLE	1	105	6900899	FELT WASHER	2
54	9060520	TAPPING SCREW (B) M5X20	1	106	6154836	FELT COVER	2

PARTS LIST FOR AFTER SALES SERVICE MODEL TSS220

REF	PART NO.	DESCRIPTION	QTY	REF	PART NO.	DESCRIPTION	QTY
108	9280614	CLAMP SCREW M6X14	2	150	8900786	THRUST WASHER	1
109	6900899	FELT WASHER	2	151	9220512	HEX SOCKET HEAD BOLT M6X12	1
110	6154836	FELT COVER	2	152	9560500	SPRING WASHER M5	1
111	6750102	SLIDE BEARING	1	153	9060514	TAPPING SCREW (B) M5X14	2
112	6154878	SPACER	1	156	9060514	TAPPING SCREW (B) M5X14	1
113	6750102	SLIDE BEARING	2	158	9370410	CUP SCREW (S) M4X10	2
114	6180035	COMPRESSION SPRING	1	159	6921671	LABEL	1
115	6131270	KNOB BOLT M6X20	1	160	6590106	CORD CLAMP	2
117	9280608	CLAMP SCREW M6X8	1	161	9280614	CLAMP SCREW M6X14	2
120	9040406	TAPPING SCREW (S) M4X6	1	162	6120379	KNOCK PIN	2
121	6921627	CAUTION LABEL	1	163	9361200	DOMED CAP NUT M12	1
122	6921674	"RYOBI" MARK	1	164	9301200	HEX NUT M12	1
123	6881696	COVER	1	165	9571200	WASHER	1
124	6130223	HEX HEAD BOLT (L.H.T.) M6X18	1	166	6154834	HANDLE HOLDER	1
125	6940488	OUTER FLANGE	1	167	6360482	INDICATOR	1
126	6940487	INNER FLANGE	1	169	9370410	CUP SCREW (S) M4X10	1
127	6881699	SAFETY COVER	1	170	9340800	WING NUT M8	1
132	9570400	WASHER	1	171	9190850	HEX HEAD BOLT M8X50	1
133	9060408	TAPPING SCREW (B) M4X8	1	172	6830453	HANDLE COVER	1
134	6881708	LOWER COVER	1	173	6154833	HANDLE HOLDER	1
135	9500500	RETAINING RING E-5	1	174	6100913	FULCRUM BAR	1
136	9570600	WASHER	1	175	9571600	WASHER	1
137	9140514	PHILLIPS FLAT SCREW M5X14	1	176	9511600	RETAINING RING S-16	1
138	6900895	COLLAR	1	177	9780005	O-RING S-5	1
139	6900916	WAVE WASHER	1	178	6120354	STOPPER PIN	1
140	6090280	ARM	1	--	6530209	FASTEN CONNECTOR	1
141	6120285	LEVER PIN	1	--	6560002	CONNECTOR	1
142	6180394	TENSION SPRING	1	--	9671218	LEAD WIRE	1
143	9040408	TAPPING SCREW (S) M4X8	1	194	9300600	HEX NUT M6	1
144	9140630	PHILLIPS FLAT SCREW M6X20	1			STANDARD ACCESSORIES	
145	6900897	COLLAR	1	500	6240063	"T" TYPE WRENCH 9	1
146	9280510	CLAMP SCREW M5X10	1	501	6240533	SINGLE-END WRENCH 17	1
147	9300500	HEX NUT M5	1	502	6073433	DUST BAG	1
148	6180597	SPRING	1	510	6852684	8-1/2" SAW BLADE	1

SERVICE NOTES: