



BOSCH

Demolition Hammer

TSH 5000 Plus | 3 611 C38 180

Table of Content

Spare parts list.....	2
Illustration - Type.....	5

Demolition Hammer | TSH 5000 Plus | 3 611 C38 180

Spare parts list

Item	Part Number	Description
1	1 619 P10 301	Motor Housing
2	1 619 P14 877	Field
4	1 619 P08 754	Switch
5	1 614 460 075	Power supply cord CN 4,15m 2 x 1,0mm H07 RN-F
6	1 610 703 053	Grommet Ø9,7-Ø12x89 MM
7	1 601 302 018	Fastening Clamp
13	1 610 900 026	groove ball bearing 8x24x8
14	1 610 905 041	groove ball bearing 12x32x10
15	1 616 610 085	Fan
16	1 619 P07 754	Brush Holder
19	2 910 211 019	Tapping Screw DIN 7971-ST3,9x16-F
22	1 619 P08 758	Protection Sleeve
23	1 619 P13 266	Toolholder
25	1 903 230 016	Ball 10 MM III DIN 5401ST
27	1 619 P09 017	Air-Deflector Ring
28	1 619 P08 759	Compression Spring
30	1 619 P08 760	Supporting Disc
32	1 619 P08 761	Damping Ring
34	1 610 516 013	Flange
35	1 619 P13 230	Hammer Pipe
43	1 619 P08 767	Fan Cover
53	1 619 P08 768	Washer
57	1 619 P08 772	Striker
57	1 619 P13 267	Striker
69	1 610 099 004	Retaining Bracket
72	1 619 P13 629	Eccentric Cog Wheel
73	1 619 P08 776	Housing Cover
74	1 619 P08 777	Holding-Down-Appliance
75	1 619 P08 778	Handle
76	1 613 435 015	Torx Oval-Head Screw M5x12-TORX,T25 SILVER
81	1 619 P08 780	Handle Cover
95	1 610 210 173	O-Ring 32,0x1,5 MM
104	1 619 P08 783	Seal Ring
111	1 610 290 064	Bushing

Demolition Hammer | TSH 5000 Plus | 3 611 C38 180

Spare parts list

Item	Part Number	Description		
112	1 613 300 008	Hex Nut	DIN 936-M8x1-8	
113	1 613 435 009	Tapping Screw	ST-4,8x57,5-TORX,T20	
117	1 610 913 004	Needle-Roller Assembly	Ø13 MM	
129	1 619 P10 302	Cover Sleeve		
138	1 619 P08 785	Sealing Frame		
141	1 610 290 066	Rotary shaft lip seal		
143	1 619 P08 752	Retainer		
145	1 610 119 012	Spring retaining ring		
154	2 916 660 019	Spring retaining ring	DIN 472-42x1,75MM	
160	1 619 P08 787	Damping Ring		
161	1 619 P08 788	Damping Ring		
162	1 619 P08 789	O-Ring		
163	1 610 290 065	Seal Ring		
165	1 619 P08 791	O-Ring		
168	1 619 P08 792	O-Ring		
171	1 613 435 014	Torx Oval-Head Screw	M5x16-TORX,T25 SILVER	
172	1 613 435 013	Torx Oval-Head Screw	M6x30-TORX,T30 SILVER	
173	1 619 P01 380	Screw	4x14	
174	1 613 435 012	Torx Oval-Head Screw	M4,8x25-TORX,T25 SILVER	
175	1 619 P00 228	Screw		
177	1 603 435 051	Tapping Screw	ST3,9x32	SILVER
178	1 619 P10 286	Connecting Cable		
179	1 619 P07 815	Screw		
183	1 619 P09 862	Felt Seal		
803	1 619 P09 697	Armature	230V	
811	1 617 014 138	Carbon-Brush Set		
817	1 614 652 004	Spiral Spring		
821	1 619 P14 031	Dust Cap		
823	1 619 P09 699	Toolholder		
839	1 619 P09 700	Gear Housing		
840	1 619 P09 701	Impact Mechanism Housing		
841	1 619 P09 707	Striker Pin		
854	1 619 P09 702	Stop Disc		

Spare parts list

Item	Part Number	Description
856	1 619 P09 703	Hammer Piston
898	1 619 P12 628	Wear and Tear Part Set
84	1 602 025 07H	Auxiliary Handle
86	1 613 490 002	T-Head Bolt M8x40 MM
87	1 611 316 019	Clamping Band Ø62 MM
884	1 612 025 055	Auxiliary Handle Ø62 MM BLACK
885	1 618 040 074	Support clamp
886	1 617 000 459	Auxiliary Handle M8 BLACK

Illustration - Type - E

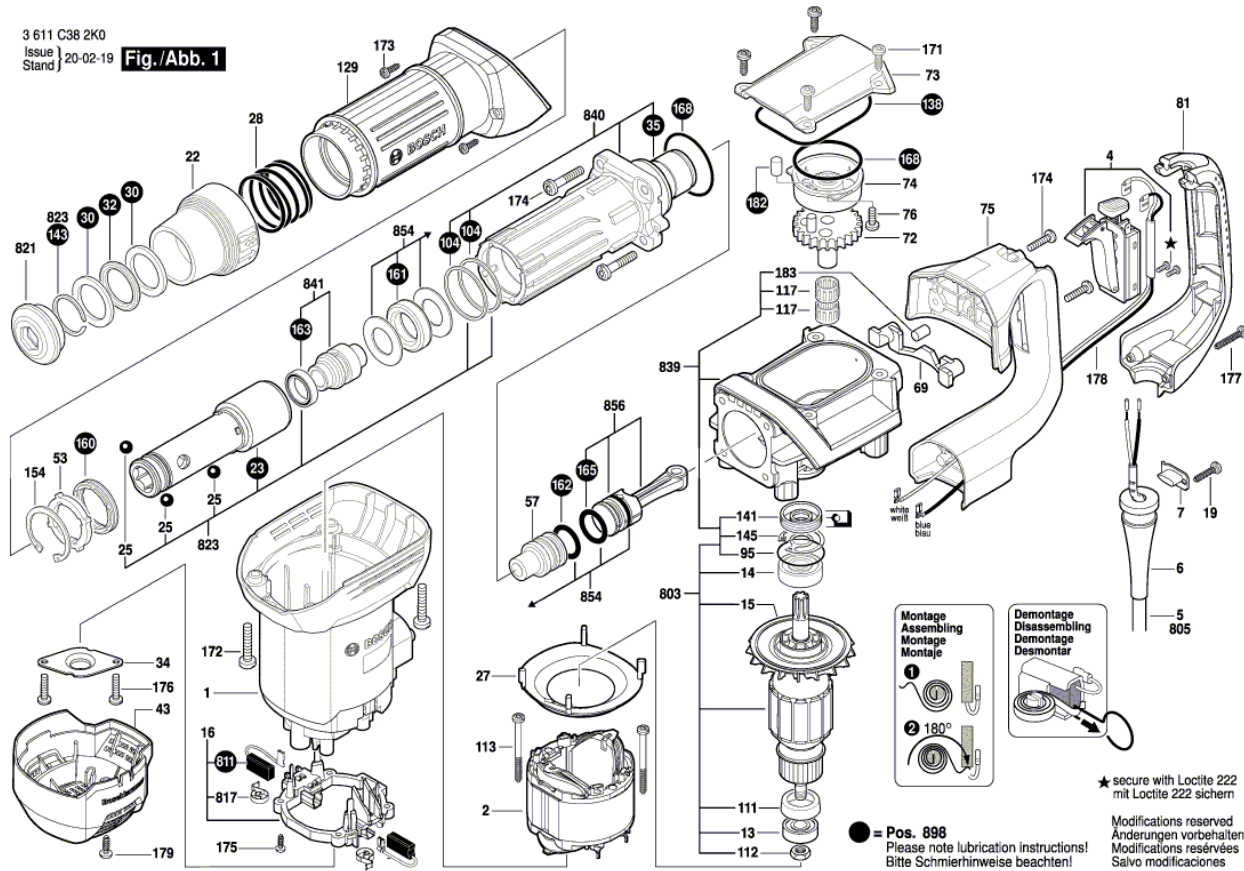
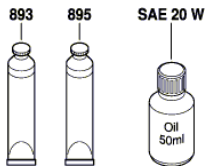
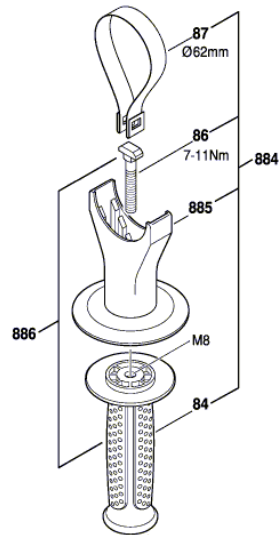


Illustration - Type - E

3 611 C38 2K0
Issue
Stand } 20-02-18 **Fig./Abb. 2**



Modifications reserved
Änderungen vorbehalten
Modifications réservées
Salvo modificaciones