



**BOSCH**

# Demolition Hammer

TSH 5000 | 3 611 C38 080

---

## Table of Content

Spare parts list.....	2
Illustration - Type.....	5

## Spare parts list

Item	Part Number	Description
1	1 619 P10 301	Motor Housing
2	1 619 P14 877	Field
4	1 619 P08 754	Switch
5	1 614 460 075	Power supply cord CN 4,15m 2 x 1,0mm H07 RN-F
6	1 610 703 053	Grommet Ø9,7-Ø12x89 MM
7	1 601 302 018	Fastening Clamp
13	1 610 900 026	groove ball bearing 8x24x8
14	1 610 905 041	groove ball bearing 12x32x10
15	1 616 610 085	Fan
16	1 619 P07 754	Brush Holder
19	2 910 211 019	Tapping Screw DIN 7971-ST3,9x16-F
22	1 619 P08 758	Protection Sleeve
24	1 610 508 043	Protective Cap
25	1 903 230 016	Ball 10 MM III DIN 5401ST
27	1 619 P09 017	Air-Deflector Ring
28	1 619 P08 759	Compression Spring
30	1 619 P08 760	Supporting Disc
32	1 619 P08 761	Damping Ring
34	1 610 516 013	Flange
43	1 619 P08 767	Fan Cover
53	1 619 P08 768	Washer
57	1 619 P08 772	Striker
69	1 610 099 004	Retaining Bracket
72	1 619 P13 629	Eccentric Cog Wheel
73	1 619 P08 776	Housing Cover
74	1 619 P08 777	Holding-Down-Appliance
75	1 619 P08 778	Handle
76	1 613 435 015	Torx Oval-Head Screw M5x12-TORX,T25 SILVER
81	1 619 P08 780	Handle Cover
95	1 610 210 173	O-Ring 32,0x1,5 MM
104	1 619 P08 783	Seal Ring
111	1 610 290 064	Bushing
112	1 613 300 008	Hex Nut DIN 936-M8x1-8
113	1 613 435 009	Tapping Screw ST-4,8x57,5-TORX,T20

# Demolition Hammer | TSH 5000 | 3 611 C38 080

## Spare parts list

Item	Part Number	Description	
117	1 610 913 004	Needle-Roller Assembly	Ø13 MM
129	1 619 P08 784	Cover Sleeve	
138	1 619 P08 785	Sealing Frame	
141	1 610 290 066	Rotary shaft lip seal	
143	1 619 P08 752	Retainer	
145	1 610 119 012	Spring retaining ring	
154	2 916 660 019	Spring retaining ring	DIN 472-42x1,75MM
160	1 619 P08 787	Damping Ring	
161	1 619 P08 788	Damping Ring	
162	1 619 P08 789	O-Ring	
163	1 610 290 065	Seal Ring	
165	1 619 P08 791	O-Ring	
168	1 619 P08 792	O-Ring	
171	1 613 435 014	Torx Oval-Head Screw SILVER	M5x16-TORX,T25
172	1 613 435 013	Torx Oval-Head Screw SILVER	M6x30-TORX,T30
173	1 619 P01 380	Screw	4x14
174	1 613 435 012	Torx Oval-Head Screw SILVER	M4,8x25-TORX,T25
175	2 912 401 018	Tapping Screw	DIN7981-ST3,9x13-C-Z
177	1 603 435 051	Tapping Screw	ST3,9x32 SILVER
178	1 604 412 069	Connecting Cable	
179	1 619 P07 815	Screw	
183	1 619 P09 862	Felt Seal	
803	1 619 P09 697	Armature	230V
811	1 617 014 138	Carbon-Brush Set	
817	1 614 652 004	Spiral Spring	
823	1 619 P09 699	Toolholder	
839	1 619 P09 700	Gear Housing	
840	1 619 P09 701	Impact Mechanism Housing	
841	1 619 P09 707	Striker Pin	
854	1 619 P09 702	Stop Disc	
856	1 619 P09 703	Hammer Piston	
897	1 619 P09 706	Wear and Tear Part Set	
84	1 602 025 07H	Auxiliary Handle	

Spare parts list

Item	Part Number	Description
85	1 619 P09 926	Support clamp
86	1 613 490 002	T-Head Bolt M8x40 MM
87	1 611 316 019	Clamping Band Ø62 MM
884	1 612 025 055	Auxiliary Handle Ø62 MM BLACK
886	1 617 000 459	Auxiliary Handle M8 BLACK

Illustration - Type - E

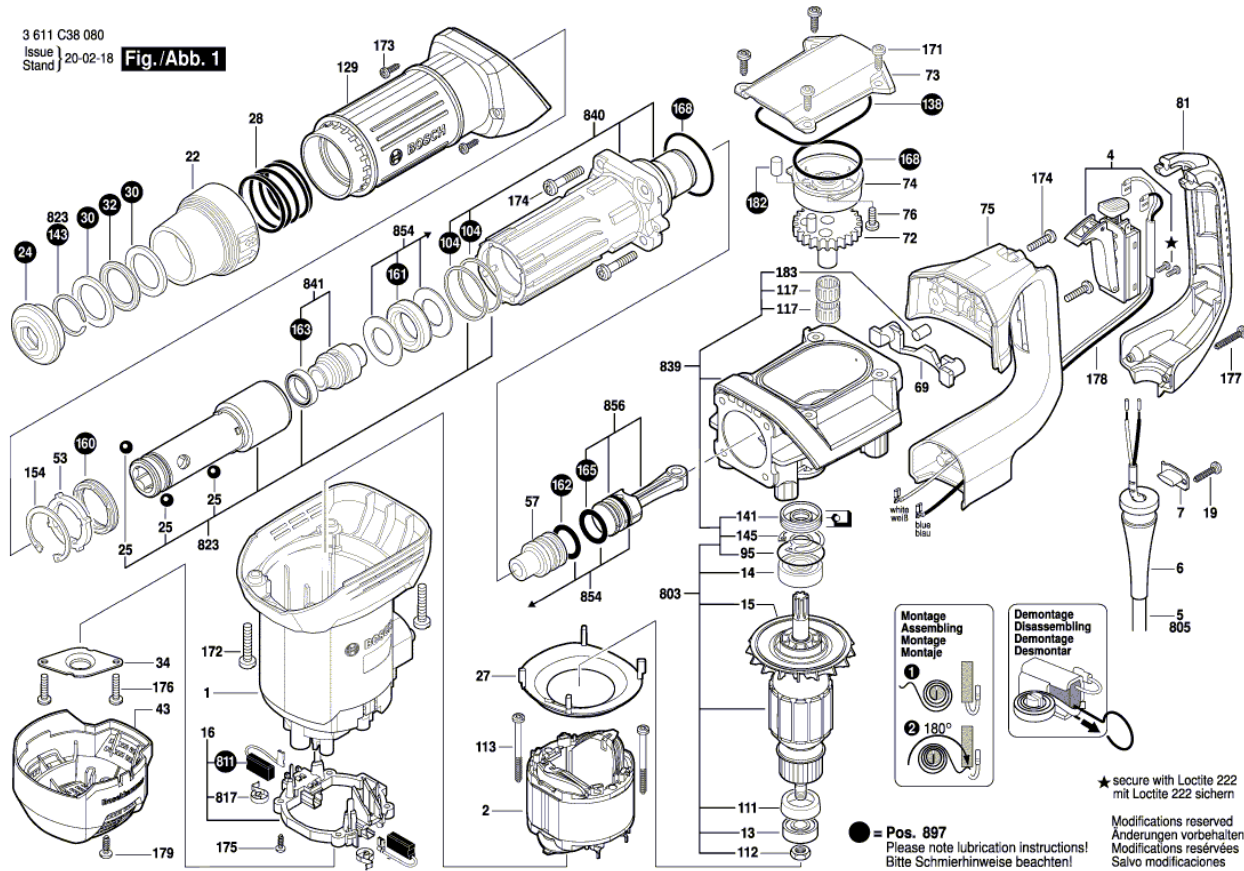
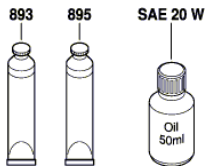
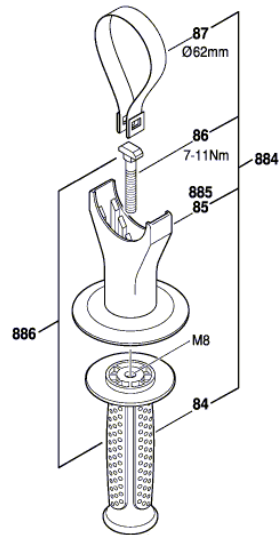


Illustration - Type - E

3 611 C38 080  
Issue  
Stand } 20-02-18 **Fig./Abb. 2**



Modifications reserved  
Änderungen vorbehalten  
Modifications réservées  
Salvo modificaciones