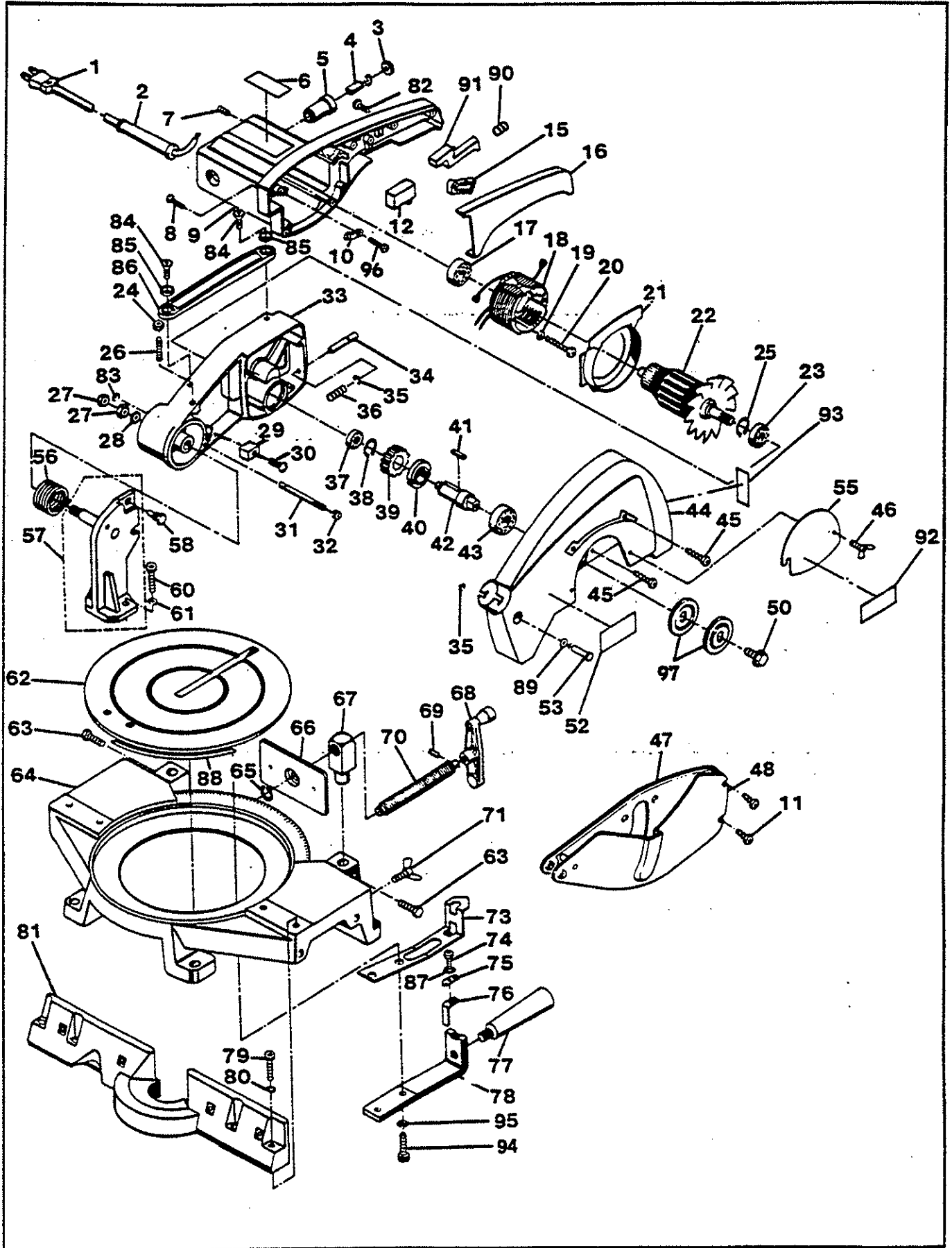


# SUPER MITER SAW

TS-254, TS-254II



## PARTS LIST FOR AFTER SALES SERVICE MODEL TS254, TS254II

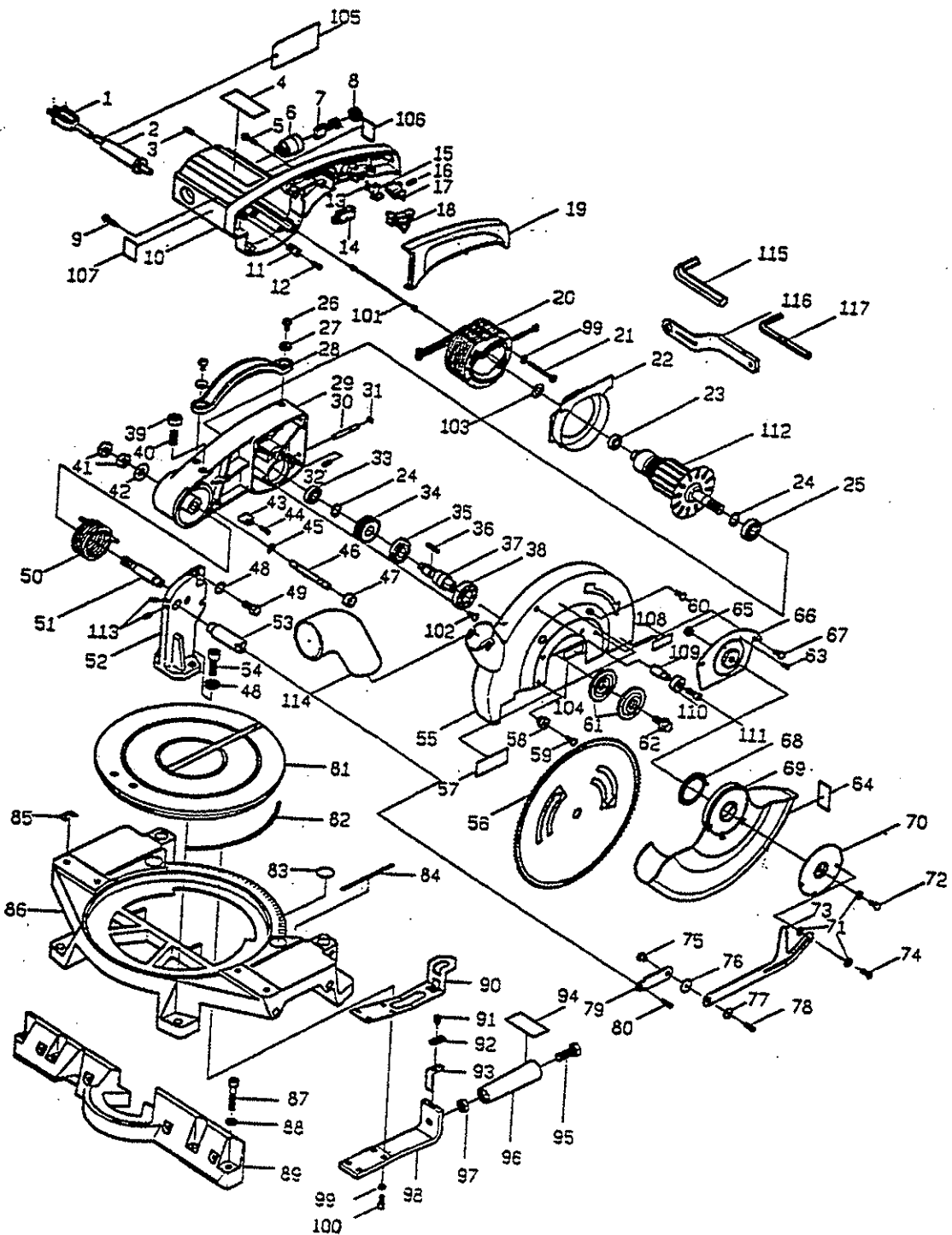
F	PART NO.	DESCRIPTION	MODEL	QTY	REF	PART NO.	DESCRIPTION	QTY
1	69275006	CORD		1	52	3920026	LOGO PLATE	1
2	6560047	CORD HOLDER		1	56*	663547001	TORSION SPRING	1
3	6570107	BRUSH CAP		2	57	3090001	BRACKET ASSEMBLY	1
4	6540073	CARBON BRUSH SET		1	58	6130257	LOCK BOLT	1
5	6570097	BRUSH HOLDER		2	60	9221025	HEX SOCKET HEAD BOLT M10X25	2
6	3910030	DATA PLATE		1	61	9551000	SPRING WASHER M10	3
7	9280510	CLAMP SCREW M5X10		2	62	3320001	TURN TABLE	1
8	9040525	TAPPING SCREW (S) M5X25		4	63	9190812	* HEX HEAD BOLT M8X12	2
9	3800012	MOTOR HOUSING	TS254II	1	64	3850008	BASE PLATE	1
—	3800010	MOTOR HOUSING	TS254	1	65	9511200	* RETAINING RING S-12	1
10	6560057	CORD CLAMP		1	66	3150002	* CLAMP PLATE	1
11	9060414	TAPPING SCREW (B) M4X14		3	67	6150326	* VISE HOLDER	1
12	3550001	TRIGGER SWITCH		1	68	6831455	* HANDLE ASSEMBLY	1
15	3360003	TRIGGER		1	69	9404018	* SPRING PIN	1
16	3830005	HANDLE COVER		1	70	6130258	* VISE SCREW	1
17	969235005	BALL BEARING #6200LLH		1	71	9240625	* WING BOLT	2
18	971200001	FIELD ASSEMBLY	TS254II	1	73	3150003	LOCK PLATE	1
—	3500001	FIELD ASSEMBLY	TS254	1	74	9020508	PHILLIPS PAN SCREW M5X8	1
19	9550500	SPRING WASHER M5	TS254II	2	75	3950002	INDEXING PLATE	1
—	9550400	SPRING WASHER M5	TS254	2	76	6150377	PLATE	1
20	9070555	TAPPING SCREW (B) M5X55	TS254II	2	77	3060265	LOCK HANDLE	1
—	9060460	TAPPING SCREW (B) M4X60	TS254	2	78	3830004	CONTROL ARM	1
21	6490064	FAN CASING		1	79	9220845	HEX SOCKET HEAD BOLT M8X45	4
22	971042001	ARMATURE	TS254II	1	80	9550800	SPRING WASHER M8	4
—	160005	ARMATURE	TS254	1	81	3950001	FENCE	1
23	99235004	BALL BEARING #6002LLH		1	82	9060425	TAPPING SCREW (B) M4X25	3
24	9321000	HEX NUT M10		1	83	9500600	RETAINING RING E-6	1
25	622167007	RETAINING RING		1	84	9130615	PHILLIPS OVAL SCREW M6X15	2
26	9281020	CLAMP SCREW M10X20		1	85	6150245	HANDLE AUX. WASHER	2
27	9321200	HEX NUT M12		2	86	6830225	AUXILIARY HANDLE	1
28	9571200	WASHER		1	87	9570500	WASHER	1
29	6370039	RUBBER SLEEVE	TS254	1	88	6150368	SLIDE PLATE	4
30	9040416	TAPPING SCREW (S) M4X16	TS254	1	89	9560600	WASHER	1
31	6120068	STOP PIN		1	90	3180002	COMPRESSION SPRING	1
32	3900001	"C" RING		1	91	3360002	LOCK OFF LEVER	1
33	3800008	FRAME		1	92	3920016	WARNING LABEL	1
34	6120063	SPINDLE LOCK BUTTON		1	93	3920015	DANGER LABEL	1
35	9500400	RETAINING RING E-4		2	94	9220620	HEX SOCKET HEAD BOLT M6X20	4
36	6180008	COMPRESSION SPRING		1	95	9550600	SPRING WASHER M6	4
37	989377002	BALL BEARING #6000ZZ		1	96	9060412	TAPPING SCREW (B) M4X12	2
38	9512000	RETAINING RING S-20		1	97	6940103	BLADE WASHER	2
39	6200042	FINAL GEAR		1				
40	6900150	LOCK RING		1				
<b>STANDARD ACCESSORIES</b>								
41	6100509	PARALLEL KEY		1	502	6240250	BLADE WRENCH	1
42	6110047	GEAR SHAFT		1	503	9700500	5MM HEX KEY	1
43	9846004	BALL BEARING #6004LH2		1	504	9700800	8MM HEX KEY	1
44	3880002	UPPER BLADE GUARD		1	505	3650003	CROSSCUT BLADE	1
45	9040512	TAPPING SCREW (S) M5X12		4	506	6360046	DUST GUIDE	1
46	9240406	WING BOLT M4X6		2	—	6290012	SHIM AS NEEDED	
47	880250	LOWER BLADE GUARD (A)		1				
48	880253	LOWER BLADE GUARD (B)		1				
50	6130267	ARBOR BOLT M6X20		1			SWITCH WIRING SAME AS TS-251U	

### SERVICE NOTES:

\* PN 6180050 may be used after serial #79695 or on previously modified saws.

# TS254T2

# 10" SUPER MITER SAW



**PARTS LIST FOR AFTER SALES SERVICE  
MODEL TS254T2**

REF	PART NO.	DESCRIPTION	QTY	REF	PART NO.	DESCRIPTION	QTY
	588003001	CORD ASSY.	1	47	588023001	STOP PIN CAP	1
	588004007	CORD HOLDER	1	48	380310182	SPRING WASHER	3
3	180030801	CLAMP SCREW M5 X 10	2	49	588058006	LOCK BOLT	1
4	588008001	NAME PLATE	1	50	588049007	TENSION SPRING	1
5	900030402	SCREW M4 X 25	3	51	588051004	PIVOT SHAFT	1
6	588007005	BRUSH HOLDER	2	52	588057000	BRACKET	1
7	588006009	CARBON BRUSH	2	53	588040003	CONNECT SHAFT	1
8	588005003	BRUSH CAP	2	54	700310025	HEX HD BOLT M10X25	2
9	800130802	BOLT M5 X M24	4	55	588033006	UPPER SAFETY GUARD	1
10	588002005	MOTOR HOUSING	1	56	588036004	SAW BLADE 30 T CARBIDE	1
11	200023000	CORD CLAMP	1	57	588068001	BRAND LABEL	1
12	900030401	SCREW M4X12	2	58	588034002	RUBBER STOP	1
13	588018006	SWITCH SPRING	1	59	130030402	BOLT M4X20	1
14	588010008	SWITCH	1	60	800130501	TAPPING SCREW M5X12	4
15	588015008	SWITCH HOLDER	1	61	588035007	FLANGE	2
16	588014002	COMPRESSION SPRING	1	62	588037000	ARBOR BOLT M8X20	1
17	588013006	SAFETY BUCKLE	1	63	495200400	RIVET	1
18	588012000	TRIGGER	1	64	588073006	WARNING LABEL	1
19	588016004	HANDLE COVER (L)	1	65	588048001	FIXED NUT	1
20	4500004	FIELD	1	66	588038006	SAFETY PIVOT PLATE	1
21	901010506	TAPPING SCREW M5X55	2	67	130010400	PIVOT PLATE SCREW	1
22	588017000	FAN CASING	1	68	588039002	RETRACT SPRING	1
	622274001	BALL BEARING 6000ZZ	1	69	588047005	LOWER BLADE GUARD	1
24	460001500	C-RING	2	70	588044007	RET. SPRING HOLDER	1
25	969235004	BALL BEARING 6002ZZ	1	71	350105131	FLAT WASHER M5	1
26	176030601	SCREW	2	72	130010501	TAPPING SCREW M5X10	1
27	588025003	HANDLE WASHER	2	73	588043001	LINK	1
28	588024007	AUX. HANDLE	1	74	495200491	RIVET M4X9	1
29	588020003	FRAME	1	75	495200491	LINK NUT	1
30	588026009	SPINDLE LOCK PIN	1	76	350308200	FLAT WASHER M8	1
31	470000400	E-RING	1	77	350304100	FLAT WASHER M4	1
32	588027005	COMPRESSION SPINRG	1	78	130030401	BOLT M4X10	1
33	989377002	BALL BEARING 60000ZZ	1	79	588041009	CONNECT PLATE	1
34	588028001	FINAL GEAR	1	80	130030601	BOLT M4X10	1
35	588029007	LOCK RING	1	81	588055008	TURN TABLE	1
36	452040018	PARRALLED KEY 4X4X28	1	82	588056004	SIDE PLATE	1
37	588030008	GEAR SHAFT	1	83	588072000	HAND WARNING LABEL	1
38	9846004	BALL BEARING 6004Z	1	84	588071004	LINE WARNING LABEL	1
39	300030100	HEX NUT M10	1	85	588065003	FENCE SQUARE WASHER	1
40	180031002	CLAMP SCREW M10X20	1	86	588054002	BASE PLATE	1
41	300030121	HEX NUT M12	2	87	710308045	HEX.SKT. BOLT M8X45	4
42	350312260	FLAT WASHER M12	1	88	360308142	SPRING WASHER M8	4
43	588021009	RUBBER SLEEVE	1	89	588064007	FENCE	1
44	800030401	TAPPING SCREW M4X16	1	90	588062005	LOCK PLATE	1
	470000600	E-RING	1	91	140030500	PAN SCREW M5X6	1
46	588022005	STOP PIN	1	92	588060003	INDEXING PLATE	1

**PARTS LIST FOR AFTER SALES SERVICE  
MODEL TS254T2**

REF	PART NO.	DESCRIPTION	QTY	REF	PART NO.	DESCRIPTION	QTY
93	588061009	FIXED PLATE	1				
94	588070008	INSTRUCTION LABEL	1				
95	100112030	HEX BOLT	1				
96	588082005	LOCK HANDLE	1				
97	300010121	HEX NUT	1				
98	588089002	CONTROL ARM	1				
99	360306121	SPRING WASHER	4				
100	700306020	HEX BOLT	4				
101	588011004	CONNECT WIRE	1				
102	588031004	SPECIAL SCREW	2				
103	380314200	BEARING WASHER	1				
104	588076004	CAUTION LABEL	1				
105	588077000	WARNING LABEL	1				
106	588069007	WARNING LABEL (ENGLISH)	1				
107	588074002	WARNING LABEL	1				
108	588075008	COVER LABEL	1				
109	588045003	GUIDE SHAFT	1				
110	588046009	GUIDE ROLLER	1				
111	710306035	HEX BOLT	1				
112	4460004	ARMATURE	1				
113	180030601	FIXED SCREW	2				
114	588081009	ELBOW	1				
115	791080000	HEX KEY (8MM)	1				
116	588082005	BLOCK SPANER	1				
117	791050000	HEX KEY (5MM)	1				

**SERVICE NOTES:**