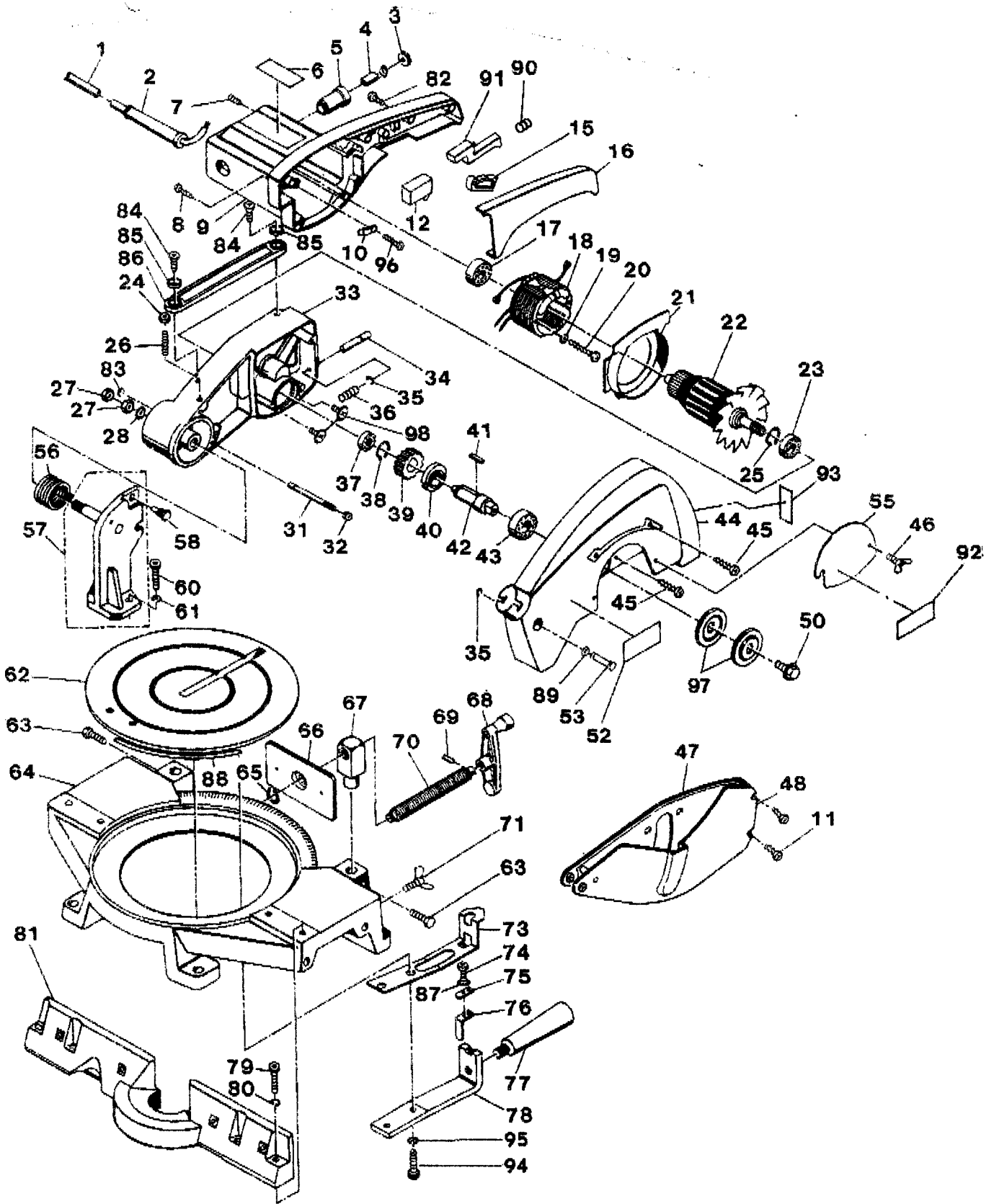


# EXPLODED VIEW



**PARTS LIST**

KEY NO.	PART NO.	DESCRIPTION	QTY.	KEY NO.	PART NO.	DESCRIPTION	QTY.
1	969275-006	CORD .....	1	55	038800-030	SAFETY COVER .....	1
2	085800-470	CORD HOLDER 11.1MM .....	1	56	061800-500	TORSION SPRING .....	1
3	085701-070	BRUSH CAP .....	2	57	030900-010	BRACKET ASSEMBLY .....	1
4	065400-700	CARBON BRUSH (1 PAIR) .....	1	58	061302-570	LOCK BOLT .....	1
5	085700-970	BRUSH HOLDER .....	2	60	092210-250	HEX SOCKET HEAD BOLT M10 x 25 .....	2
6	039100-300	DATA PLATE .....	1	61	095510-000	SPRING WASHER M10 .....	3
7	092805-100	CLAMP SCREW M5 x 10 .....	2	62	033200-010	TURN TABLE .....	1
8	090405-250	TAPPING SCREW (S) M5 x 25 .....	4	63	091908-120	HEX HEAD BOLT M8 x 12 (OPTIONAL) .....	2
9	038000-120	MOTOR HOUSING .....	1	64	038500-080	BASE PLATE .....	1
10	065600-570	CORD CLAMP 11.1MM .....	1	65	095112-000	RETAINING RING 5-12 (OPTIONAL) .....	1
11	090604-140	TAPPING SCREW (B) M4 x 14 .....	3	66	031500-020	CLAMP PLATE (OPTIONAL) .....	1
12	035500-010	TRIGGER SWITCH SP215R-2 .....	1	67	061503-260	WISE HOLDER (OPTIONAL) .....	1
15	039600-030	TRIGGER .....	1	68	068314-550	HANDLE ASSEMBLY (OPTIONAL) .....	1
16	038300-050	HANDLE COVER .....	1	69	094040-180	SPRING PIN 4 x 18 (OPTIONAL) .....	1
17	098962-005	BALL BEARING #6200LLH .....	1	70	061302-580	WISE SCREW (OPTIONAL) .....	1
18	971200-001	FIELD ASSEMBLY .....	1	71	092406-250	WING BOLT M6 x 25 (OPTIONAL) .....	2
19	095505-000	SPRING WASHER M5 .....	2	73	031500-030	LOCK PLATE .....	1
20	090705-550	TAPPING SCREW (B) M5 x 55 .....	2	74	090205-080	PHILLIPS PAN SCREW M5 x 8 .....	1
21	084900-840	FAN CASING .....	1	75	039500-020	INDEXING PLATE .....	1
22	971042-001	ARMATURE .....	1	76	061503-770	PLATE .....	1
	971042-005	ARMATURE WITH BEARINGS .....	1	77	030602-650	LOCK HANDLE .....	1
23	098960-025	BALL BEARING #6002LLH .....	1	78	038300-040	CONTROL ARM .....	1
24	093210-000	HEX NUT M10 .....	1	79	092208-450	HEX SOCKET HEAD BOLT M8 x 45 .....	4
25	622167-007	RETAINING RING .....	1	80	095508-000	SPRING WASHER M8 .....	4
26	092810-200	CLAMP SCREW M10 x 20 .....	1	81	039500-010	FENCE .....	1
27	093212-000	HEX NUT M12 .....	2	82	090604-250	TAPPING SCREW (B) M4 x 25 .....	3
28	095712-000	WASHER 12 x 26 x 2.5 .....	1	83	095006-000	RETAINING RING E-6 .....	1
29	083700-390	RUBBER SLEEVE .....	1	84	091306-150	PHILLIPS OVAL SCREW M6 x 15 .....	2
30	090404-160	TAPPING SCREW (S) M4 x 16 .....	1	85	061502-450	WASHER, AUXILIARY HANDLE .....	2
31	061200-680	STOP PIN .....	1	86	068302-250	AUXILIARY HANDLE .....	1
32	039000-010	"C" RING .....	1	87	095705-000	WASHER 5 x 10 x 1 .....	1
33	038000-080	FRAME .....	1	88	061503-680	SLIDE PLATE .....	4
34	081200-630	SPINDLE LOCK BUTTON .....	1	89	095606-000	WASHER 6 x 12 x 0.8 .....	1
35	095004-000	RETAINING RING E-4 .....	2	90	031800-020	COMPRESSION SPRING .....	1
36	061800-080	COMPRESSION SPRING .....	1	91	033600-020	LOCK OFF LEVER .....	1
37	098280-000	BALL BEARING #600ZZ .....	1	92	039200-160	WARNING LABEL .....	1
38	095120-000	RETAINING RING S-20 .....	1	93	039200-150	DANGER LABEL .....	1
39	062000-420	FINAL GEAR .....	1	94	092206-200	HEX SOCKET HEAD BOLT M6 x 20 .....	4
40	069001-500	LOCK RING .....	1	95	095506-000	SPRING WASHER M6 .....	4
41	061005-090	PARALLEL KEY 4 x 4 x 23 .....	1	96	090604-120	TAPPING SCREW (B) M4 X 12 .....	2
42	030602-550	GEAR SHAFT ASSEMBLY (INCLUDES KEY NOS. 37 - 43) .....	1	97	068401-030	BLADE WASHER .....	2
	061100-470	GEAR SHAFT .....	1	98	998401-001	SCREW (#10-32 X 3/8" WAFER HD.) .....	2
43	067500-040	BALL BEARING #6004LHZ .....	1	502	082402-500	BLADE WRENCH (NOT SHOWN) .....	1
44	038800-020	UPPER BLADE GUARD .....	1	503	097005-000	5MM HEX KEY (NOT SHOWN) .....	1
45	090405-120	TAPPING SCREW (S) M5 x 12 .....	4	504	097008-000	8MM HEX KEY (NOT SHOWN) .....	1
46	092404-060	WING BOLT M4 x 6 .....	2	505	036500-030	CROSSCUT BLADE (NOT SHOWN) .....	1
47	068802-500	LOWER BLADE GUARD (A) .....	1		969196-001	OPTIONAL CARBIDE-TIPPED BLADE (NOT SHOWN) .....	1
48	068802-530	LOWER BLADE GUARD (B) .....	1	506	063800-460	DUST GUIDE (NOT SHOWN) .....	1
50	061302-670	ARBOR BOLT M8 x 20 .....	1	—	062900-120	SHIM .....	AS NEEDED
52	039200-260	LOGO PLATE .....	1	—	035900-340	LEAD WITH TERMINAL .....	1
53	061200-690	FULCRUM PIN (B) .....	1		038800-210	OWNER'S MANUAL	