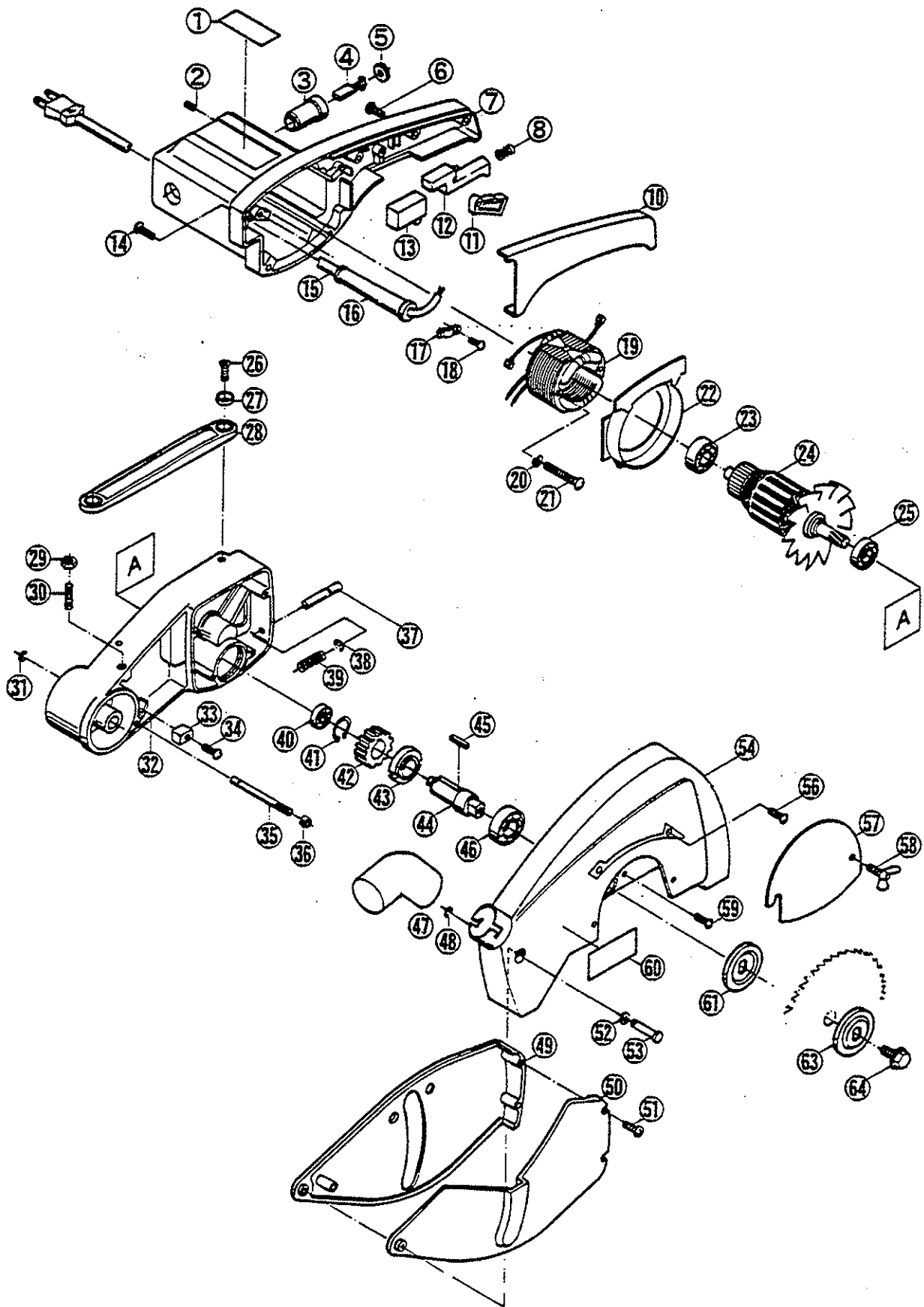


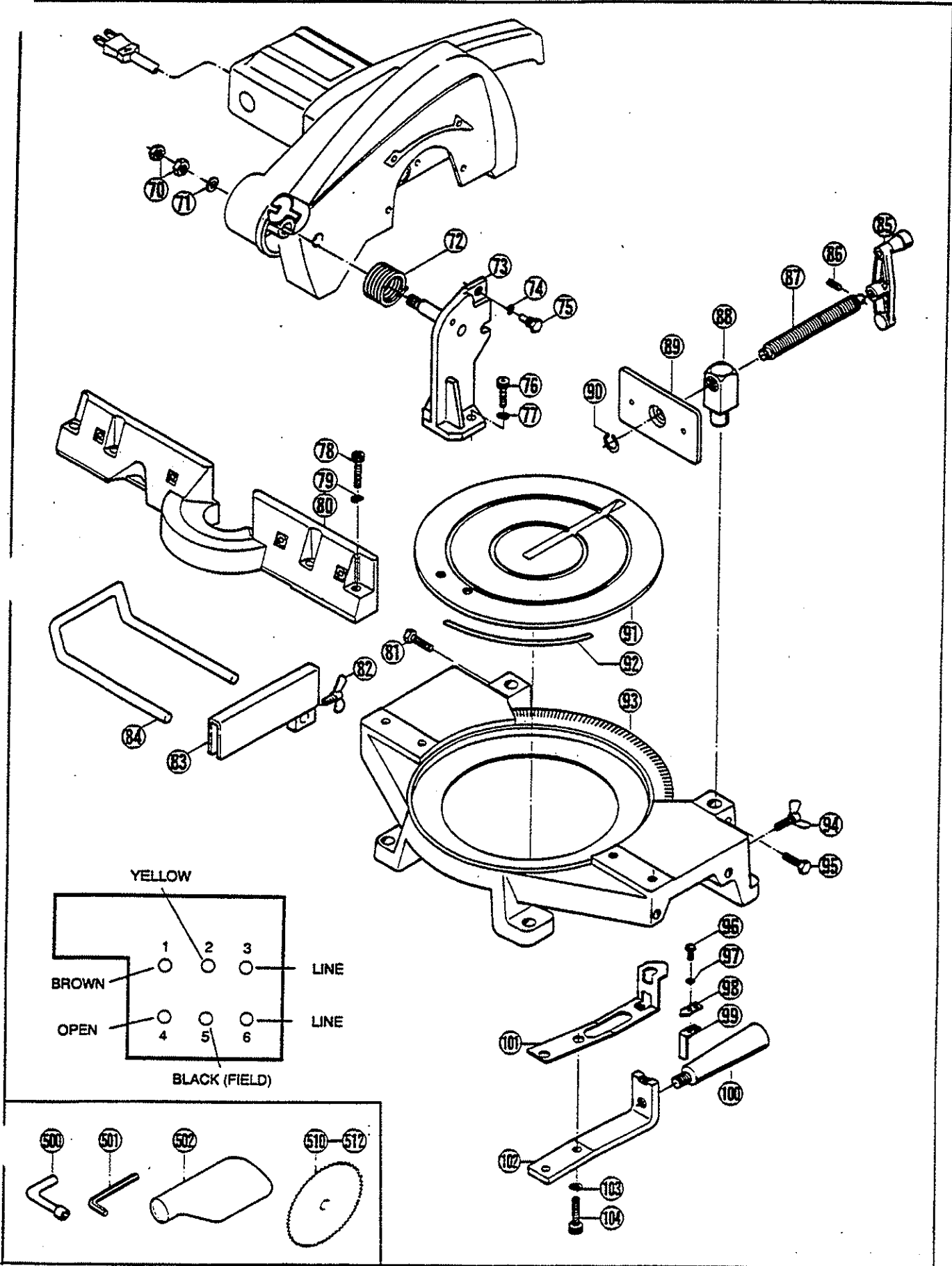
MITER SAW

TS-251U, TS-251UDX



MITER SAW

TS-251U, TS-251UDX



PARTS LIST FOR AFTER SALES SERVICE MODEL TS251U, TS251UDX

REF	PART NO.	DESCRIPTION	QTY	REF	PART NO.	DESCRIPTION	MODEL	QTY
1	3910026	NAME PLATE	1	59	9040512	TAPPING SCREW (S) M5X12		2
2	9280510	CLAMP SCREW M5X10	2	60	6920193	"RYOBI" MARK		1
3	6570097	BRUSH HOLDER	2	61	6940103	FLANGE		1
4	6540073	CARBON BRUSH SET	1	63	6940103	FLANGE		1
5	6570107	BRUSH CAP	2	64	6130267	HEX HD BOLT (L.H.T.) M8X20		1
6	9060425	TAPPING SCREW (B) M4X25	3	70	9321200	HEX NUT M12		2
7	6800308	MOTOR HOUSING	1	71	9571200	WASHER		1
8	3180002	COMPRESSION SPRING	1	72*	663547001	TORSION SPRING		1
10	6830281	HANDLE COVER	1	73	6090062	BRACKET		1
11	3360003	TRIGGER	1	74	9551000	SPRING WASHER M10		1
12	3360002	LEVER	1	75	6130257	LOCK BOLT		1
13	3550001	TRIGGER SWITCH	1	76	9221025	HEX SKT HEAD BOLT M10X25		2
14	9040525	TAPPING SCREW (S) M5X25	4	77	9551000	SPRING WASHER M10		2
15	6520221	CORD ASS'Y AWG#16X2X2	1	78	9220845	HEX SOCKET HEAD BOLT M8X45		4
16	6560047	CORD HOLDER	1	79	9550800	SPRING WASHER M8		4
17	6560067	CORD CLAMP	1	80	6950052	SCALE		1
18	9060414	TAPPING SCREW (B) M4X14	2	81	9190812	HEX HEAD BOLT M8X12	TS251UDX	1
19	6500304	FIELD COIL	1	82	9240512	WING BOLT M5X12	TS251UDX	1
20	9550500	SPRING WASHER M5	2	83	6950048	SET PLATE	TS251UDX	1
21	9060560	TAPPING SCREW (B) M5X60	2	84	6150329	AUX. STAND	TS251UDX	2
22	6490064	FAN CASING	1	85	6831455	HANDLE	TS251UDX	1
23	969235005	BALL BEARING #6200LLH	1	86	9404018	SPRING PIN	TS251UDX	1
24	6030326	ARMATURE	1	87	6130258	VICE SCREW	TS251UDX	1
25	969235004	BALL BEARING #6002LHZ	1	88	6150326	VICE HOLDER	TS251UDX	1
26	9130615	PHILLIPS OVAL SCREW M6X15	2	89	3150002	CLAMP PLATE	TS251UDX	1
27	6150245	WASHER	2	90	9511200	RETAINING RING S-12	TS251UDX	1
28	6830225	AUX. HANDLE	1	91	6190007	TURN TABLE		1
29	9321000	HEX NUT M10	1	92	6150368	SLIDE PLATE		4
30	9281020	CLAMP SCREW M10X20	1	93	3850002	BASE		1
31	9500600	RETAINING RING E-6	1	94	9240625	WING BOLT M6X25	TS251UDX	2
32	6800314	FRAME	1	95	9190812	HEX HEAD BOLT M8X12		1
33	6370039	RUBBER SLEEVE	1	96	9020508	PHILLIPS PAN SCREW M5X8		1
34	9040416	TAPPING SCREW (S) M4X16	1	97	9570500	WASHER		1
35	6120068	STOPPER PIN	1	98	6950063	SCALE LABEL		1
36	3900001	RING	1	99	6150377	PLATE		1
37	6120063	STOPPER PIN	1	100	6830311	AUX. HANDLE		1
38	9500400	RETAINING RING E-4	1	101	6150374	LOCK PLATE		1
39	6180008	COMPRESSION SPRING	1	102	6830287	LEVER		1
40	9894377002	BALL BEARING #6000LLB	1	103	9551000	SPRING WASHER M10		2
41	9512000	RETAINING RING S-20	1	104	9221025	HEX SKT HEAD BOLT M10X25		2
42	6200042	FINAL GEAR	1	--	3920016	WARNING LABEL		1
43	6900150	LOCK RING	1	--	3920015	WARNING LABEL		1
44	6110047	GEAR SHAFT	1	--	3920017	"NO HAND" LABEL		2
45	6100509	PARALLEL KEY	1	--	3920018	"SAFETY LINE" LABEL		2
46	9846004	BALL BEARING #6004LLH	1	--	3920024	CAUTION LABEL		1
47	6360046	DUST GUIDE	1	--	6290012	SHIM		1
48	9500400	RETAINING RING E-4	1	--	6530209	FASTEN CONNECTOR		1
49	6880250	LOWER GUARD	1	--	9674316	LEAD WIRE		1
50	6880253	LOWER GUARD	1					
51	9060414	TAPPING SCREW (B) M4X14	2					
52	9560600	WASHER	1					
53	6120069	FULCRUM PIN	1	500	6240250	"L" TYPE WRENCH 13		1
54	6880262	SAFETY GUARD	1	501	6241123	HEX KEY WRENCH 8		1
56	9040512	TAPPING SCREW (S) M5X12	2	502	6071663	DUST BAG	TS251UDX	1
57	6880259	SAFETY GUARD	1	510	4650300	10" TCT SAW BLADE	TS251UDX	1
58	9240406	WING BOLT M4X6	2	512	3650003	10" CROSSCUT SAW BLADE	TS251U	1

SERVICE NOTES:

* PN 6180050 may be used on previously modified saw.