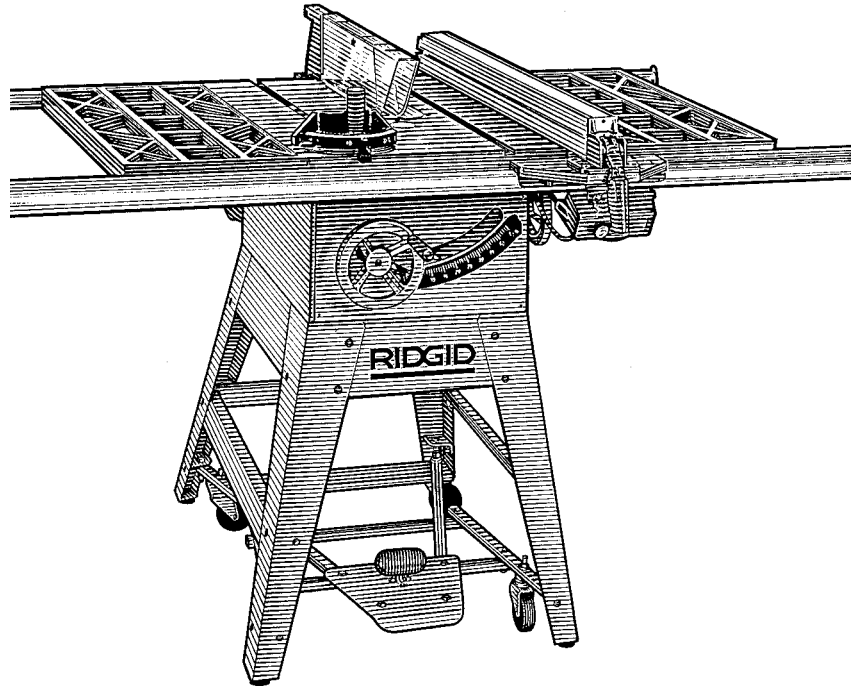


RIDGID®

TS2424 OWNER'S MANUAL



10 INCH CONTRACTOR SERIES BELT DRIVE SAW

Call Us 1st

For any questions about:

- **Operation**
- **Warranty** (See back cover)
- **Technical Assistance**
- **Repair Parts**

at: **1-800-4 RIDGID**

M-F 7:30 a.m. - 5:30 p.m.
Sat. 8 a.m. - 3 p.m.(CST),

Or online at:
www.ridgidwoodworking.com

www.ridgidparts.com
(parts only)

For Your Safety:
Read all instructions carefully

Part No. SP6250

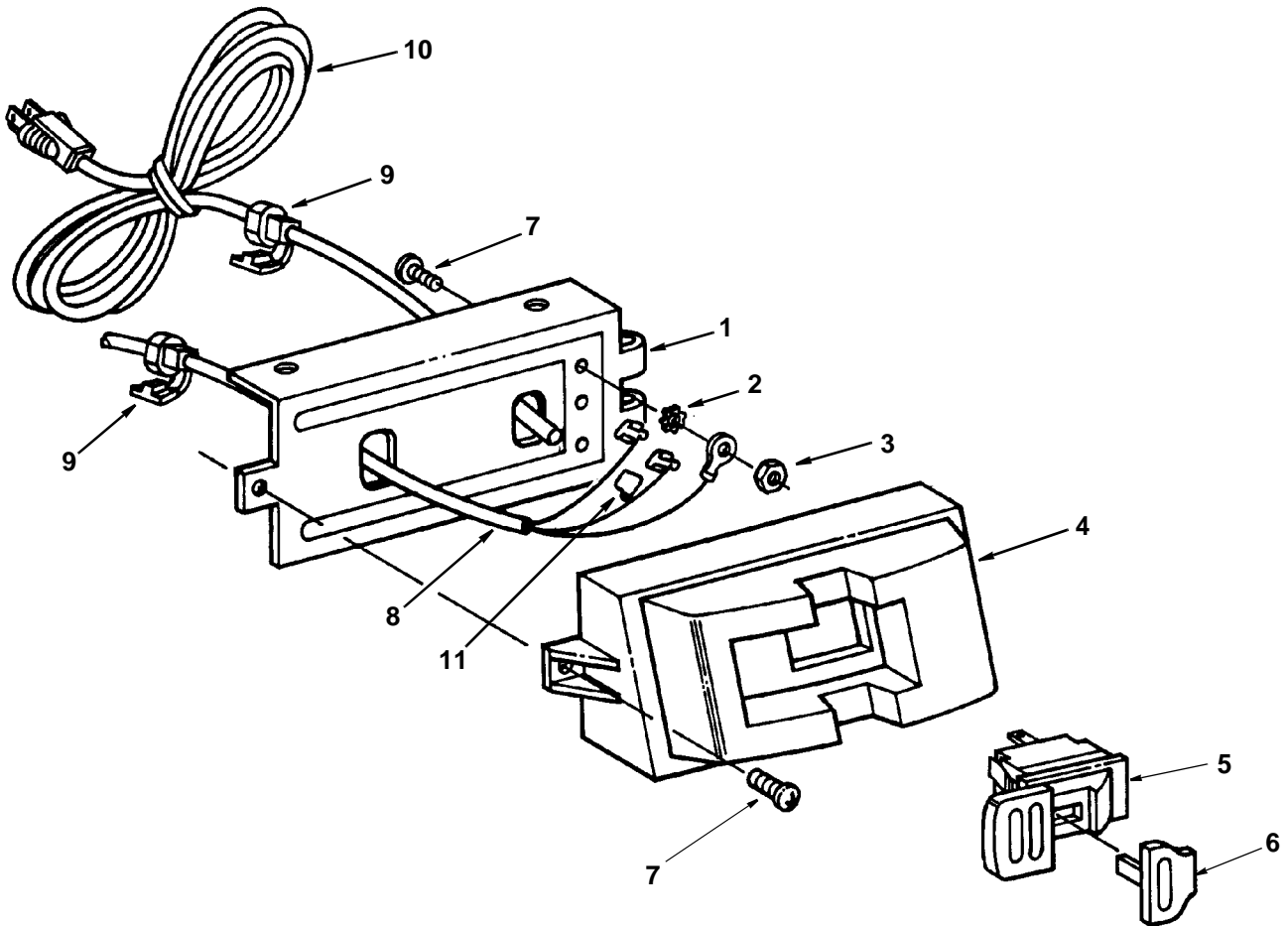
Printed in U.S.A.

Repair Parts

Parts List for RIDGID 10 Inch Table Saw Model TS24241

RIDGID parts are available on-line at www.ridgidparts.com

Figure 1 - ON-OFF Power Outlet



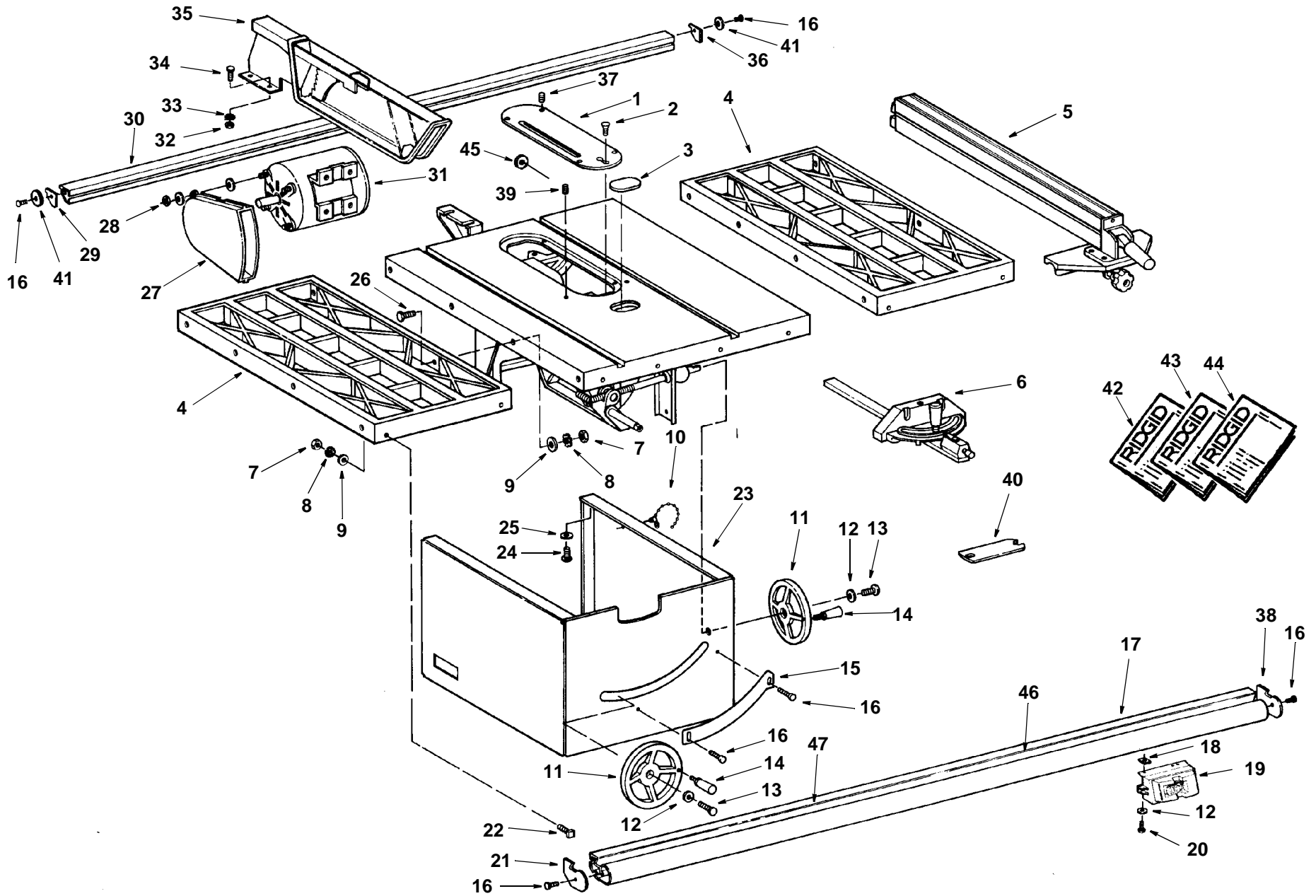
Always Order by Part Number - not by Key Number

| Key No. | Part No. | Description |
|---------|----------|--------------------------------------|
| 1 | 822150-1 | Bracket, Switch Housing |
| 2 | 114603 | * Lockwasher #10 |
| 3 | 120614 | * Nut Hex 10-32 |
| 4 | 826121 | Box Switch |
| 5 | 826123 | Switch Locking |
| 6 | 826122 | Key Switch |
| 7 | 816333-2 | * Screw, Pan Hd. Ty "T" 10-32 x 3/8" |
| 8 | 826452-1 | Cord |
| 9 | 826450 | Strain Relief |
| 10 | 826451 | Cord w/Plug |
| 11 | 63467 | Cap, Insulator |

* Standard Hardware Item - May be purchased locally

Parts List for RIDGID 10 Inch Table Saw
Model No. TS24241
RIDGID parts are available on-line at www.ridgidparts.com

Figure 2



Parts List for RIDGID 10 Inch Table Saw

Model No. TS24241

RIDGID parts are available on-line at www.ridgidparts.com

Figure 2

Always Order by Part Number - not by Key Number

| Key No. | Part No. | Description |
|---------|-----------|--------------------------------|
| 1 | 509492 | Insert (Includes Set Screws) |
| 2 | 447441 | * Screw Flat Hd 10-32 x 1 |
| 3 | 826390 | Insert Ind-I-Cut |
| 4 | 824609-2 | Extension Table |
| 5 | ----- | Fence Asm (See Fig 4) |
| 6 | ----- | Miter Gauge (See Fig 5) |
| 7 | 118614 | * Nut Hex 5/16-18 |
| 8 | 131201 | * Lockwasher 5/16 |
| 9 | 274865 | * Washer 21/64 x 5/8 x 1/16 |
| 10 | 71165 | Tie Wire |
| 11 | 824572 | Wheel Hand |
| 12 | 114603 | * Lockwasher #10 |
| 13 | 809372-7 | * Screw Pan Hd 10-32 x 5/8 |
| 14 | 826505 | Knob Handwheel |
| 15 | 826518 | Scale Adjustable Bevel |
| 16 | 448013 | * Screw Pan Hd Ty "AB" 8 x 1/2 |
| 17 | 824345 | Rail Front w/Scales |
| 18 | 822138-1 | Nut Sq 10-32 |
| 19 | ----- | Switch Box (See Fig 1) |
| 20 | 21379 | * Screw Pan Hd 10-32 x 3/8 |
| 21 | 824341-1 | Cap Front Rail Left |
| 22 | 159653-38 | Bolt Sq. Hd 5/16-18 x 1 |
| 23 | 826465 | Base |
| 24 | 423567 | * Screw Hex Hd 3/8-16 x 1/2 |
| 25 | 187077 | * Lockwasher 3/8 |
| 26 | 60038 | * Screw Hex Hd 5/16-18 x 1-1/4 |
| 27 | 824360-1 | Guard Belt |

* Standard Hardware Item - May be purchased locally

– Items Not Shown

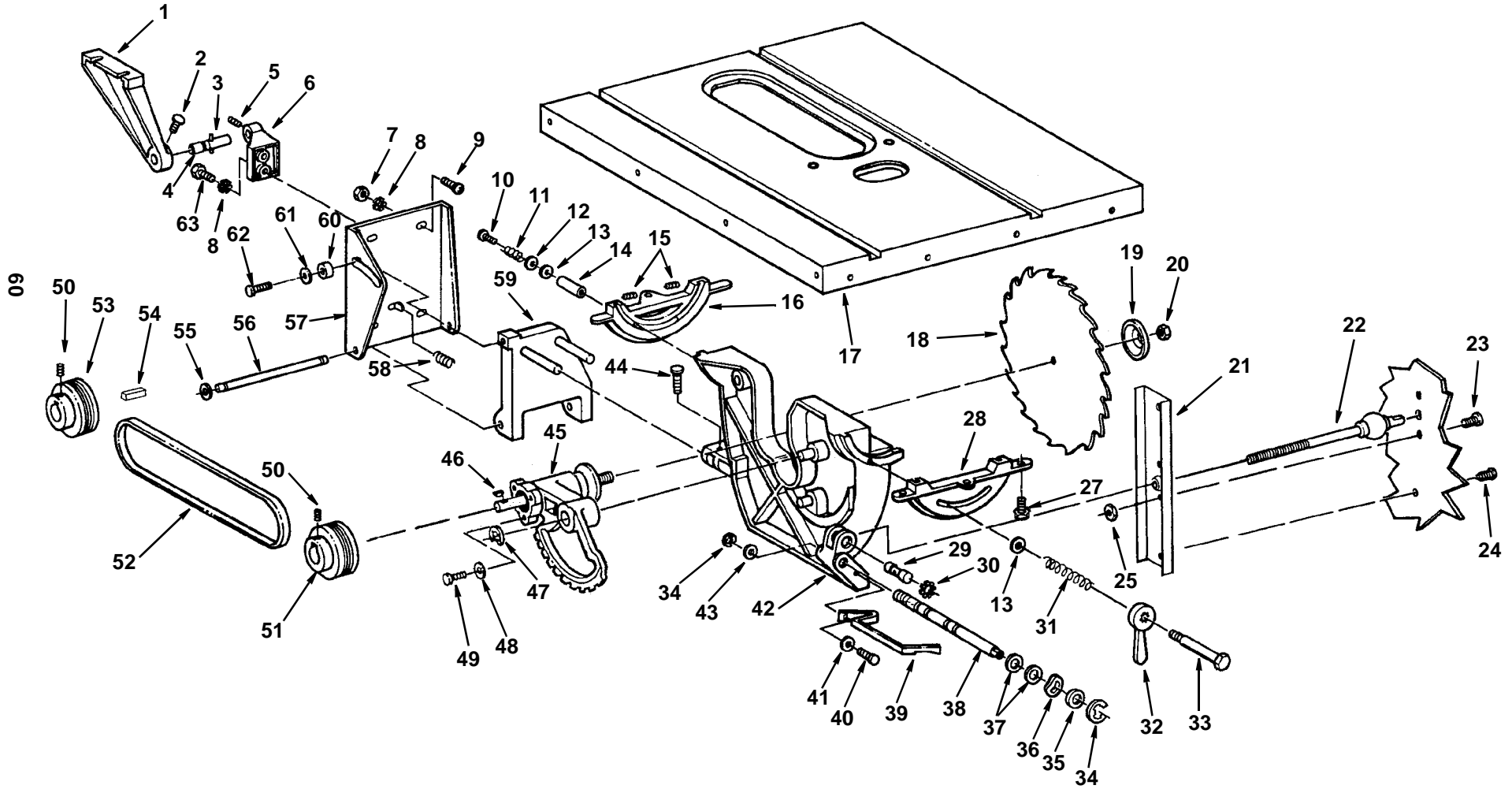
| Key No. | Part No. | Description |
|---------|-----------|---|
| 28 | 120614 | * Nut 10-32 |
| 29 | 824373-1 | Cap Rear Rail Left |
| 30 | 824340-6 | Rail Rear |
| 31 | 826187 | • Motor |
| 32 | 62636 | * Nut Hex 1/4-20 |
| 33 | 114604 | * Lockwasher 1/4 |
| 34 | 30628 | * Screw Hex Hd 1/4-20 x 5/8 |
| 35 | ----- | Guard Assembly (See Fig 6) |
| 36 | 824372-1 | Cap Rear Rail Right |
| 37 | 104879 | Screw Lock Set 10-32 x 3/16 |
| 38 | 824339-1 | Cap Front Rail Right |
| 39 | 818463 | Screw Soc Set Oval 3/8-16 x 3/4 |
| 40 | 3540 | Wrench, Arbor |
| 41 | 805548-11 | Washer 3/16 x 1 x 1/16 |
| 42 | SP6250 | Owners Manual |
| 43 | SP6251A | Owners Manual-Spanish |
| 44 | SP6251B | Owners Manual-French |
| 45 | 818309 | Washer Shim |
| 46 | 828084 | Tape Fence 24" Right |
| 47 | 828086 | Tape Fence 24" Left |
| – | 509269 | Bag Asm, Guide Bars |
| – | 507780 | Bag Asm, Table Extensions |
| – | 509479 | Bag Asm, Miscellaneous |
| – | 509504 | Bag Asm, Trim |
| – | 509615 | Bag Asm - Includes Bag Asm Trim, Extensions and Miscellaneous |

• Any attempt to repair this motor may create a hazard unless repair is done by a qualified service technician. Repair service is available at your nearest Authorized Service Center.

Parts list for RIDGID 10 Inch Table Saw
Model No. TS24241

RIDGID parts are available on-line at www.ridgidparts.com

Figure 3



**Parts List for RIDGID 10 Inch Table Saw
Model TS24241**
RIDGID parts are available on-line at www.ridgidparts.com
Figure 3

Always Order by Part Number - not by Key Number

| Key No. | Part No. | Description |
|---------|------------|--|
| 1 | 804846-1 | Support, Spreader |
| 2 | 60204 | Screw, Thumb 5/16-18 x 1 |
| 3 | 803422-166 | * Pin, Roll 3/16 x 1-1/4 |
| 4 | 62585 | Rod Spreader (Includes Roll Pin) |
| 5 | 141669-31 | * Screw, Socket Set 5/16-18 x 1/2 |
| 6 | 825914-2 | Support, Guard |
| 7 | 118614 | * Nut, Hex 5/16-18 |
| 8 | 131201 | * Lockwasher, External 5/16 |
| 9 | 126218 | * Bolt, Carriage 5/16-18 x 3/4 |
| 10 | 60206 | * Screw, Hex Ind. Wash. Hd. 1/4-20 x 1-1/2 |
| 11 | 60205 | Spring |
| 12 | 60014 | * Washer, .380 x 47/64 x 3/32 |
| 13 | 63011 | Washer, Knob Clamp |
| 14 | 62295 | Spacer |
| 15 | 803309-2 | * Screw Soc Set Lock 10-32 x 3/8 |
| 16 | 828081 | Table, Trunnion Rear |
| 17 | 826454-1 | Table, 10 In. Saw |
| 18 | 828090 | Blade, Saw 10" 40T Dimple Carbide |
| 19 | 804667-1 | Collar, Blade |
| 20 | 6362 | Nut, Arbor |
| 21 | 824637-1 | Stiffener Base |
| 22 | 826392 | Screw, Tilt |
| 23 | 808277-7 | * Screw, Pan Hd. 10-32 x 3/8 |
| 24 | 806752-13 | * Screw, Pan Hd. Ty AB #10 x 1/2 |
| 25 | 60012 | * Nut, Lock 10-32 |
| 26 | | |
| 27 | 828328 | Screw, Hex. Wash. Hd. 3/8-16 x 1 |
| 28 | 810867-1 | Table, Trunnion |
| 29 | 826391 | Nut, Tilt |
| 30 | 63054 | Ring, Retaining 3/4 |
| 31 | 37828 | Spring, Clamp Screw |
| 32 | 162000-1 | Handle Clamp Screw |

| Key No. | Part No. | Description |
|---------|-----------|-------------------------------------|
| 33 | 37829 | Screw, Clamp |
| 34 | 30442 | * Ring, Retaining |
| 35 | 37838 | Washer, .629 x 7/8 x 1/64 |
| 36 | 60178 | Washer, Spring |
| 37 | 30653 | * O-Ring |
| 38 | 62697 | Screw, Lift |
| 39 | 62699 | Pointer |
| 40 | 448033 | * Screw, Pan Hd. Ty "T" 10-32 x 3/8 |
| 41 | 114603 | * Lockwasher, External No. 10 |
| 42 | 509495 | Cradle |
| 43 | 30767 | Washer, End Play (.010 Thick) |
| 44 | 805467-3 | * Screw, Hex Hd. 5/16-18 x 5/8 |
| 45 | 826464 | Housing and Arbor |
| 46 | 106751 | * Key, Woodruff #9 |
| 47 | 6527 | Ring Retaining 3/4 |
| 48 | 9416712 | * Washer 3/16 x 5/8 x 1/16 |
| 49 | 809169-3 | * Screw Ty "T" 8-32 x 3/8 |
| 50 | 141669-31 | * Screw, Soc Set Oval 5/16-18 x 1/2 |
| 51 | 826476 | Pulley, Poly-V 2.5 |
| 52 | 816439-3 | Belt, Poly-V 41.7 |
| 53 | 826475 | Pulley, Poly-V 2.2 |
| 54 | 803744-3 | * Key Square 3/16 x 1-1/4 |
| 55 | 60044 | * Ring, Retaining 3/8 |
| 56 | 37823 | Pin Hinge |
| 57 | 509494 | Base, Motor |
| 58 | 818527 | Spring |
| 59 | 509491 | Support, Motor Base |
| 60 | 818528 | Spacer |
| 61 | 60005 | * Washer, 17/64 x 47/64 x 1/16 |
| 62 | 30628 | Screw, Hex Lock 1/4-20 x 5/8 |
| 63 | 805467-6 | * Screw Hex Hd 5/16-18 x 1 |

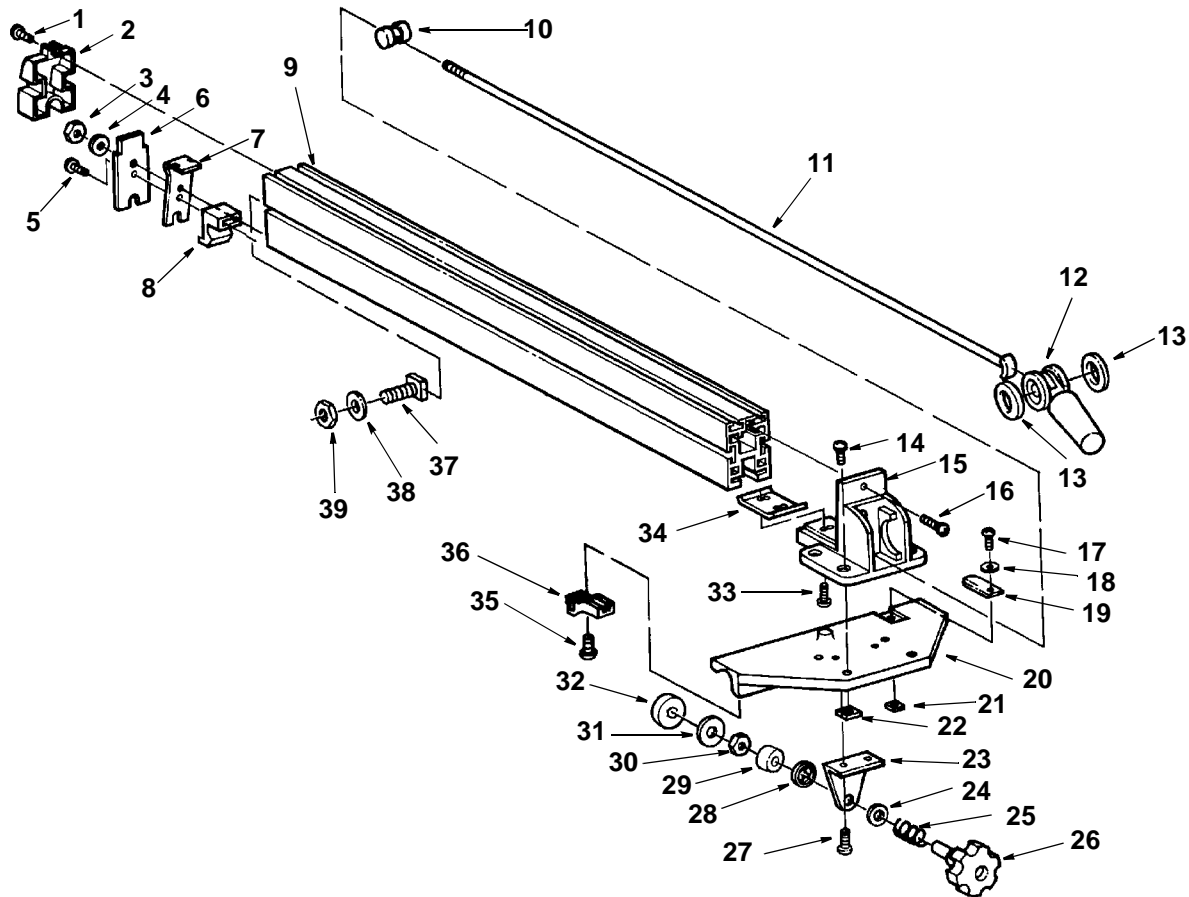
* Standard Hardware Item - May be purchased locally

Repair Parts

Parts List for RIDGID 10 Inch Table Saw Model No. TS24241

RIDGID parts are available on-line at www.ridgidparts.com

Figure 4 - Fence Assembly



Always Order by Part Number - not by Key Number

| Key No. | Part No. | Description |
|---------|----------|------------------------------------|
| 1 | 809492-7 | Screw Pan Hd. Ty "T" 8-32 x 1 |
| 2 | 824350-1 | Cap Channel Rear |
| 3 | 820129 | * Nut Lock 5/16-18 |
| 4 | 274865 | * Washer 21/64 x 5/8 x 1/16 |
| 5 | 9416390 | * Screw Pan Hd. Ty "T" 10-32 x 5/8 |
| 6 | 824328-1 | Plate Lock |
| 7 | 824332 | Spring Lock |
| 8 | 824349-1 | Slide Rear Fence |
| 9 | 824346 | Channel Fence |
| 10 | 824329 | Pin Cam |
| 11 | 824342 | Rod Fence Lock |
| 12 | 824353-1 | Handle Cam |
| 13 | 824326 | Bearing Ball Angular Contact |
| 14 | 824347-2 | Scr Hex Soc Butt Hd 1/4-20 x 3/4 |
| 15 | 824279-1 | Housing Rip Fence |
| 16 | 809492-7 | * Screw Pan Hd Ty "T" 8-32 x 1/2 |
| 17 | 809372-3 | * Screw Pan Hd 10-32 x 1/2 |
| 18 | 60136 | * Washer 13/64 x 5/8 x 1/32 |
| 19 | 824334-1 | Indicator |
| 20 | 826032 | Head |
| 21 | 822138-1 | Nut Sq 10-32 |

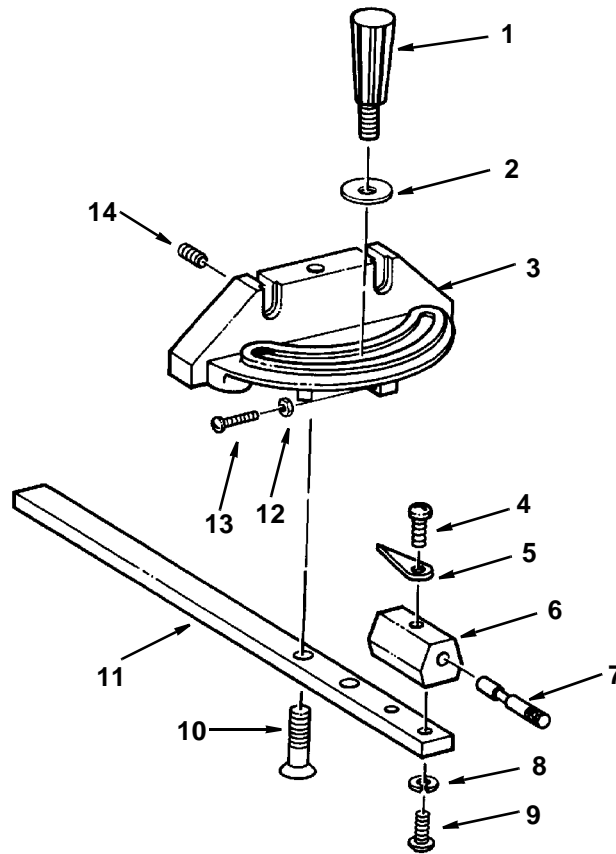
| Key No. | Part No. | Description |
|---|-----------|---------------------------------------|
| 22 | 62636 | Nut Sq 1/4-20 |
| 23 | 824325-1 | Bracket Micro Adjust |
| 24 | 824282 | Bushing |
| 25 | 824356 | Spring Compression |
| 26 | 824355-1 | Knob Micro Adjust |
| 27 | 806752-13 | * Screw Pan Hd. Ty "T" 10-32 x 1/2 |
| 28 | 802612-13 | Nut Push 7/16 |
| 29 | 824282 | Bushing |
| 30 | 120614 | * Nut Hex 10-32 |
| 31 | 805548-10 | * Washer 13/64 x 3/8 x 1/32 |
| 32 | 826196 | Bumper Rubber |
| 33 | 9422329 | Screw Hex Wash Hd Ty "T" 1/4-20 x 3/4 |
| 34 | 824330-1 | Plate Fence Channel |
| 35 | 809169-3 | * Screw Pan Hd. Ty "T" 8-32 x 3/8 |
| 36 | 825823 | Slide Fence Hd. |
| Hardware For Attaching Wood Facing | | |
| 37 | 159653-3 | Bolt Sq. Hd. 1/4-20 x 3/4 |
| 38 | 805552 | * Washer 17/64 x 5/8 x 1/16 |
| 39 | 115120 | * Nut Hex 1/4-20 |

* Standard Hardware Item - May be purchased locally

Parts List for RIDGID 10 Inch Table Saw Model No. TS24241

RIDGID parts are available on-line at www.ridgidparts.com

Figure 5 - Miter Gauge Assembly



Always Order by Part Number - not by Key Number

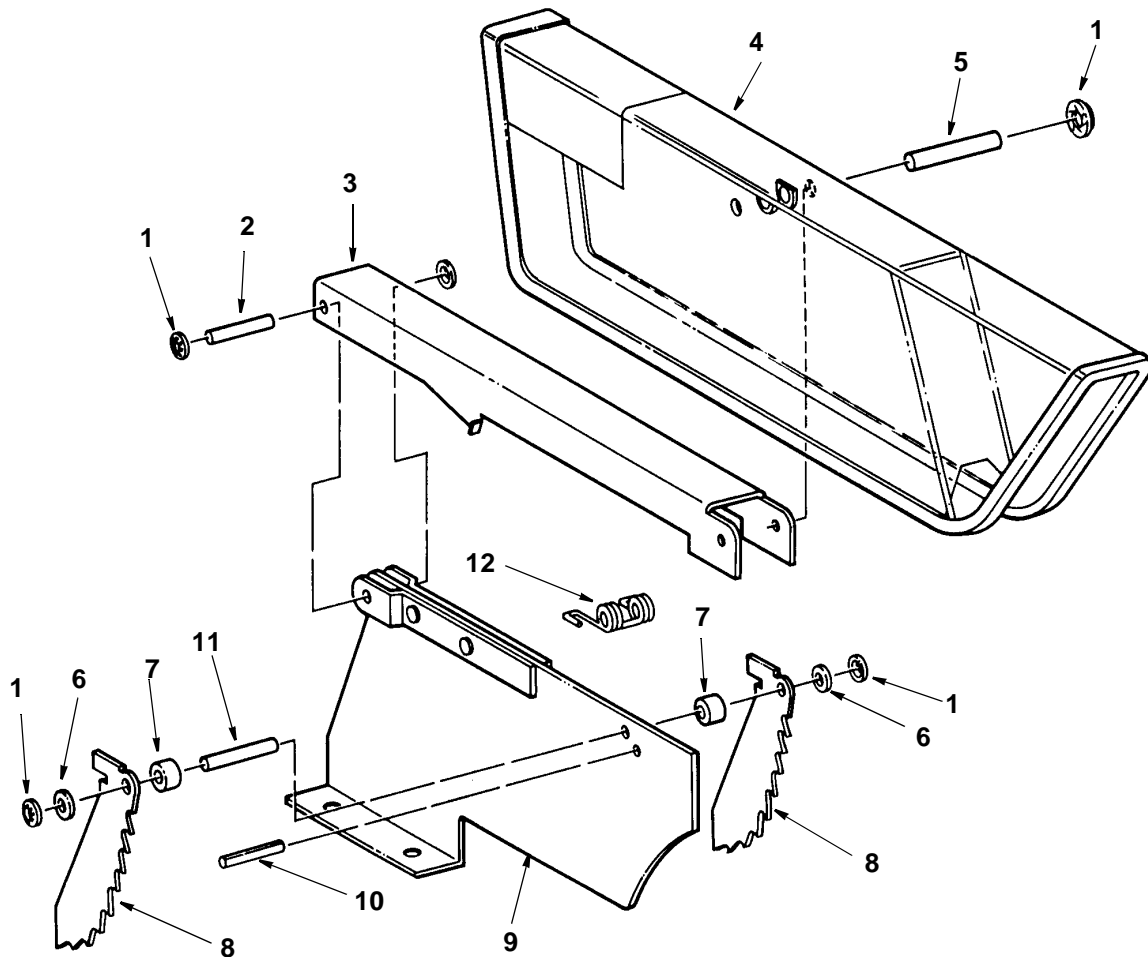
| Key No. | Part No. | Description |
|---------|-----------|------------------------------|
| — | 826661 | Miter Gauge, Complete |
| 1 | 826506 | Knob |
| 2 | 821063-5 | * Washer 8 x 23 x 1.8 |
| 3 | 826663 | Gauge, Miter |
| 4 | 824723-1 | * Screw, Pan Hd. 8/32 x 5/16 |
| 5 | 123069-1 | Indicator |
| 6 | 824573-1 | Block, Miter Gauge Indicator |
| 7 | 824570 | Pin, Miter |
| 8 | 140755-15 | Lockwasher #8 |
| 9 | 824723 | * Screw, Pan Hd 8-32 x 5/8 |
| 10 | 818470-4 | Screw Flat Hd. M6 x 1.0-16 |
| 11 | 826662 | Rod, Miter Gauge |
| 12 | 134530 | * Nut Hex 6-32 |
| 13 | 809813-4 | * Screw Pan Hd. 6-32 x 5/8 |
| 14 | 818471-6 | Screw, Set 5 x 0.8-5 |

Parts List for RIDGID 10 Inch Table Saw

Model No. TS24241

RIDGID parts are available on-line at www.ridgidparts.com

Figure 6 - Guard Assembly



Always Order by Part Number - not by Key Number

| Key No. | Part No. | Description |
|---------|------------|------------------------------|
| - | 826519 | Guard Asm. Complete |
| 1 | 60208 | Nut Push |
| 2 | 62391 | Pin 1/4 x 1-1/2 |
| 3 | 803528-1 | Support, Guard |
| 4 | 826466 | Guard, Saw |
| 5 | 62390 | Pin, 1/4 x 1-3/4 |
| 6 | 805552 | * Washer, 17/64 x 5/8 x 1/16 |
| 7 | 62520 | Spacer, Pawl |
| 8 | 813146-1 | Pawl |
| 9 | 804845-1 | Spreader Blade |
| 10 | 62410 | Pin, 1/4 x 1 |
| 11 | 803422-163 | * Pin, Roll 3/16 x 15/16 |
| 12 | 62519 | Spring, Pawl |
| - | 509507 | Bag Asm, Guard |

* Standard Hardware Item - May be purchased locally

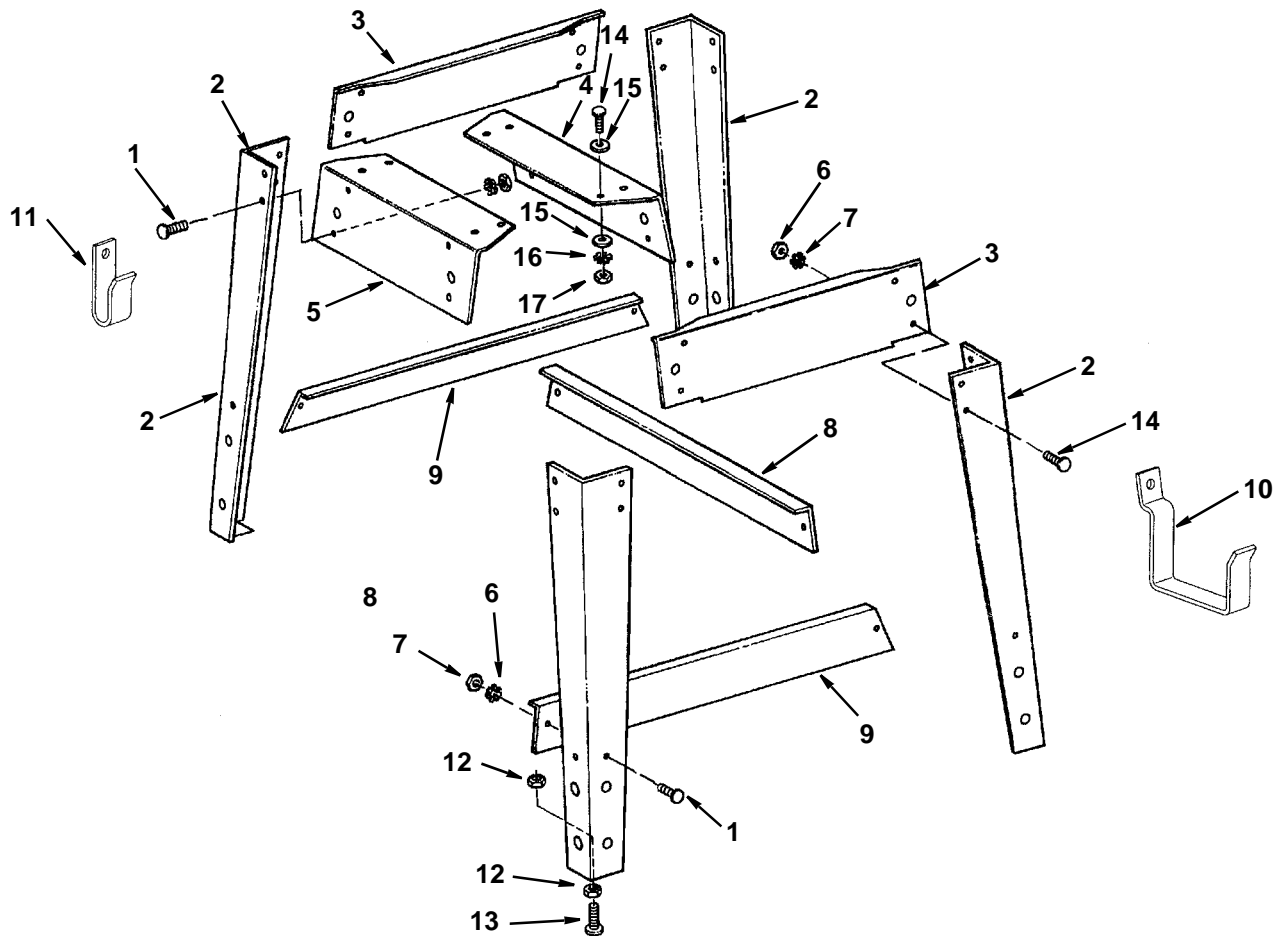
- Items Not Shown

Repair Parts

Parts List for RIDGID 10 Inch Table Saw Model No. TS24241

RIDGID parts are available on-line at www.ridgidparts.com

Figure 7 - Leg Set

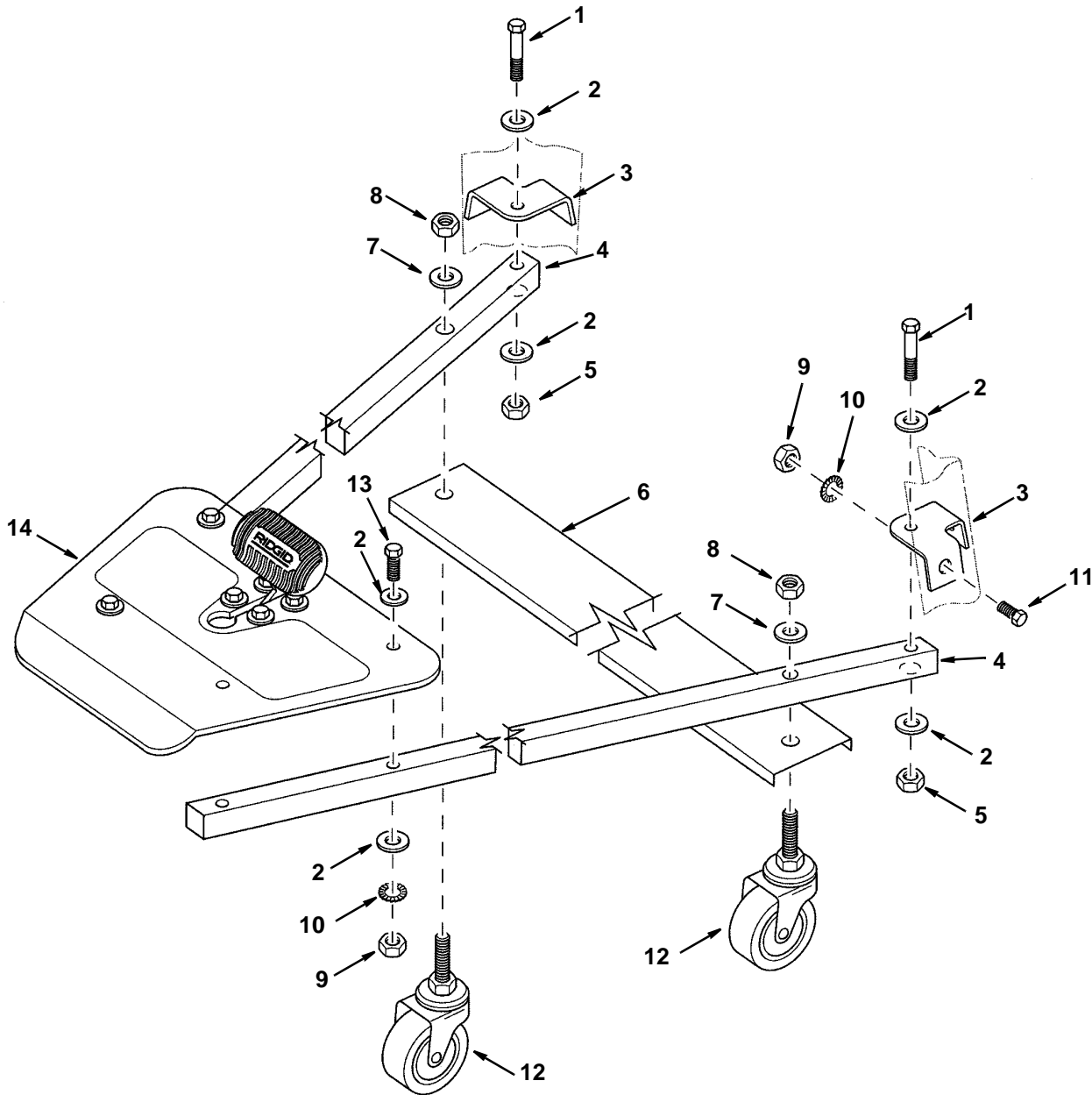


| Key No. | Part No. | Description |
|---|----------|--|
| 1 | 805589-5 | Screw, Serrated Truss Head. 1/4-20 x 1/2 |
| 2 | 826113-1 | Leg |
| 3 | 826116 | Stringer, Side |
| 4 | 826115 | Stringer, End |
| 5 | 509511 | Stringer, End w/Label |
| 6 | 115120 | * Nut Hex, 1/4-20 |
| 7 | 114604 | * Lockwasher 1/4 |
| 8 | 826114-1 | Brace Leg (Short) |
| 9 | 826114 | Brace Leg (Long) |
| 10 | 824832 | Hanger, Miter Gauge |
| 11 | 824833 | Hanger, Rip Fence |
| 12 | 118645 | * Nut Hex 3/8-16 |
| 13 | 803835-3 | Foot Leveling |
| Hardware for Attaching Legs to Saw | | |
| 14 | 60038 | * Screw, Hex Hd. 5/16-18 x 1-1/4 |
| 15 | 118774 | * Washer, 11/32 x 11/16 x 1/16 |
| 16 | 131201 | * Lockwasher, Ext. 5/16 |
| 17 | 118614 | * Nut, Hex 5/16-18 |
| - | 509589 | Bag Asm, Legs |

* Standard Hardware Item - May be purchased locally

- Items Not Shown

**Parts List for RIDGID 10 Inch Table Saw
Model No. TS24241**
RIDGID parts are available on-line at www.ridgidparts.com
Figure 8 - Upper Assembly



Always order by Part Number - Not by Key Number

| Key No. | Part No. | Description |
|---------|----------|------------------------------|
| 1 | 827849 | Screw Special 1/4-20 x 1-5/8 |
| 2 | 147579 | * Washer 1/4 x 9/16 x 1/16 |
| 3 | 827843 | Bracket Leg |
| 4 | 827829 | Tube Rear; 27" Long |
| 5 | 60246 | Nut Lock 1/4-20 |
| 6 | 827844 | Channel Rear |
| 7 | 805559 | Washer .462 x 47/64 x 1/16 |

| Key No. | Part No. | Description |
|---------|----------|-----------------------------|
| 8 | 271500 | Nut Hex 7/16-14 |
| 9 | 115120 | * Nut Hex 1/4-20 |
| 10 | 114604 | * Lockwasher 1/4 |
| 11 | 805461-2 | * Screw Hex Hd 1/4-20 x 1/2 |
| 12 | 827851 | Caster Swivel 3" |
| 13 | 60206 | * Screw 1/4-20 x 1-1/2 |
| 14 | — | Plate Asm (See Fig 10) |

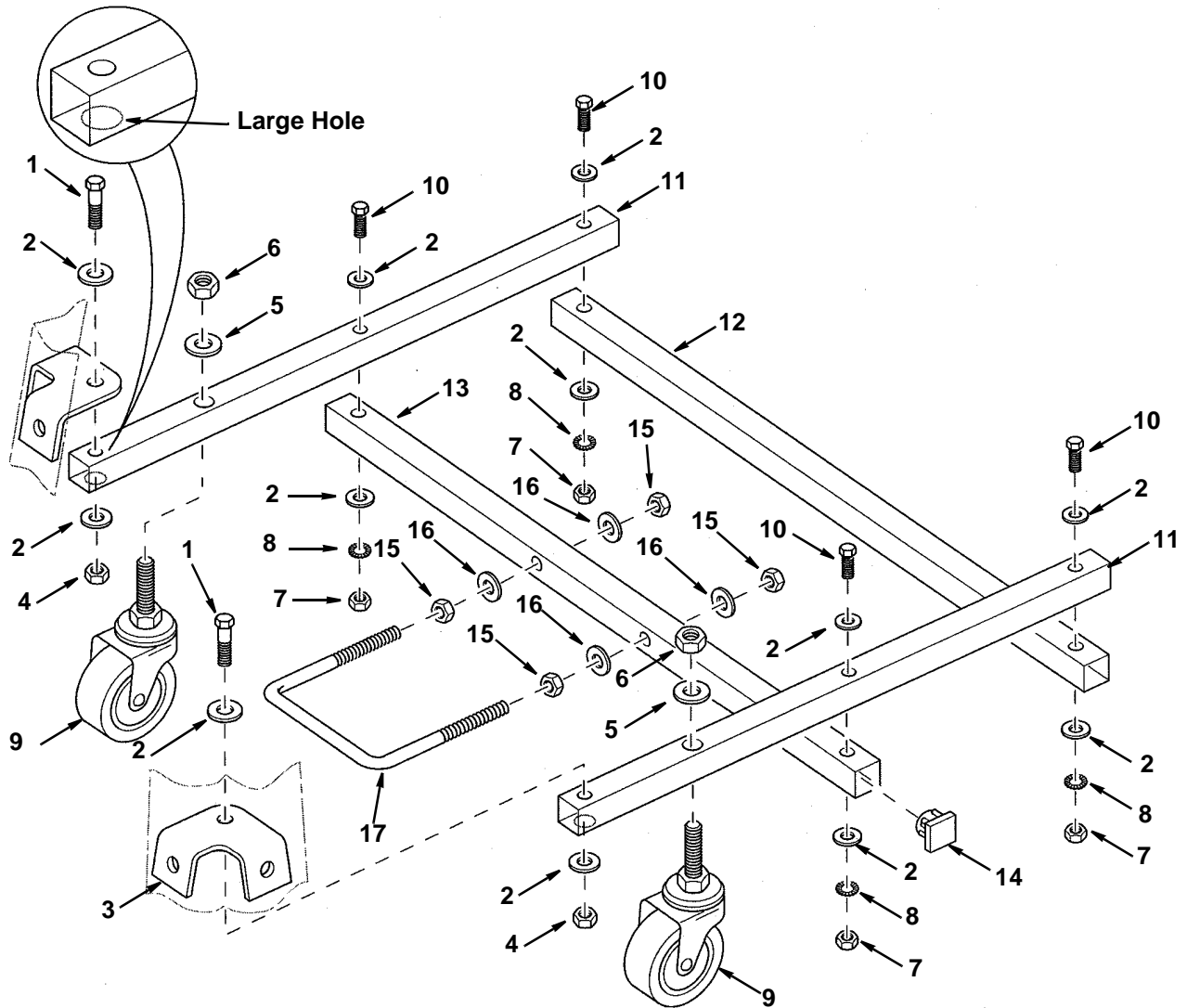
* Standard Hardware Item - May be purchased locally.

Repair Parts

Parts List for RIDGID 10 Inch Table Saw Model No. TS24241

RIDGID parts are available on-line at www.ridgidparts.com

Figure 9 - Lower Assembly



Always order by Part Number - Not by Key Number

| Key No. | Part No. | Description |
|---------|-----------|------------------------------|
| 1 | 827849 | Screw Special 1/4-20 x 1-5/8 |
| 2 | 147579 | * Washer 1/4 x 9/16 x 1/16 |
| 3 | 827843 | Bracket Leg |
| 4 | 60246 | Nut Lock 1/4-20 |
| 5 | 805559 | Washer .462 x 47/64 x 1/16 |
| 6 | 271500 | Nut Hex 7/16-14 |
| 7 | 115120 | * Nut Hex 1/4-20 |
| 8 | 114604 | * Lockwasher 1/4 |
| 9 | 827851 | Caster Swivel 3" |
| 10 | 805461-13 | * Screw 1/4-20 x 2 |

| Key No. | Part No. | Description |
|---------|-----------|---|
| 11 | 827834 | Tube Front; 13-7/8" Long |
| 12 | 827835 | Tube Support; 17-1/4" Long |
| 13 | 827836 | Tube U Bolt; 19-5/8" Long |
| 14 | 827850 | Plug |
| 15 | 805583 | Nut Jam 5/16-18 |
| 16 | 805553-28 | * Washer 21/64 x 25/32 x 1/8 |
| 17 | 827837 | Bolt U |
| — | 827838 | Bag Asm, Loose Parts |
| — | 827853 | Bag Asm, Loose Parts Contains 827838 Bag |

* Standard Hardware Item - May be purchased locally.

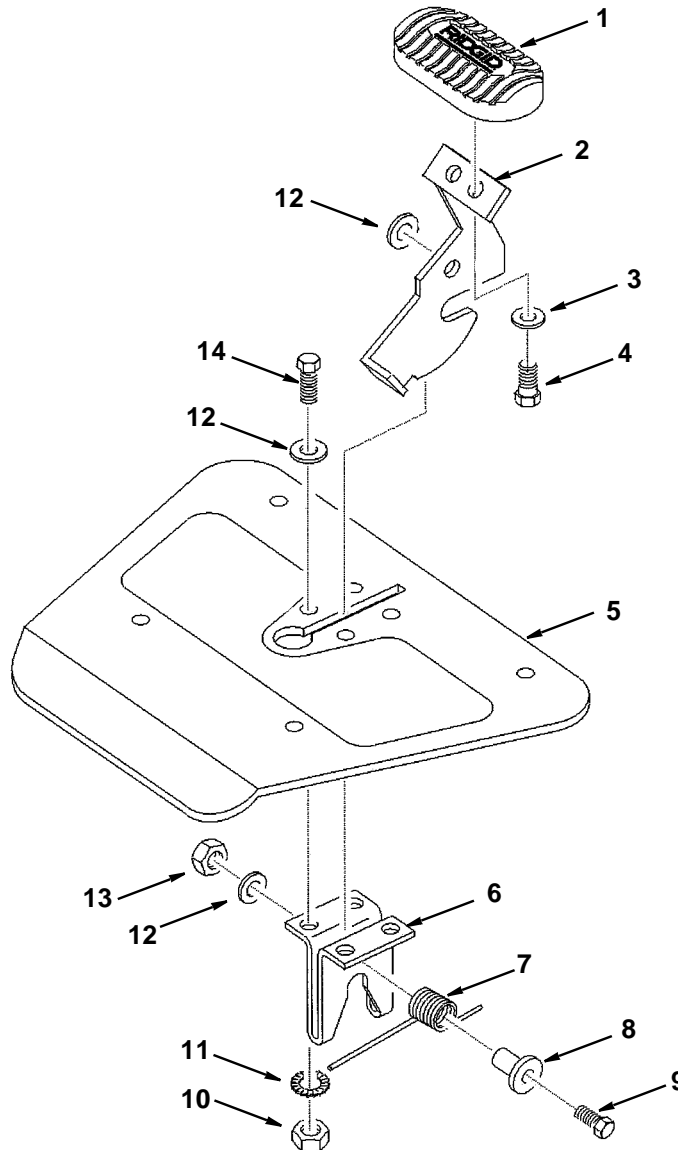
— Items Not Shown

Parts List for RIDGID 10 Inch Table Saw

Model No. TS24241

RIDGID parts are available on-line at www.ridgidparts.com

Figure 10 - Plate Assembly



Always order by Part Number - Not by Key Number

| Key No. | Part No. | Description |
|---------|----------|--------------------------------|
| 1 | 827848 | Foot Pedal |
| 2 | 827847 | Latch Cam |
| 3 | 805550-2 | * Washer 7/32 x 7/16 x 1/16 |
| 4 | 806742 | * Screw Pan Hd Ty AB N10 x 1/2 |
| 5 | 827845 | Plate Foot |
| 6 | 827846 | Bracket Latch |
| 7 | 827832 | Spring Torsion |

| Key No. | Part No. | Description |
|---------|----------|------------------------------|
| 8 | 827833 | Bushing Mandrel |
| 9 | 827849 | Screw Special 1/4-20 x 1-5/8 |
| 10 | 115120 | * Nut Hex 1/4-20 |
| 11 | 114604 | * Lockwasher 1/4 |
| 12 | 147579 | * Washer 1/4 x 9/16 x 1/16 |
| 13 | 60246 | Nut Lock 1/4-20 |
| 14 | 179793 | * Screw Hex Hd 1/4-20 x 5/8 |

* Standard Hardware Item - May be purchased locally.