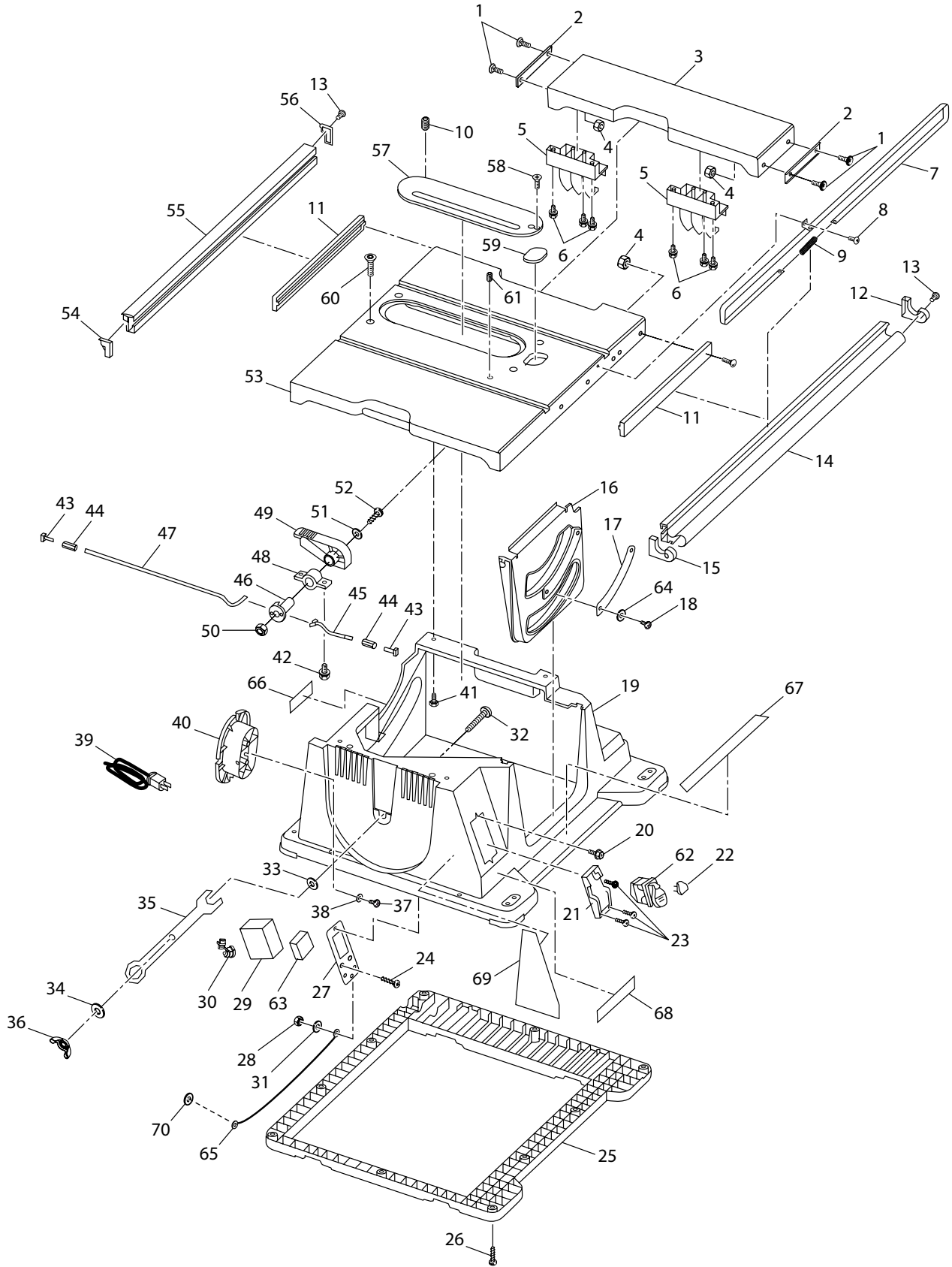


FIGURE A





The model number will be found on a plate attached to the cabinet. Always mention the model number in all correspondence regarding your **TABLE SAW** or when ordering repair parts.

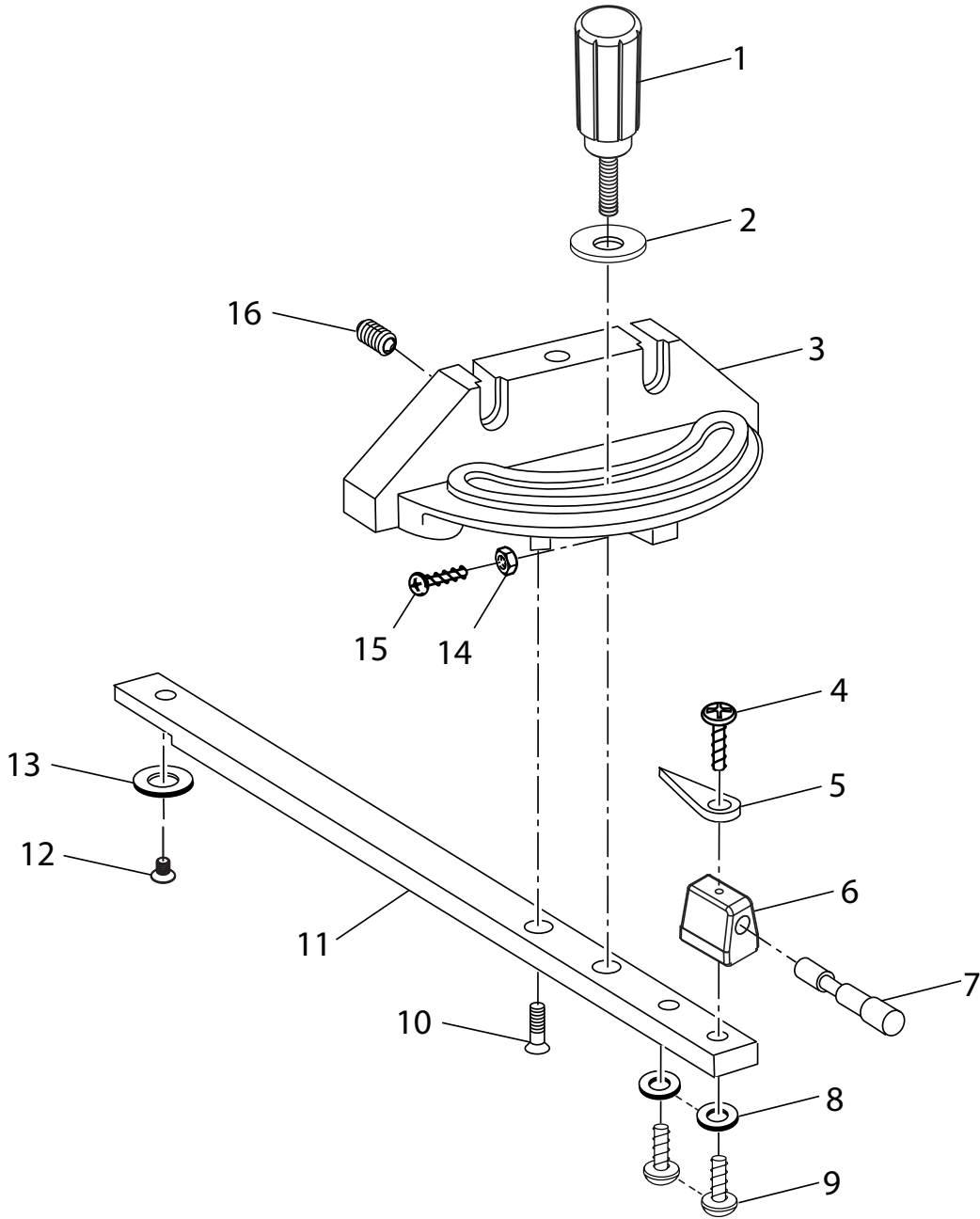
TS2410LS

PARTS LIST FOR FIGURE A

Key Part No.	Key Part Number	Description	Qty.	Key Part No.	Key Part Number	Description	Qty.
1	126317	* CARRIAGE BOLT (1/4-20 X 1 in.)	12	37	808380-17	* SCREW (#10-14 X 3/4 in.)	3
2	827518	EXTENSION RAIL MOUNT	2	38	805550-5	* WASHER (7/32 X 5/8 X 1/16)	1
3	827545	TABLE EXTENSION	1	39	830405	POWER CORD W/PLUG	1
4	73352	* HEX NUT FLANGE (1/4-20)	12	40	830406	CORD WRAP	1
5	827478	FENCE CLIP	2	41	274622	* SCREW (1/4-20 X 1 in., Hex Hd.)	4
6	159572-146	* SCREW (10-32 X 7/8 in., Hex Hd. Washer)	6	42	821521	* SCREW (1/4-20 X 1/2 in., Hex Hd. Shoulder)	2
7	830397	RIP SCALE	1	43	827463	* T-BOLT (1/4-20)	2
8	809813-1	* SCREW (6-32 X 1/2 in., Pan Hd.)	1	44	827482	COUPLING (1/4-20)	2
9	827872	RIP SCALE SPRING	1	45	827515	FRONT LOCKING LINK	1
10	104879	* SET SCREW (10-32 X 5/16 in.)	4	46	827523	LINKAGE PIVOT	1
11	827533	RAIL SLIDER	2	47	827515-1	REAR LOCKING LINK	1
12	830345	END CAP (Right Front)	1	48	830377	RAIL LOCK BEARING	1
13	448013	* SCREW (#8 X 1/2 in., Pan Hd.)	6	49	827514	TABLE EXTENSION LOCK LEVER	1
14	830378	FRONT RAIL	1	50	274205	* LOCK NUT (1/4-20)	1
15	830396	END CAP (Left Front)	1	51	805552	* WASHER (17/64 in. X 5/8 in. X 1/16 in.)	1
16	827497	FRONT PANEL	1	52	813051-5	* SCREW (1/4-20 X 2-3/4 in., Pan Hd.)	1
17	080037002607	BEVEL SCALE	1	53	830376	SAW TABLE	1
18	808380-2	* SCREW (#8 X 3/8 in., Pan Hd.)	2	54	827645	END CAP (Left Rear)	1
19	080037002606	BASE WITH LABELS	1	55	827525	REAR RAIL	1
20	9420474	* SCREW (10-32 X 1/2 in., Hex Hd. Washer)	2	56	827470	END CAP (Right Rear)	1
21	826395	SWITCH BEZEL	1	57	TH100050	THROAT PLATE	1
22	AC1000	SWITCH KEY	1	58	809374	* SCREW (10-32 X 1 in., Flat Hd.)	1
23	808380-18	* SCREW (6-19 x 1 in.)	3	59	826390	ALIGNMENT DISC IND-I-CUT	1
24	808275-4	* SCREW (8-32 X 3/8 in., Pan Hd.)	2	60	805297-12	* SCREW (5/16-18 X 1 in., Flat Socket Hd.)	4
25	827493	FOOT BASE	1	61	138671	* STOP SCREW (5/16-18 X 5/8 in.)	1
26	808380-5	* SCREW (#8 X 3/4 in., Pan Hd.)	10	62	826347	LOCKING SWITCH	1
27	830399	SWITCH BOX PLATE	1	63	829971-7	CIRCUIT ASSEMBLY	1
28	805475	* HEX NUT (10-32)	1	64	805549-22	* WASHER (13/64 in. X 3/8 in. X 1/32 in.)	2
29	830398	SWITCH BOX	1	65	080037004022	GROUNDING WIRE	1
30	169123-2	STRAIN RELIEF	1	66	080037004905	DATA PLATE LABEL	1
31	138164	* LOCK WASHER (M5)	1	67	864501008	BASE LOGO LABEL	1
32	827925	* CARRIAGE BOLT (1/2-13 X 1-1/2 in.)	1	68	864501001	WARNING LABEL (ENG.)	1
33	827873	* PUSH NUT (1/2 in.)	1	69	864501002	WARNING LABEL (FR./SP.)	1
34	827921	FLAT WASHER	2	70	080037004020	LOCK WASHER (1/4 in.)	1
35	827548	BLADE WRENCH	2				
36	827874	NYLON WING NUT (1/2-13)	1				

* Standard Hardware Item – May Be Purchased Locally

FIGURE B





The model number will be found on a plate attached to the cabinet. Always mention the model number in all correspondence regarding your **TABLE SAW** or when ordering repair parts.

TS2410LS

PARTS LIST FOR FIGURE B

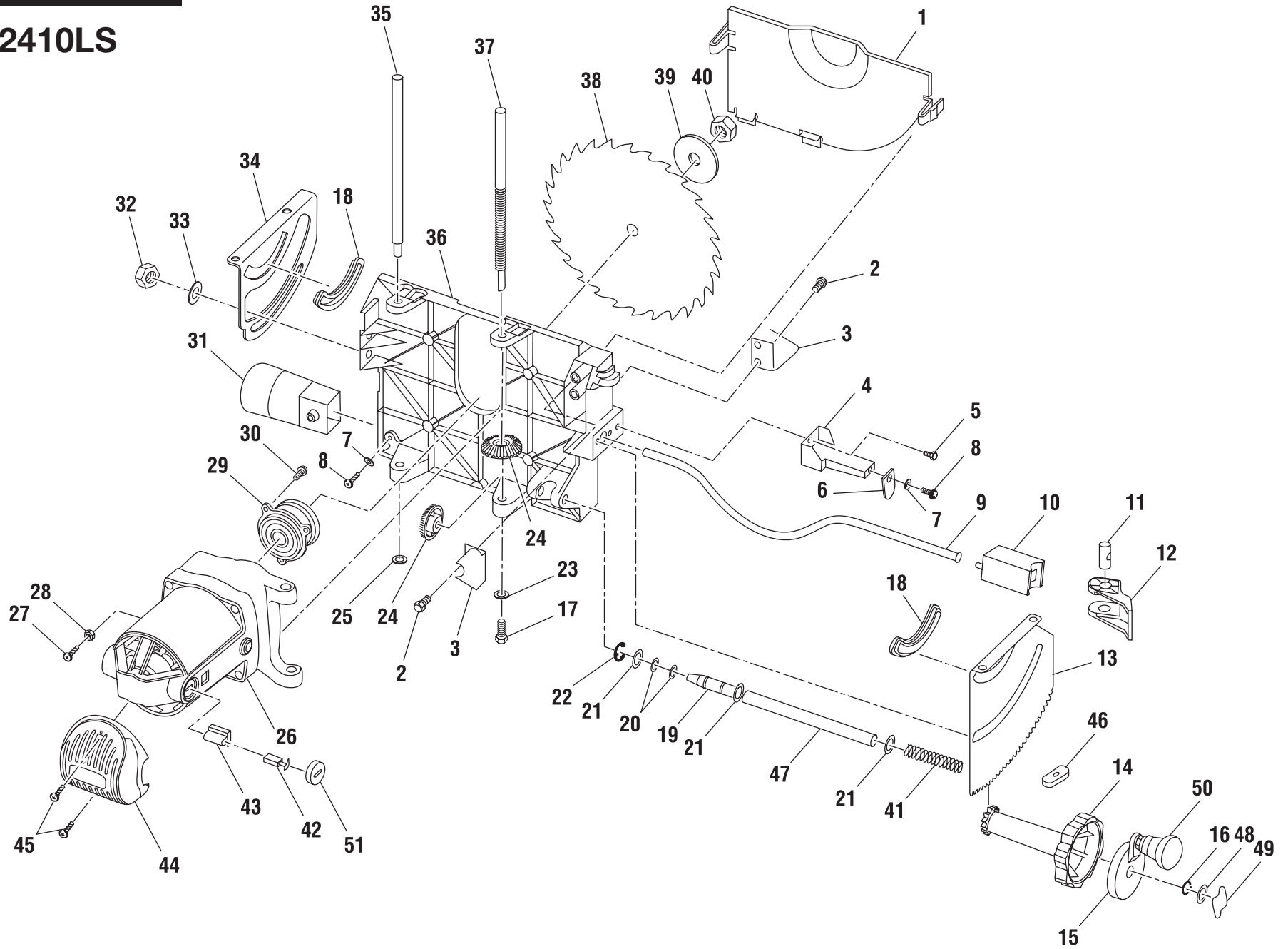
Key No.	Part Number	Description	Qty.
	830338	MITER GAUGE ASSEMBLY.....	1
1	826506-1	LOCK KNOB.....	1
2	821063-5	* WASHER (8 mm X 23 mm X 2 mm).....	1
3	826663	MITER GAUGE BASE.....	1
4	824723-1	* SCREW (8/32 in. X 5/16 in., Pan Hd.).....	1
5	123069-1	INDICATOR.....	1
6	830351	MITER GAUGE INDICATOR BLOCK.....	1
7	830352	MITER INDEX STOP PIN.....	1
8	140755-15	* LOCK WASHER (#8).....	2
9	824723	* SCREW (8-32 X 5/8 in., Pan Hd.).....	2
10	818470-4	* SCREW (M6 X 1.0-20 mm, Flat Hd.).....	1
11	830350	MITER GAUGE ROD.....	1
12	830354	* SCREW (M6 X 9 mm, Flat Hd.).....	1
13	830353	FLAT WASHER.....	1
14	134530	* HEX NUT (6-32).....	1
15	809813-4	* SCREW (6-32 X 5/8 in., Pan Hd.).....	1
16	818471-6	* SET SCREW (M5 X .08-5 mm, Socket).....	1

* Standard Hardware Item – May Be Purchased Locally

RIDGID

TS2410LS

FIGURE C





The model number will be found on a plate attached to the cabinet. Always mention the model number in all correspondence regarding your **TABLE SAW** or when ordering repair parts.

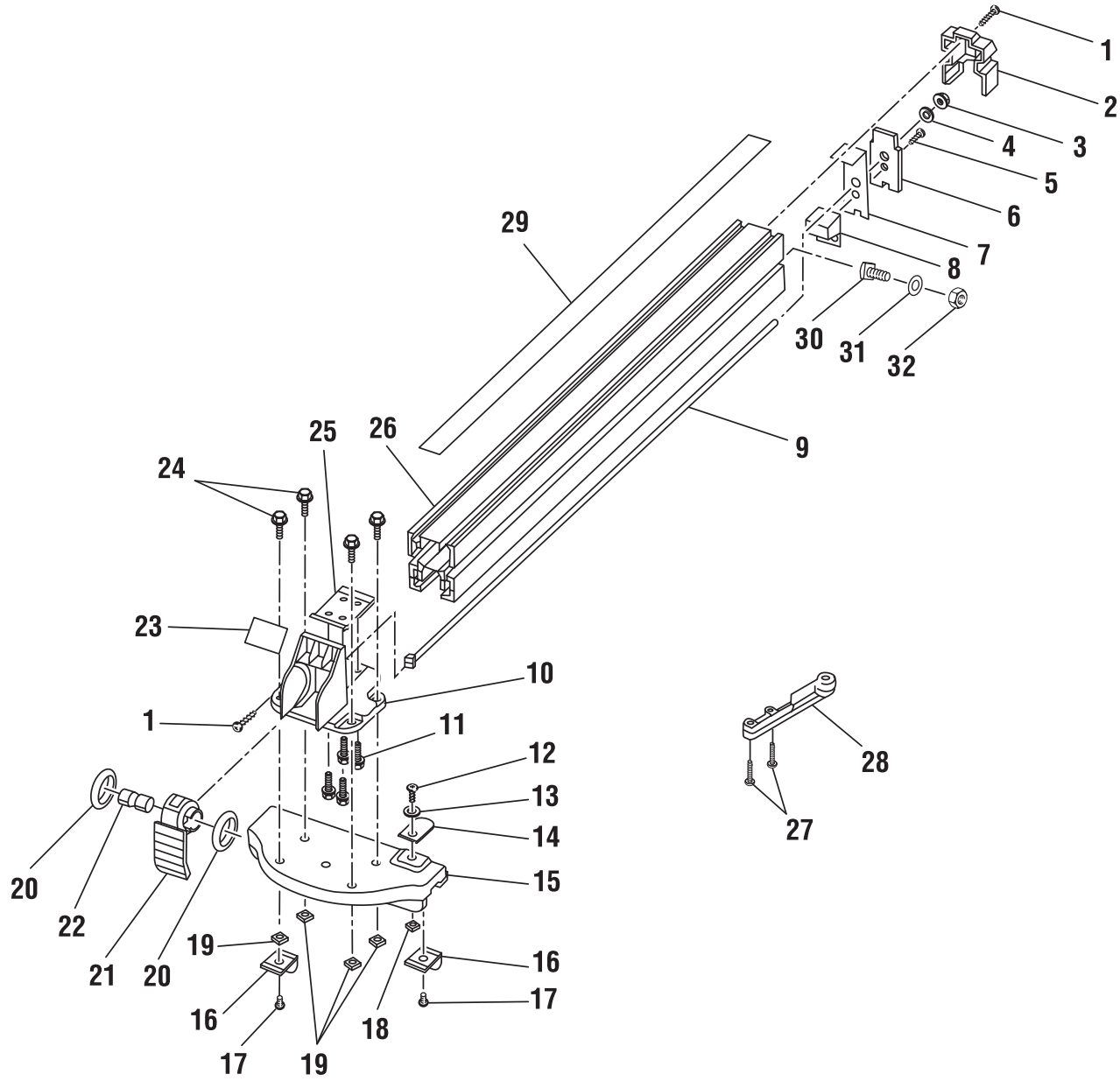
TS2410LS

PARTS LIST FOR FIGURE C

Key No.	Part Number	Description	Qty.	Key No.	Part Number	Description	Qty.
1	827483	BLADE COVER.....	1	26	830381	MOTOR ASSEMBLY.....	1
2	370625	* SCREW (1/4-20 X 1/2 in., Hex Hd. Washer).....	2	27	827863	* SET SCREW (M5 x 0.8 x 20L).....	1
3	827619	BEVEL STOP PLATE.....	2	28	827864	* HEX NUT (M5 x 0.8P).....	1
4	827540	BEVEL SUPPORT INDICATOR.....	1	29	830412	ARBOR ASSEMBLY.....	1
5	141594-46	* SCREW (1/4-20 X 5/8 in., Socket Cap).....	1	30	020704005	* SCREW (M5 x 0.8 x 15 + S-Washer).....	3
6	824334-1	BEVEL INDICATOR.....	1	31	827476	DUST GUIDE.....	1
7	805550-5	* WASHER (7/32 in. X 5/8 in. X 1/16 in.).....	2	32	60249	LOCK NUT (3/8-16).....	1
8	808380-17	* SCREW (10-14 x 3/4 in.).....	2	33	60014	* WASHER (.380 in. X 47/64 in. X 3/32 in.).....	1
9	827459	LOCKING BAR.....	1	34	827520	REAR MOUNT.....	1
10	827862	BEVEL CLAMP ASSEMBLY.....	1	35	827531	GUIDE SHAFT.....	1
11	827522	BEVEL PIVOT LOCK.....	1	36	830380	CRADLE.....	1
12	827500	BEVEL LOCKING LEVER.....	1	37	827529	ELEVATION SHAFT.....	1
13	827519	FRONT MOUNT.....	1	38	830394	* BLADE (10 in./28T Carbide Tipped).....	1
14	830390	HEIGHT/BEVEL ADJUSTING HANDWHEEL ASSEMBLY.....	1	39	827465	OUTER BLADE WASHER.....	1
15	830391	ELEVATION HANDLE ASSEMBLY.....	1	40	6362	HEX NUT.....	1
16	37937	* WASHER (17/64 in. X 5/8 in. X 1/32 in.).....	1	41	830386	SPRING.....	1
17	809372-7	* SCREW (10-32 X 5/8 in., Pan Hd.).....	1	42	816768	BRUSH ASSEMBLY.....	2
18	827467	TRUNNION BUSHING.....	2	43	826017	BRUSH HOLDER ASSEMBLY.....	2
19	829971-9	ELEVATION CRANK SHAFT W/O RINGS.....	1	44	828064	REAR MOTOR COVER.....	1
20	821421-11	* O-RING (3/8 in. X 1/16 in.).....	2	45	828122-1	* SCREW (M4 X 16-10 in., Pan Hd.).....	2
21	805561-4	* WASHER (0.505 in. X 13/16 in. X 1/32 in.).....	3	46	809398	WELD NUT.....	4
22	805641-4	* RETAINING RING (E10).....	1	47	830385	ELEVATION LOCK SPACER.....	1
23	60136	* WASHER (13/64 in. X 5/8 in. X 1/32 in.).....	1	48	60415	SPRING WASHER.....	1
24	827496	ELEVATION GEAR.....	2	49	830393	BLADE HEIGHT LOCK KNOB.....	1
25	802612-8	* PUSH NUT (3/8 in.).....	1	50	830392	SWIVEL KNOB.....	1
				51	830250	BRUSH CAP.....	2

* Standard Hardware Item – May Be Purchased Locally

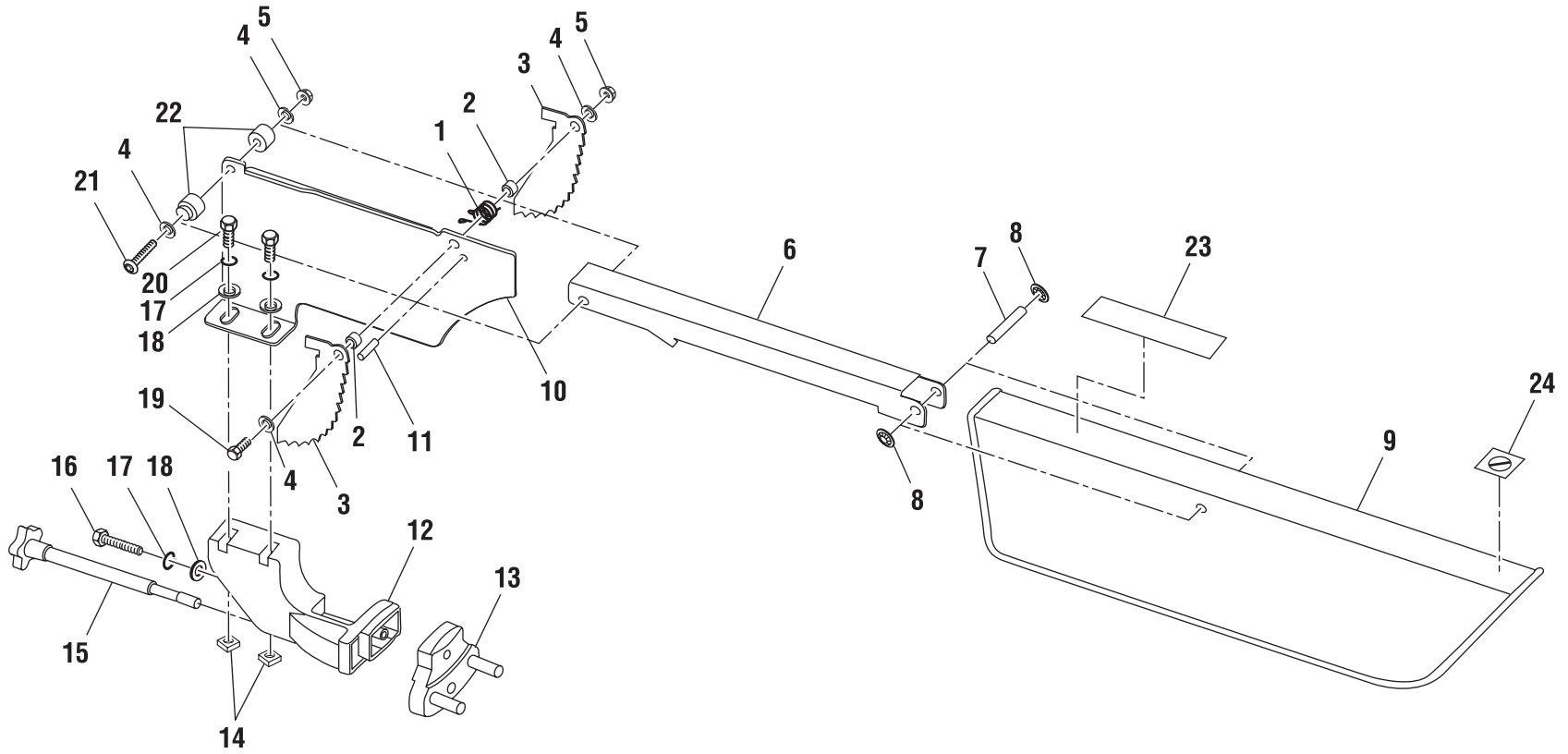
FIGURE D



RIDGID

TS2410LS

FIGURE E



10



The model number will be found on a plate attached to the cabinet. Always mention the model number in all correspondence regarding your **TABLE SAW** or when ordering repair parts.

TS2410LS

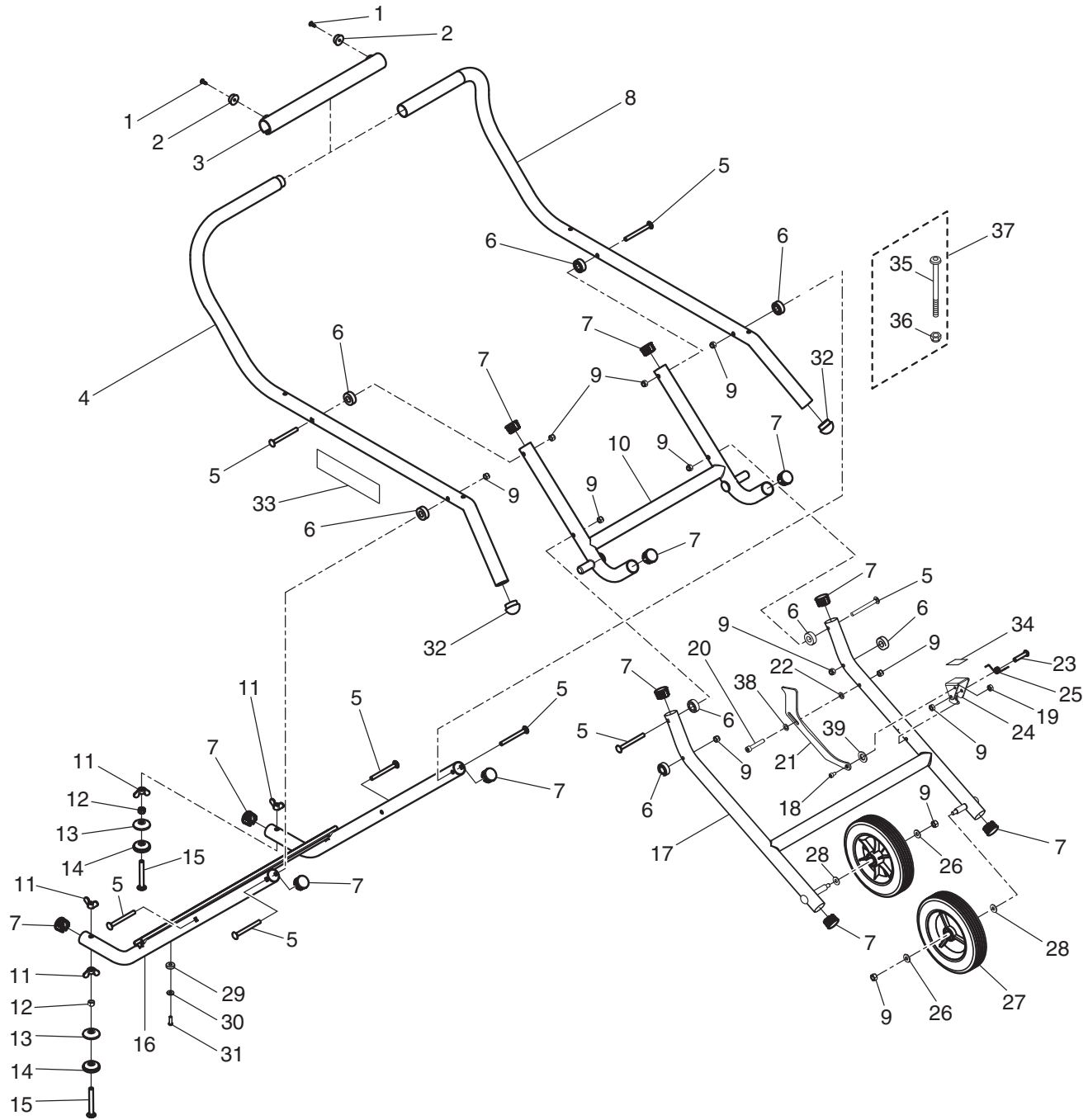
PARTS LIST FOR FIGURE E

Key No.	Part Number	Description	Qty.	Key No.	Part Number	Description	Qty.
	827499	BLADE GUARD ASSEMBLY, COMPLETE.....	1	14	62636	* SQUARE NUT (1/4-20).....	2
1	62519	ANTI-KICKBACK PAWL SPRING.....	1	15	827511	BLADE GUARD LOCKING KNOB.....	1
2	827646	ANTI-KICKBACK PAWL SPACER.....	2	16	805461-7	* SCREW (1/4-20 X 1 in., Hex Hd.).....	1
3	827648-1	ANTI-KICKBACK PAWL.....	2	17	114604	* LOCK WASHER (1/4 in.).....	3
4	805549	* WASHER (13/64 in. X 9/16 in. X 1/32 in.).....	4	18	37937	* WASHER (17/64 in. X 5/8 in. X 1/32 in.).....	3
5	60012	* LOCK NUT (10-32).....	2	19	806214-3	* SCREW (10-32 X 7/8 in., Socket Cap).....	1
6	827649-1	GUARD SUPPORT.....	1	20	179793	* BOLT (1/4-20 X 5/8 in., Hex Hd.).....	2
7	62390	* PIN (1/4 X 1-3/4 in.).....	1	21	806214-4	* SCREW (10-32 X 1-1/2 in., Socket Cap).....	1
8	802612	* PUSH PIN (1/4 in.).....	2	22	827647	SUPPORT SPACER.....	2
9	826466	BLADE GUARD.....	1	23	864501006	BLADE GUARD WARNING LABEL.....	1
10	827536	SPREADER.....	1	24	864501009	NO HANDS LABEL.....	1
11	803422-163	* ROLL PIN (3/16 in. X 15/16 in.).....	1		987000213	OPERATOR'S MANUAL	
12	827541	TRUNNION.....	1				
13	827877	SPREADER MOUNT ASSEMBLY.....	1				

11

* Standard Hardware Item – May Be Purchased Locally

FIGURE F





The model number will be found on a plate attached to the cabinet. Always mention the model number in all correspondence regarding your **TABLE SAW** or when ordering repair parts.

TS2410LS

PARTS LIST FOR FIGURE F

Key No.	Part Number	Description	Qty.	Key No.	Part Number	Description	Qty.
1	410191013	* BOLT (M5 x 16 mm)	2	24	080037004013	RELEASE PEDAL	1
2	080037004001	PAD	2	25	0182010901	TORSION SPRING	1
3	080037004002	LINKAGE TUBE.....	1	26	080037004014	* WASHER (M8.5 x 18 x 1.6t)	2
4	080037004003	RIGHT MAIN TUBE	1	27	080037004015	WHEEL (8 in.)	2
5	080037004004	* CARRIAGE BOLT (M8 x 82 mm)	8	28	412011088	* WASHER (M13 x 32 x 1.5t)	2
6	080037004005	RING.....	8	29	0161010201	BUMPER (M34 x 8.4 x 14)	2
7	080037004006	PLUG.....	12	30	412011020	* WASHER (M5.2 x 14 x 1t)	2
8	080037004007	LEFT MAIN TUBE.....	1	31	410171706	* SCREW (10-24 x 1/2 in.)	2
9	080037004018	* LOCK NUT (M8)	12	32	080037004019	CAP	2
10	080037004008	BRACE	1	33	080037004900	LOGO LABEL	1
11	411171703	* WING NUT (3/8 in.).....	4	34	080037004901	LOCK LABEL.....	1
12	411061704	* LOCK NUT (3/8 in.)	2	35	080037004016	* BOLT (M6 x 105 mm HEX SOC. RD. HD.).....	4
13	080037004009	COVER PLATE.....	2	36	080037004017	* LOCK NUT (M6)	4
14	0182011301	FOOT PLUG	2	37	080037004902	MOUNTING BOLT PACKAGE (INC. KEY NOS. 35-36)	1
15	0182010802	* SCREW (3/8 x 85 mm)	2	38	412011065	* WASHER (M8.2 x 16 x 0.8t)	1
16	080037004700	LEVELING LEG ASSEMBLY	1	39	080053001006	* WASHER (M6.5 x 16 x 1t)	1
17	080037004701	WHEEL LEG ASSEMBLY	1	40	080037004702	LEG STAND ASSEMBLY (INC. KEY NOS 1-36,37 & 39)	1
18	410151010	* SCREW (M6 x 15 mm HEX SOC. HD.).....	1		987000213	OPERATOR'S MANUAL (NOT SHOWN)	
19	411071001	* HEX NUT (M6)	1		11-01-07		
20	080037004039	* SCREW (M8 x 50 mm)	1		(REV:00)		
21	080037004011	LOCKING PLATE.....	1				
22	080037004040	* WASHER (M8.2 x 23 x 4t)	1				
23	080037004012	* BOLT (M8 x 55 mm HEX SOC. RD. HD.).....	1				